



US00D335749S

United States Patent [19] Brittain

[11] Patent Number: **Des. 335,749**

[45] Date of Patent: **** May 18, 1993**

[54] MAIL BOX STAND

[76] Inventor: **Joe R. Brittain, 8822 Merritt Rd., Rowlett, Tex. 75088**

[**] Term: **14 Years**

[21] Appl. No.: **703,336**

[22] Filed: **May 21, 1991**

D. 282,136 1/1986 Skermetta D6/675
4,403,730 9/1983 Batson 232/39

Primary Examiner—Alan P. Douglas
Assistant Examiner—Jeffrey H. Musgrove
Attorney, Agent, or Firm—Daniel Rubin

[57] CLAIM

The ornamental design of a mail box stand, as shown and described.

DESCRIPTION

FIG. 1 is a front perspective view thereof;
FIG. 2 is a front elevation view thereof;
FIG. 3 is a first side elevational view thereof;
FIG. 4 is a top plan view thereof;
FIG. 5 is a bottom plan view thereof;
FIG. 6 is a rear elevational view thereof; and,
FIG. 7 is a second side elevational view thereof.
The broken line showing of the mailbox in FIG. 1 is for illustrative purposes only and forms no part of the claimed design.

Related U.S. Application Data

[63] Continuation-in-part of Ser. No. 690,234, Apr. 23, 1991.

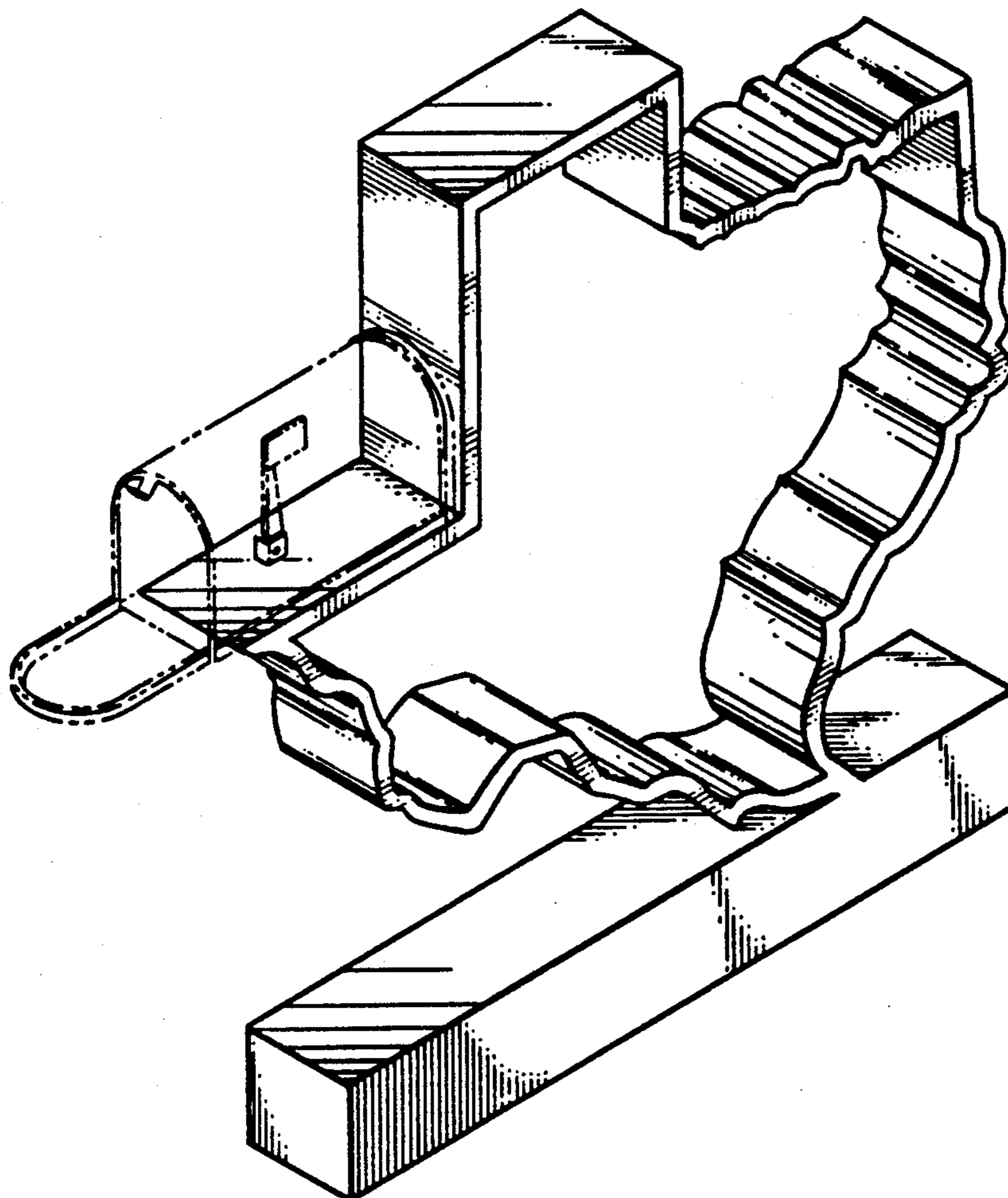
[52] U.S. Cl. **D99/32**

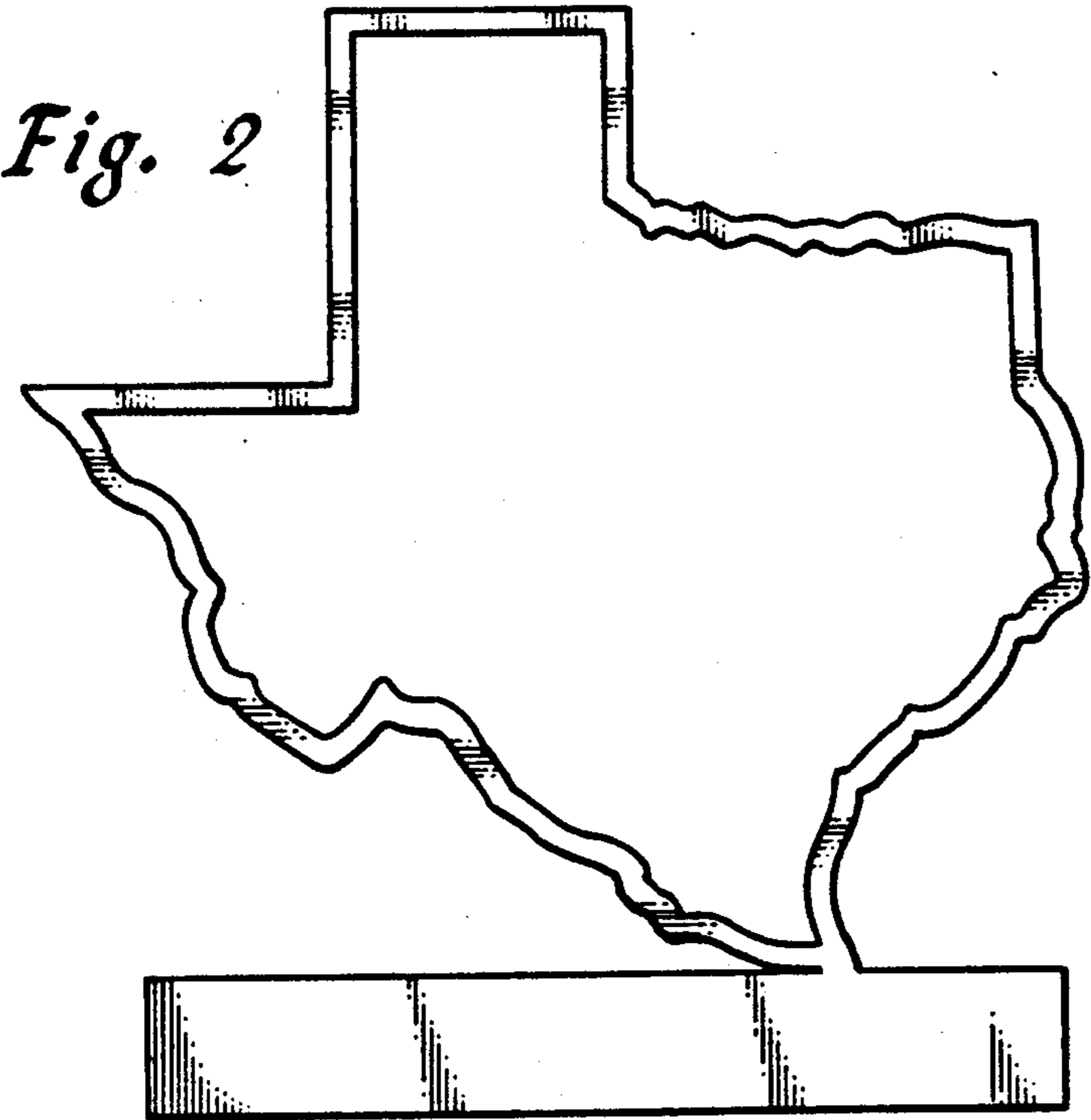
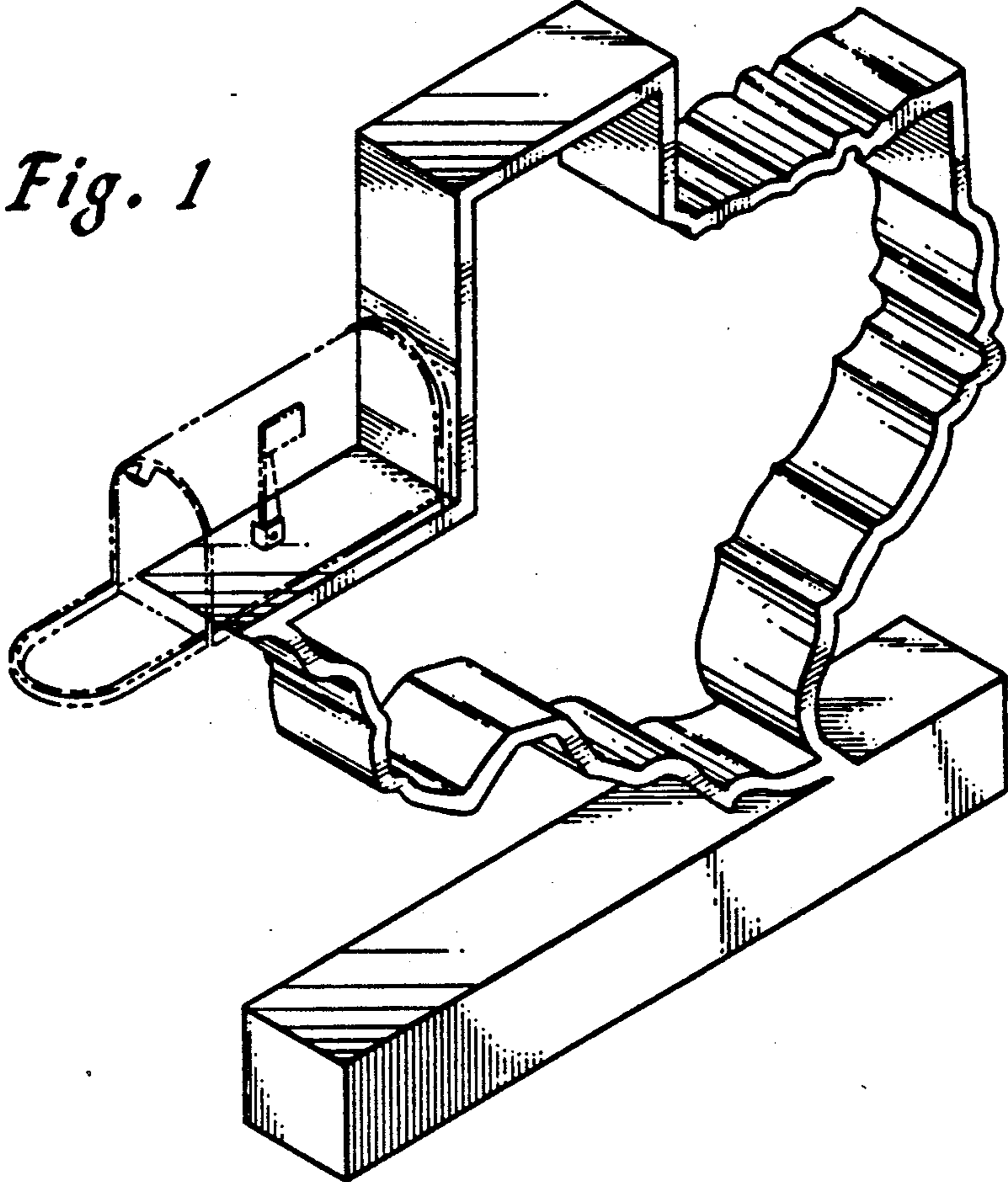
[58] Field of Search **D99/32; 248/146; 232/10, 39**

References Cited

U.S. PATENT DOCUMENTS

D. 270,121 8/1983 Brown D6/114





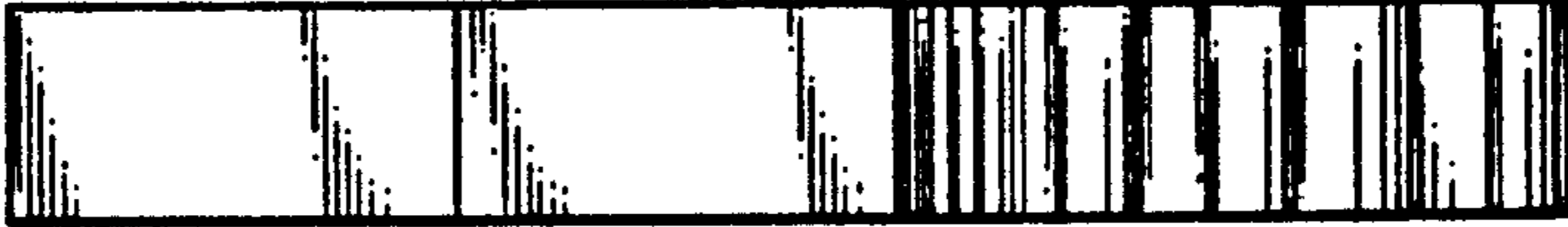


Fig. 4



Fig. 5

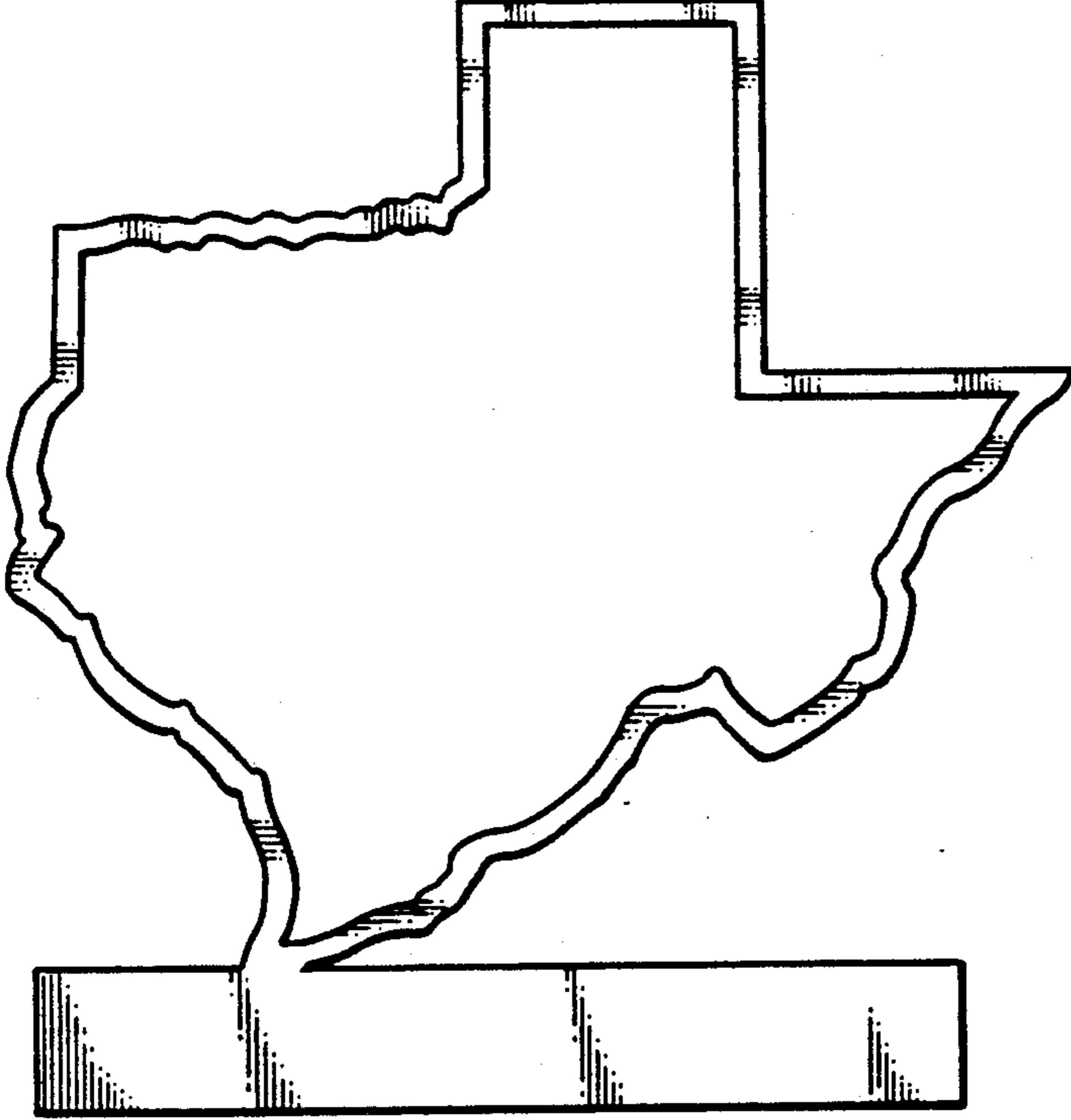


Fig. 6



Fig. 7