



US00D335748S

United States Patent [19]

[11] Patent Number: **Des. 335,748**

Suzuki

[45] Date of Patent: **** May 18, 1993**

[54] SAVING BOX

5,074,819 12/1991 Stadnyk 446/9

[75] Inventor: **Tooru Suzuki, Tokyo, Japan**

Primary Examiner—Alan P. Douglas

[73] Assignee: **Tenyo Co., Ltd., Tokyo, Japan**

Assistant Examiner—J. H. Musgrove

[**] Term: **14 Years**

Attorney, Agent, or Firm—Sixbey, Friedman, Leedom & Ferguson

[21] Appl. No.: **925,641**

[57] **CLAIM**

[22] Filed: **Aug. 7, 1992**

The ornamental design for a saving box, as shown.

[30] **Foreign Application Priority Data**

DESCRIPTION

Apr. 27, 1992 [JP] Japan 4-12234

[52] U.S. Cl. **D99/34**

[58] Field of Search D99/34, 35; 232/1 E, 232/1 D, 1 A; 446/8, 9; 206/457

FIG. 1 is a front view showing a saving box according to my new design;

FIG. 2 is a right side elevational view thereof;

FIG. 3 is a top plan view thereof;

FIG. 4 is a bottom view thereof;

FIG. 5 is a left side elevational view thereof;

FIG. 6 is a rear view thereof;

FIG. 7 is a sectional view taken along the line A—A in FIG. 1;

FIG. 8 is a sectional view taken along the line B—B in FIG. 1; and,

FIG. 9 is a perspective view thereof.

[56] **References Cited**

U.S. PATENT DOCUMENTS

3,143,285 8/1964 Fulton 446/8

4,673,368 6/1987 Bush 446/8

4,967,953 11/1990 Sugawara .

5,055,079 10/1991 Hobson et al. 446/8

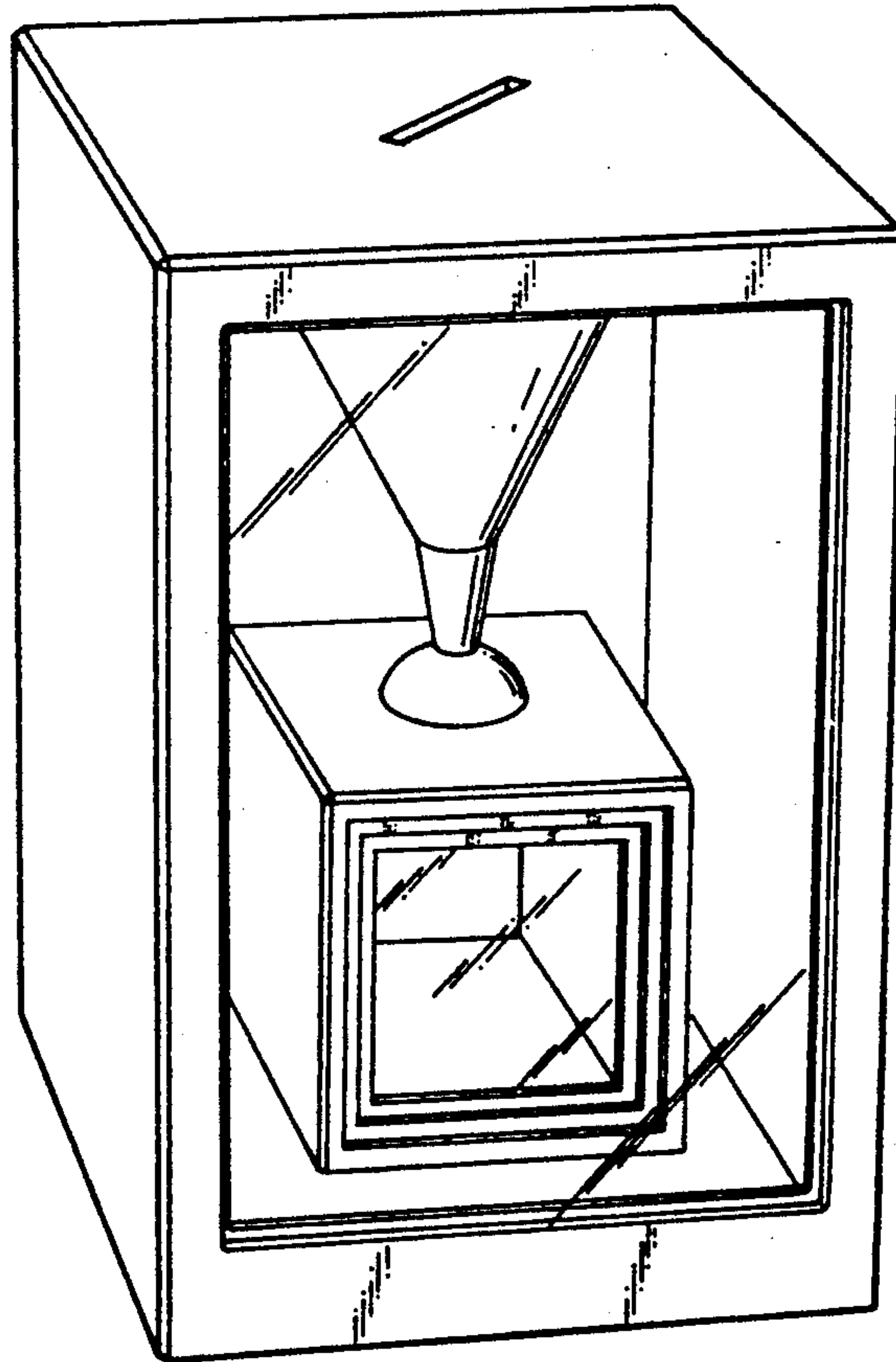


FIG. 1

7-1

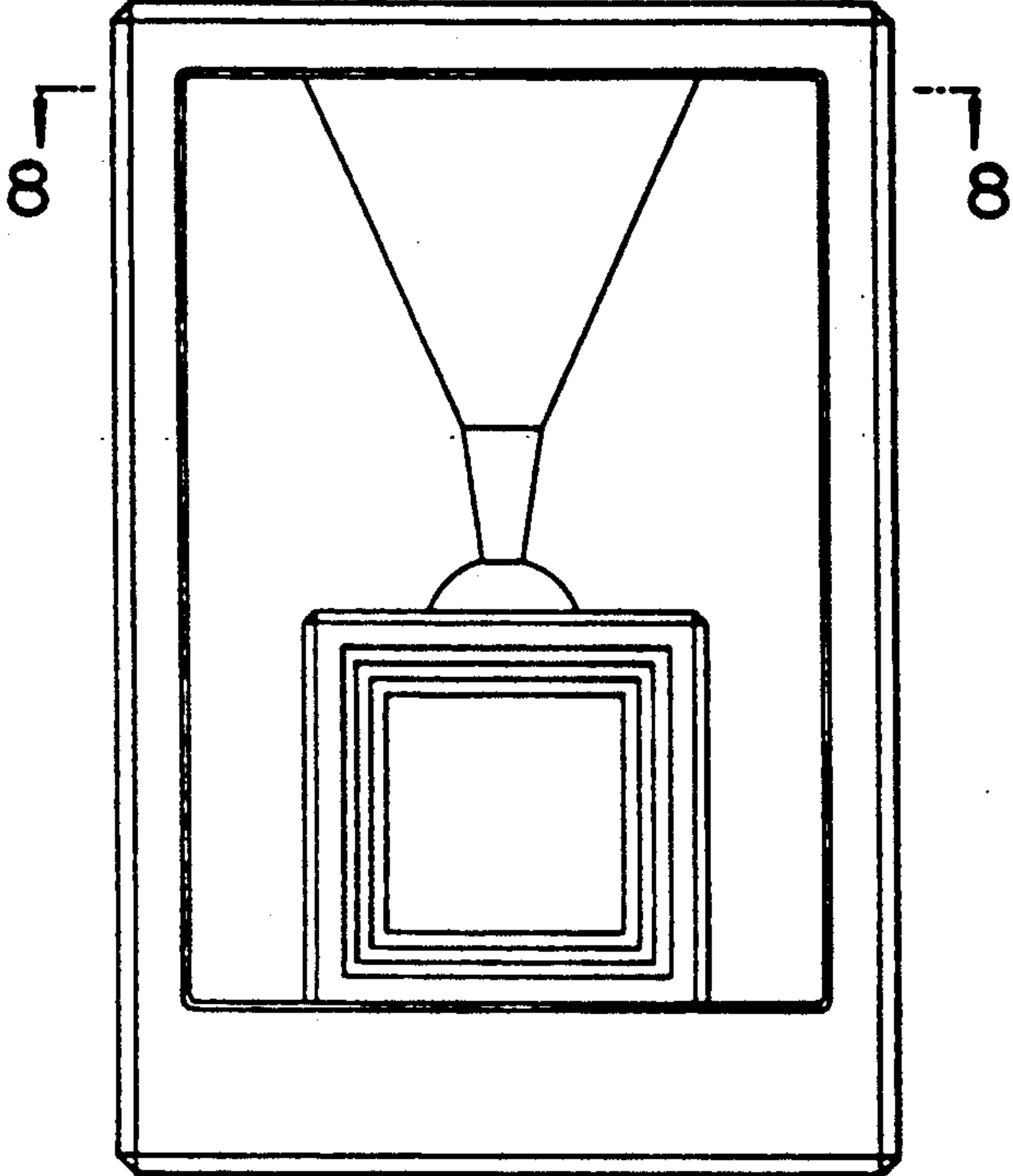


FIG. 2

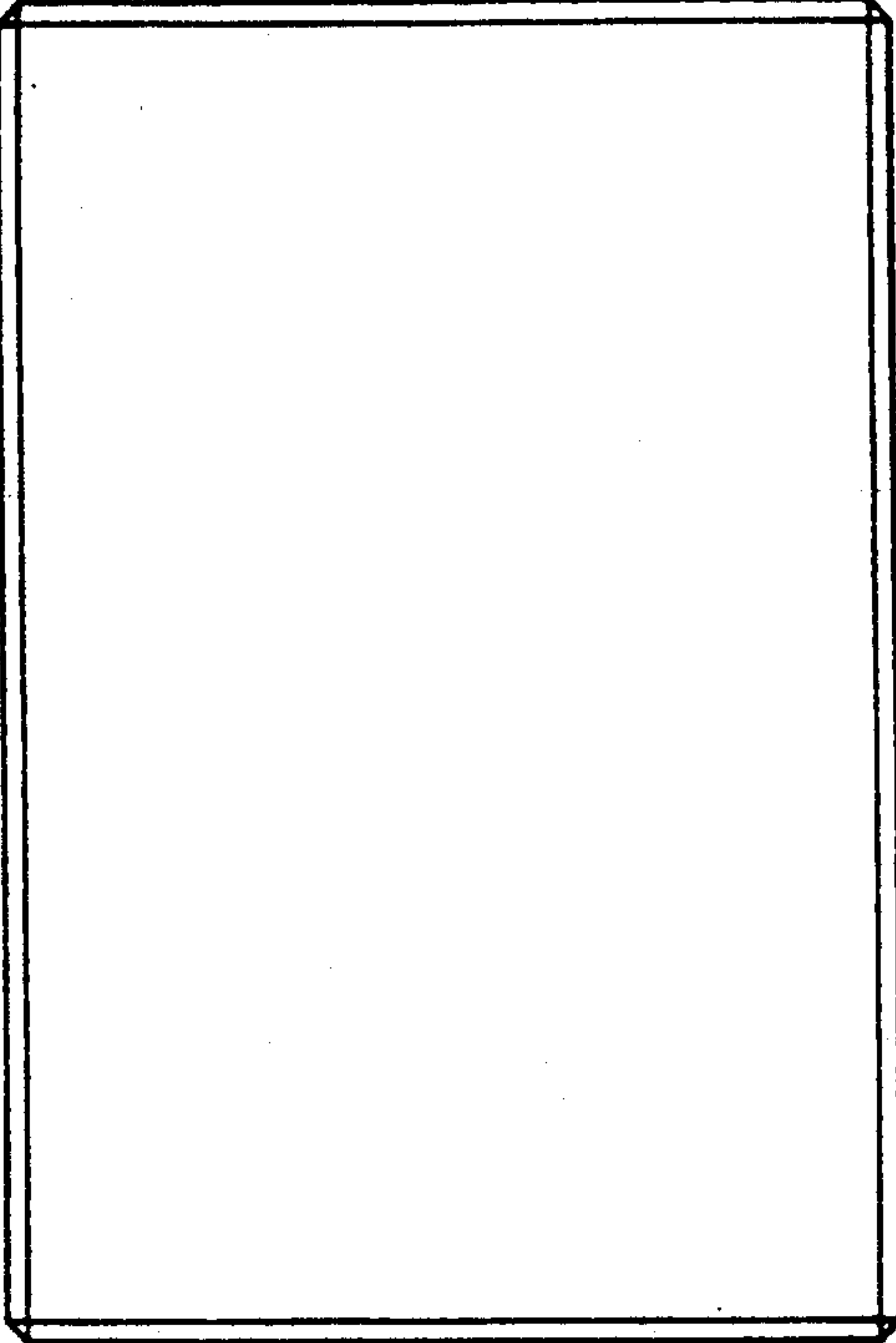


FIG. 3

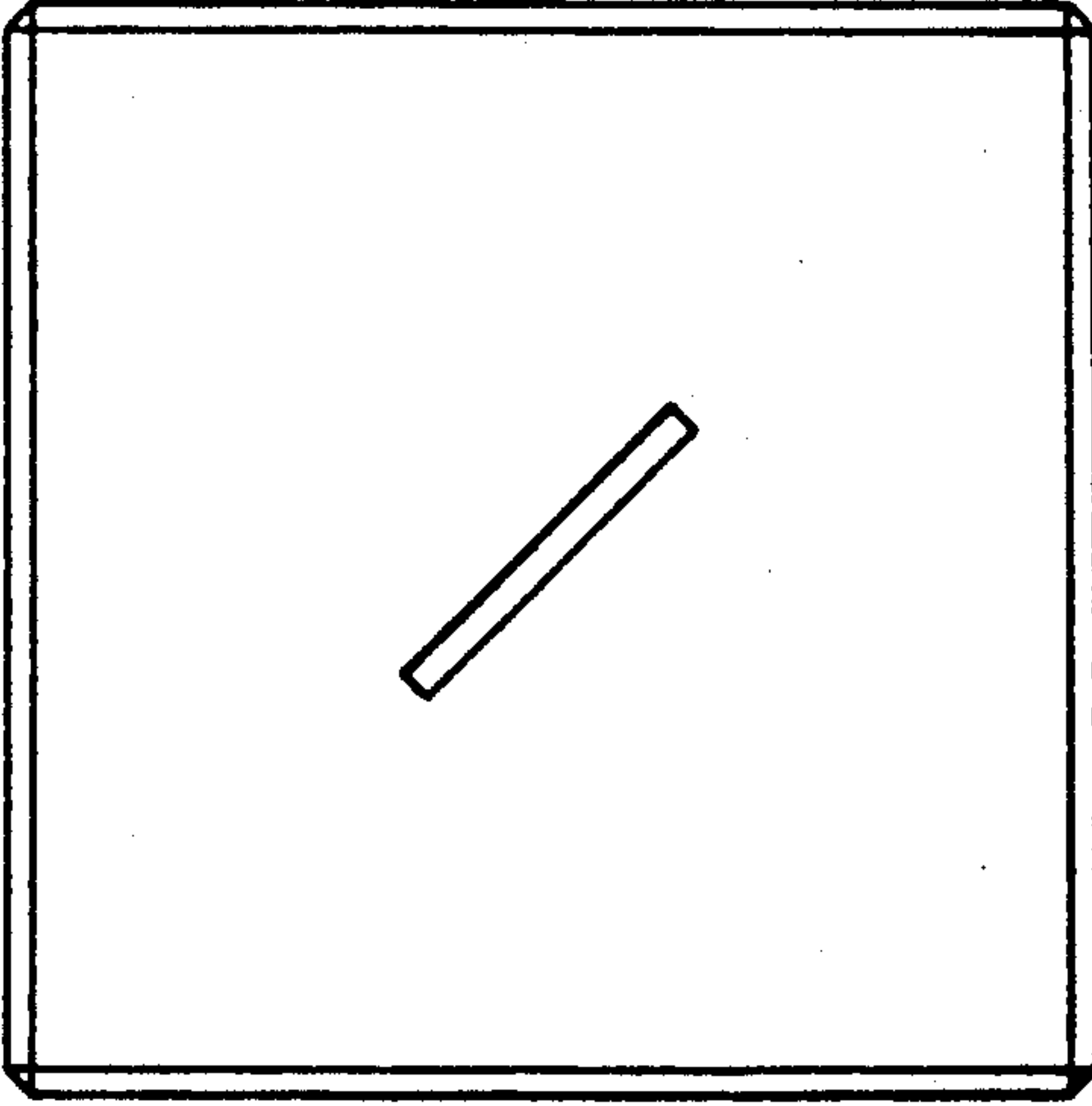


FIG. 4

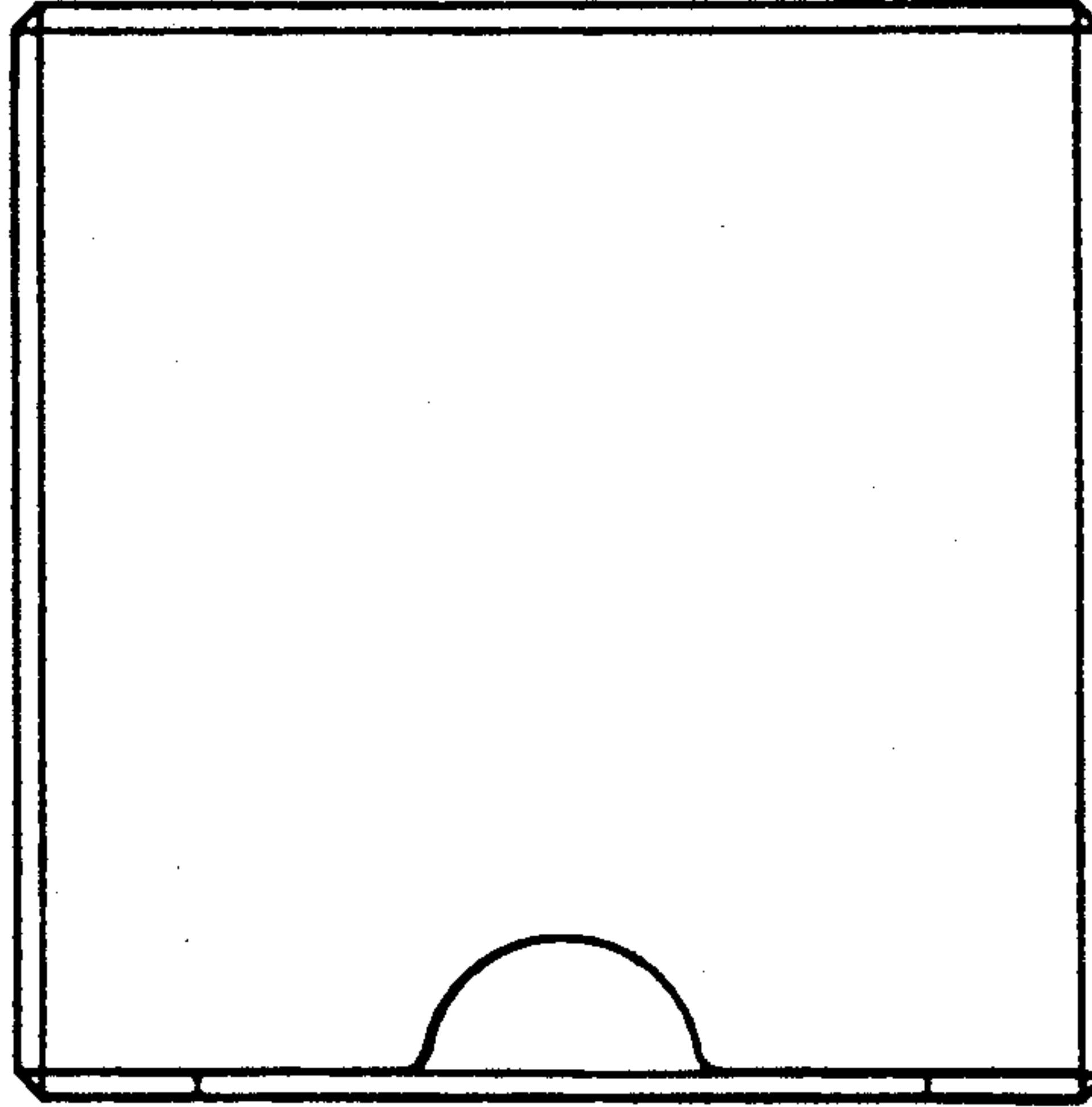


FIG. 5

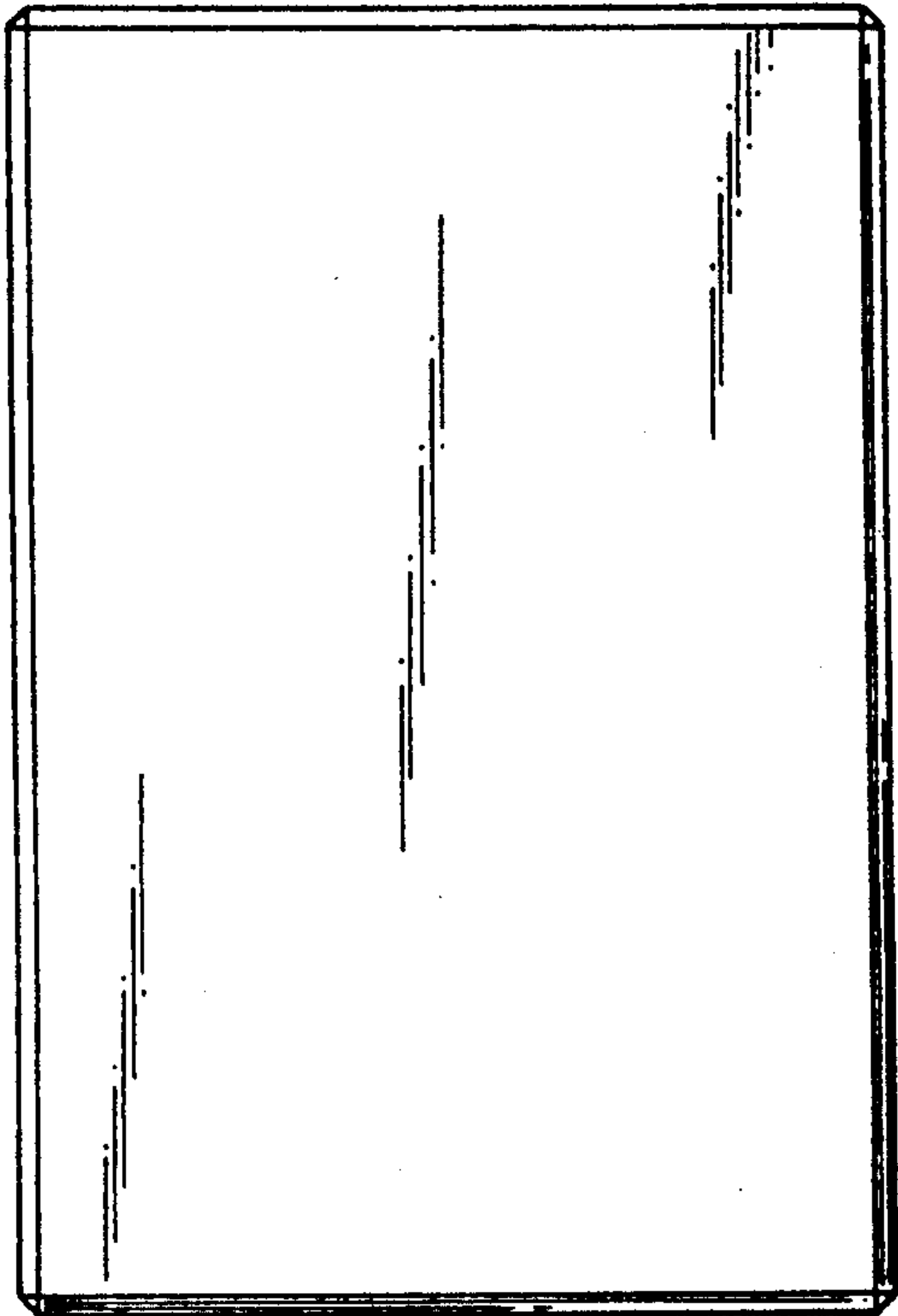


FIG. 6

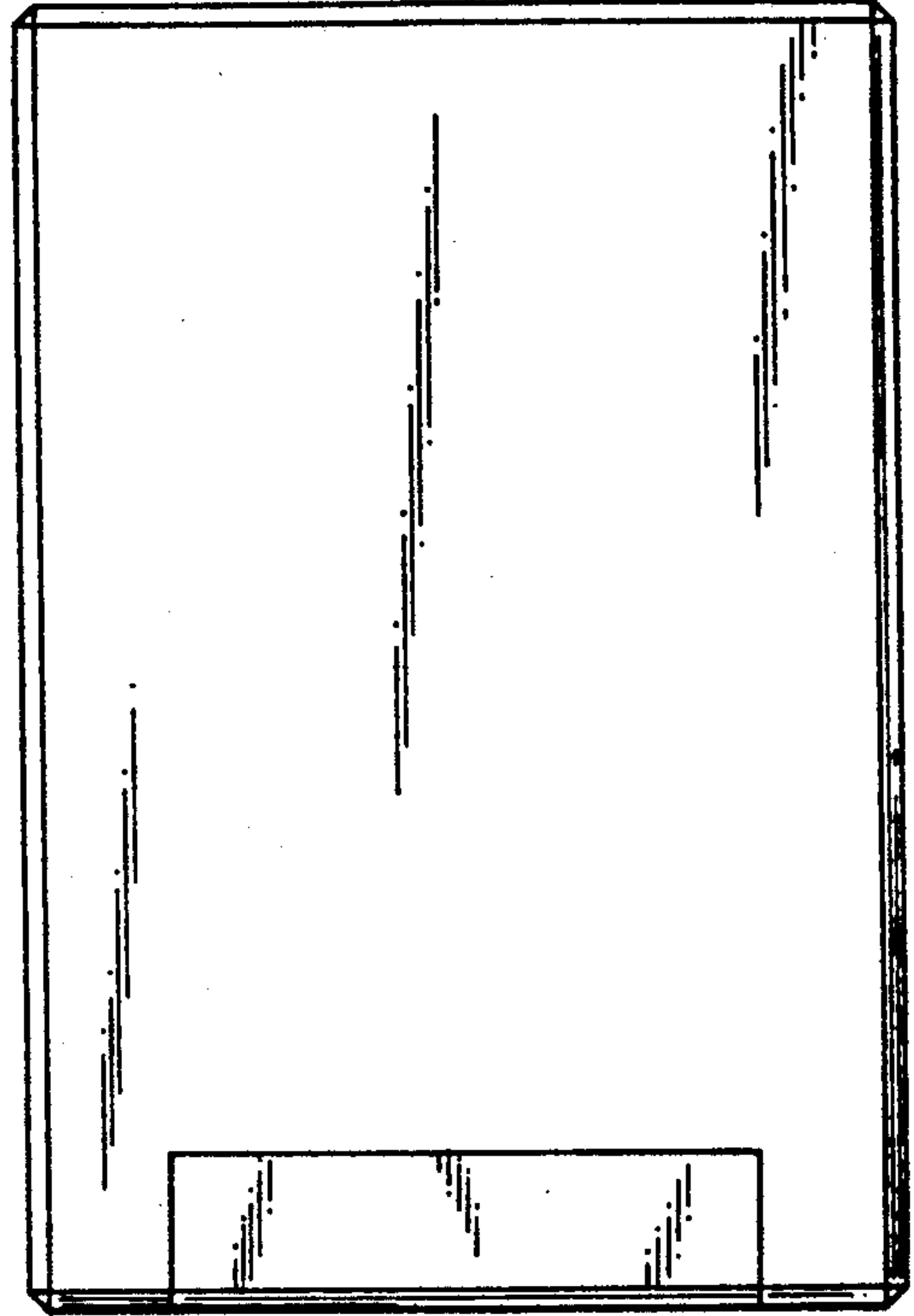


FIG. 7

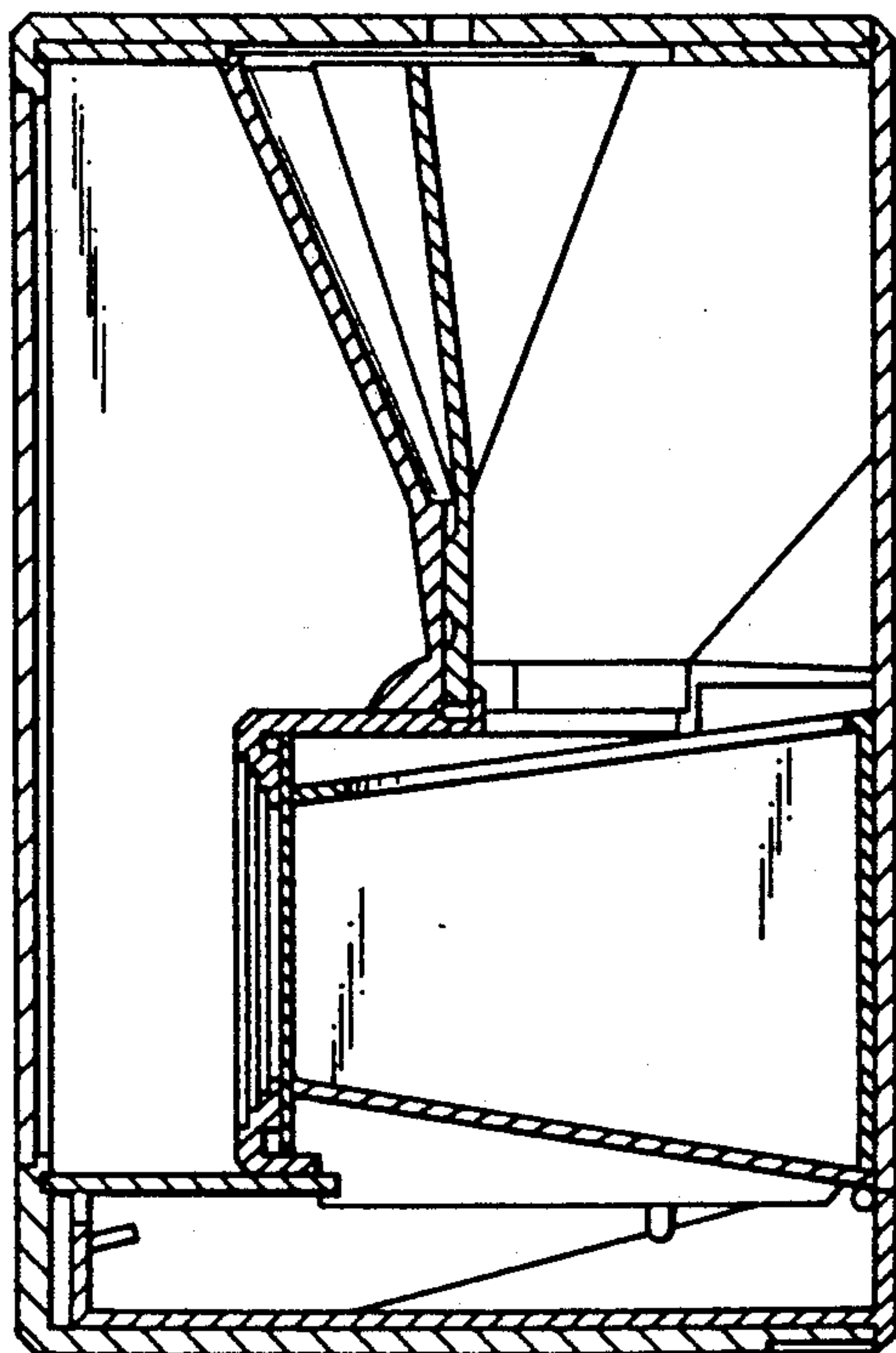


FIG. 8

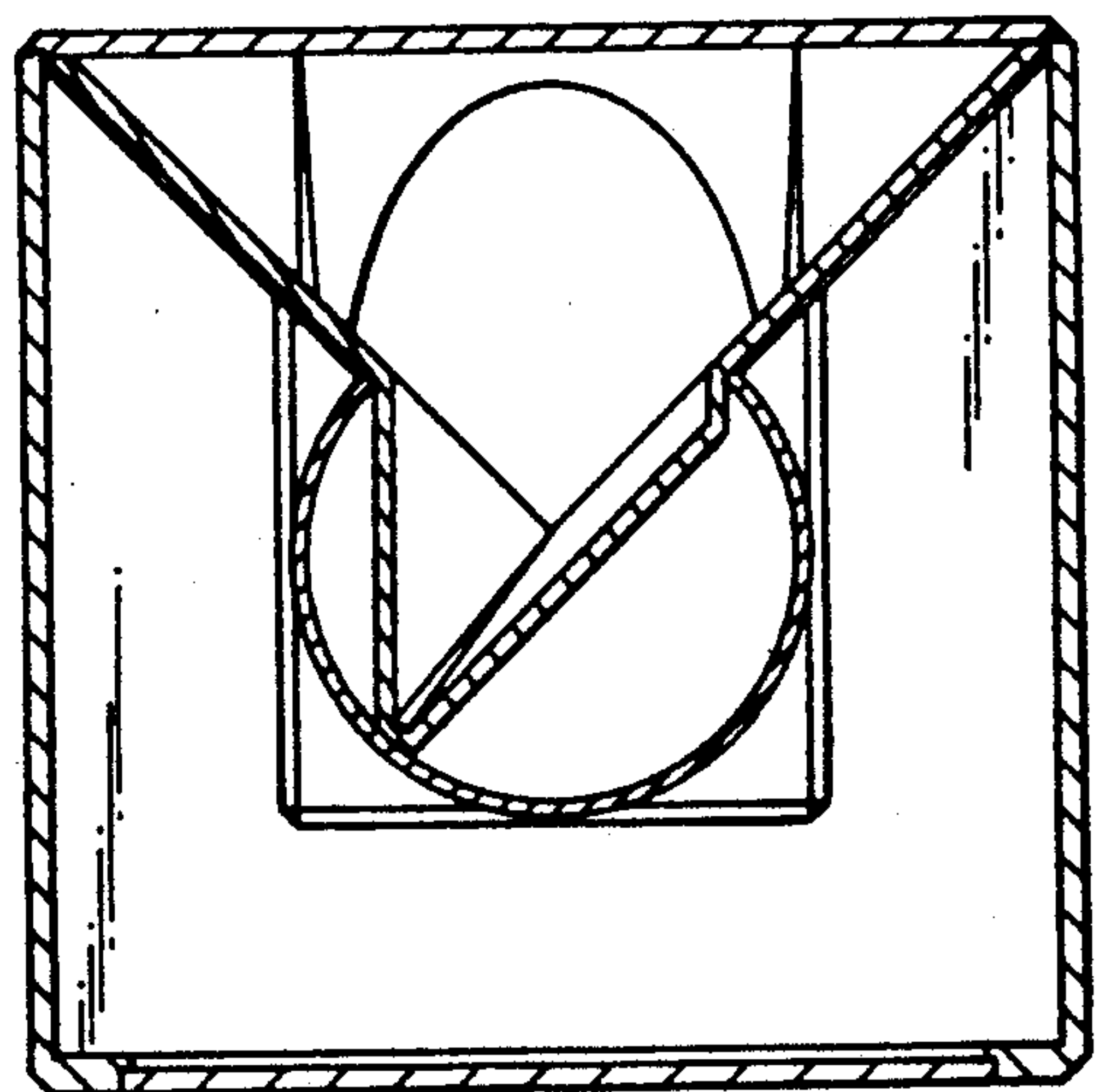


FIG. 9

