



US00D335747S

# United States Patent [19]

[11] Patent Number: **Des. 335,747**

Dearing et al.

[45] Date of Patent: **\*\* May 18, 1993**

[54] **COMBINED MAIL DELIVER INDICATOR AND HOLDER THEREFOR**

*Assistant Examiner—J. H. Musgrove  
Attorney, Agent, or Firm—Veal & Associates*

[76] Inventors: **James C. Dearing**, 615 Gardenia Rd., Millbrook, Ala. 36054; **Billy J. Walker**, 167 N. Northington, Prattville, Ala. 36067

[57] **CLAIM**

The ornamental design for a combined mail delivery indicator and holder therefor, as shown and described.

[\*\*] Term: **14 Years**

**DESCRIPTION**

[21] Appl. No.: **724,357**

FIG. 1 is a perspective view of a combined mail deliver indicator and holder therefor showing my new design; the broken away chain has been drawn to shown varying lengths;

[22] Filed: **Jul. 1, 1991**

[52] U.S. Cl. .... **D99/29**

FIG. 2 is a perspective view showing the indicator resting in the holder;

[58] Field of Search ..... **D99/29, 99; 232/34**

FIG. 3 is a front elevational view thereof;

[56] **References Cited**

**U.S. PATENT DOCUMENTS**

D. 260,319	8/1981	Kuntz, Jr. ....	D99/29
D. 277,328	1/1985	Hollenbach .....	D99/29
D. 278,469	4/1985	Ross .....	D99/29
4,821,953	4/1989	Poloha .....	232/34
5,004,148	4/1991	Windrem .....	232/34

FIG. 4 is a rear elevational view thereof;

FIG. 5 is an end elevational view as seen from the left end of FIG. 2;

FIG. 6 is an end elevational view as seen from the right end thereof;

FIG. 7 is a top plan view thereof;

FIG. 8 is a bottom view thereof; and,

FIG. 9 is a perspective view thereof; the broken lines of the mailbox are for environmental purposes only.

*Primary Examiner—Alan P. Douglas*

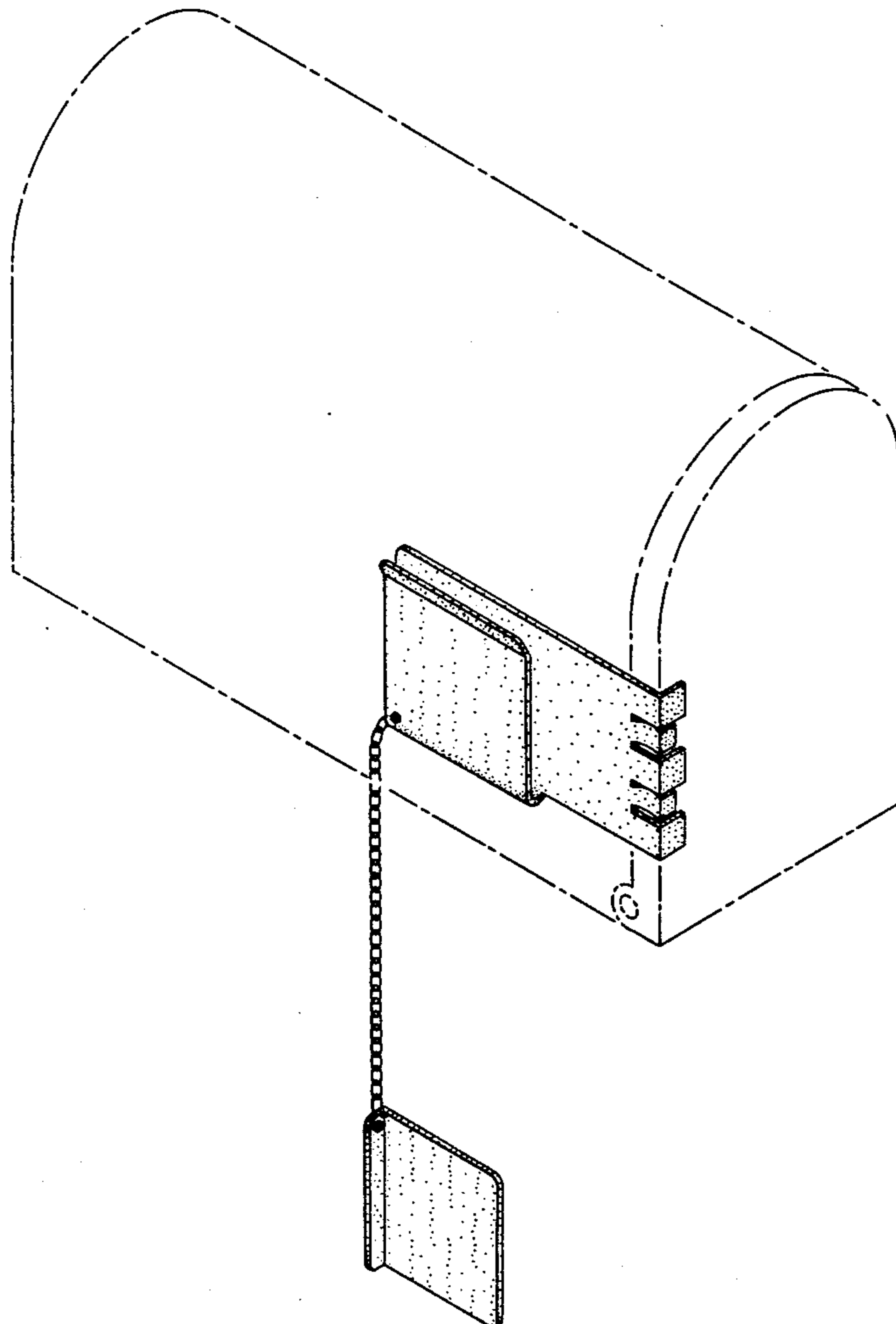


FIG. 1

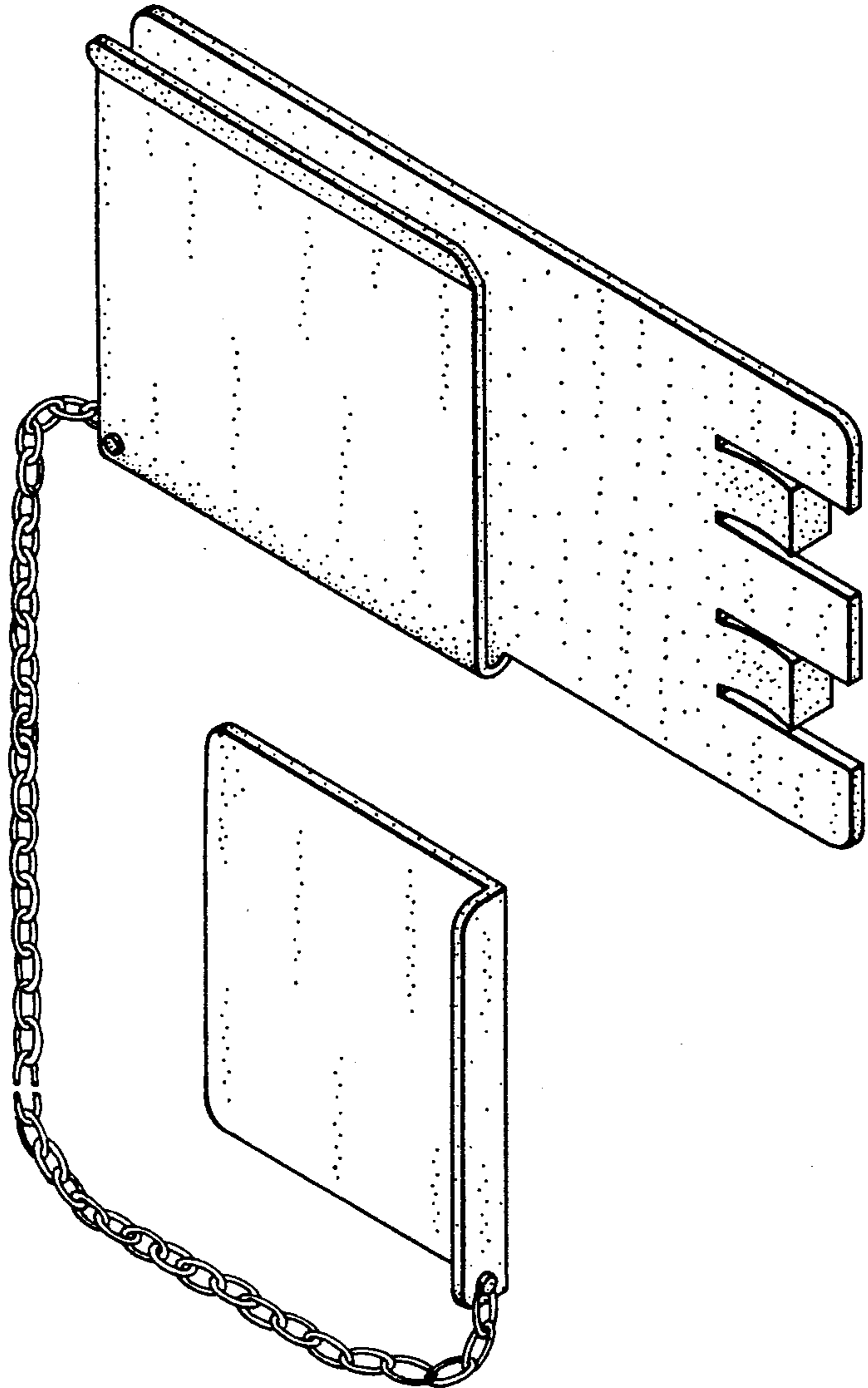


FIG. 2

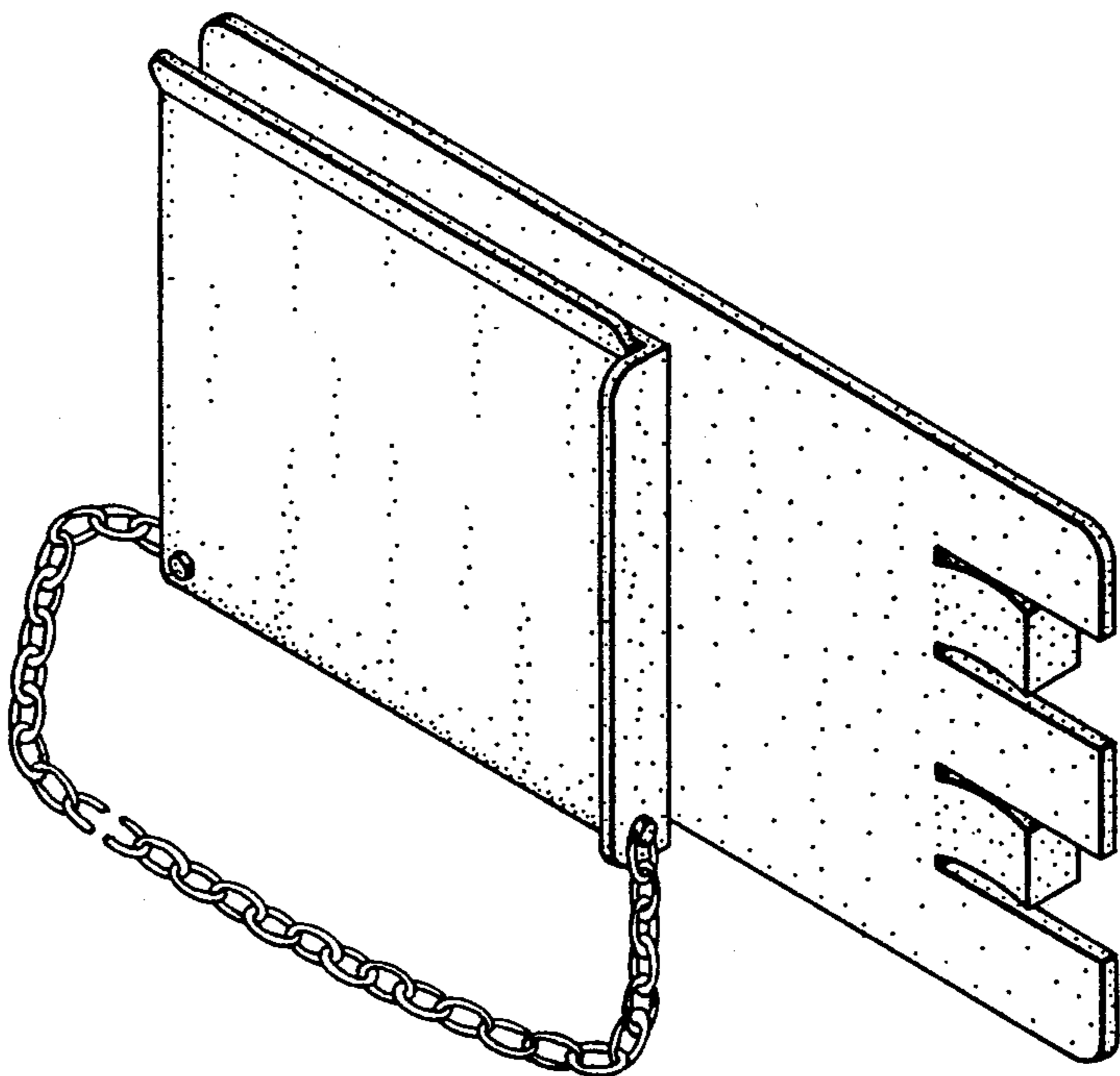


FIG. 3

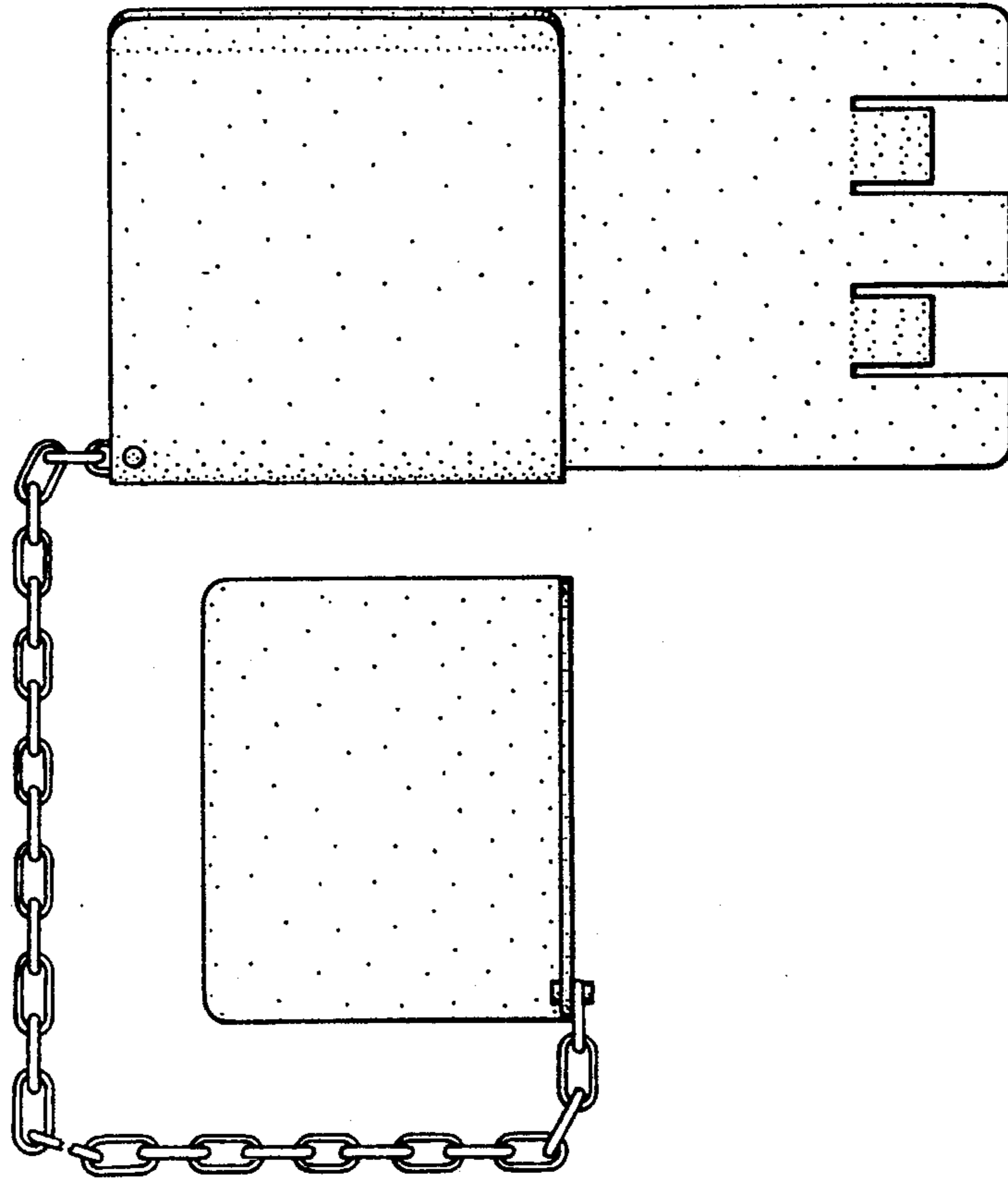


FIG. 4

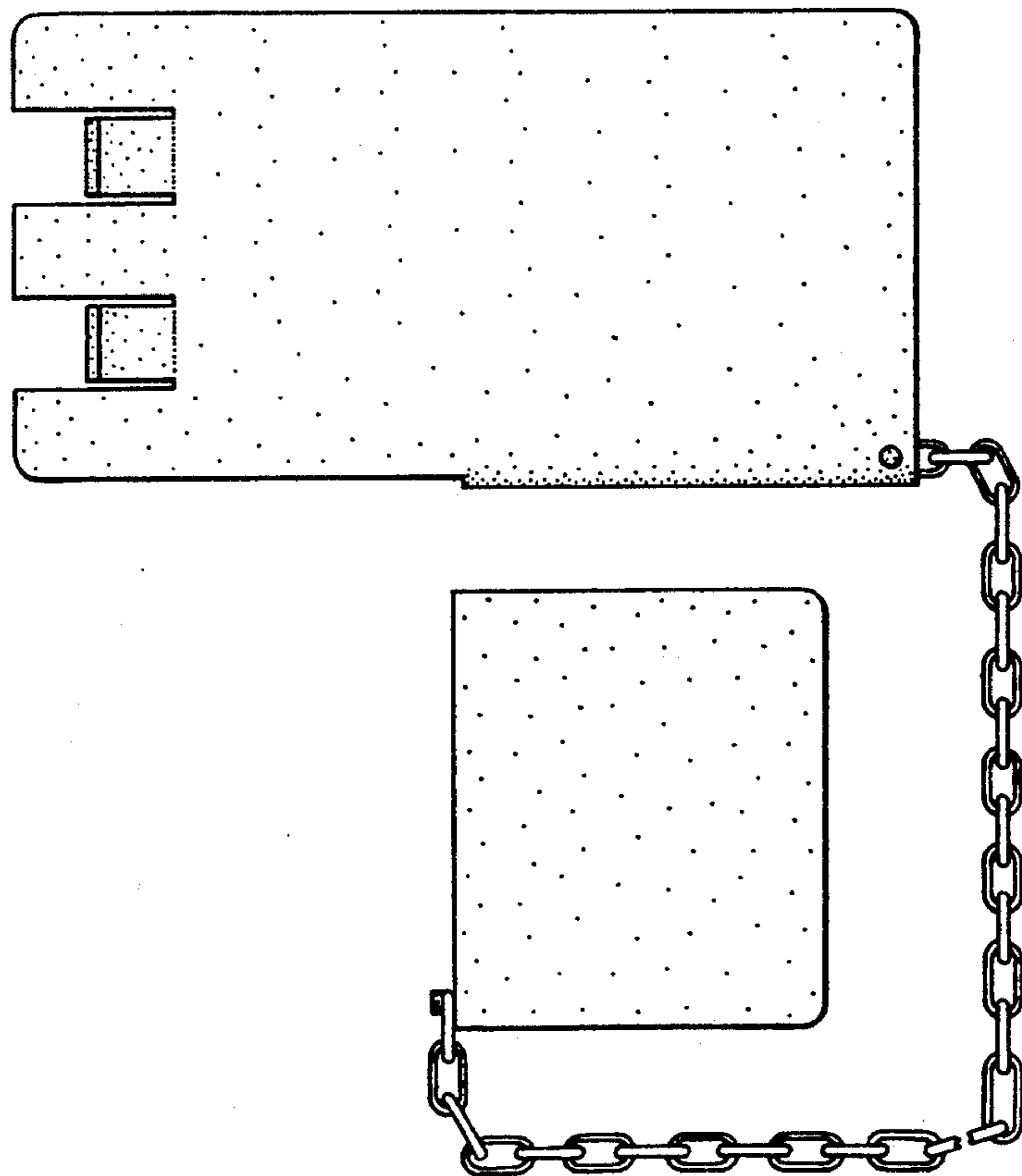


FIG. 5

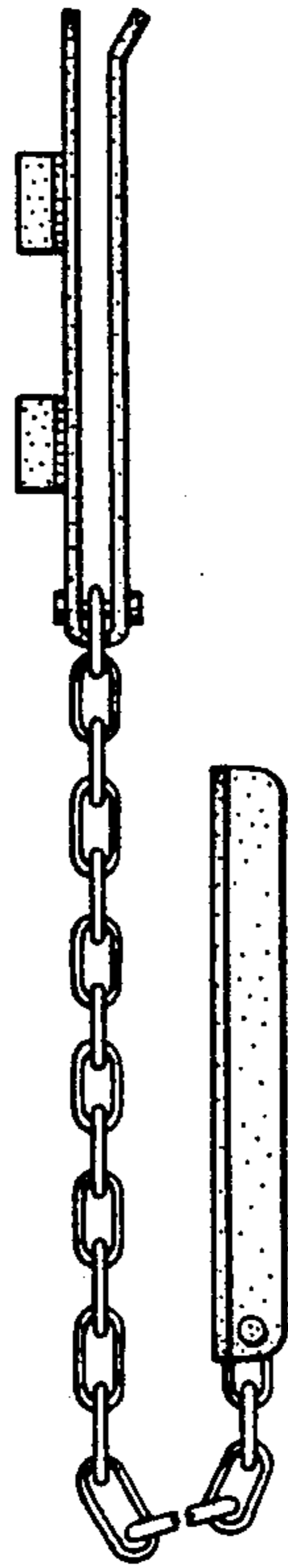


FIG. 6

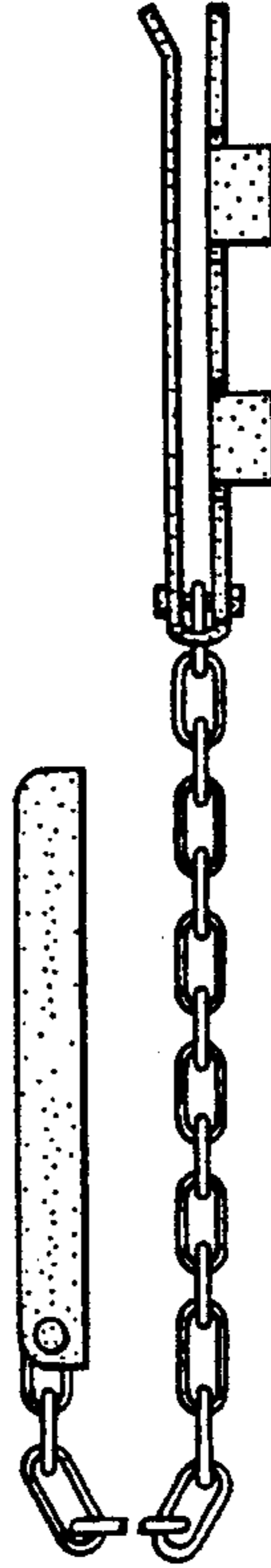


FIG. 7

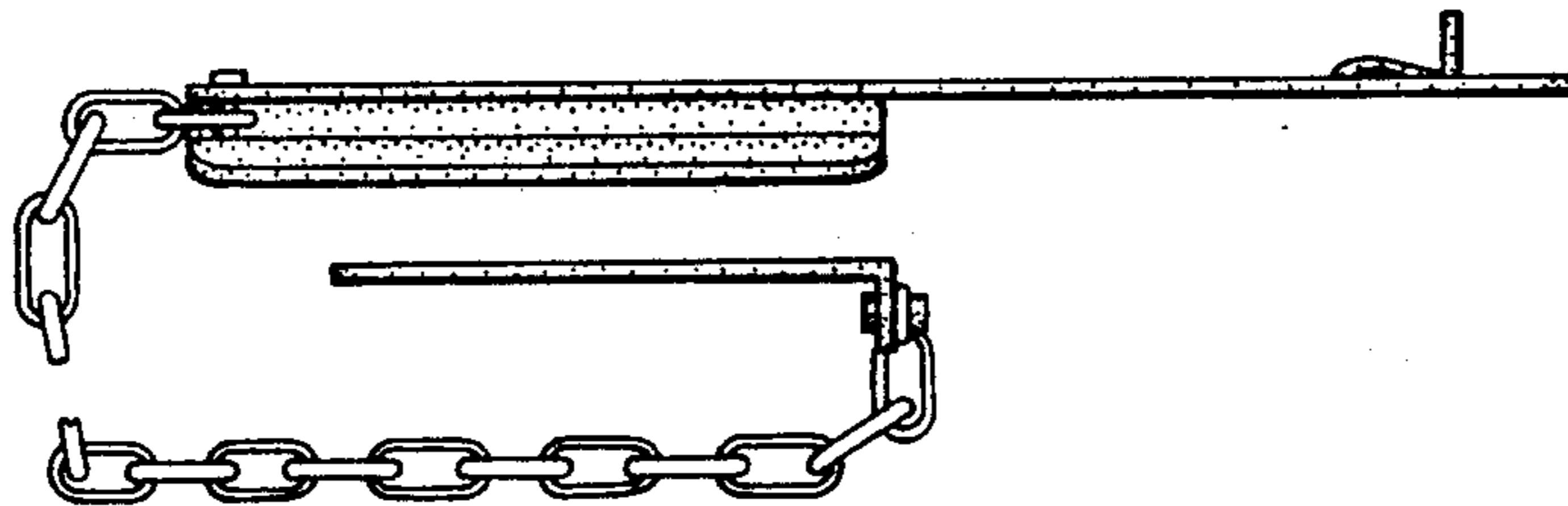
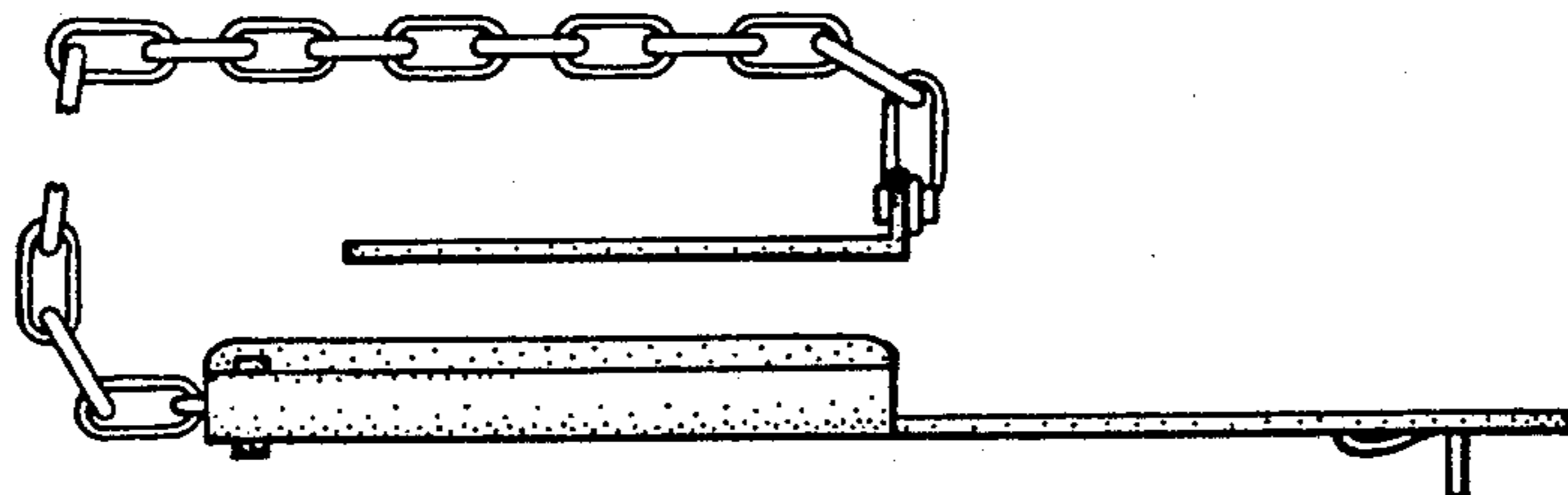


FIG. 8



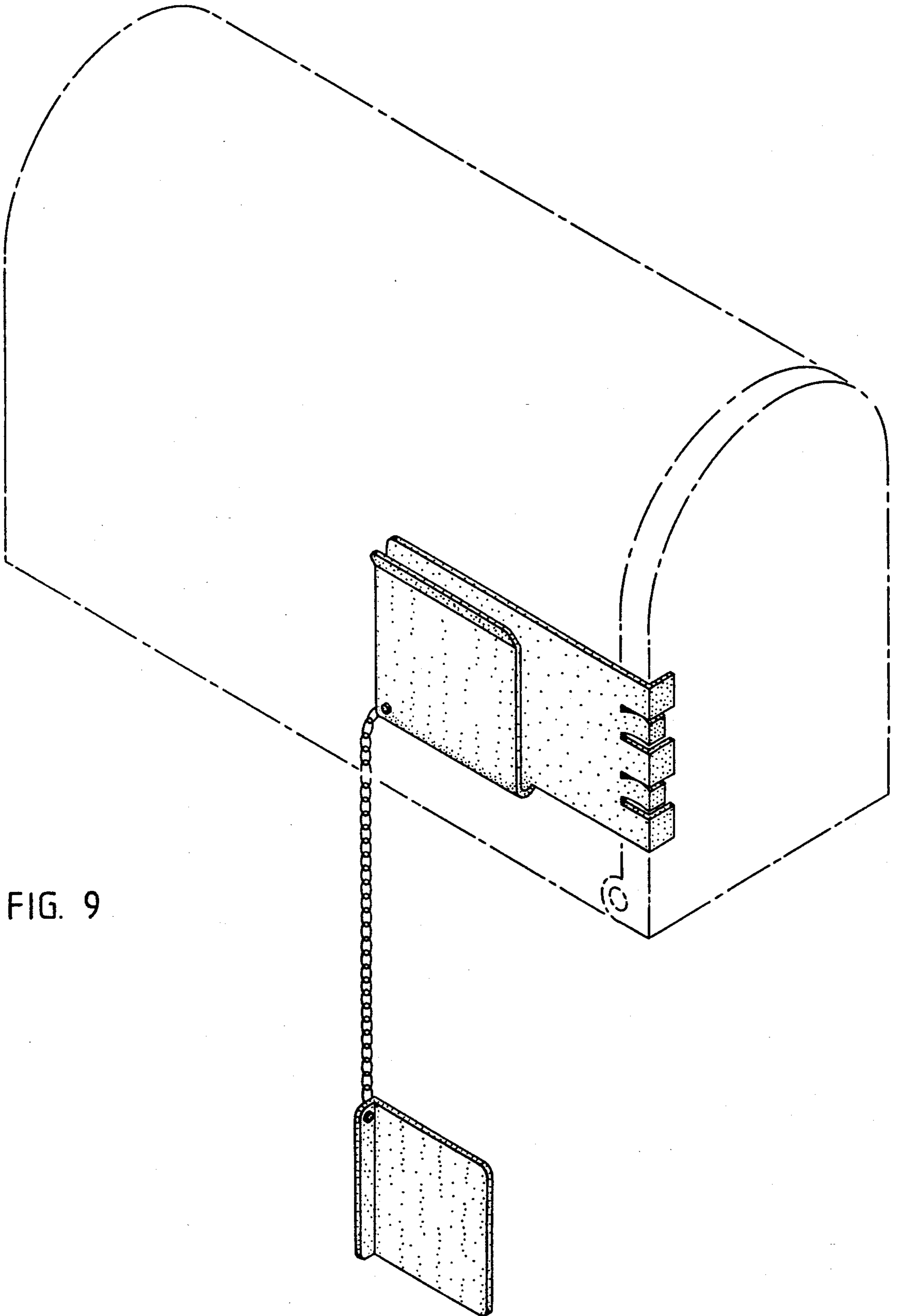


FIG. 9