



US00D335742S

United States Patent [19]

[11] Patent Number: **Des. 335,742**

Fujimoto et al.

[45] Date of Patent: **** May 18, 1993**

- [54] **AERIAL CABIN WITH A PAIR OF MANIPULATORS FOR A MOBILE LIFTING VEHICLE**
- [75] Inventors: **Mineyuki Fujimoto, Okegawa; Jun Amano, Ageo, both of Japan**
- [73] Assignee: **Aichi Sharyo Co. Ltd., Nagoya, Japan**
- [**] Term: **14 Years**
- [21] Appl. No.: **643,822**
- [22] Filed: **Jan. 22, 1991**
- [52] U.S. Cl. **D34/35**
- [58] Field of Search **212/163, 165, 267; 182/2; D34/34, 35; 414/718, 635; D12/14**

- 62-268312 11/1987 Japan .
- 63-144995 9/1988 Japan .
- 63-173193 11/1988 Japan .
- 64-38273 3/1989 Japan .
- 64-38274 3/1989 Japan .
- 1-134912 9/1989 Japan .
- 1-231800 9/1989 Japan .
- 2-28895 2/1990 Japan .
- 2-63992 5/1990 Japan .
- 2-91789 7/1990 Japan .
- 2-103089 8/1990 Japan .
- 2-104988 8/1990 Japan .
- 2-114308 9/1990 Japan .
- 2-129108 10/1990 Japan .
- 2-262813 10/1990 Japan .

[56] References Cited

U.S. PATENT DOCUMENTS

- D. 205,030 6/1966 Grove D34/34
- D. 205,031 6/1966 Grove D34/34
- D. 214,035 5/1969 Grove D34/34
- D. 218,412 8/1970 Lowe D34/34
- 3,584,703 6/1971 Lane 182/2 X
- 3,866,713 2/1975 Carpenter et al. .
- 4,016,688 4/1977 Tiffin et al. 414/718
- 4,047,618 9/1977 Kuester 414/718 X
- 4,179,010 12/1979 Ashworth 182/2
- 4,296,833 10/1981 Ashworth 182/2
- 4,790,711 12/1988 Calaway 414/635
- 4,962,827 10/1990 Garnett 182/2

FOREIGN PATENT DOCUMENTS

- 60-147923 10/1985 Japan .
- 61-81111 4/1986 Japan .
- 62-178108 8/1987 Japan .

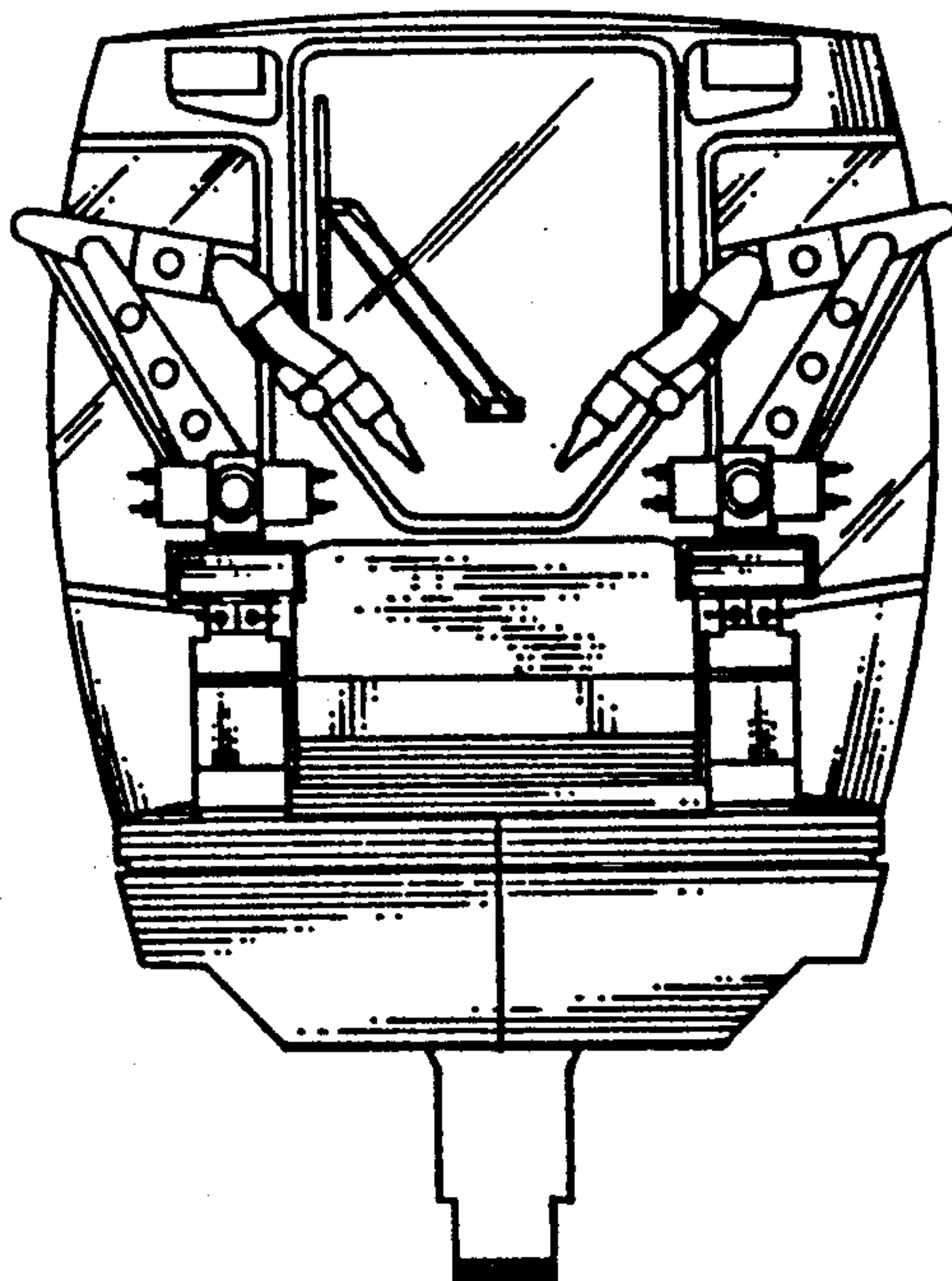
Primary Examiner—Wallace R. Burke
Assistant Examiner—H. Baynham
Attorney, Agent, or Firm—Sandler, Greenblum & Bernstein

[57] CLAIM

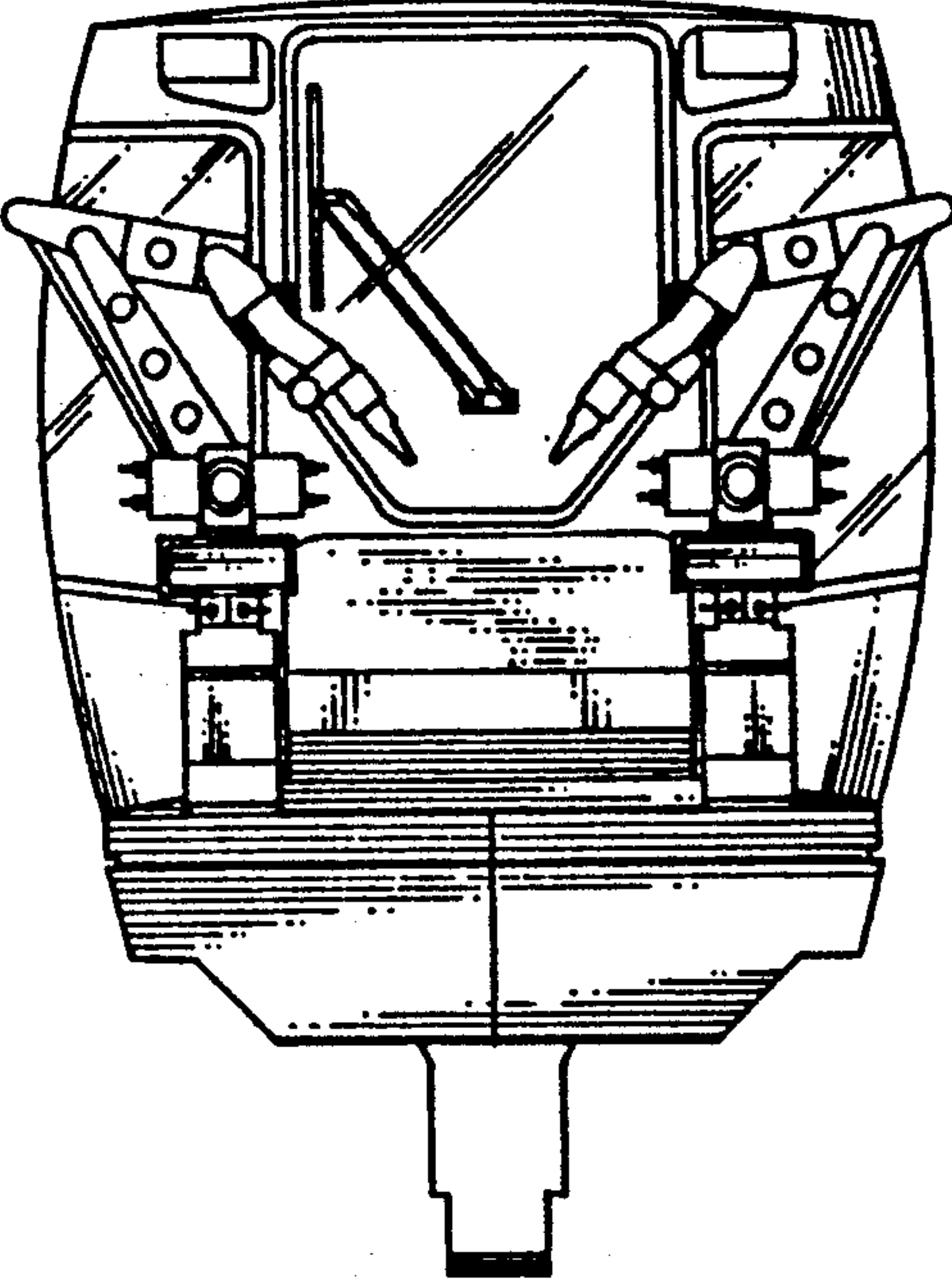
The ornamental design for an aerial cabin with a pair of manipulators, for a mobile lifting vehicle, as shown and described.

DESCRIPTION

FIG. 1 is a front view of an aerial cabin with a pair of manipulators for a mobile lifting vehicle showing our new design;
 FIG. 2 is a rear elevational view thereof;
 FIG. 3 is a right side elevational view thereof;
 FIG. 4 is a left side elevational view thereof;
 FIG. 5 is a top plan view thereof;
 FIG. 6 is a bottom plan view thereof; and,
 FIG. 7 is a side elevational view thereof showing the article in use.



F I G . 1



F I G . 2

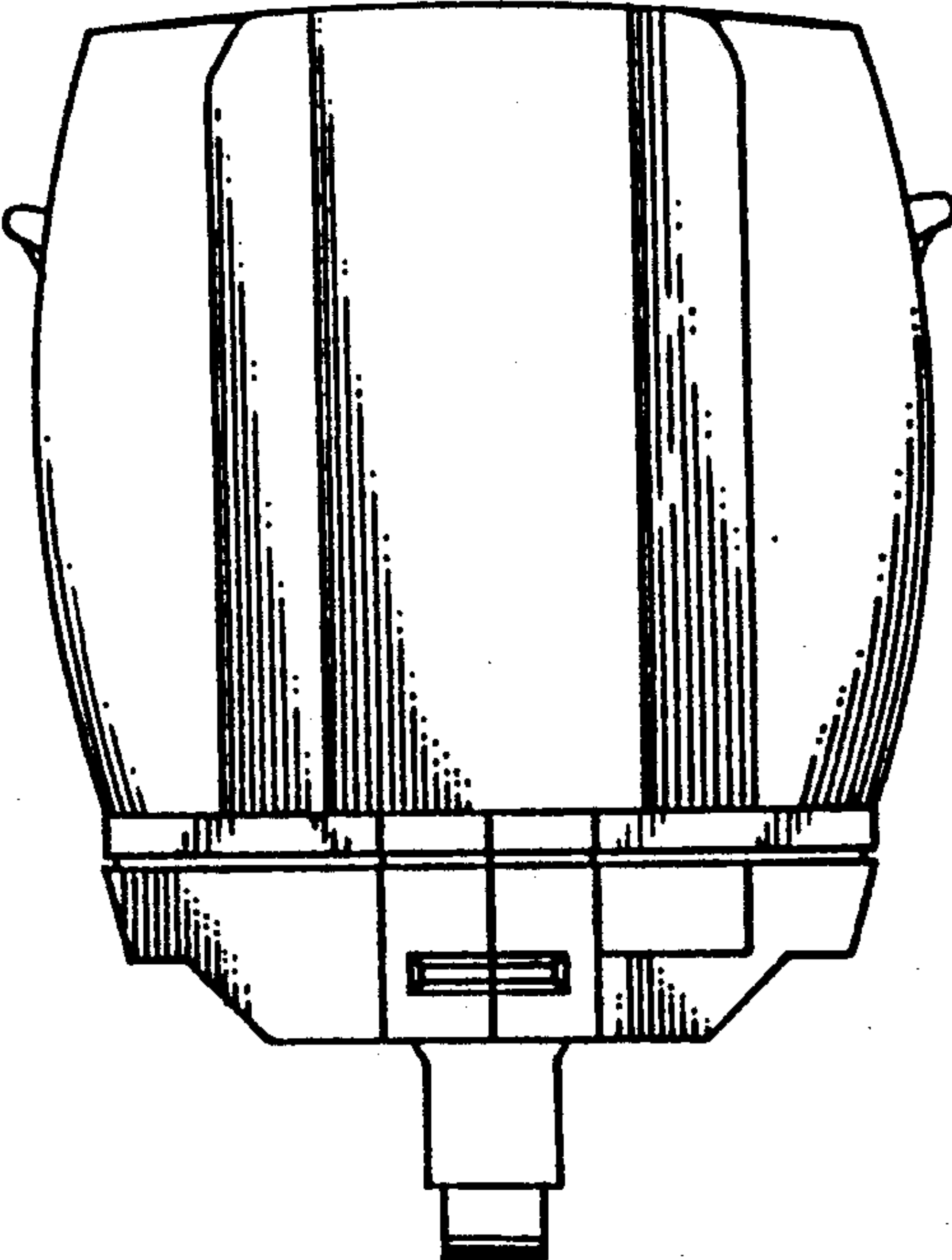


FIG. 3

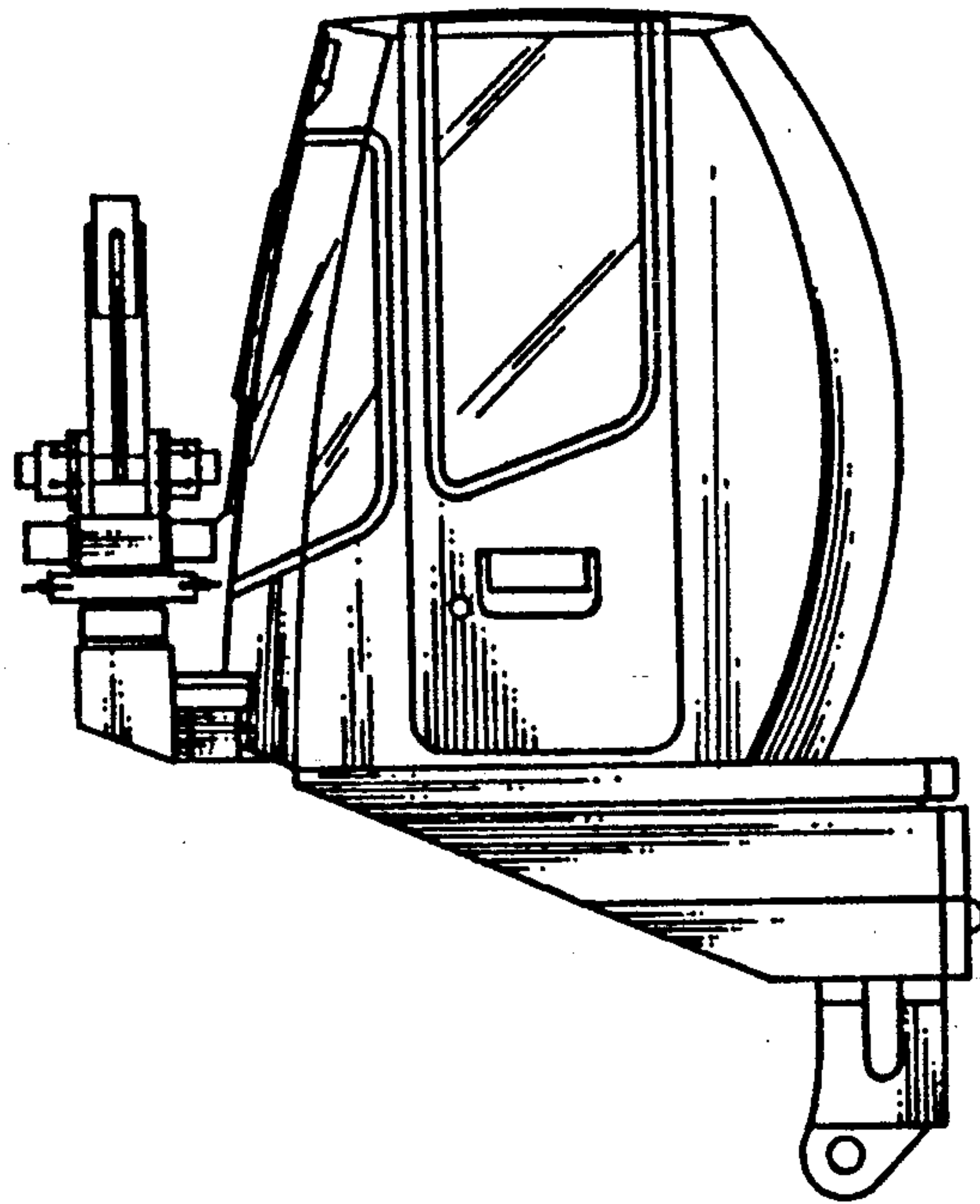


FIG. 4

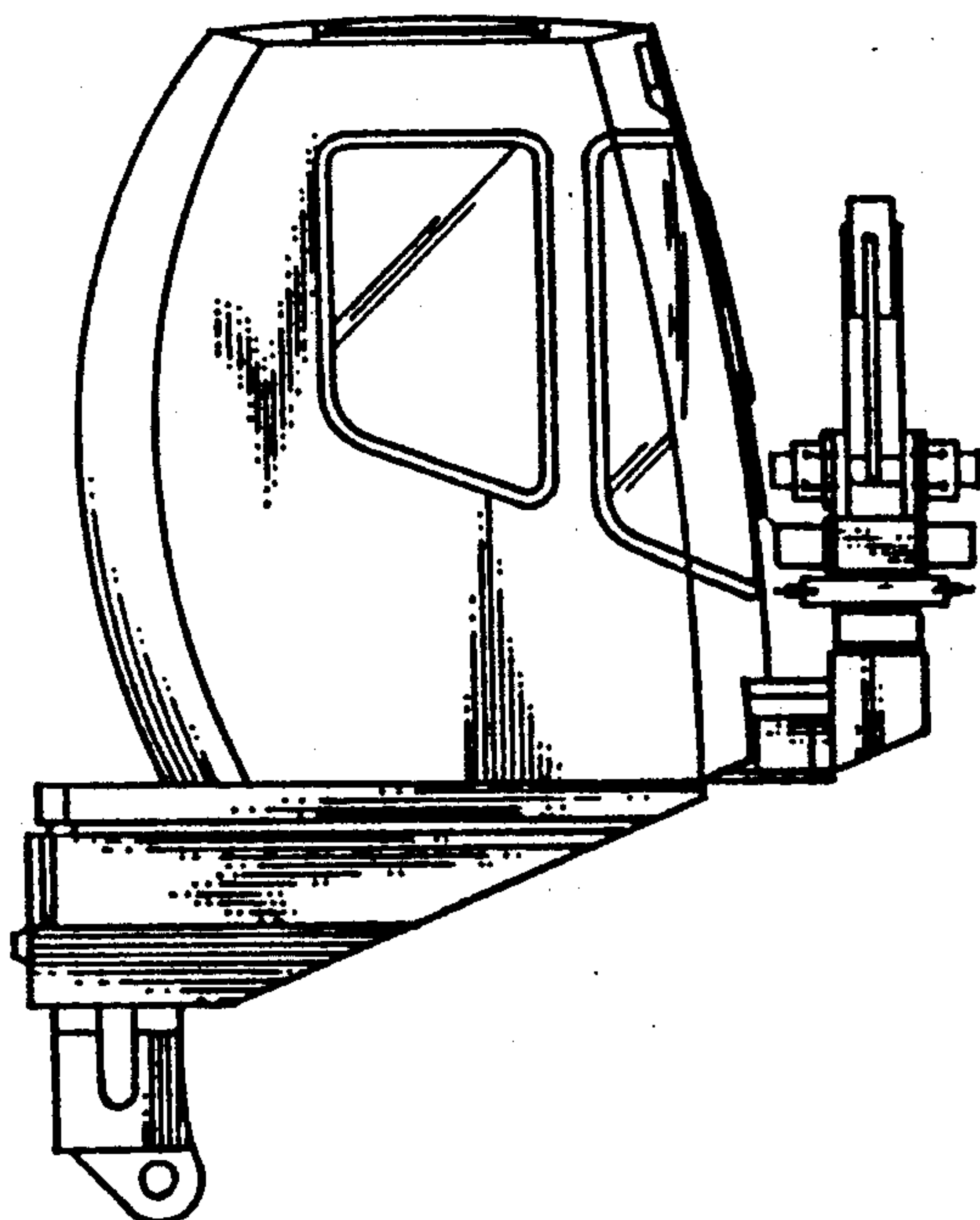


FIG. 5

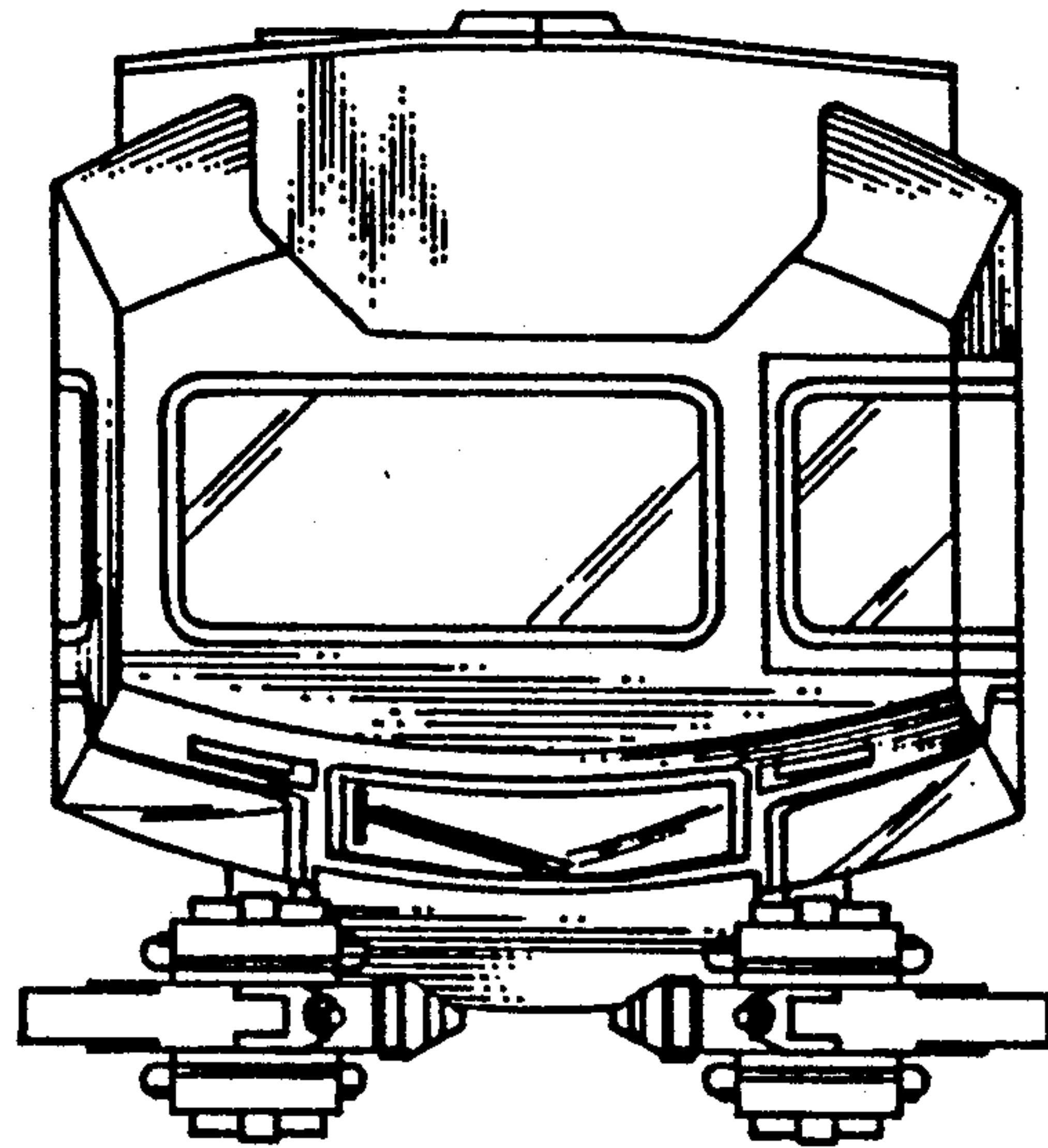


FIG. 6

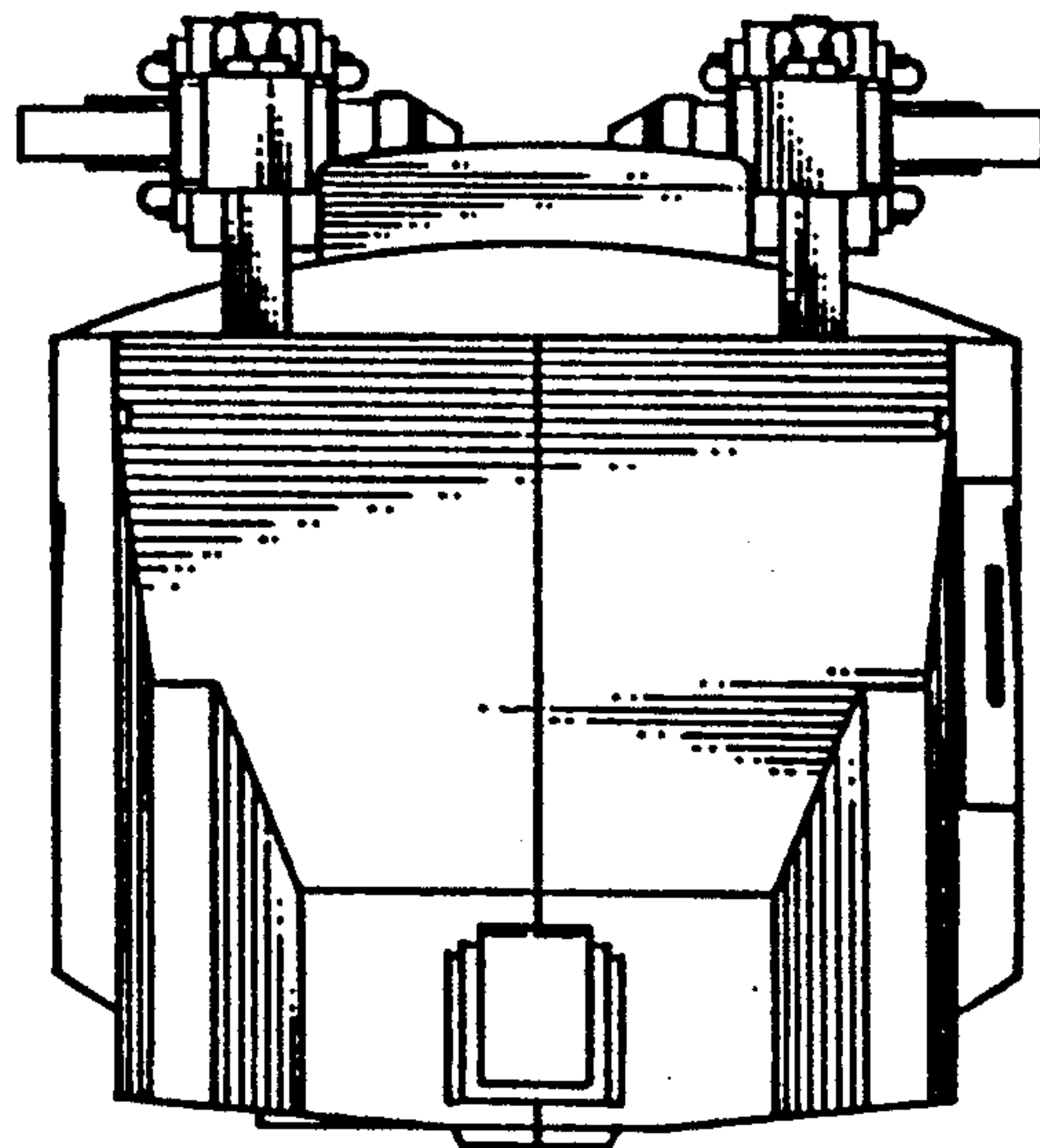


FIG. 7

