



US00D335738S

United States Patent [19]

[11] Patent Number: **Des. 335,738**

Tsai

[45] Date of Patent: **** May 18, 1993**

[54] **BARROW FOR USE IN GOING SHOPPING AND LOADING LUGGAGE**

*Primary Examiner—Kay H. Chin
Attorney, Agent, or Firm—Jacobson, Price, Holman & Stern*

[76] Inventor: **Cheng-Hsien Tsai**, No. 103, Da-Ming 1st Rd., Tien-Tzu Hsiang, Taichung Hsien, Taiwan

[57] **CLAIM**

The ornamental design for a barrow for use in going shopping and loading luggage, as shown and described.

[**] Term: **14 Years**

DESCRIPTION

[21] Appl. No.: **801,171**

FIG. 1 is a front and top perspective view of a barrow for use in going shopping and loading luggage showing my new design;

[22] Filed: **Dec. 2, 1991**

[52] U.S. Cl. **D34/26; D34/12**

FIG. 2 is a front elevational view thereof;

[58] Field of Search **D34/12, 24, 26;**

280/47.24, 652, 47.27, 47.23, 655

FIG. 3 is a rear elevational view thereof;

FIG. 4 is a left side elevational view thereof, the opposite side view being a mirror image of that shown;

[56] **References Cited**

U.S. PATENT DOCUMENTS

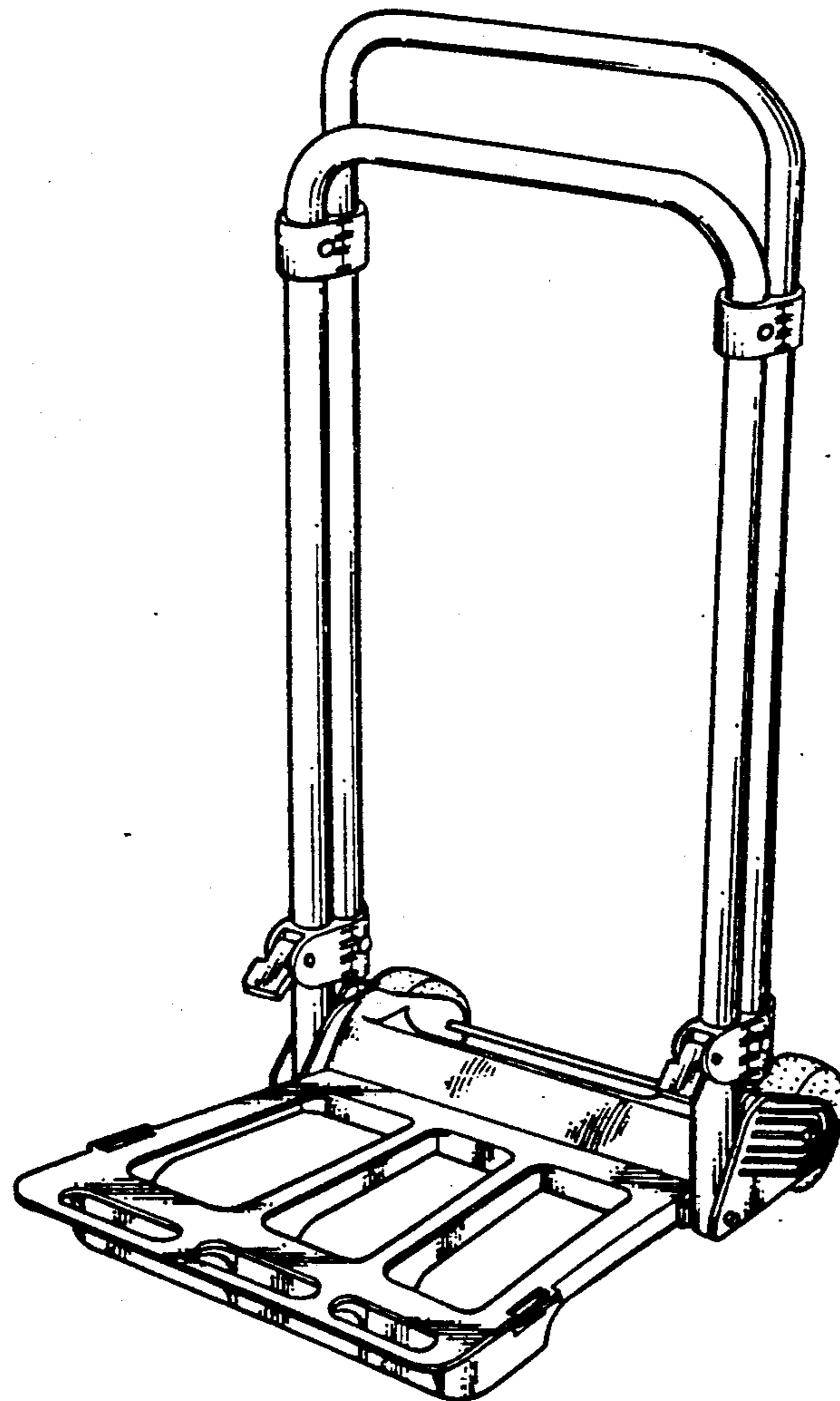
D. 312,163 11/1990 Ocuin **D34/26**

4,974,871 12/1990 Mao **280/655**

FIG. 5 is a top plan view thereof;

FIG. 6 is a bottom plan view thereof; and,

FIG. 7 is the perspective view of this design being operated.



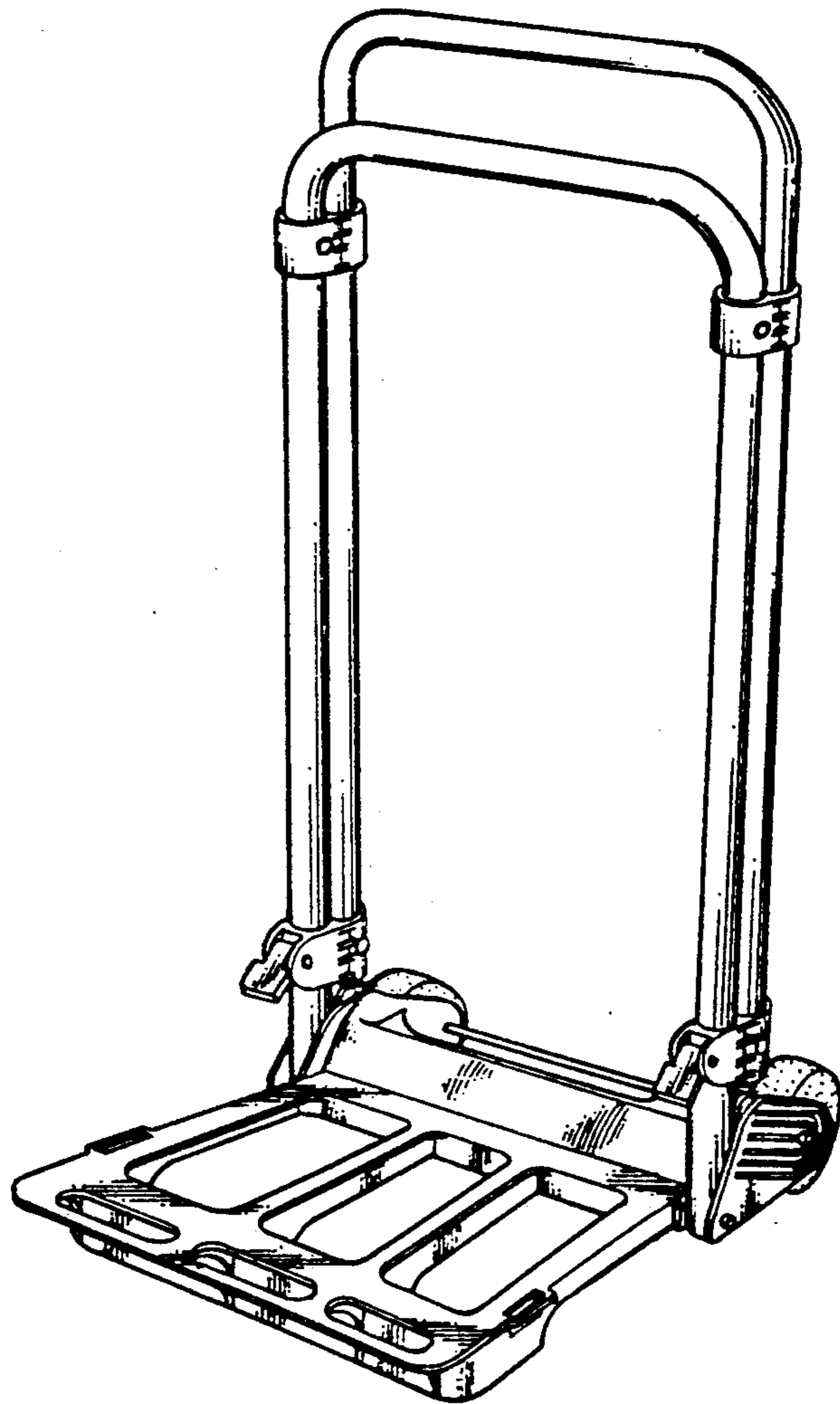


FIG. 1

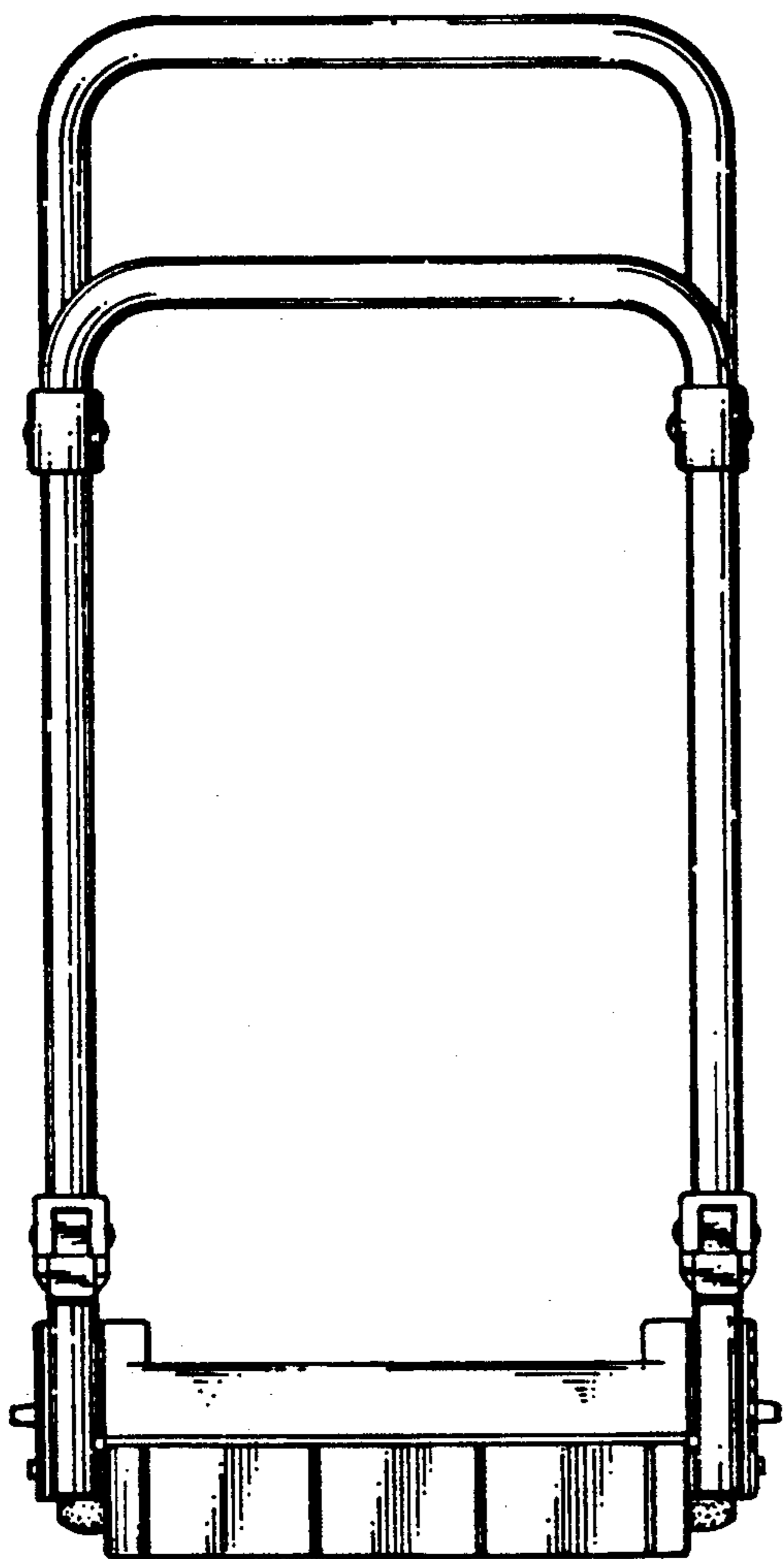


FIG. 2

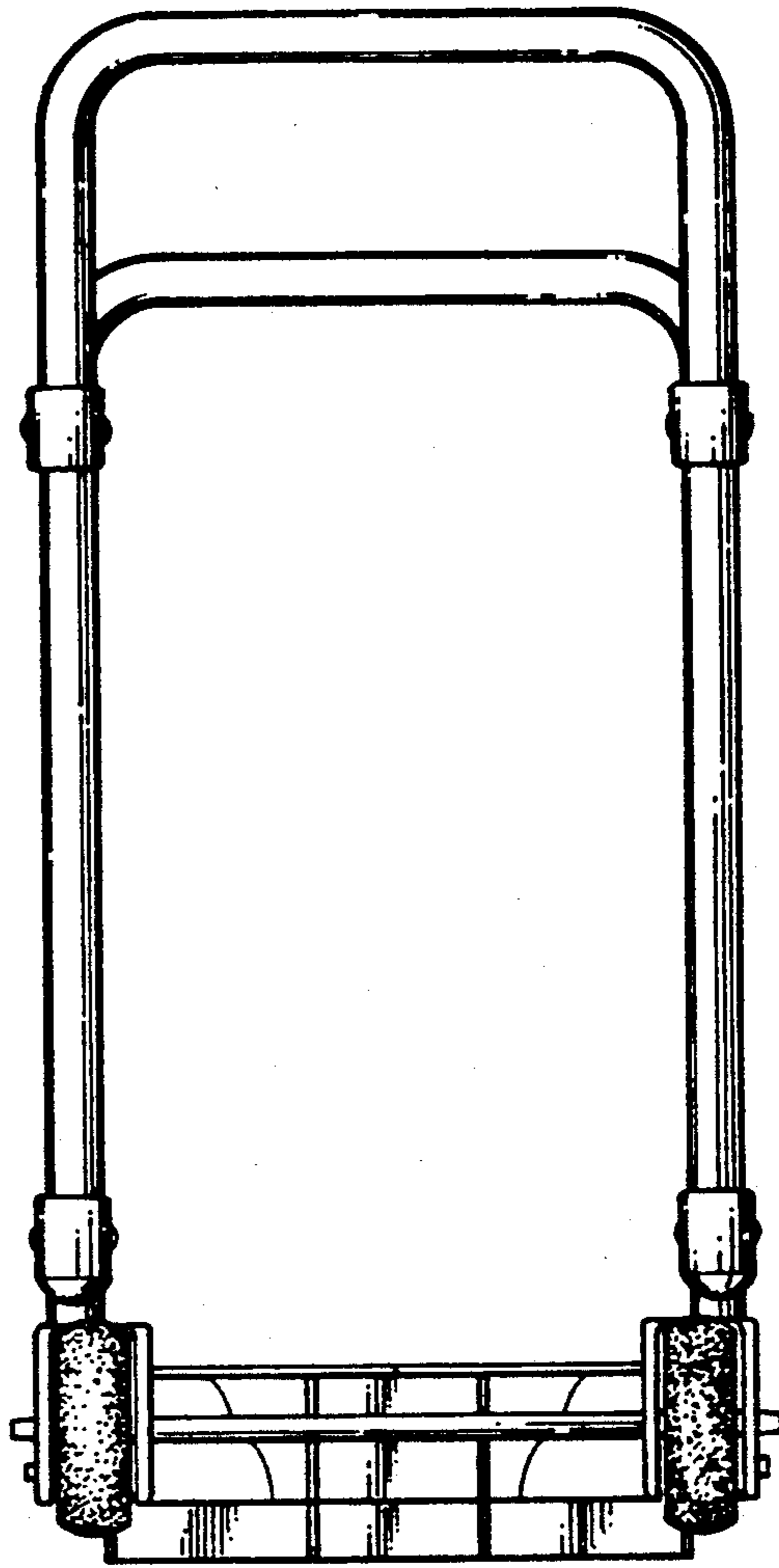


FIG. 3

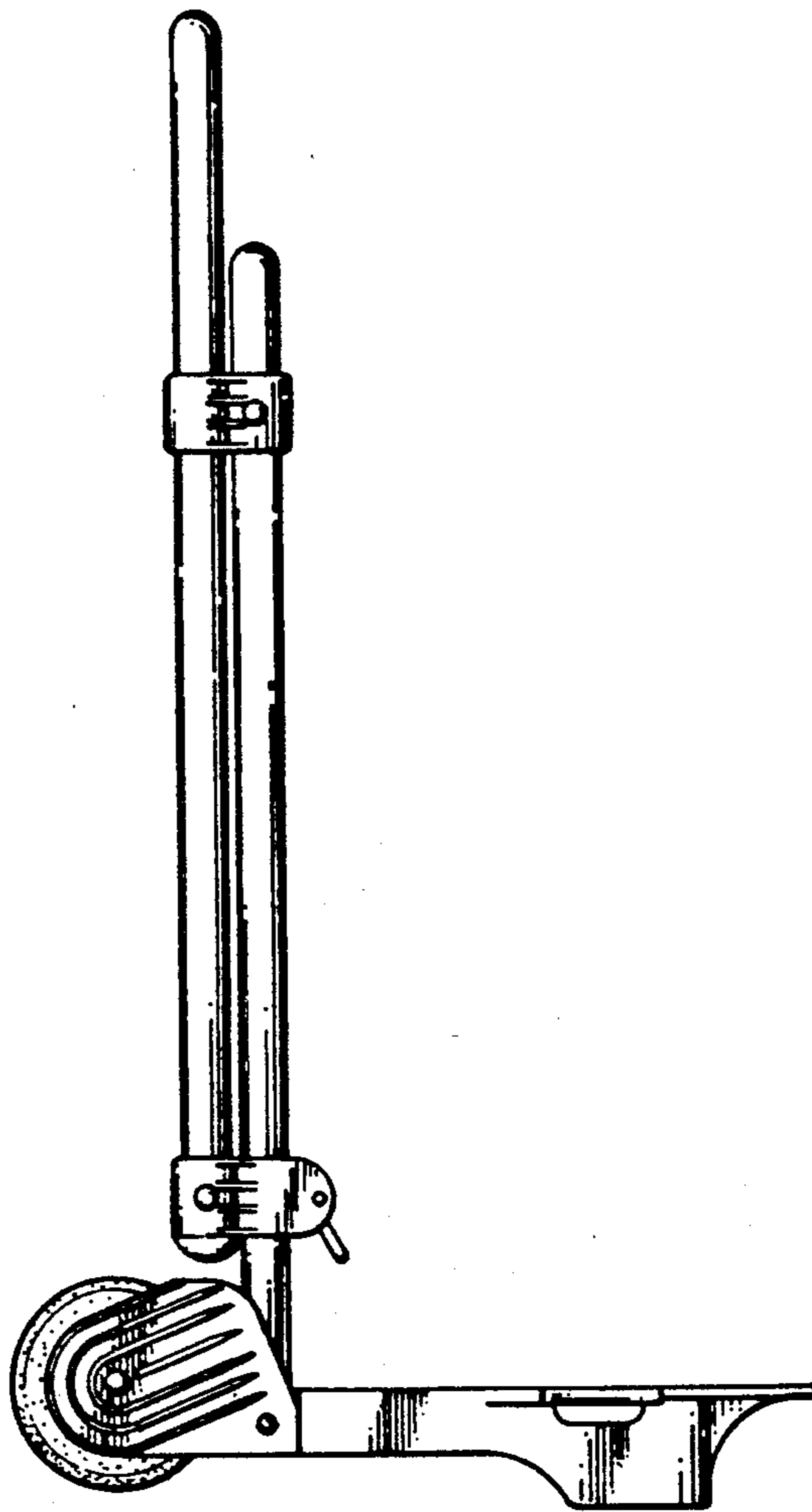


FIG. 4

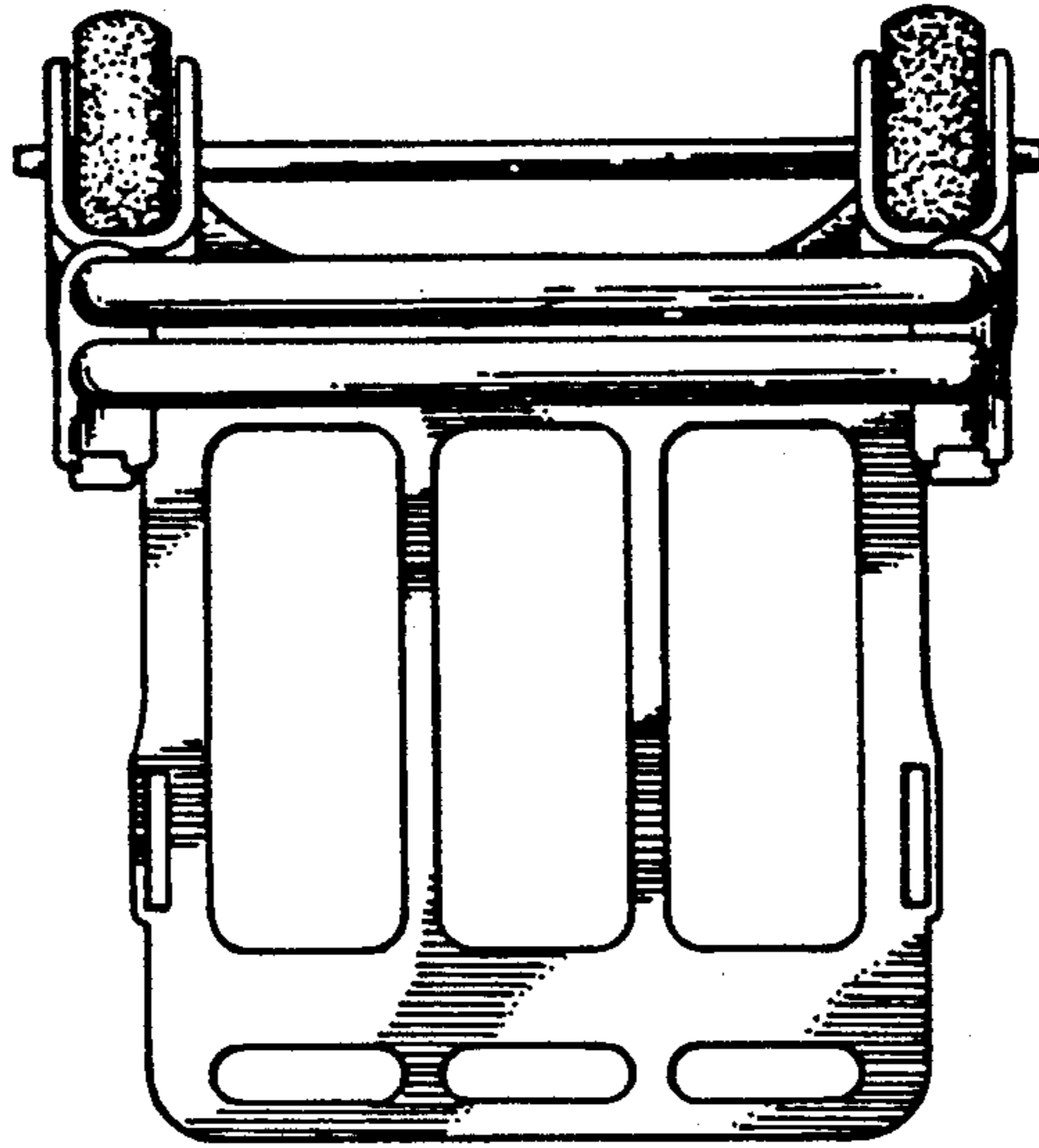


FIG. 5

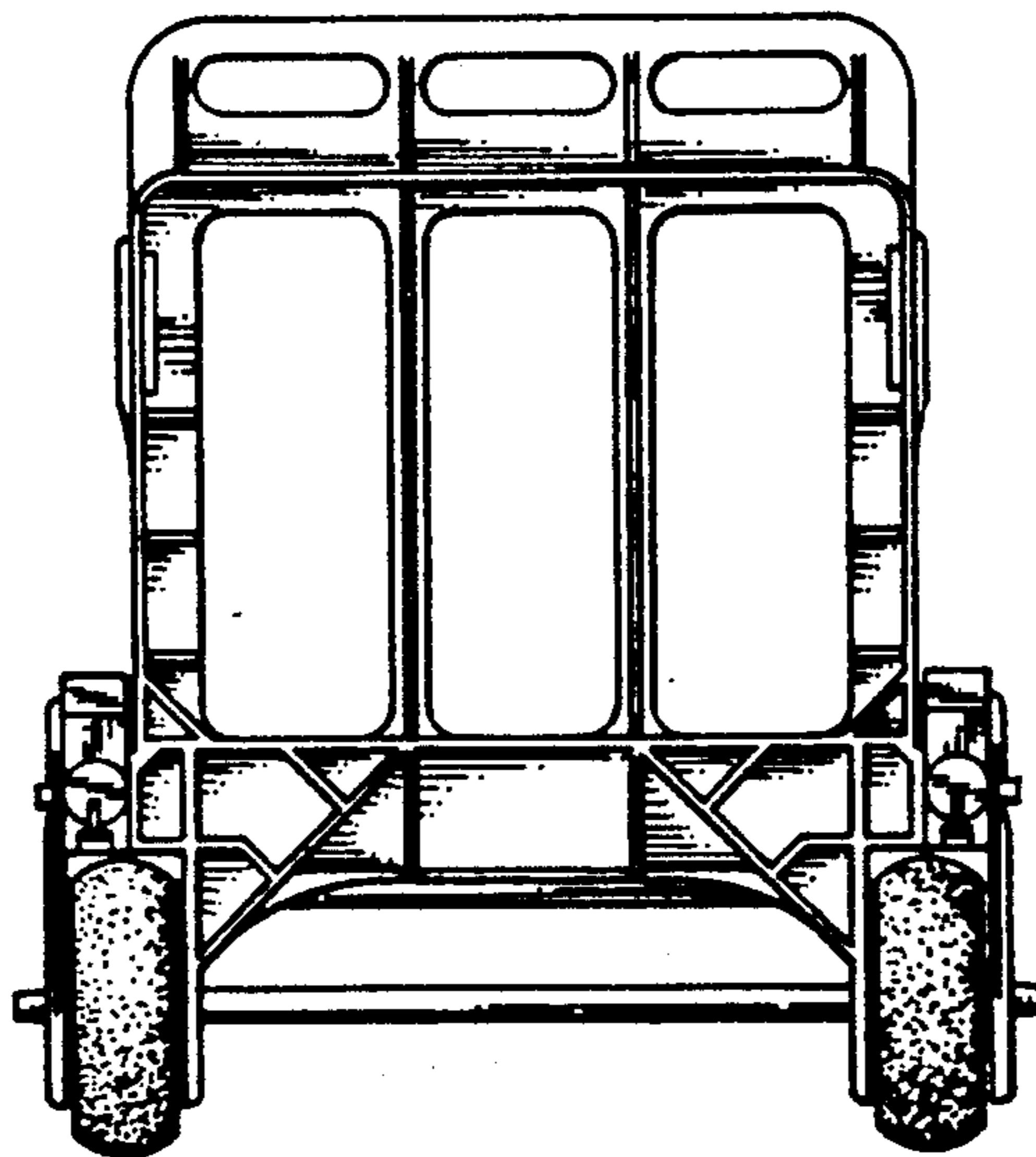


FIG. 6

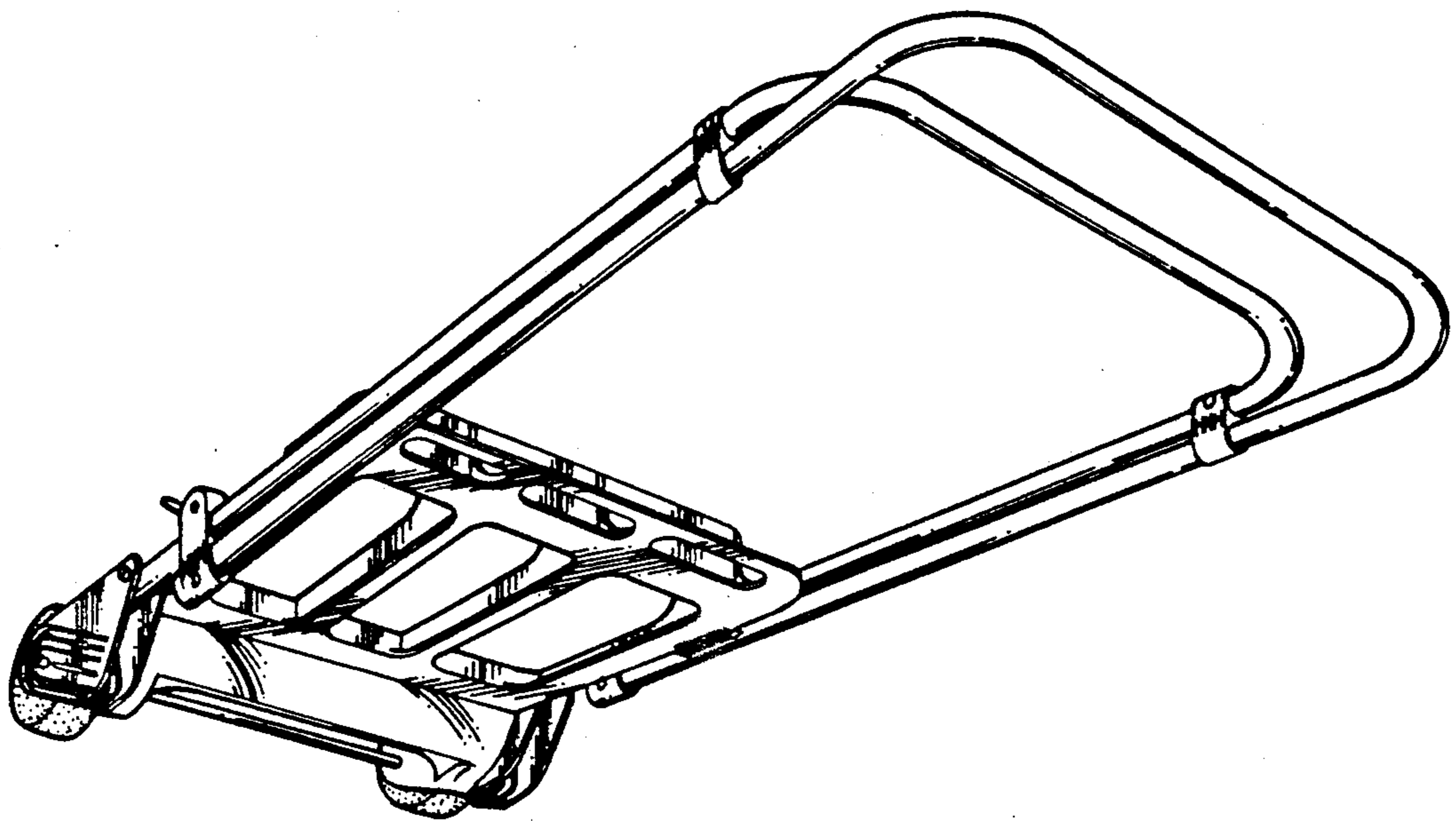


FIG.7