



US00D335737S

United States Patent [19]

[11] Patent Number: **Des. 335,737**

Bell, Sr. et al.

[45] Date of Patent: **** May 18, 1993**

[54] GAS CYLINDER CARRIER

[75] Inventors: **John Bell, Sr.**, Birmingham; **John Bell, Jr.**, Hoover, both of Ala.; **Daniel T. Carter**, Peach Tree City, Ga.

[73] Assignee: **Intercontinental Enterprises, Inc.**, Birmingham, Ala.

[**] Term: **14 Years**

[21] Appl. No.: **752,266**

[22] Filed: **Aug. 23, 1991**

[52] U.S. Cl. **D34/26; D34/24**

[58] Field of Search **D34/12, 24, 26; 280/655, 652, 47.29, 47.18, 47.24, 47.27**

[56] References Cited

U.S. PATENT DOCUMENTS

4,281,849	8/1981	Chandick et al.	280/652
4,401,319	8/1983	Kazmark	280/655
4,784,405	11/1988	Stein	280/655

FOREIGN PATENT DOCUMENTS

197803 2/1978 France 280/652

Primary Examiner—Kay H. Chin
Attorney, Agent, or Firm—Veal & Associates

[57] CLAIM

The ornamental design for a gas cylinder carrier, as shown and described.

DESCRIPTION

FIG. 1 is a perspective view of a gas cylinder carrier showing our new design;
 FIG. 2 is a side elevational view thereof, the side not shown being a mirror image thereof;
 FIG. 3 is a front elevational view thereof;
 FIG. 4 is a rear elevational view thereof;
 FIG. 5 is a top plan view thereof;
 FIG. 6 is a bottom view thereof; and,
 FIG. 7 is a side elevational view with a gas cylinder shown in broken lines to illustrate environmental structure.

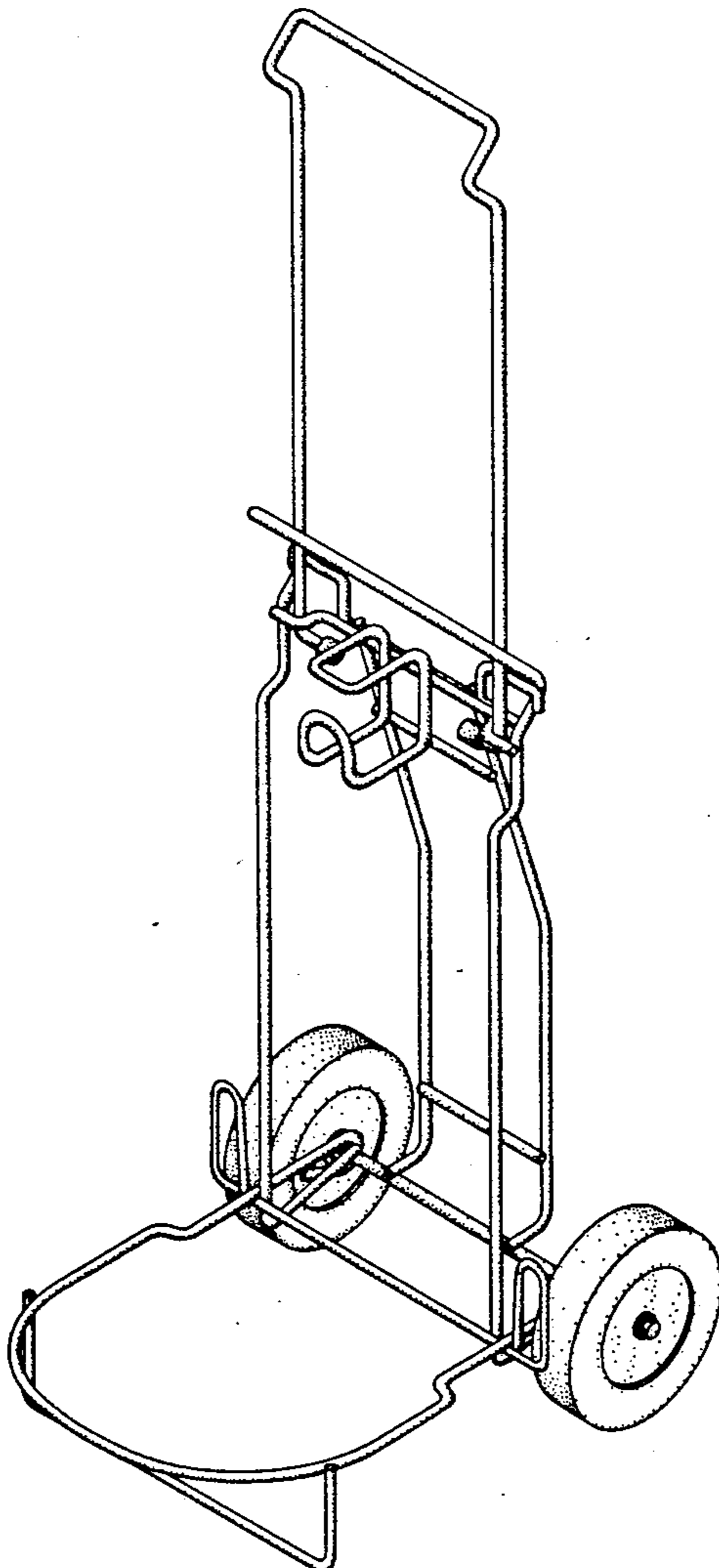


FIG. 1

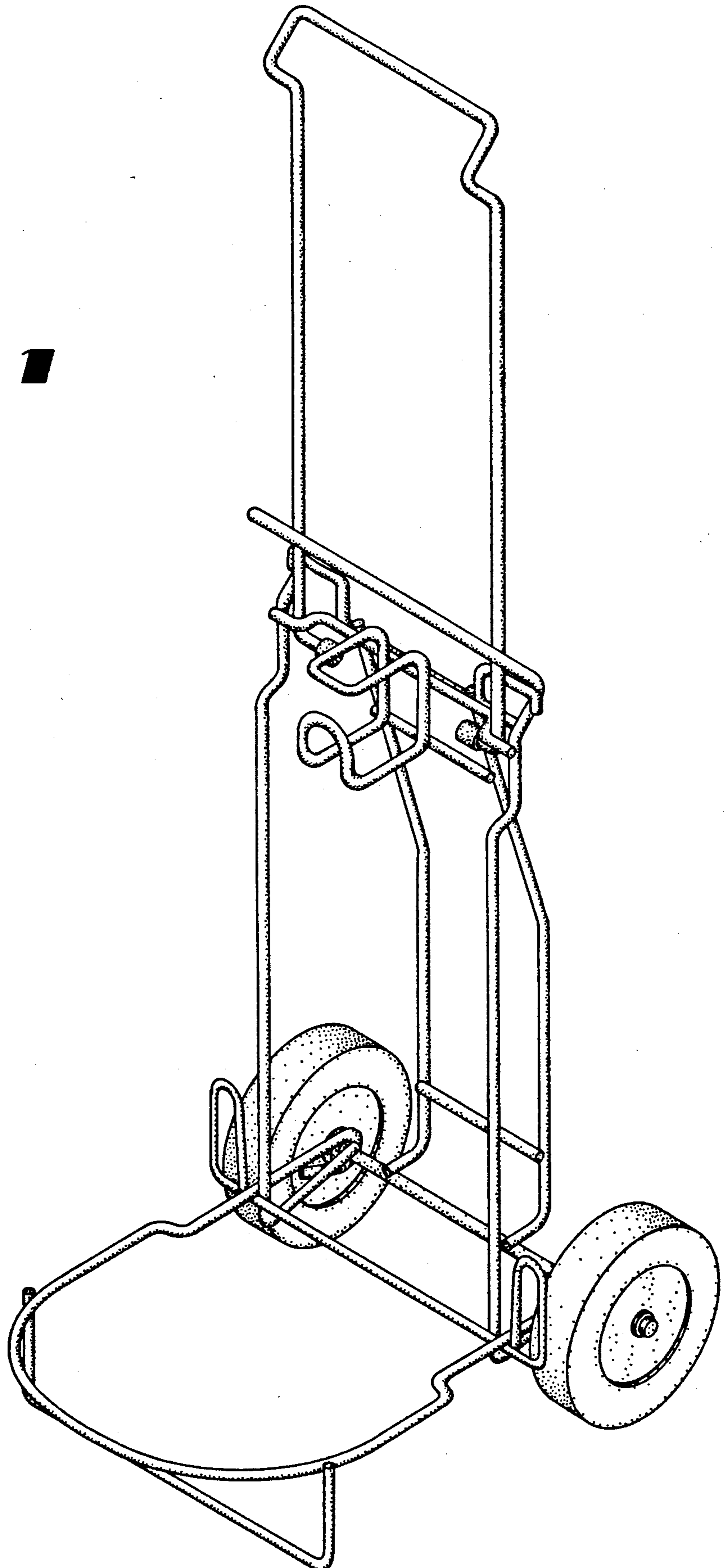


FIG. 2

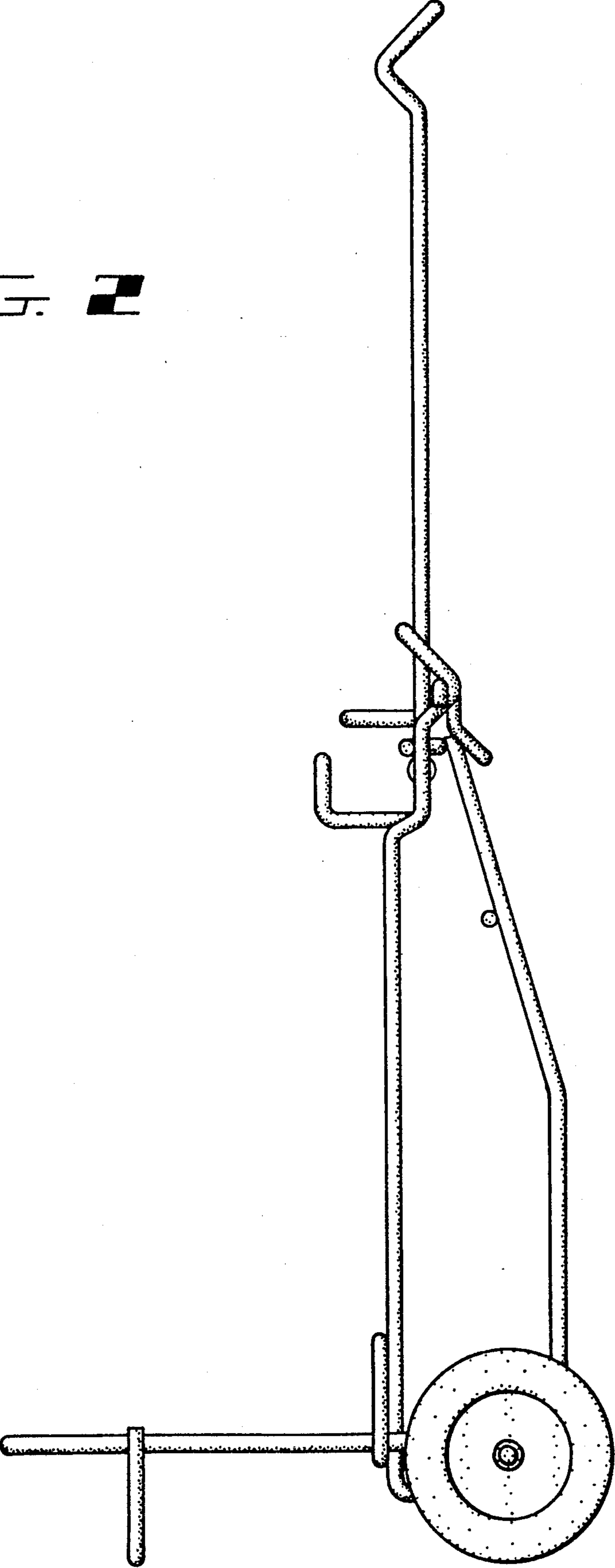


FIG. 3

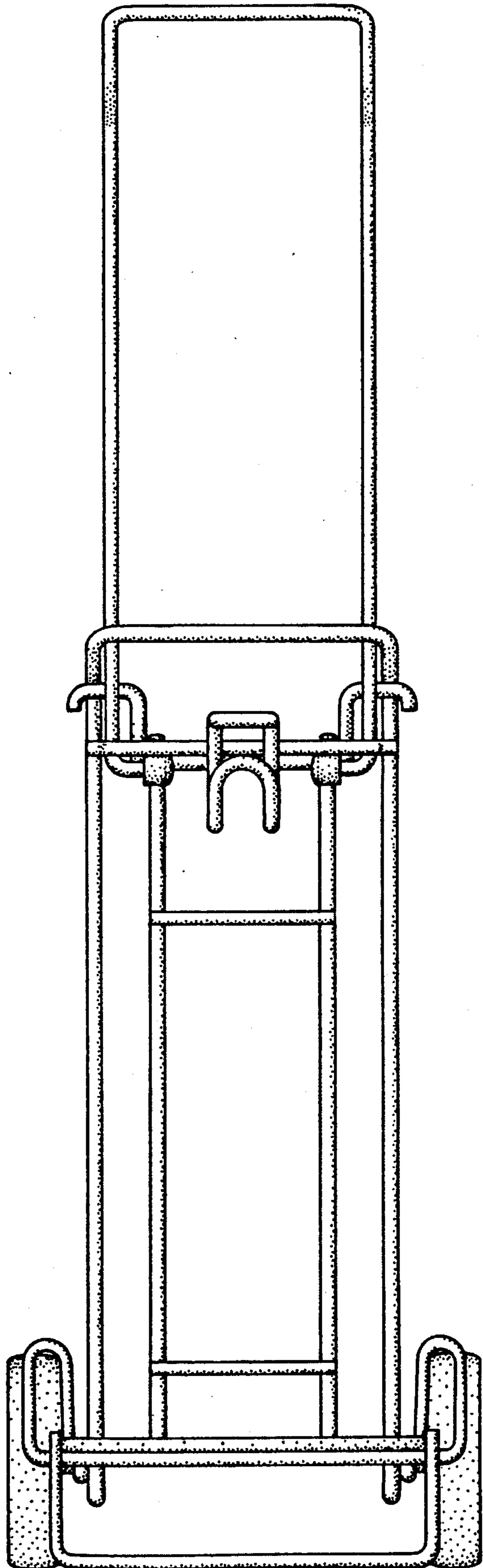


FIG. 4

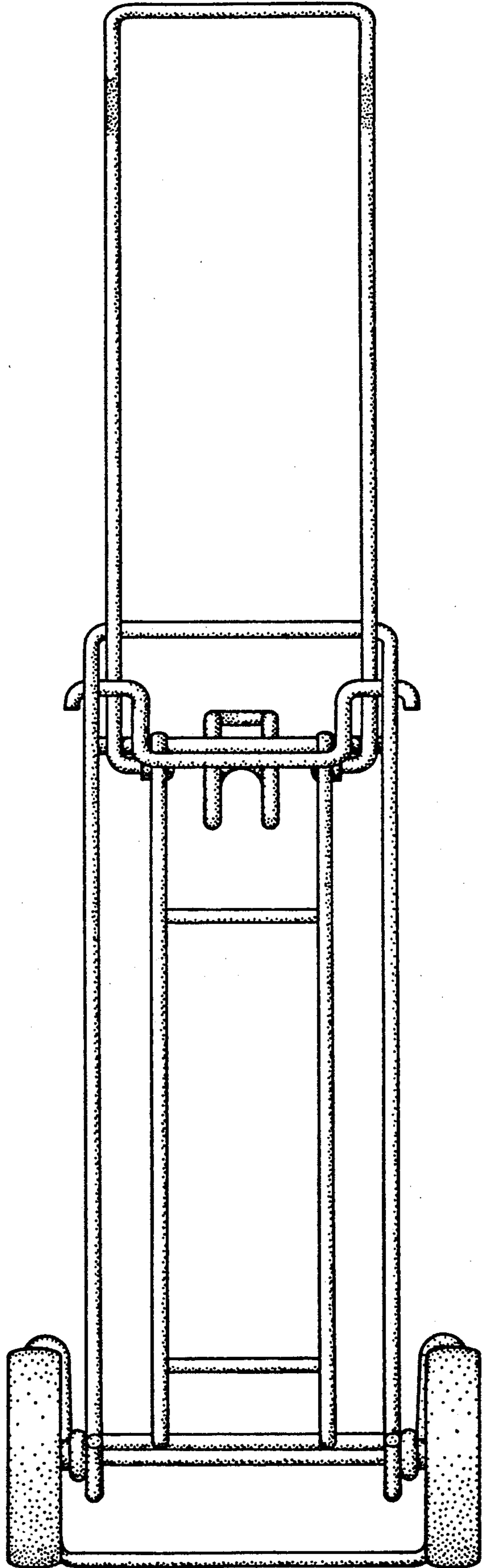


FIG. 5

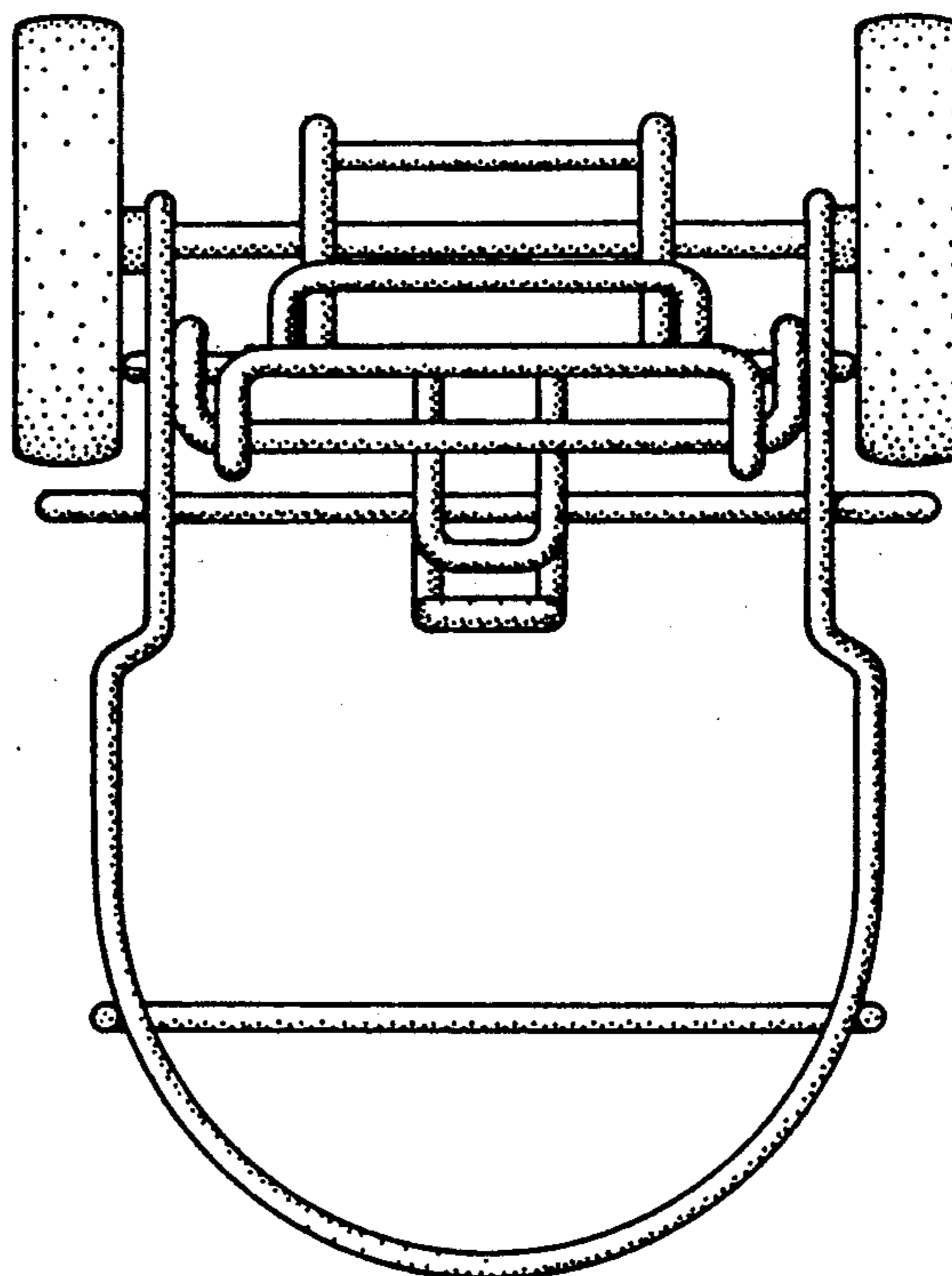


FIG. 6

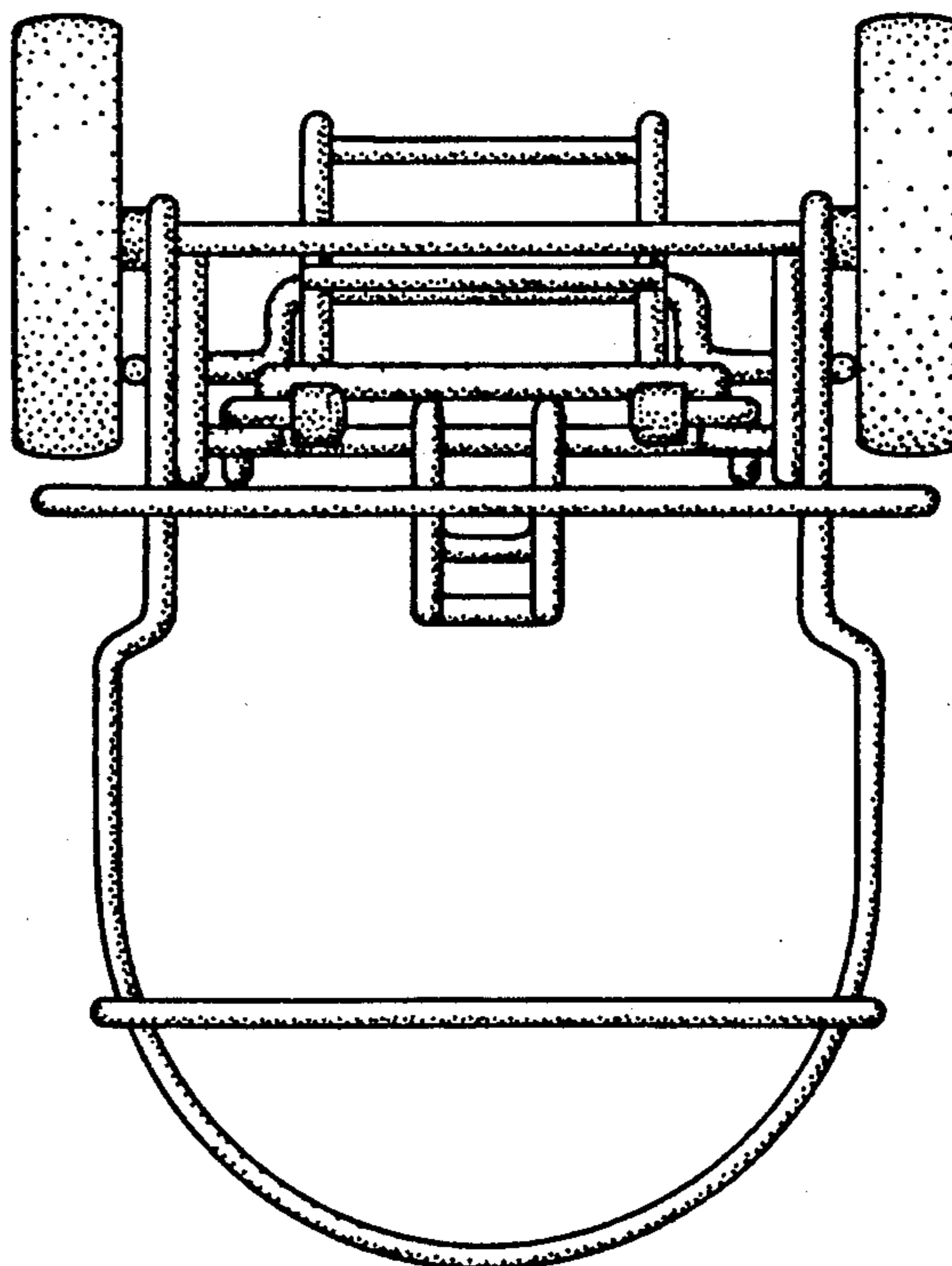


FIG. 7

