



US00D335736S

# United States Patent [19]

[11] Patent Number: **Des. 335,736**

Isom

[45] Date of Patent: **\*\* May 18, 1993**

[54] **ELECTRIC LIGHT CART WITH LADDER HOLDER**

3,087,740	4/1963	Mitty et al.	280/47.26
3,897,080	7/1975	Isom	280/47.19
4,253,716	3/1981	Turner, Jr.	280/47.26
4,998,743	3/1991	Thielen	280/47.19

[76] Inventor: **William C. Isom, 9430 Folkstone Rd., Dallas, Tex. 75220**

*Primary Examiner—Kay H. Chin*  
*Attorney, Agent, or Firm—Baker & Botts*

[\*\*] Term: **14 Years**

[57] **CLAIM**

[21] Appl. No.: **779,611**

The ornamental design for an electric light cart with ladder holder, as shown and described.

[22] Filed: **Oct. 21, 1991**

**DESCRIPTION**

[52] U.S. Cl. .... **D34/25; D34/26; D34/19**

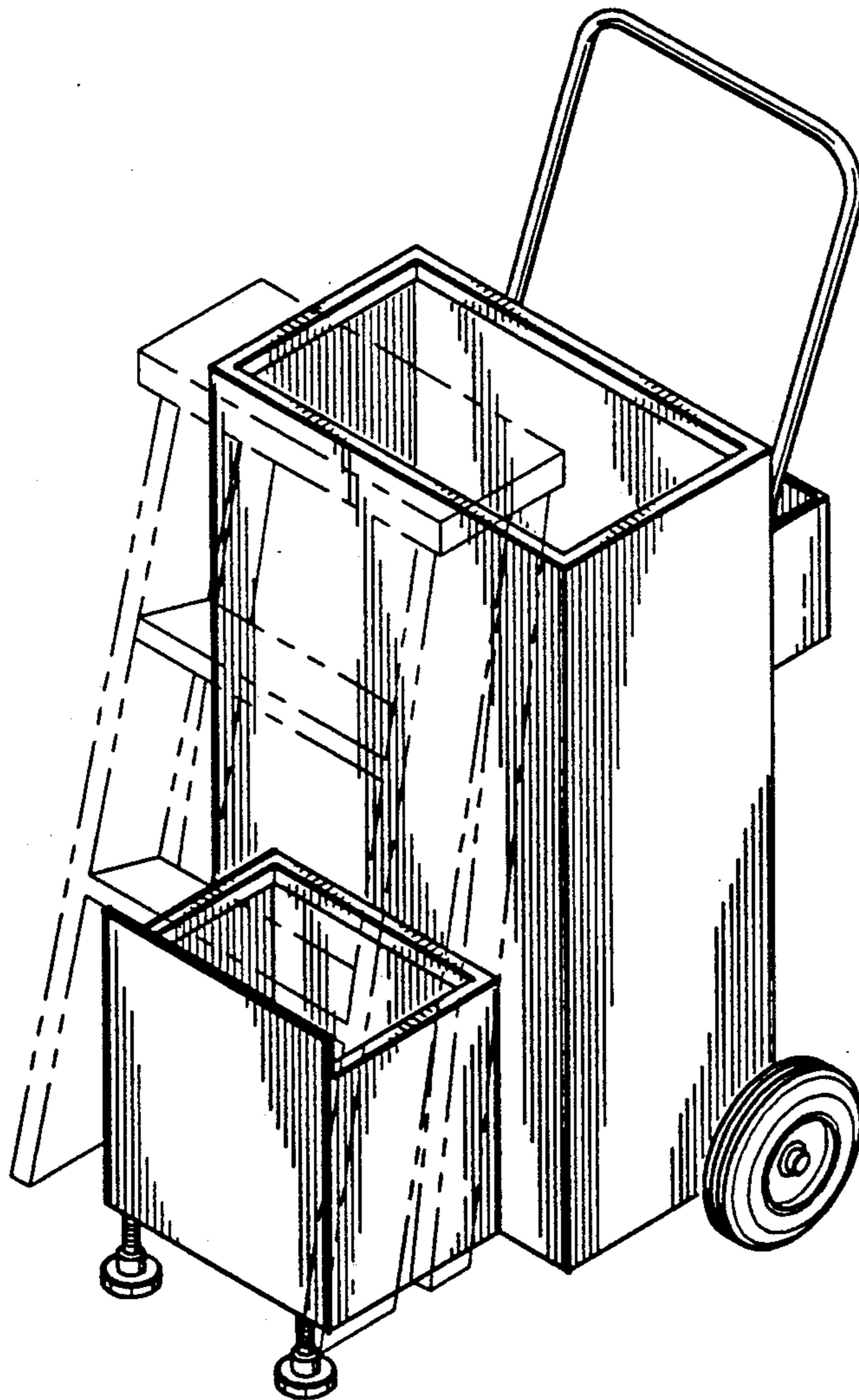
[58] Field of Search ..... **D34/12, 17, 19, 26, D34/25; 280/47.26, 47.19, 47.18, 47.34, 47.35**

FIG. 1 is a perspective view of the electric light cart with ladder holder of the present invention; FIG. 2 is a front elevation view of my design; FIG. 3 is a left side elevation view of my design, the right side being a mirror image thereof; FIG. 4 is a back elevation view of my design; and, FIG. 5 is a top plan view of my new design.

[56] **References Cited**

**U.S. PATENT DOCUMENTS**

2,597,544 5/1952 Swain ..... 280/47.19



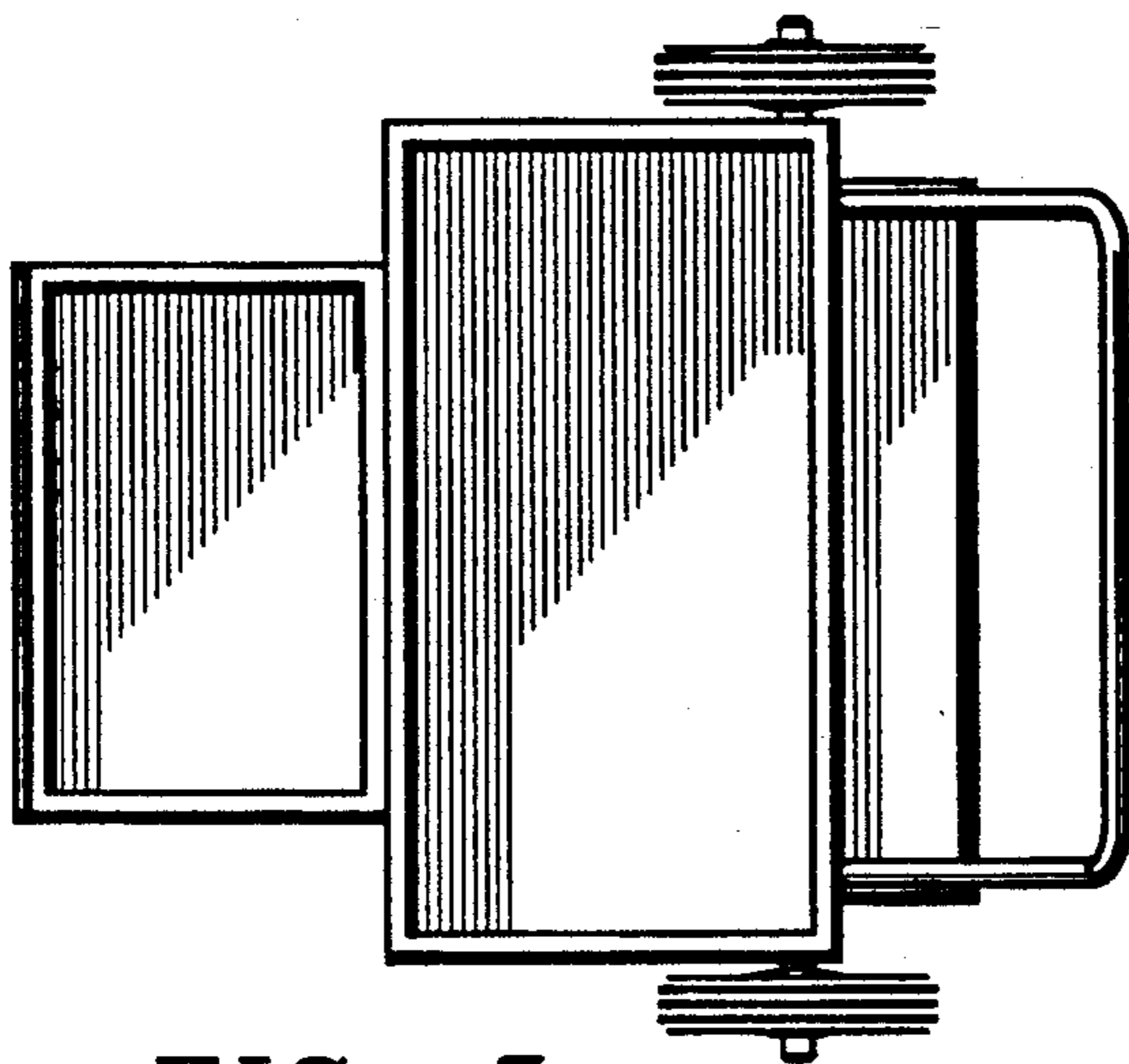
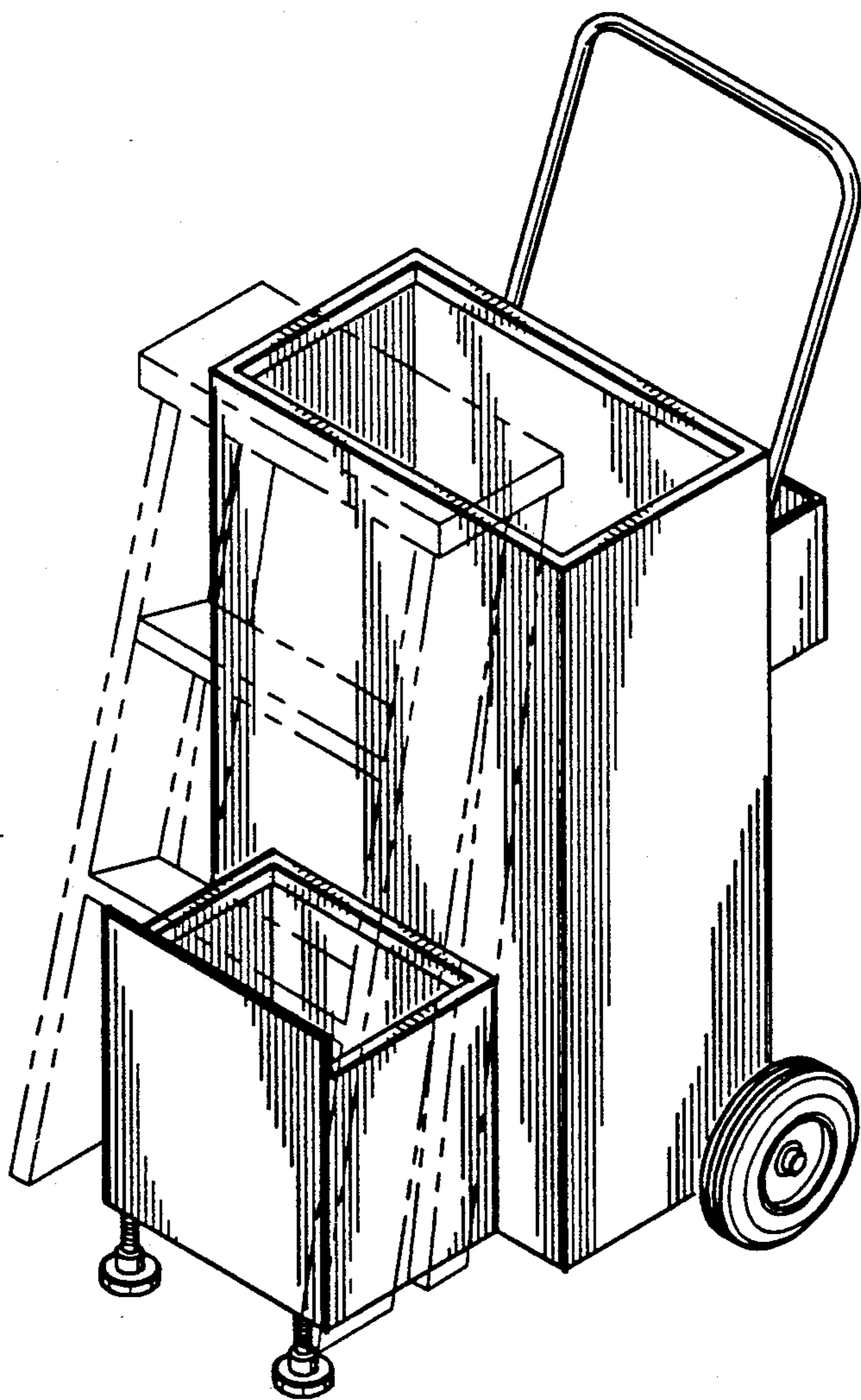


FIG. 5

FIG. 1



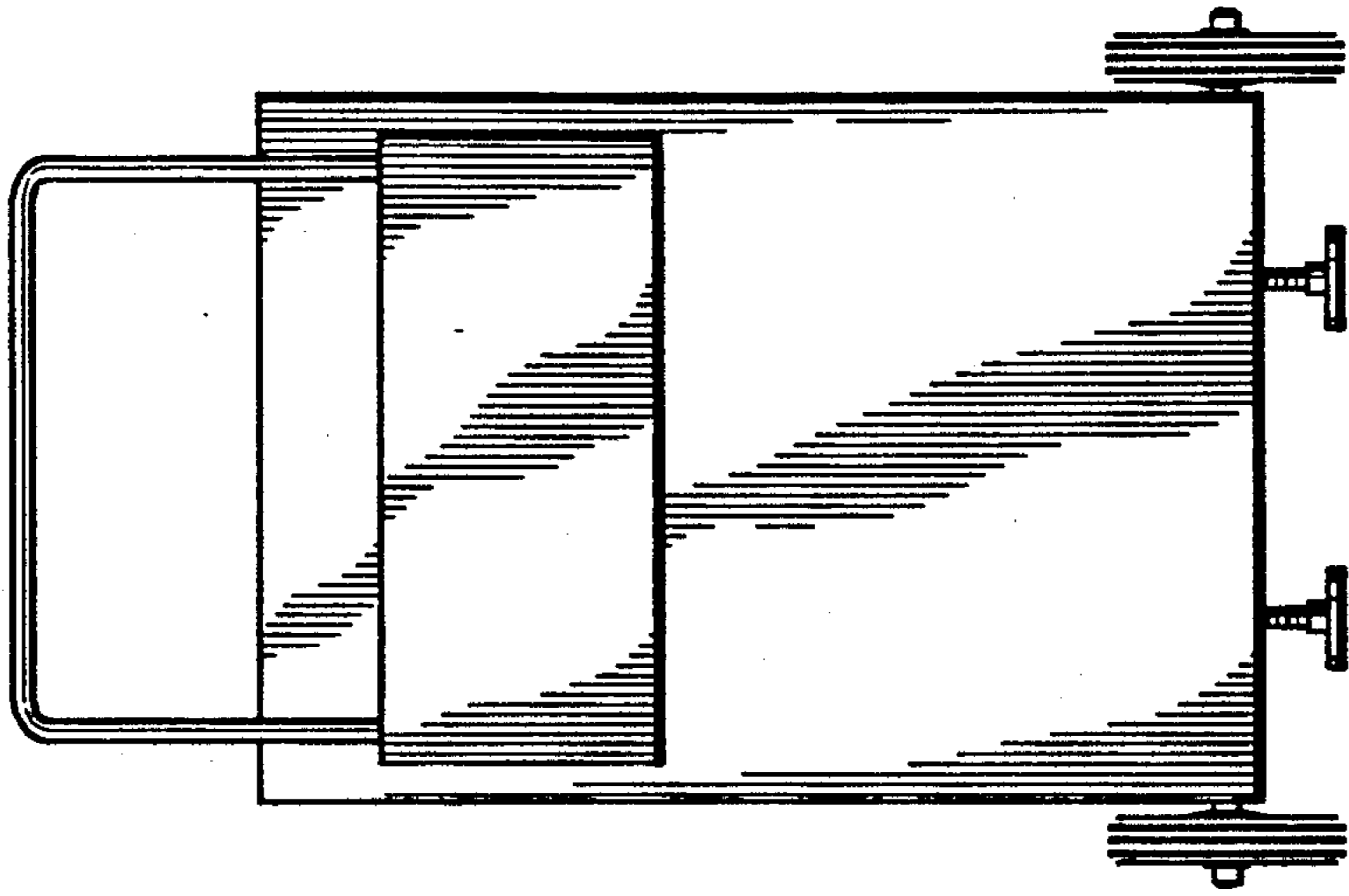


FIG. 4

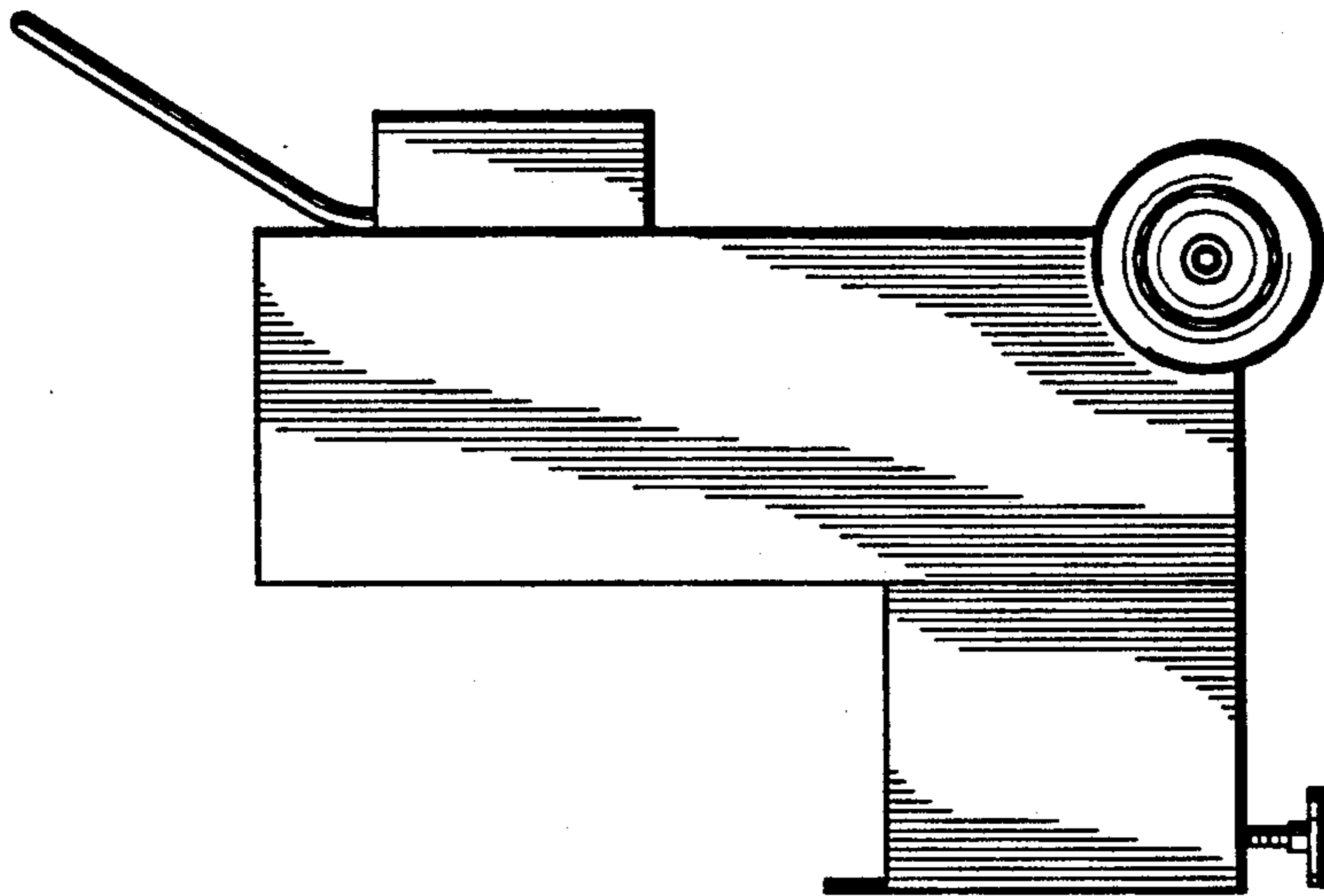


FIG. 3

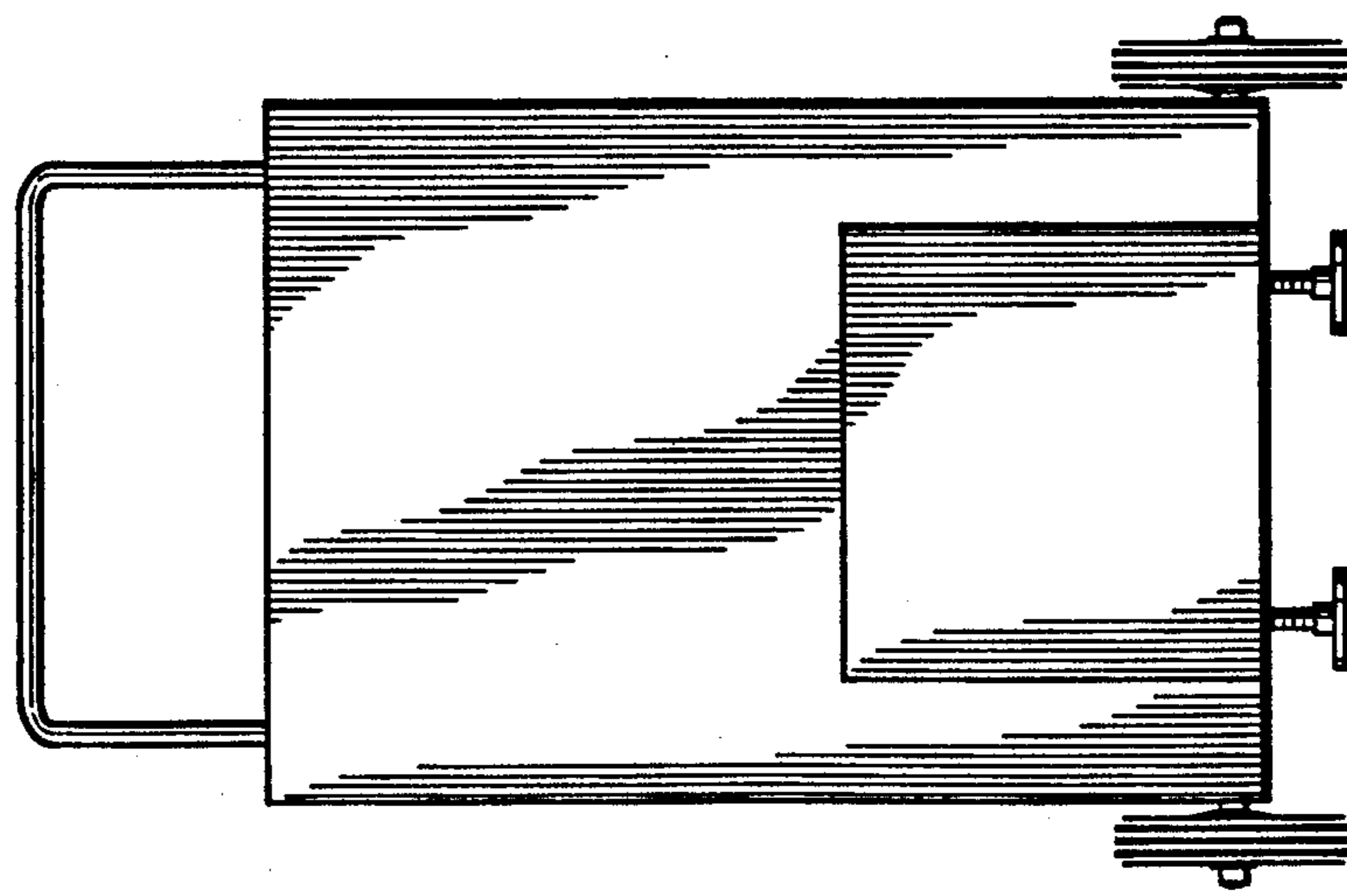


FIG. 2