



US00D335734S

United States Patent [19]

[11] Patent Number: **Des. 335,734**

Senn

[45] Date of Patent: **** May 18, 1993**

[54] **EQUIPMENT CARRIER HANDCART**

2,964,328 12/1960 Muir 280/47.19
4,998,743 3/1991 Thielen 280/47.26

[76] Inventor: **John J. Senn, 320 E. Grand Ave.,
Wisconsin Rapids, Wis. 54494**

*Primary Examiner—Kay H. Chin
Attorney, Agent, or Firm—Jacobson, Price, Holman &
Stern*

[**] Term: **14 Years**

[21] Appl. No.: **757,503**

[57] **CLAIM**

[22] Filed: **Sep. 11, 1991**

The ornamental design for an equipment carrier hand-
cart, as shown and described.

[52] U.S. Cl. **D34/25; D34/26**

[58] Field of Search **D34/12, 15, 24, 25,
D34/26; 280/47.19, 47.26, 47.27, 47.29, 655,
652, 47.24**

DESCRIPTION

[56] **References Cited**

U.S. PATENT DOCUMENTS

D. 301,654 6/1989 Tipke D34/26
2,262,298 11/1941 Procter D34/15
2,835,503 5/1958 Humphries et al. 280/47.19
2,842,373 7/1958 Duerr 280/47.19

FIG. 1 is a left rear perspective view of an equipment
carrier handcart showing my new design;
FIG. 2 is a right side elevation view thereof, the oppo-
site side being a mirror image of that shown;
FIG. 3 is a front elevation view thereof;
FIG. 4 is a rear elevation view thereof;
FIG. 5 is a top plan view thereof; and,
FIG. 6 is a bottom plan view thereof.

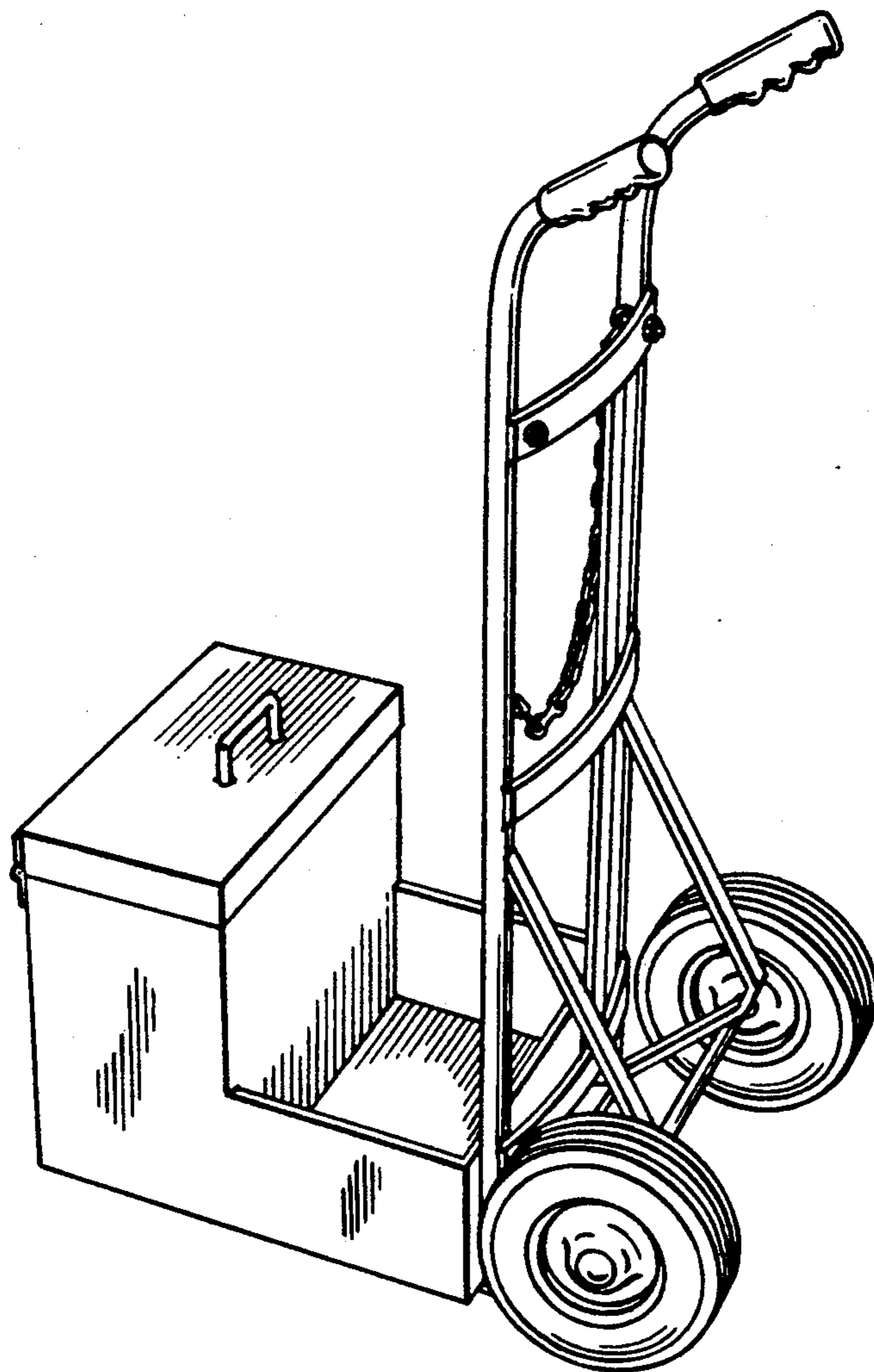


FIG. 1

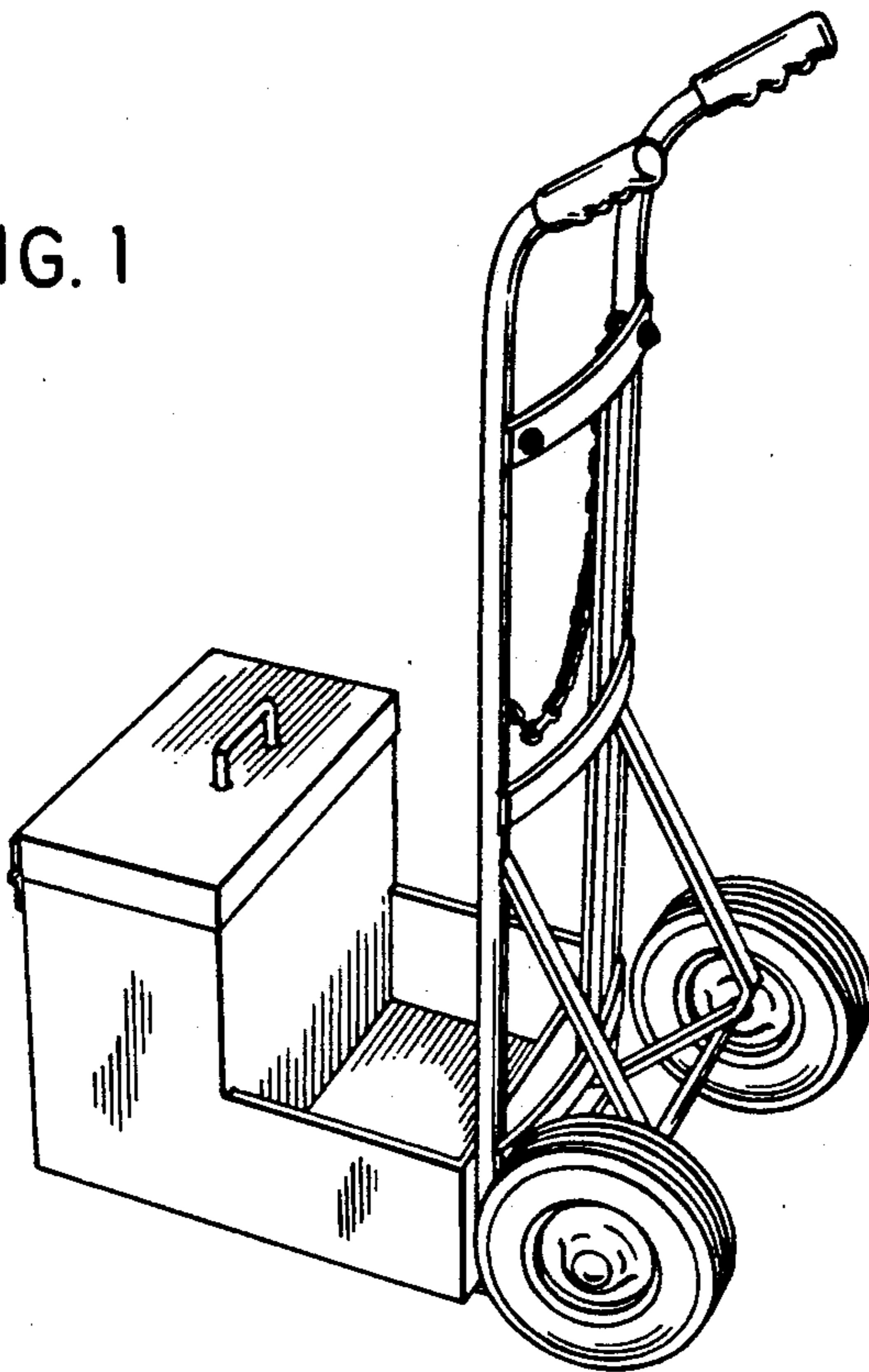


FIG. 3

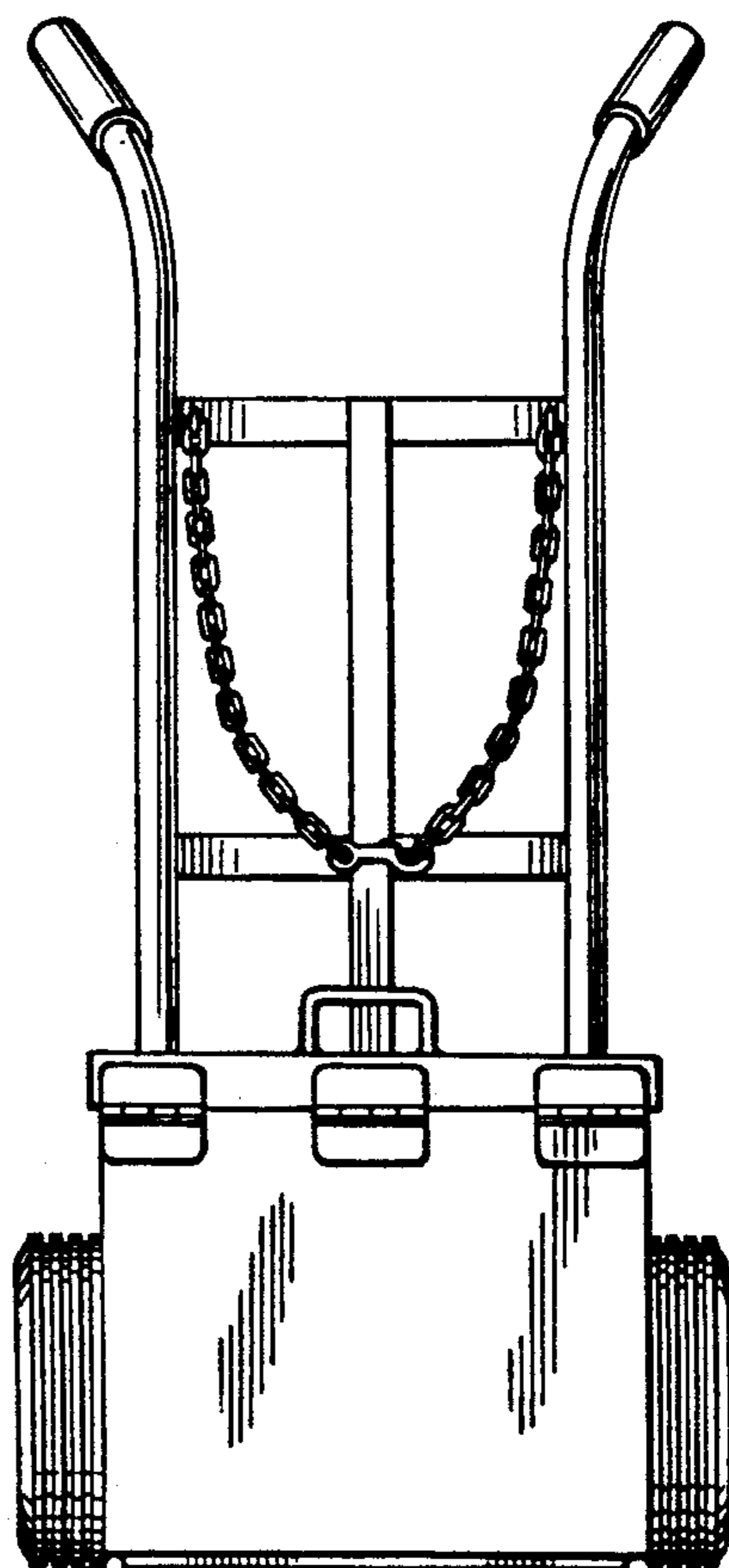


FIG. 2

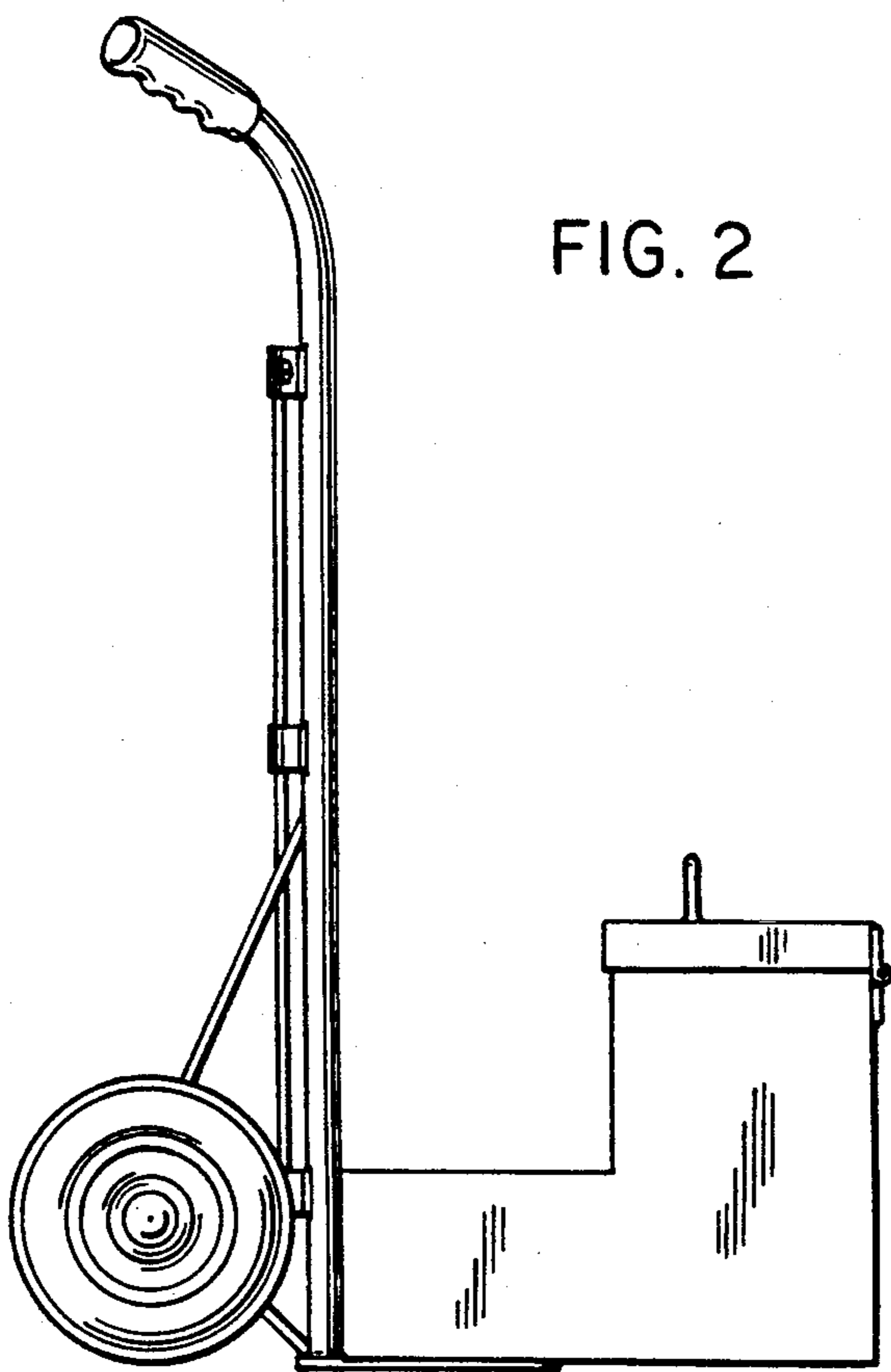


FIG. 4

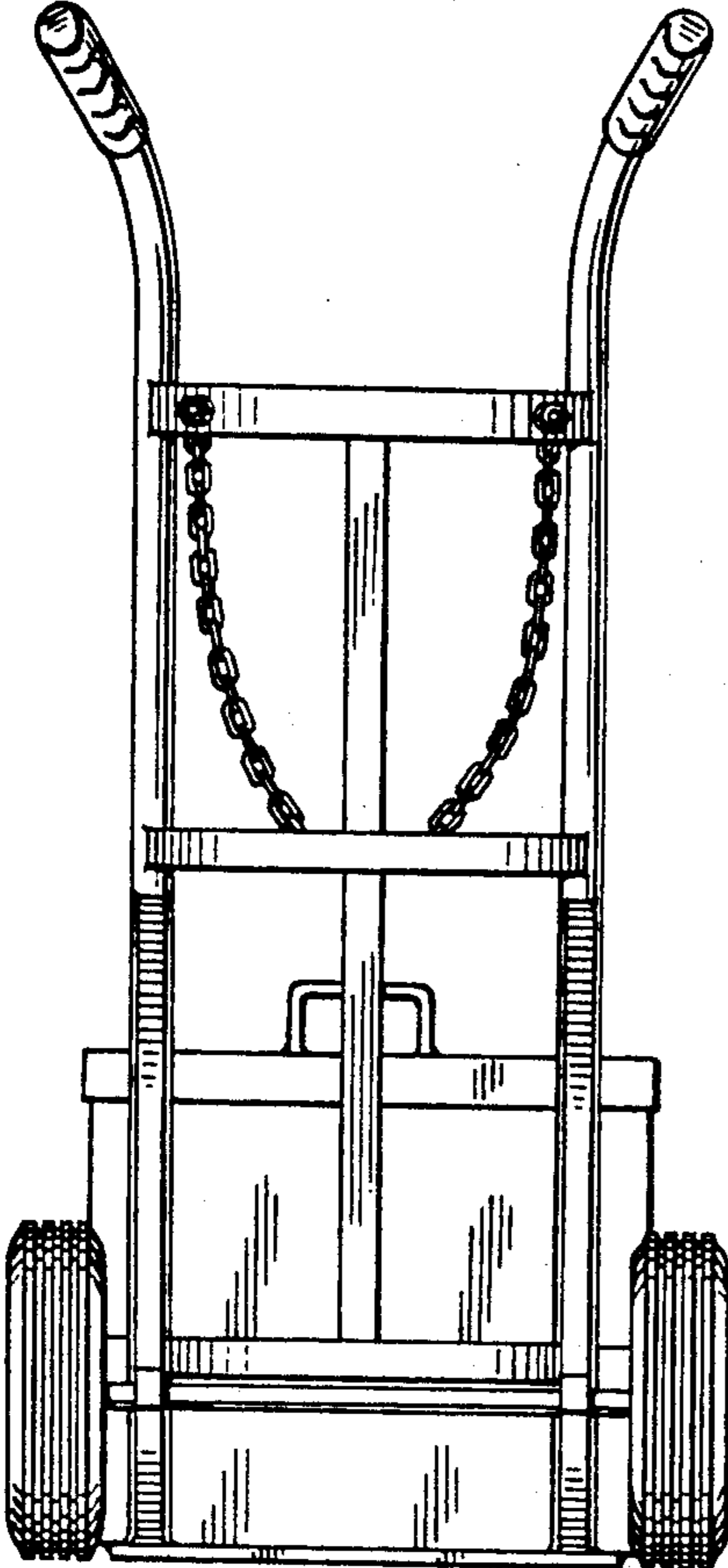


FIG. 5

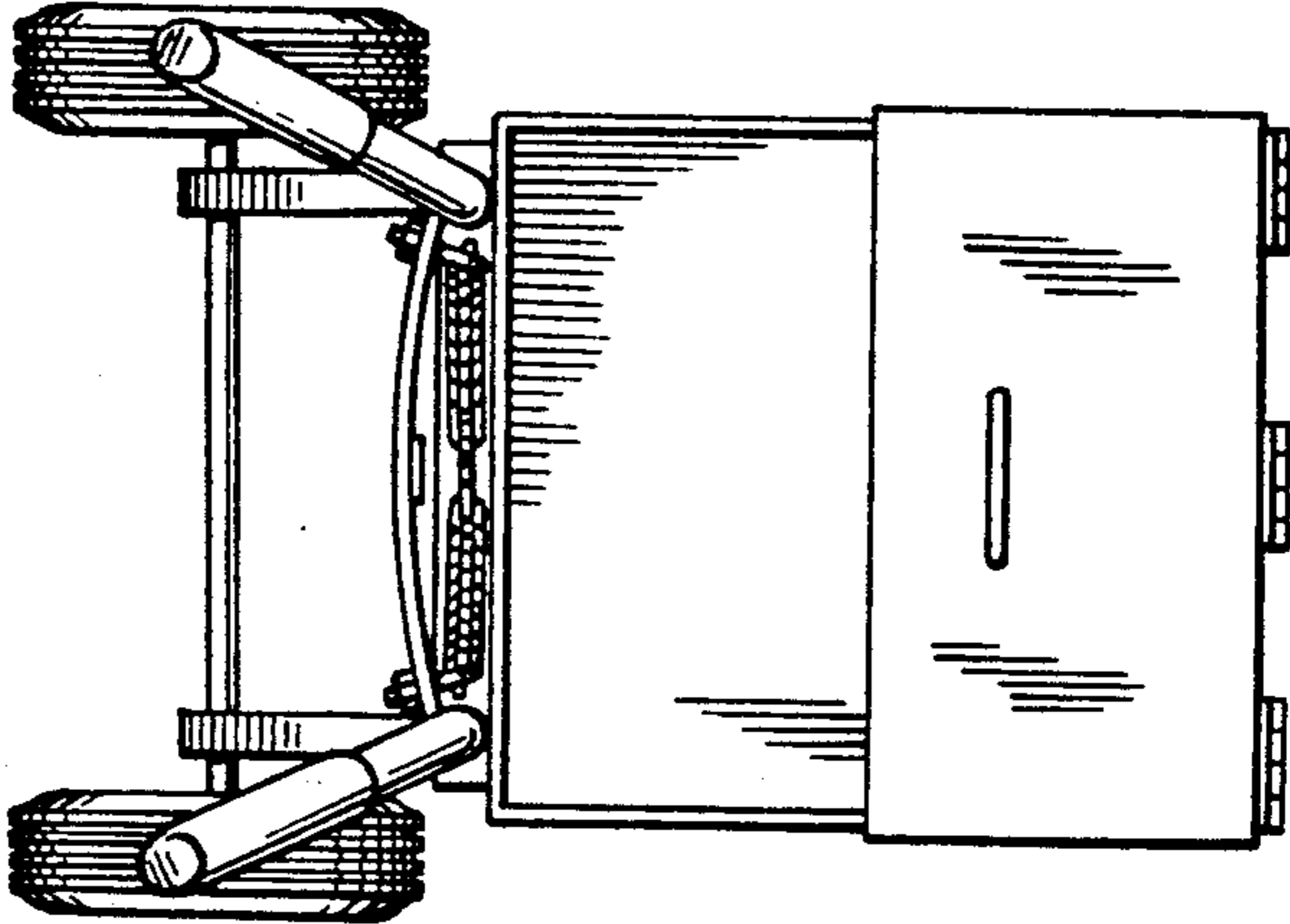


FIG. 6

