



US00D335731S

United States Patent [19]

[11] Patent Number: Des. 335,731

Allen

[45] Date of Patent: ** May 18, 1993

[54] BEACH CART

Primary Examiner—Kay H. Chin
Attorney, Agent, or Firm—Richard C. Litman

[76] Inventor: Theodore J. Allen, 619 Wesley Ave.,
Ocean City, N.J. 08226

[57] CLAIM

[**] Term: 14 Years

The ornamental design for a beach cart, as shown and described.

[21] Appl. No.: 786,903

DESCRIPTION

[22] Filed: Oct. 23, 1991

FIG. 1 is a front, right side and top environmental perspective view of a beach cart showing my new design, the portion of the figure shown in broken lines representing users of the design and other equipment, and forming no part of the claimed design;

[52] U.S. Cl. D34/17; D34/21

FIG. 2 is a top plan view thereof;

[58] Field of Search D34/12, 17, 19, 20,
D34/21; 280/47.35, 47.34, 47.4, 47.371

FIG. 3 is a right side elevational view thereof, the left side elevational view being a mirror image;

[56] References Cited

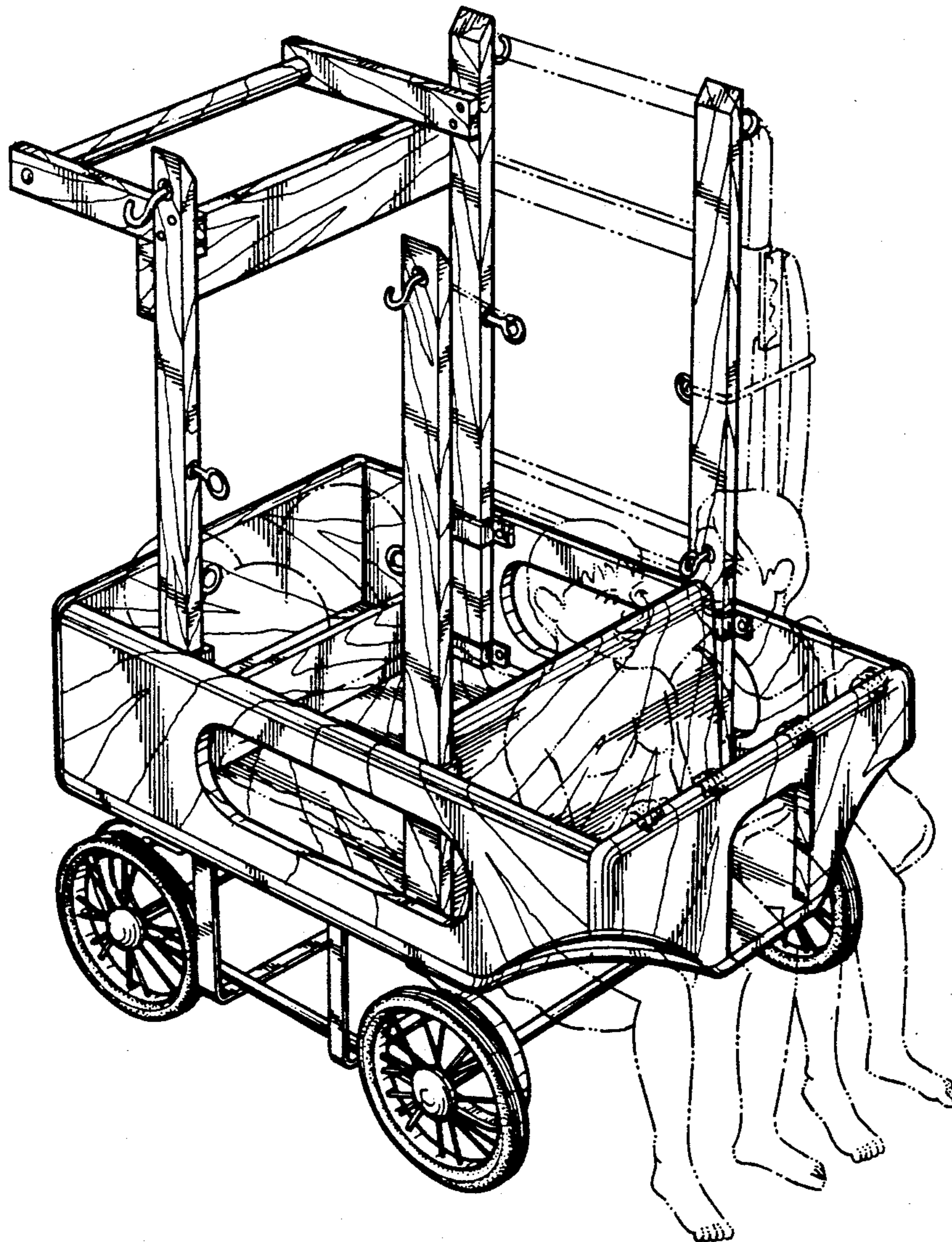
U.S. PATENT DOCUMENTS

2,544,099	3/1951	Malin	280/47.35
2,552,453	5/1951	Pintar	280/47.35
2,743,937	5/1956	Ginsberg	280/47.35
4,763,907	8/1988	Raymond	280/47.35

FIG. 4 is a front elevational view thereof;

FIG. 5 is a rear elevational view thereof; and,

FIG. 6 is a bottom plan view thereof.



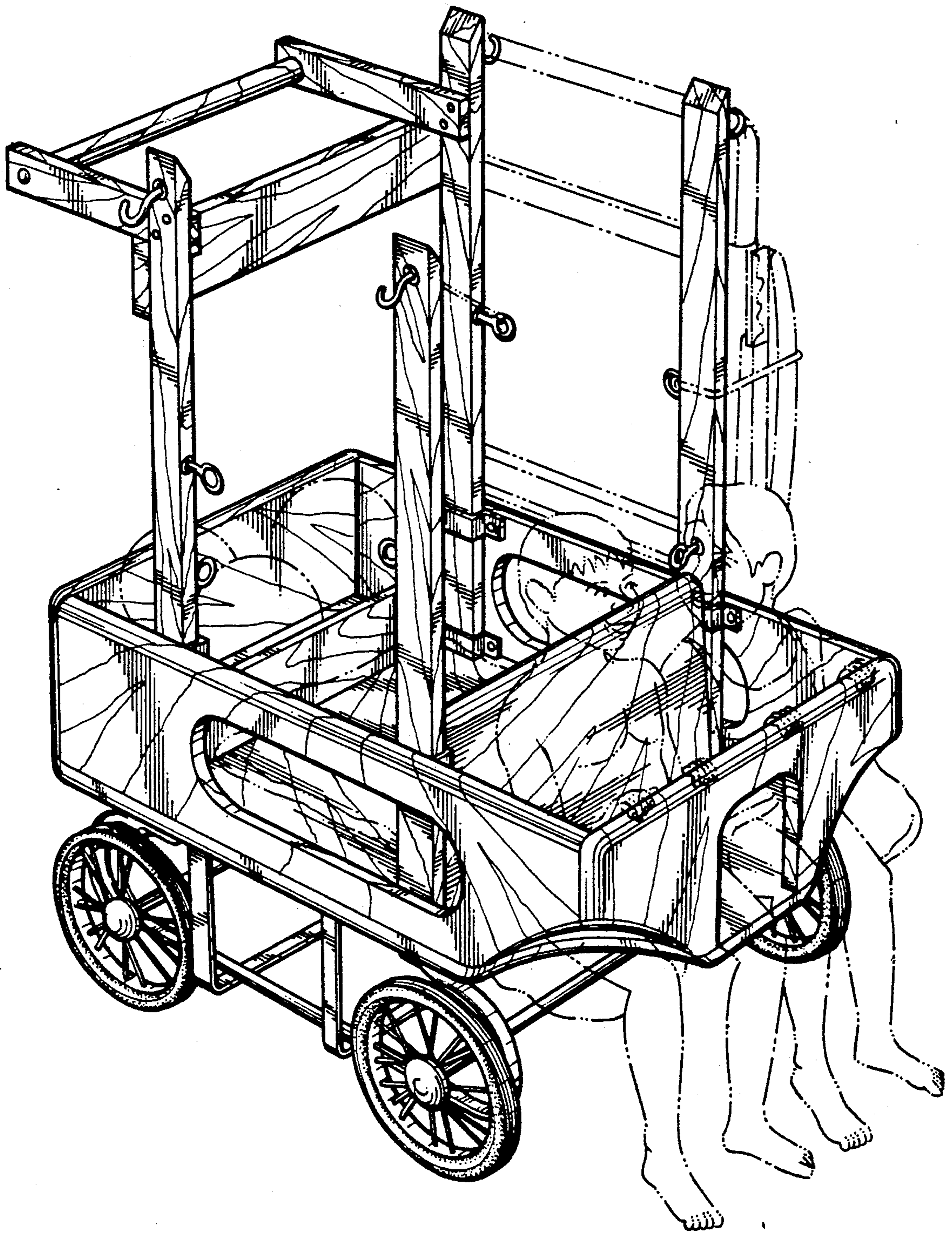


FIG. 1

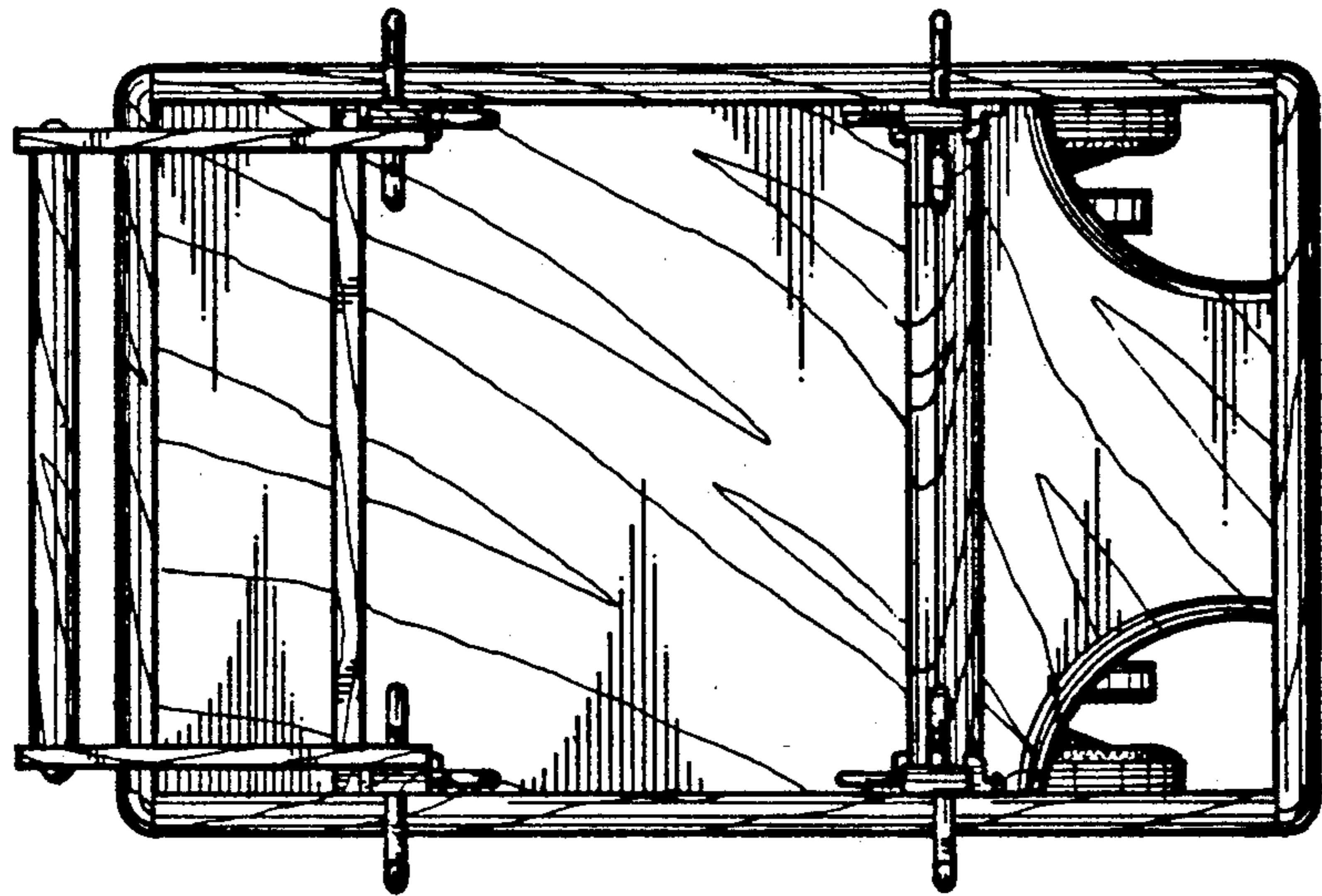


FIG. 2

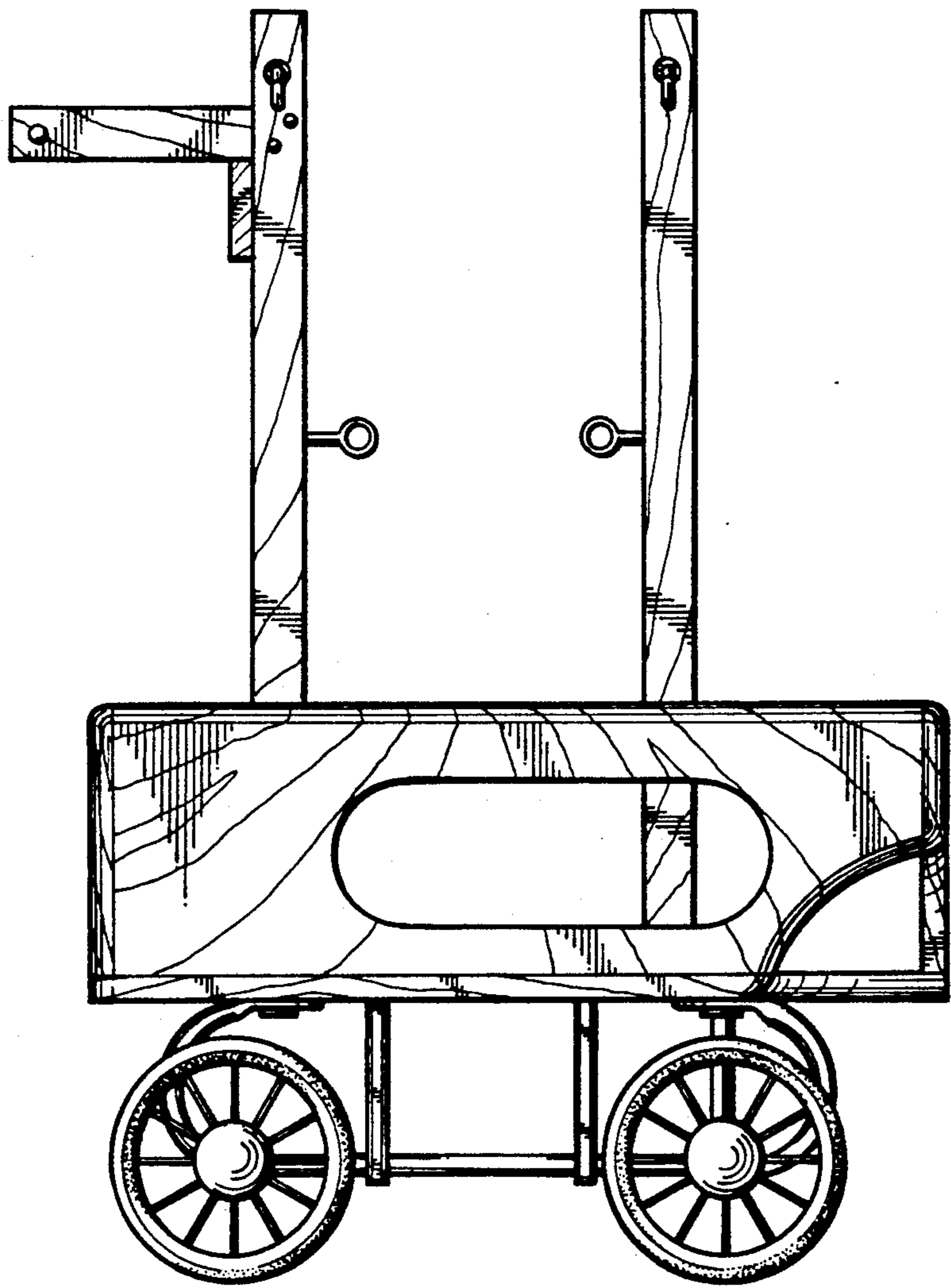


FIG. 3

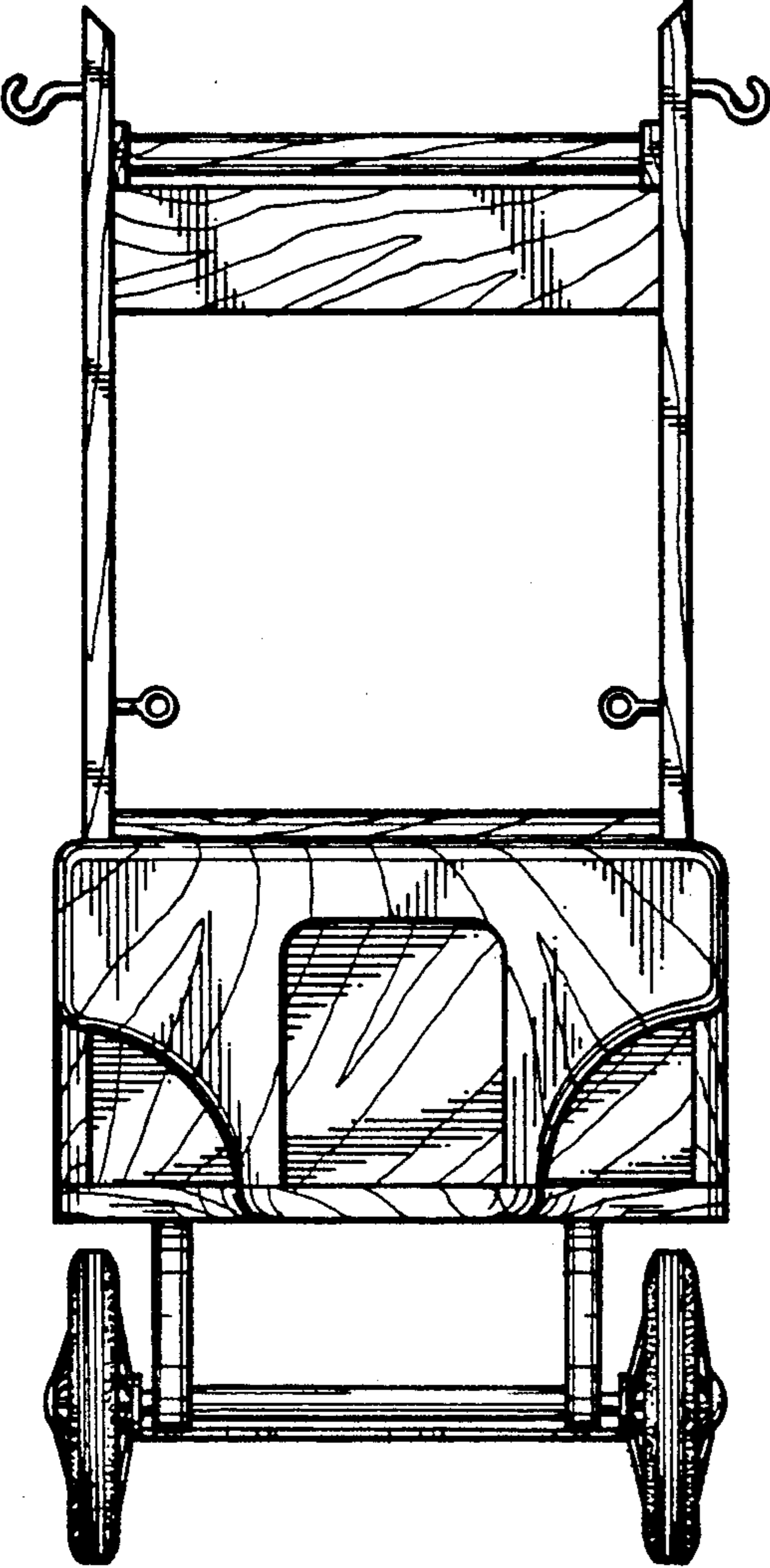


FIG. 4

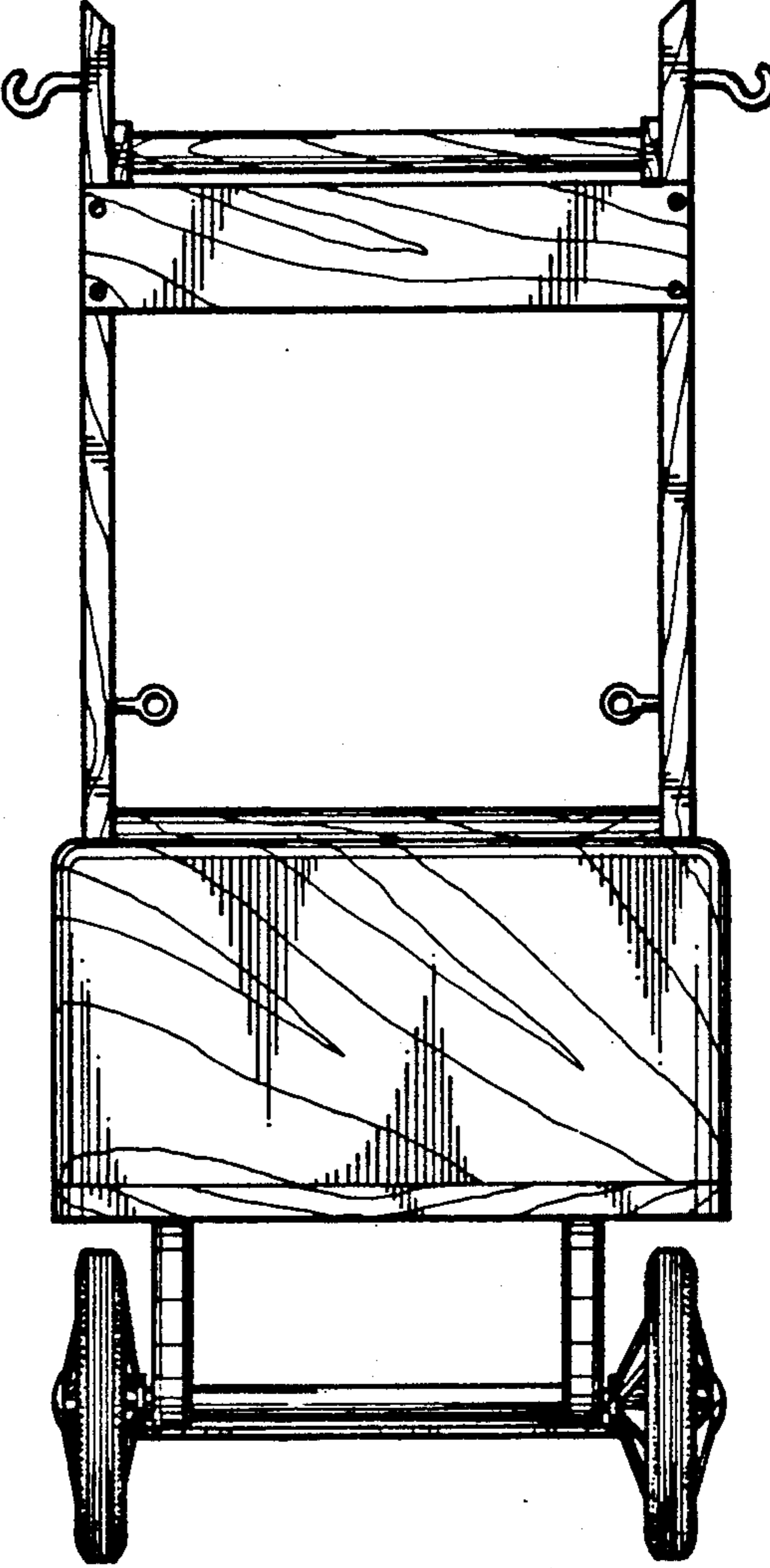


FIG. 5

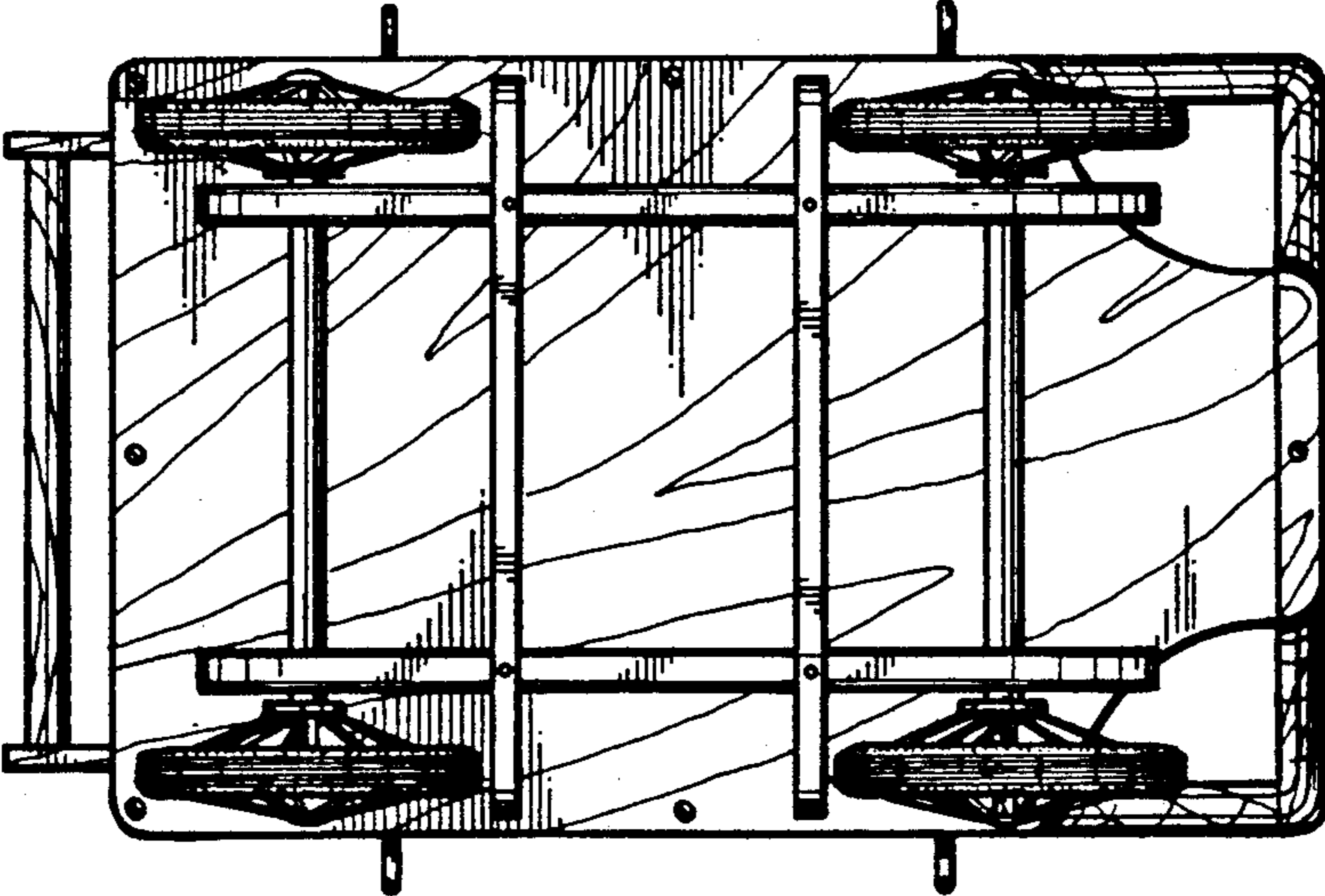


FIG. 6