



US00D335727S

United States Patent [19]

Kahl et al.

[11] Patent Number: **Des. 335,727**

[45] Date of Patent: **** May 18, 1993**

[54] **COMPOST CONTAINER**

[75] Inventors: **W. Henry Kahl, Wooster, Ohio;**
James A. Schillinger, Augusta, Kans.

[73] Assignee: **Rubbermaid Incorporated, Wooster, Ohio**

[**] Term: **14 Years**

[21] Appl. No.: **705,883**

[22] Filed: **May 28, 1991**

[52] U.S. Cl. **D34/1; D34/7**

[58] Field of Search **D34/1, 7; 52/192, 245;**
71/14; 454/173, 275; 220/4.09, 908, 501, 4.16,
4.28

4,352,888 10/1982 Tisbo et al. 435/287
5,096,080 3/1992 Penny 71/14
5,118,005 6/1992 Onodera 71/14

OTHER PUBLICATIONS

Sell Sheet, Remaplan GmbH, Unterhachinger Strabe 75, D-8000, Munchen 83. Publication date Jan., 1990.

Primary Examiner—Kay H. Chin
Attorney, Agent, or Firm—Richard B. O'Planick

CLAIM

[57] The ornamental design for a compost container, as shown and described.

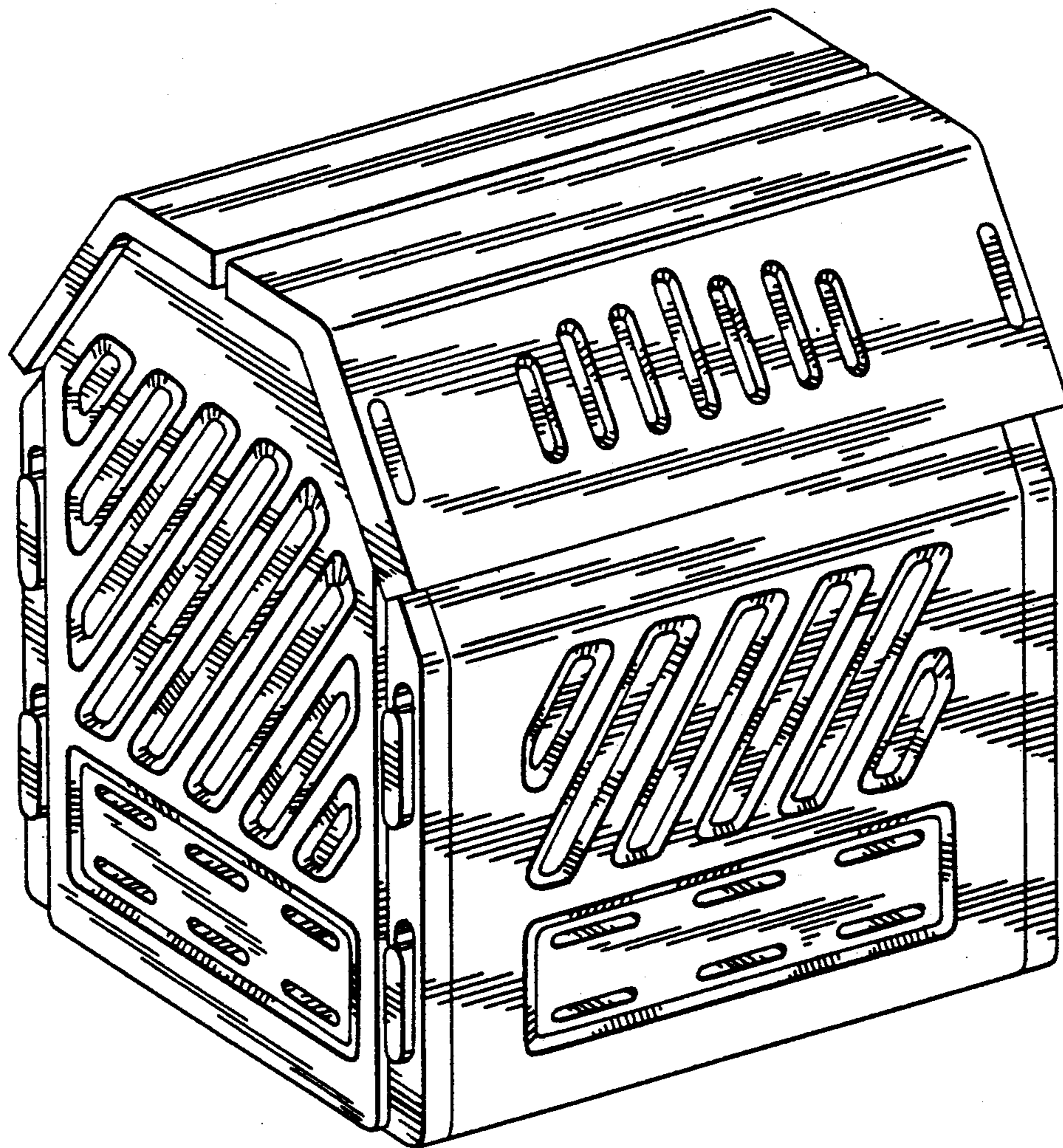
DESCRIPTION

FIG. 1 is a top left front perspective view of compost container embodying our new design;
FIG. 2 is a front elevational view thereof; the rear elevational view being a mirror image;
FIG. 3 is a right side elevational view thereof; the opposite side being a mirror image;
FIG. 4 is a bottom plan view thereof; and,
FIG. 5 is a top plan view thereof.

[56] **References Cited**

U.S. PATENT DOCUMENTS

D. 263,365	3/1982	Arato	D34/1
2,535,627	12/1950	Earp-Thomas	98/54
4,105,412	8/1978	Petzinger	23/259.1
4,108,609	8/1978	Petzinger	23/259.1
4,343,907	8/1982	Graefe	435/313



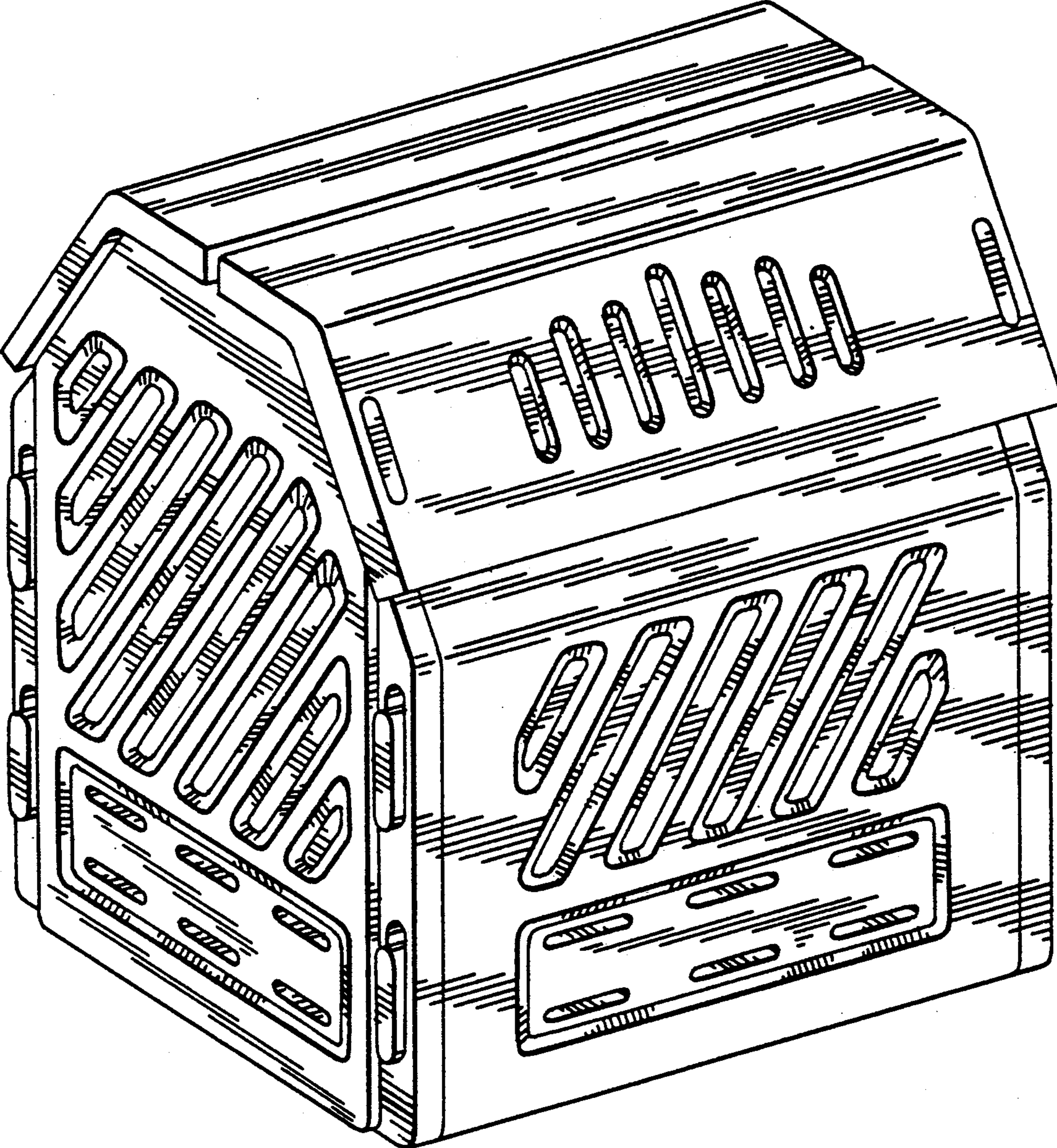


FIG. 1

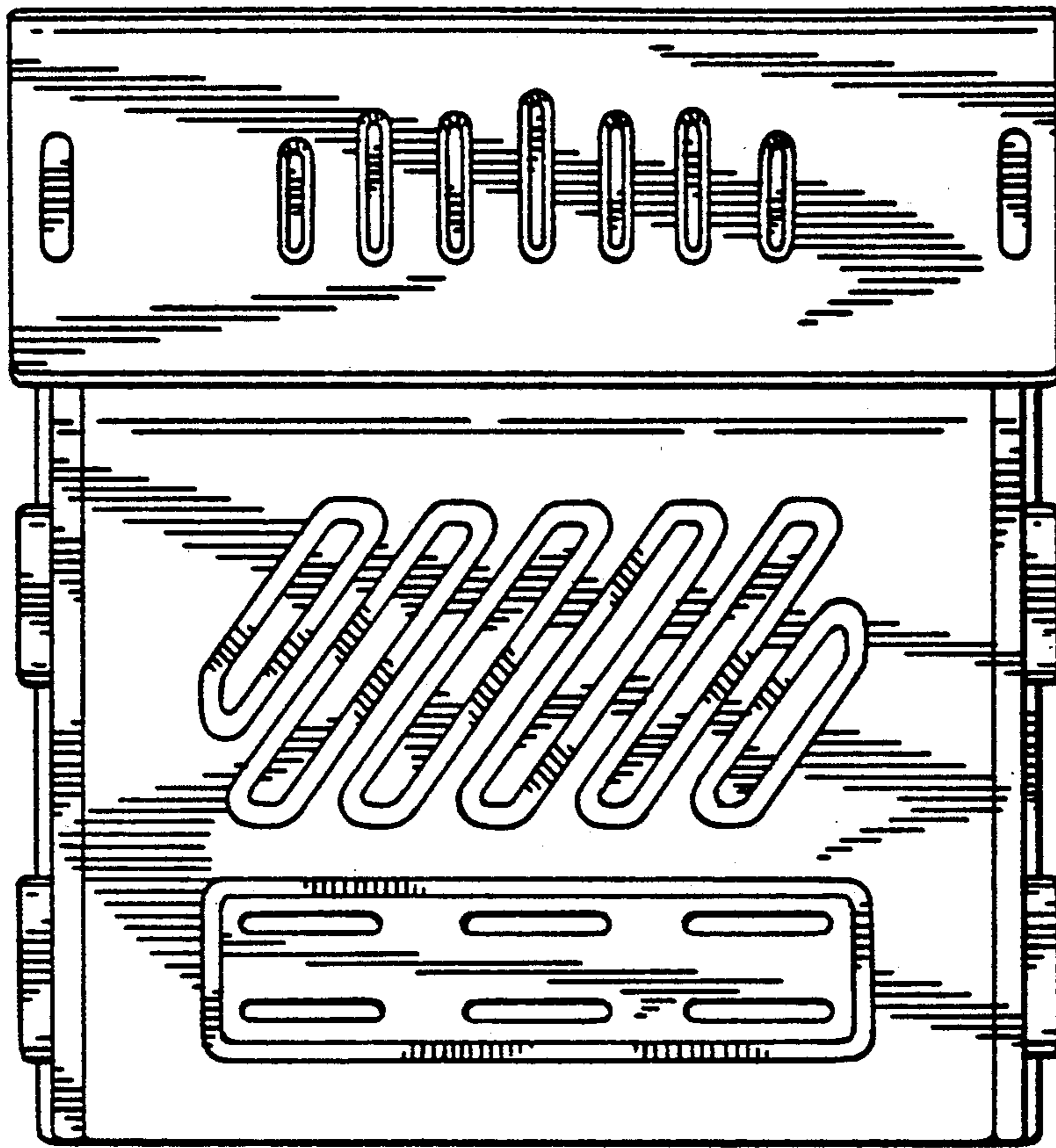


FIG. 2

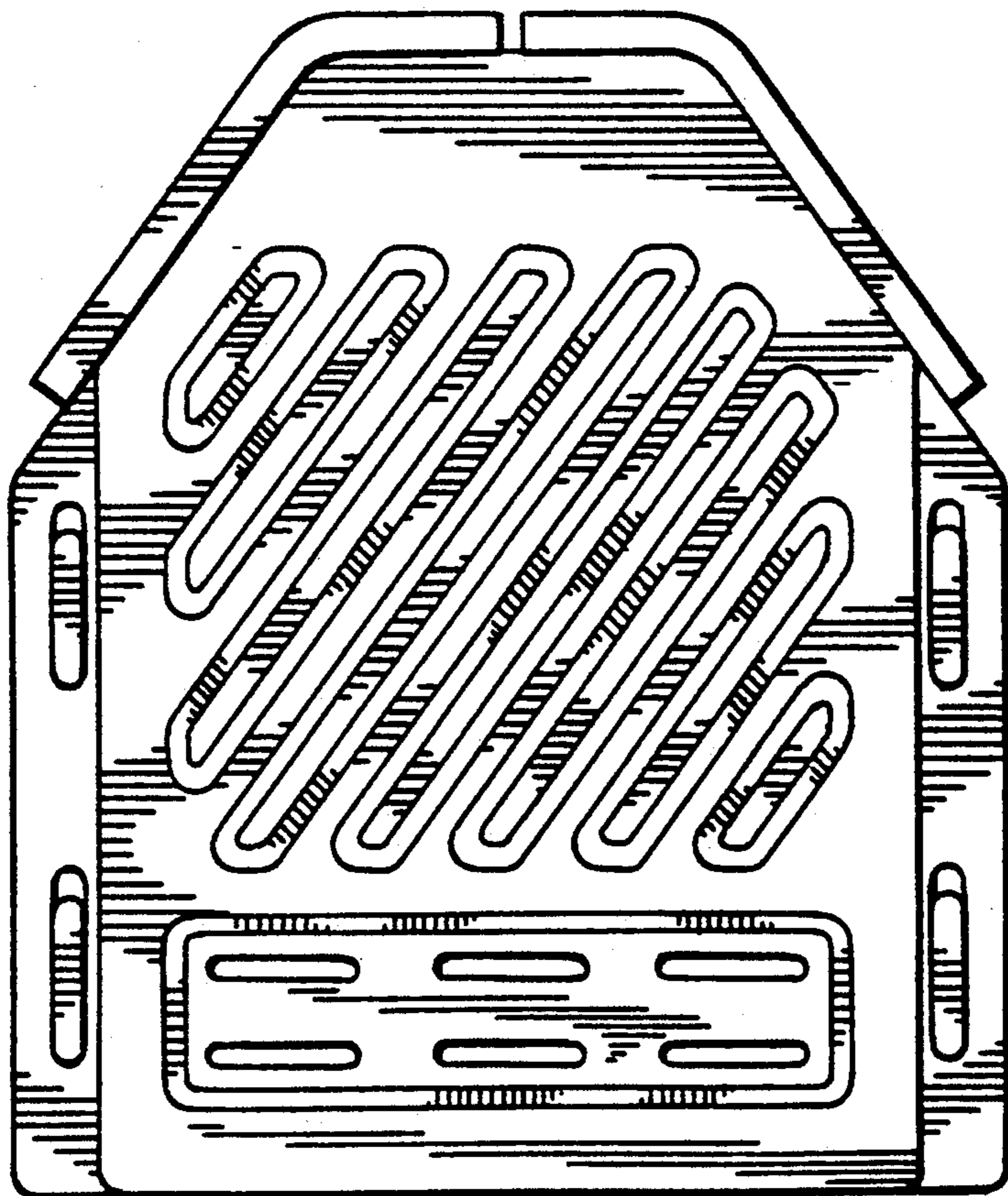


FIG. 3

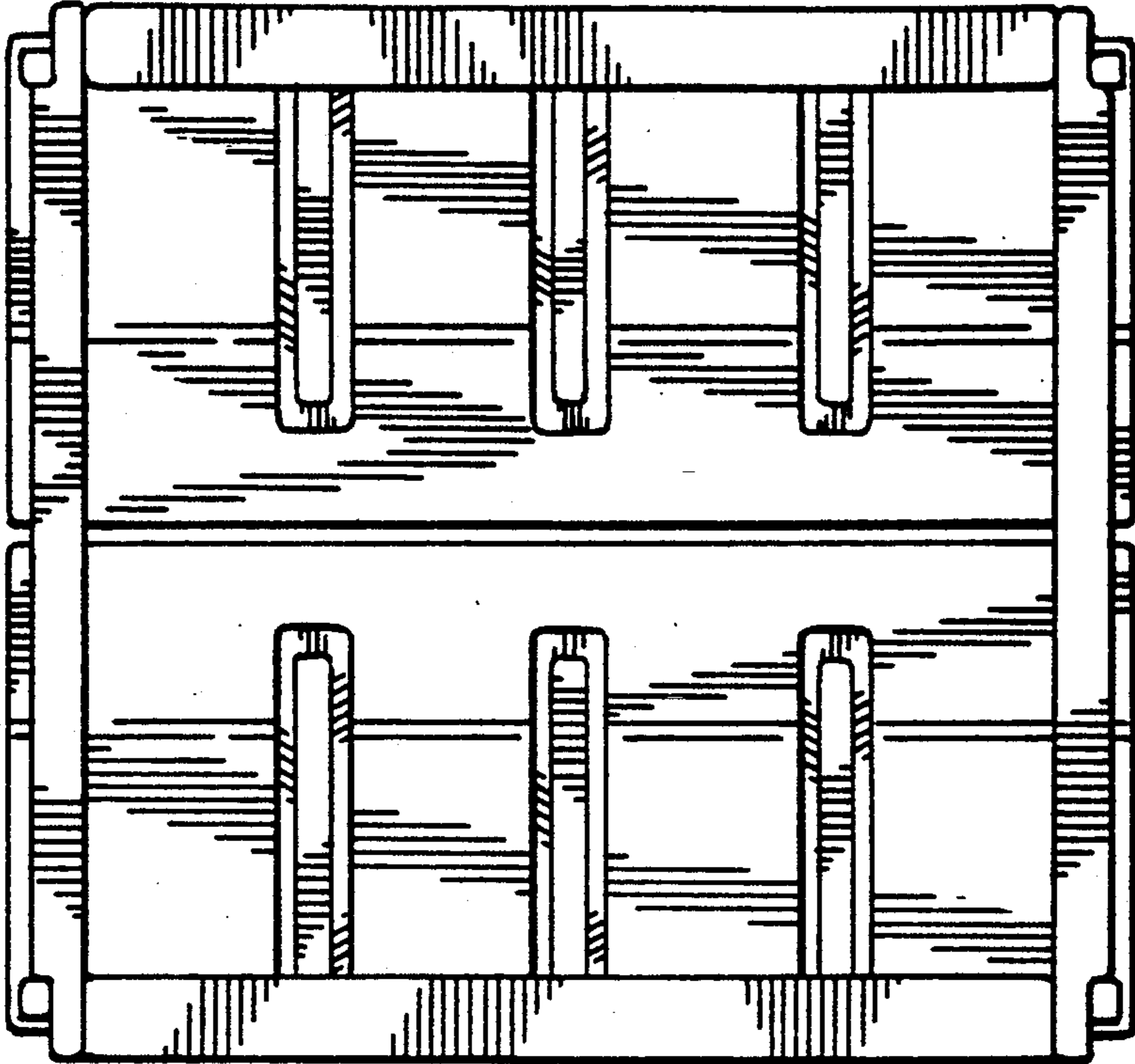


FIG. 4

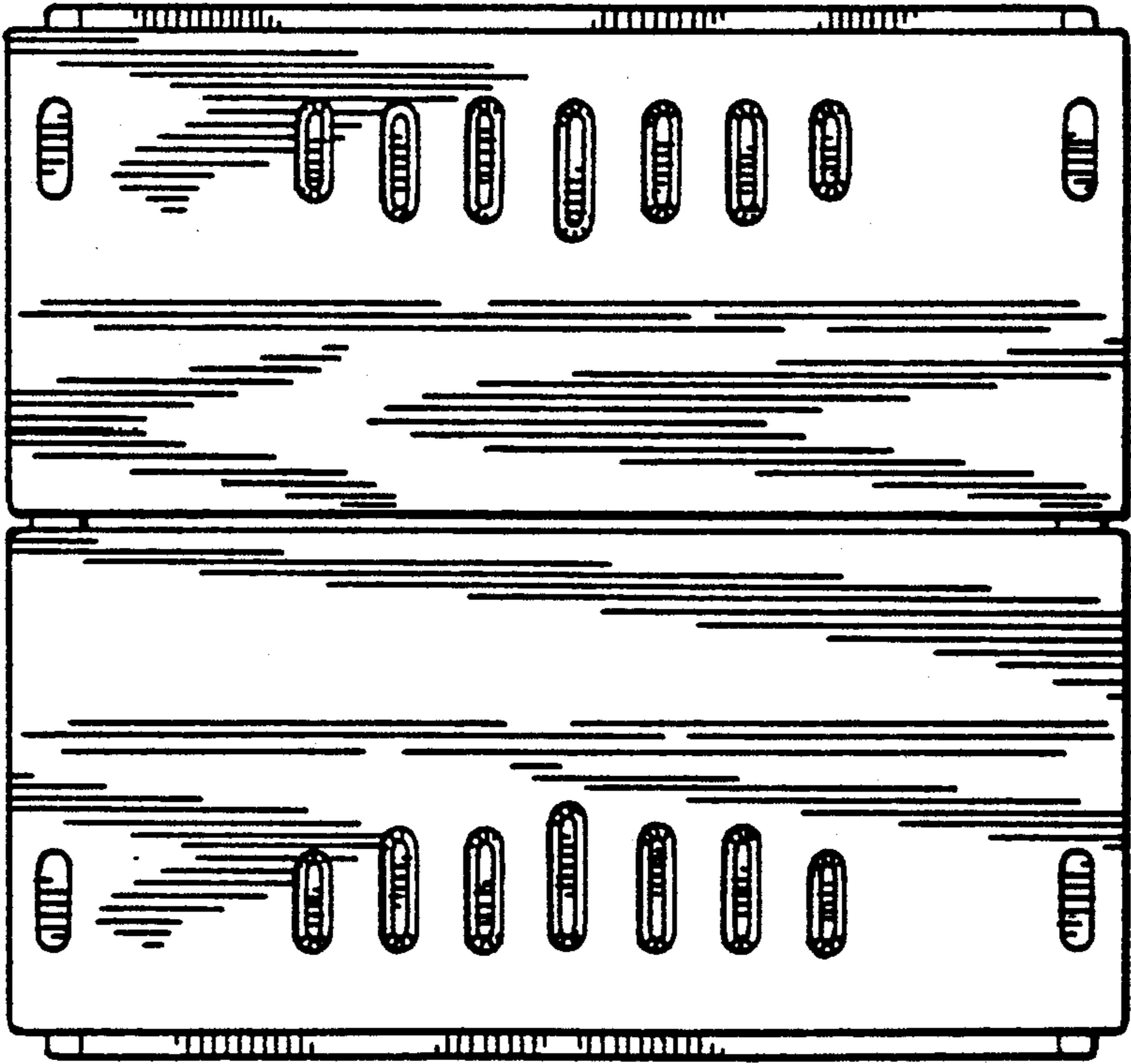


FIG. 5