



US00D335725S

United States Patent [19]

[11] Patent Number: **Des. 335,725**

Fasino

[45] Date of Patent: **** May 18, 1993**

[54] BIRD FEEDER

[76] Inventor: **Victor Fasino, 62 Oneida Ave., Landing, N.J. 07850**

[**] Term: **14 Years**

[21] Appl. No.: **686,569**

[22] Filed: **Apr. 17, 1991**

[52] U.S. Cl. **D30/126**

[58] Field of Search **D30/124-128; 119/52.2-52.3, 69.5, 51.03, 57.8, 57.9, 28.5, 61**

[56] References Cited

U.S. PATENT DOCUMENTS

D. 142,561	10/1945	Hyde	119/57.8
D. 287,081	12/1986	Helinsky	D30/128
D. 299,568	1/1989	Waltemeyer	119/52.2
D. 301,777	6/1989	Fasino	D30/126
D. 301,778	6/1989	Fasino	D30/127
3,094,100	6/1963	Wise	119/51.03
3,664,303	5/1972	Baensch	119/51.03
4,318,364	3/1982	Bescherer	119/57.8
4,934,319	6/1990	Waltemeyer	119/57.8
5,078,098	1/1992	Ragen	119/52.2

FOREIGN PATENT DOCUMENTS

3320833 12/1984 Fed. Rep. of Germany 119/57.8

Primary Examiner—A. Hugo Word
Assistant Examiner—Cathy Anne MacCormac
Attorney, Agent, or Firm—Bernard J. Murphy

[57] CLAIM

The ornamental design for a bird feeder, as shown and described.

DESCRIPTION

FIG. 1 is a front elevational view of a bird feeder showing my new design, the rear being a mirror image of the view shown;

FIG. 2 is a side elevational view thereof, the opposite side being a mirror image of the view shown;

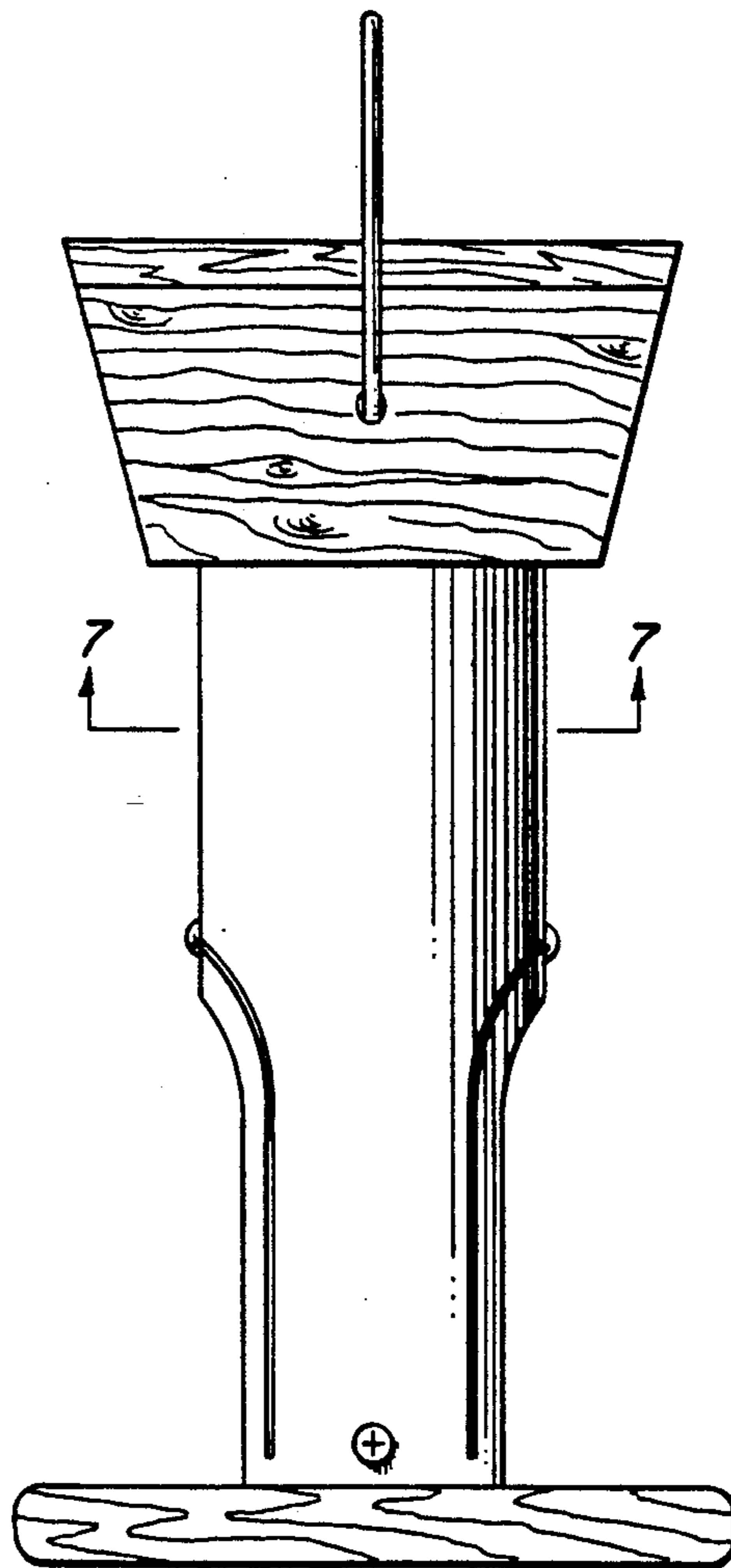
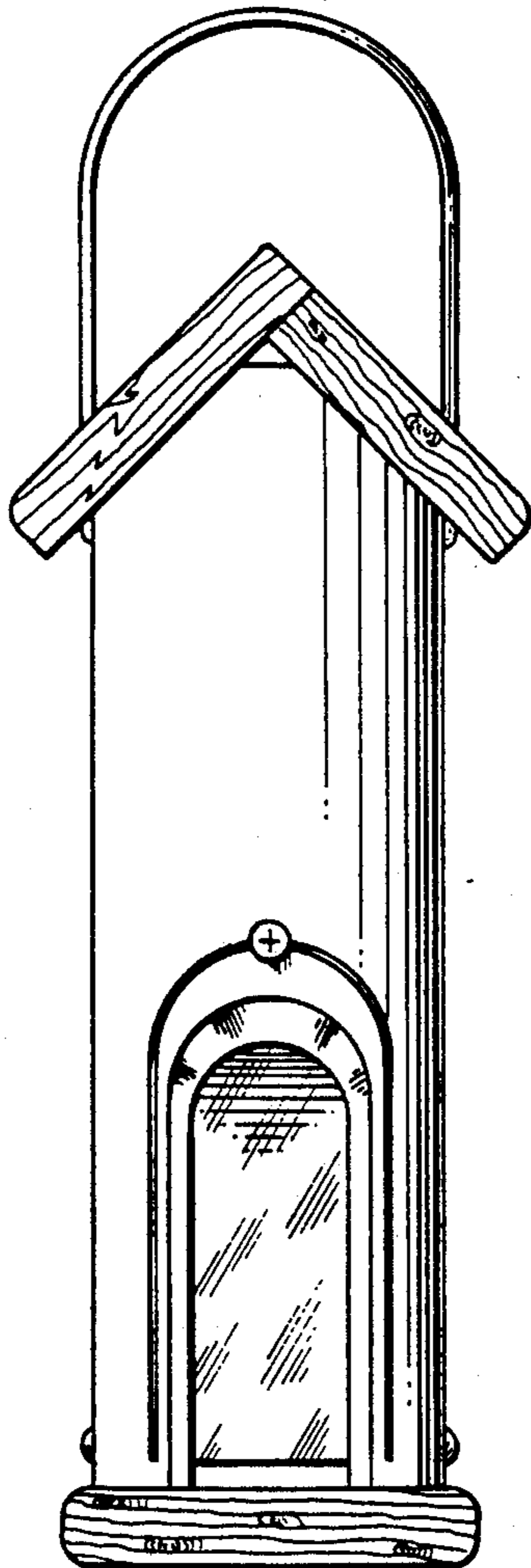
FIG. 3 is a top plan view thereof;

FIG. 4 is a bottom plan view thereof;

FIG. 5 is a top plan view of the base;

FIG. 6 is a cross sectional view taken on line 6—6 of FIG. 5; and,

FIG. 7 is a cross sectional view taken on line 7—7 of FIG. 2.



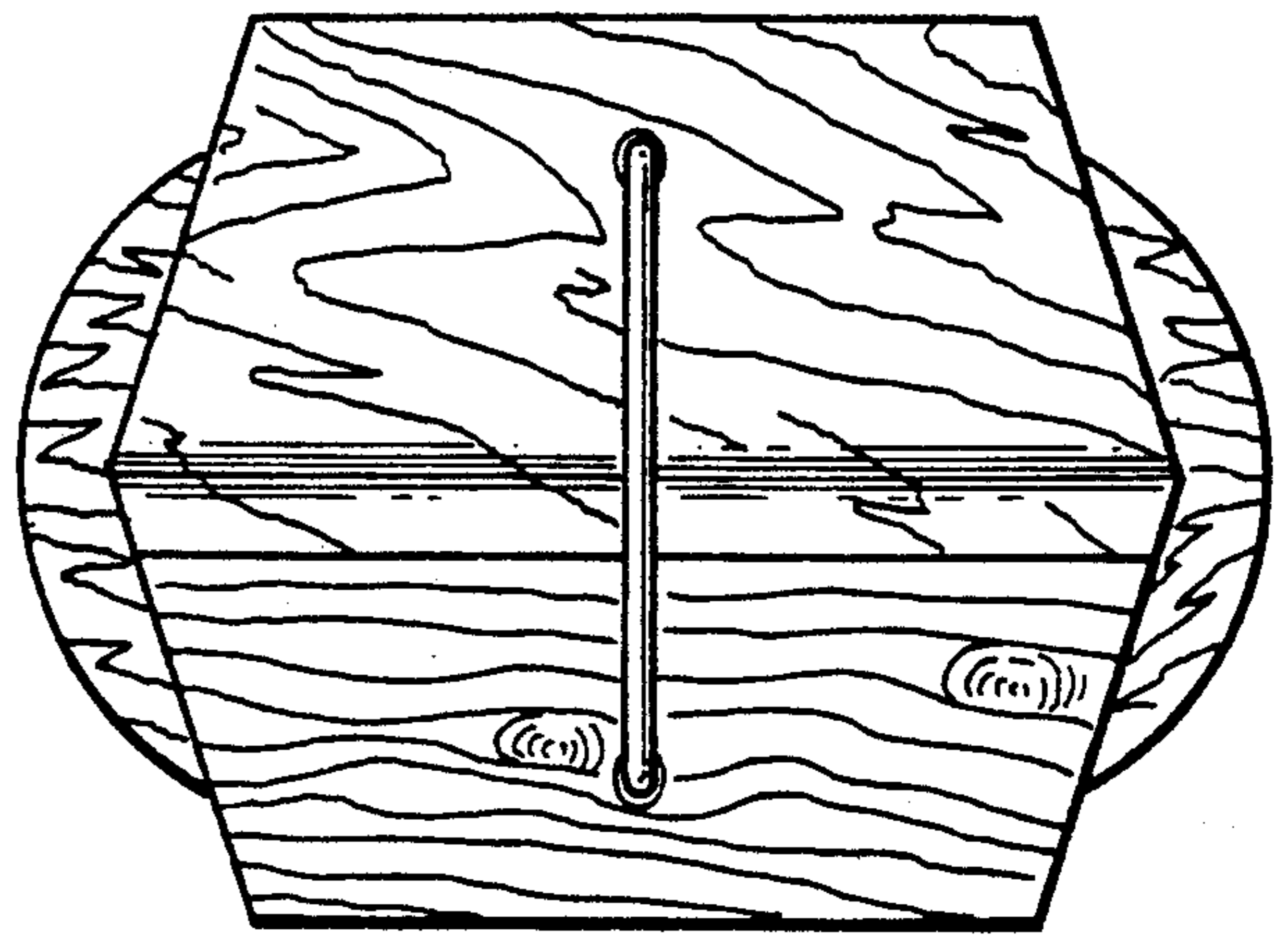


FIG. 3

FIG. 1

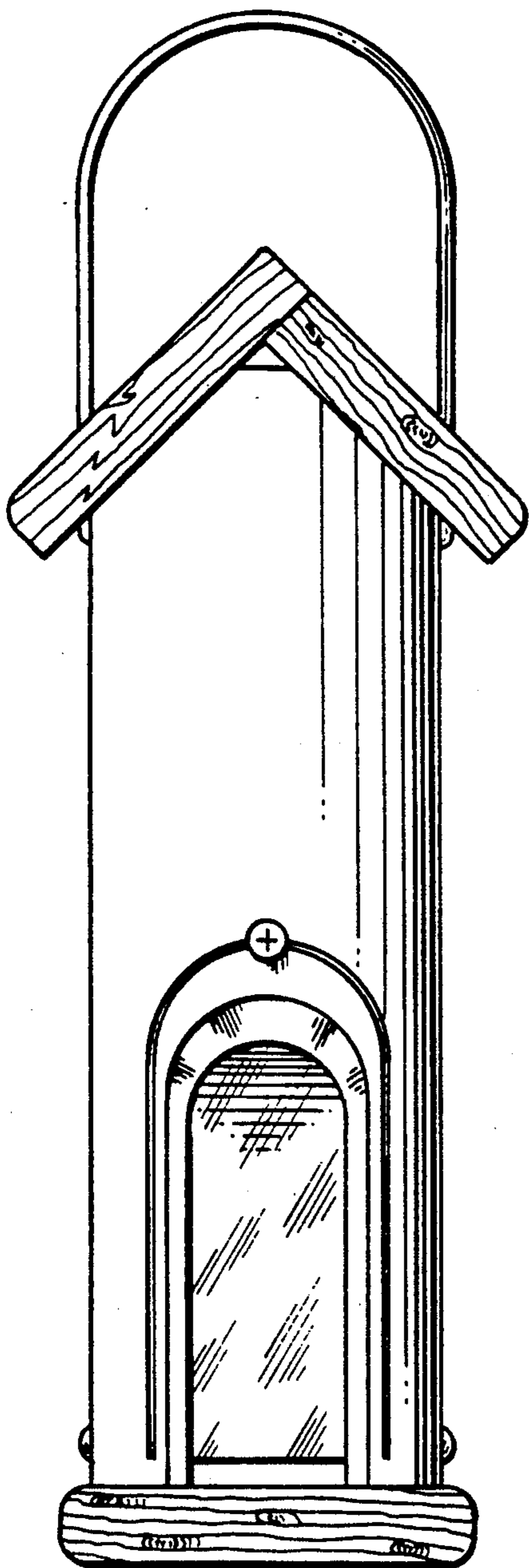
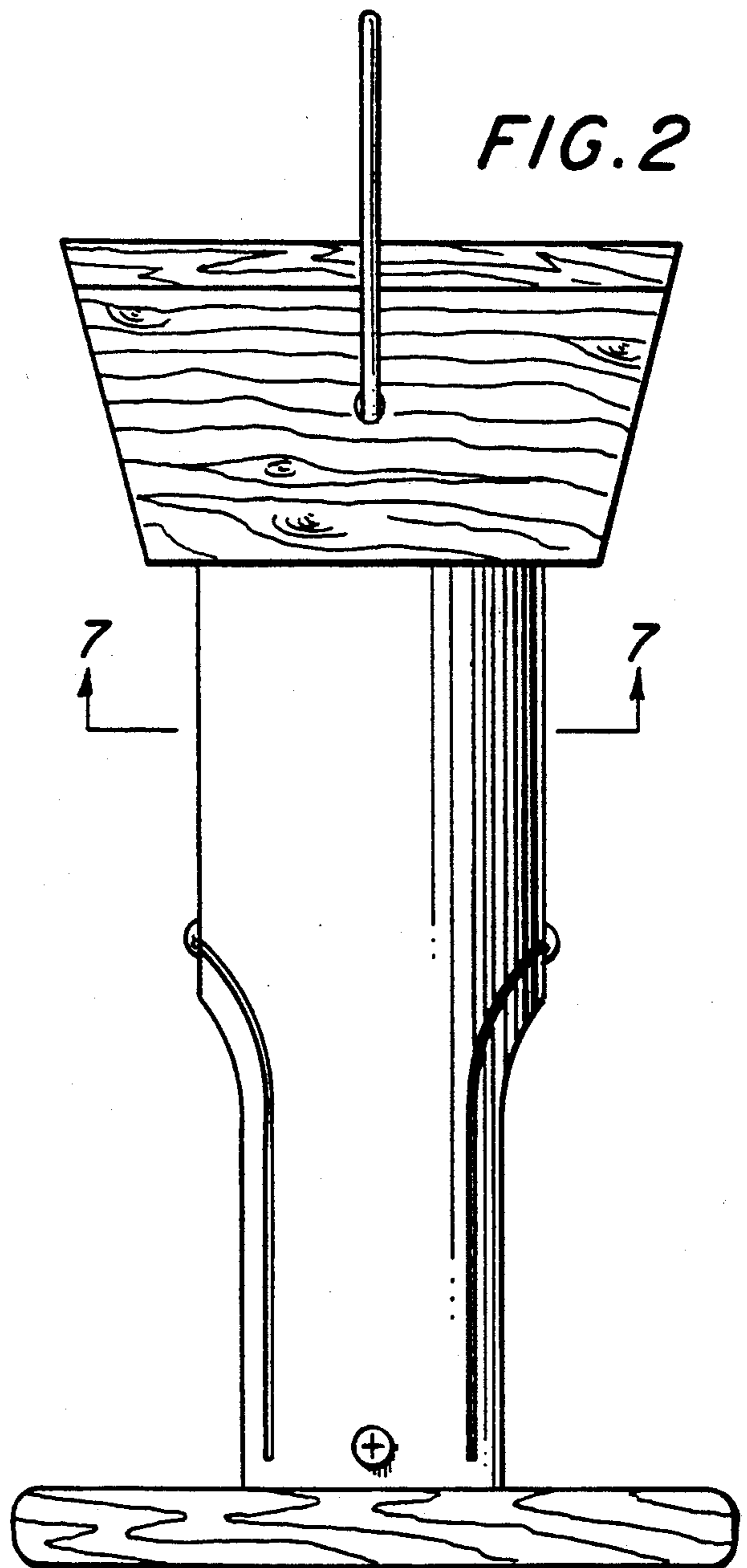


FIG. 2



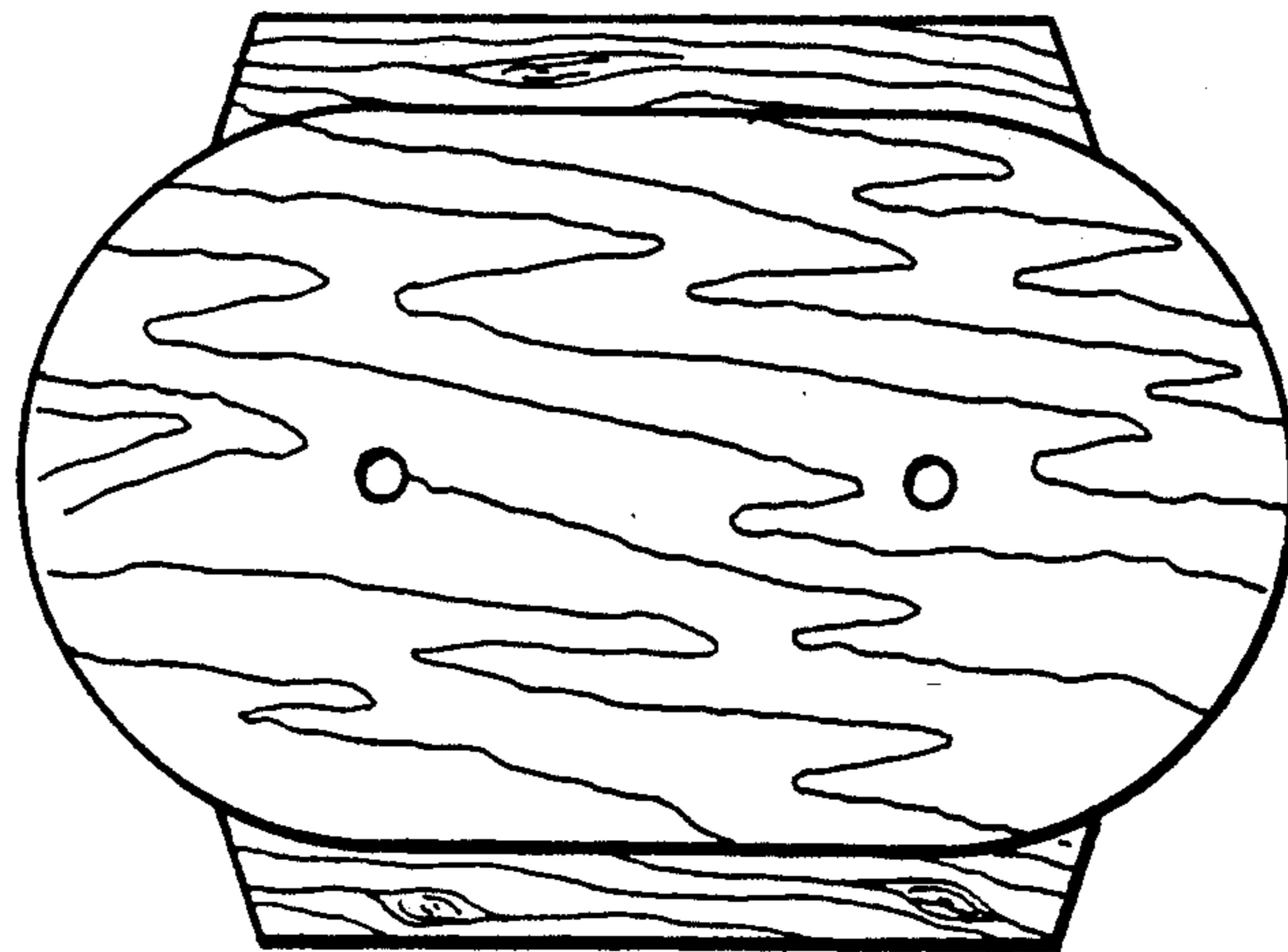


FIG. 4



FIG. 6

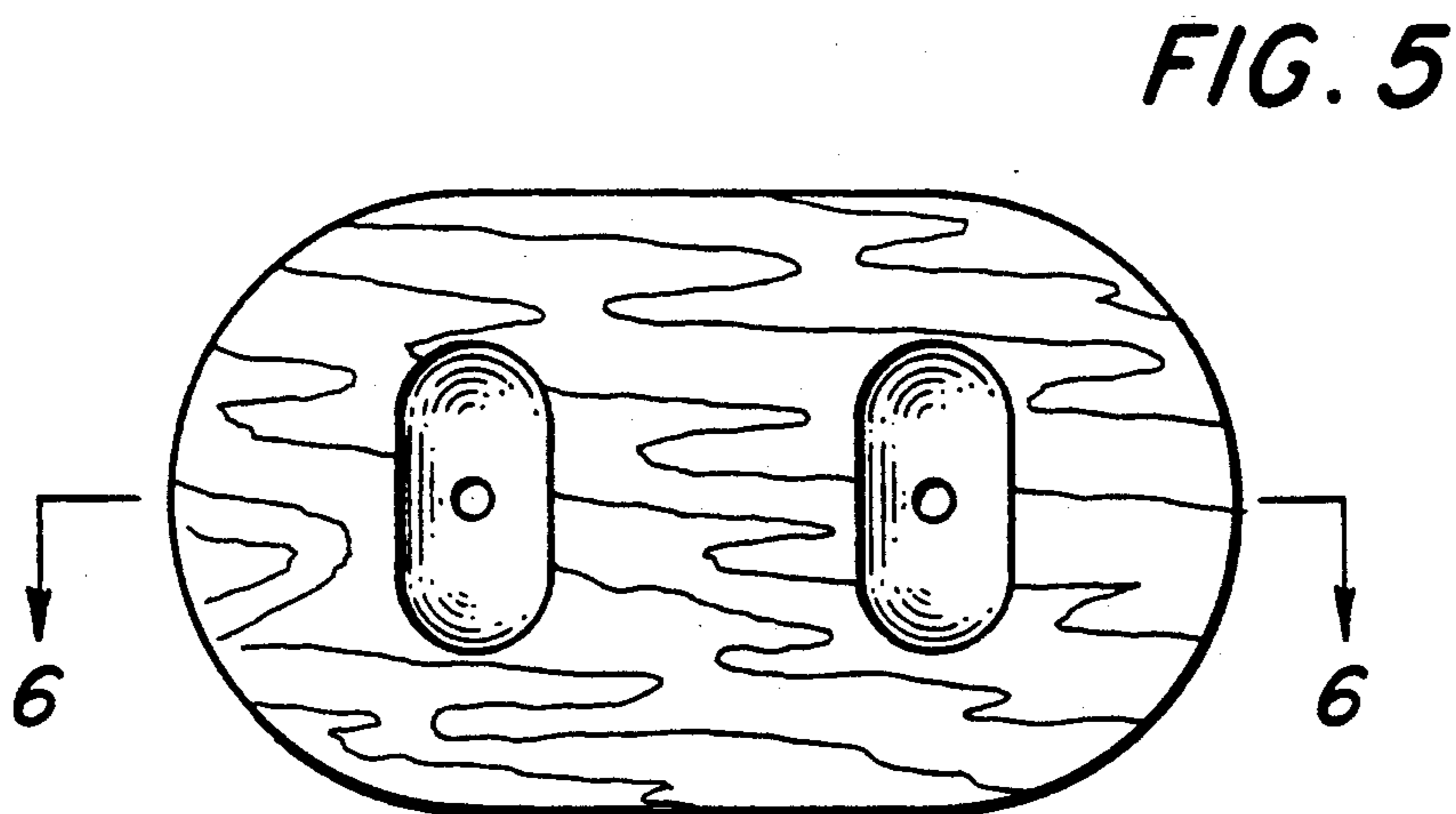


FIG. 5

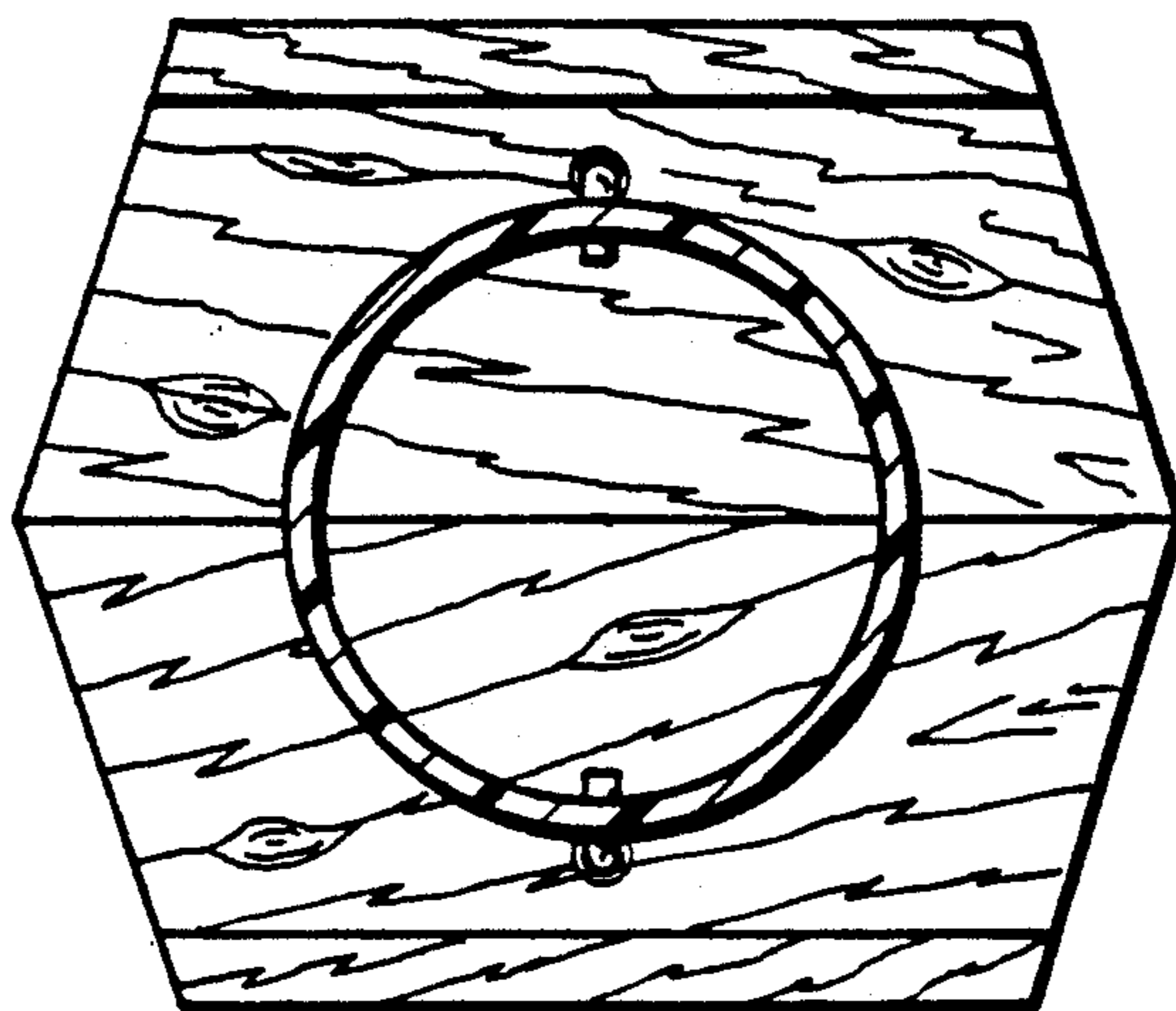


FIG. 7