



US00D335724S

# United States Patent [19]

[11] Patent Number: **Des. 335,724**

Coffer

[45] Date of Patent: **\*\* May 18, 1993**

## [54] DESIGN FOR SIX HOLE BIRD HOUSE

[76] Inventor: **Henry D. Coffer**, 1115 S. Main,  
Charleston, Mo. 63834

[\*\*] Term: **14 Years**

[21] Appl. No.: **770,308**

[22] Filed: **Oct. 3, 1991**

[52] U.S. Cl. .... **D30/110; D30/127**

[58] Field of Search ..... **119/23, 57.8-57.9,  
119/50 R, 52.2-52.3; D30/108-120, 124-128;  
D11/145**

### [56] References Cited

#### U.S. PATENT DOCUMENTS

D. 115,321	6/1939	Pueschel	119/52.2
D. 142,561	10/1945	Hyde	119/57.8
2,890,681	6/1959	Jack	119/52.3
3,078,826	2/1963	Bear	119/23
3,496,913	2/1970	Vail	119/23
4,690,101	9/1987	Kilham	119/52.2
4,896,628	1/1990	Kadunce	119/52.2
5,016,573	5/1991	Power	119/23
5,123,380	6/1992	Edwards	119/57.8

## FOREIGN PATENT DOCUMENTS

860662 1/1971 Canada ..... 119/23

## OTHER PUBLICATIONS

Popular Mechanics; Jun. 1944; p. 123; Drinking fountain and feed hopper with narrow disc lid.  
Newspaper ". . . -Herald"; Saturday, Feb. 17, 1940; Bird House (photo top left corner).

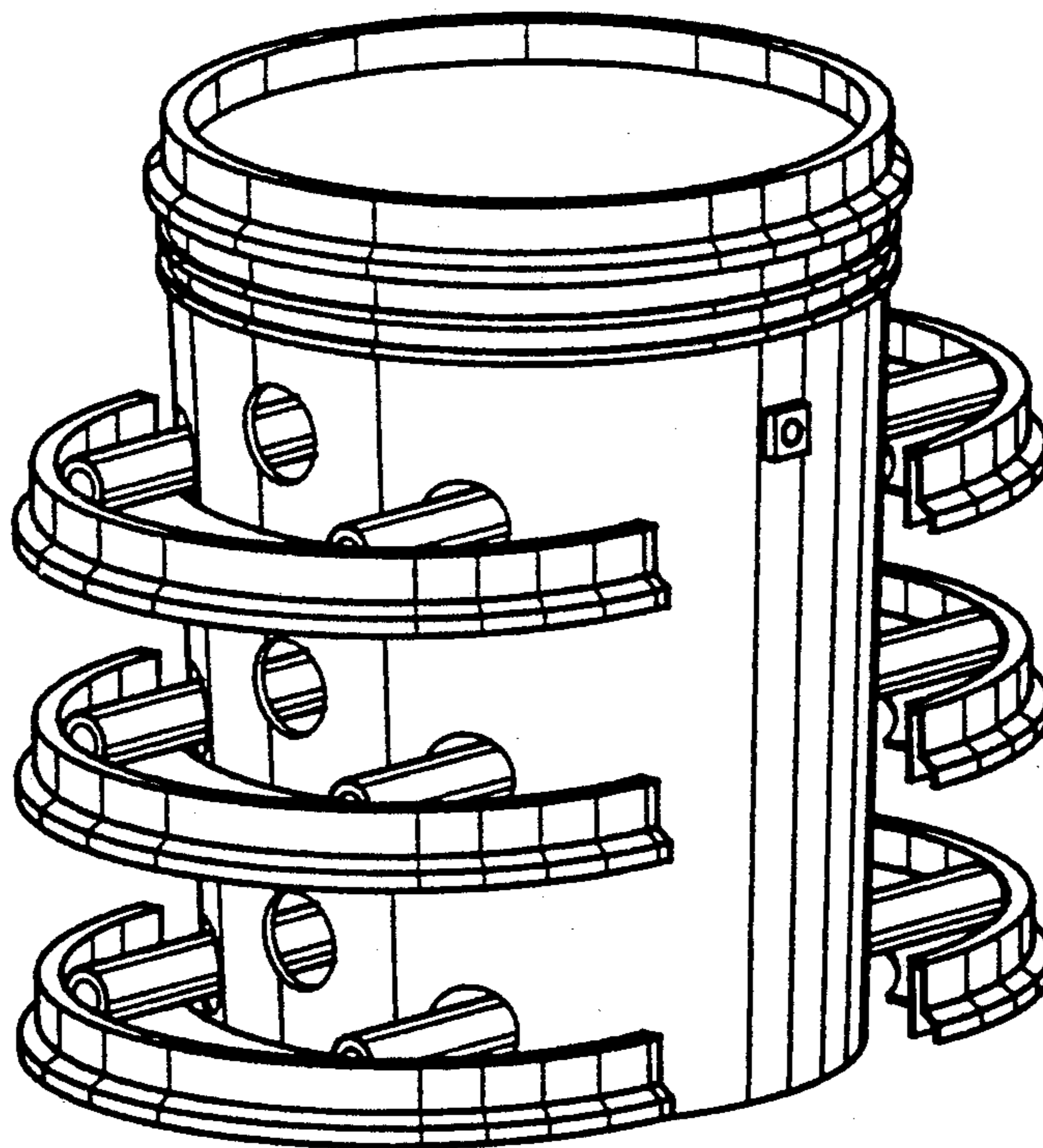
*Primary Examiner*—A. Hugo Word  
*Assistant Examiner*—Cathy Anne MacCormac  
*Attorney, Agent, or Firm*—Emrich & Dithmar

## [57] CLAIM

The ornamental design for the six hole bird house, as shown and described.

## DESCRIPTION

FIG. 1 is a perspective view of the six hole bird house embodying my new design;  
FIG. 2 is a top elevational view thereof;  
FIG. 3 is a front view of the six hole bird house, the rear of which is a mirror image thereof;  
FIG. 4 is a side view of the six hole bird house, the rear of which is a mirror image thereof; and,  
FIG. 5 is a bottom view thereof.



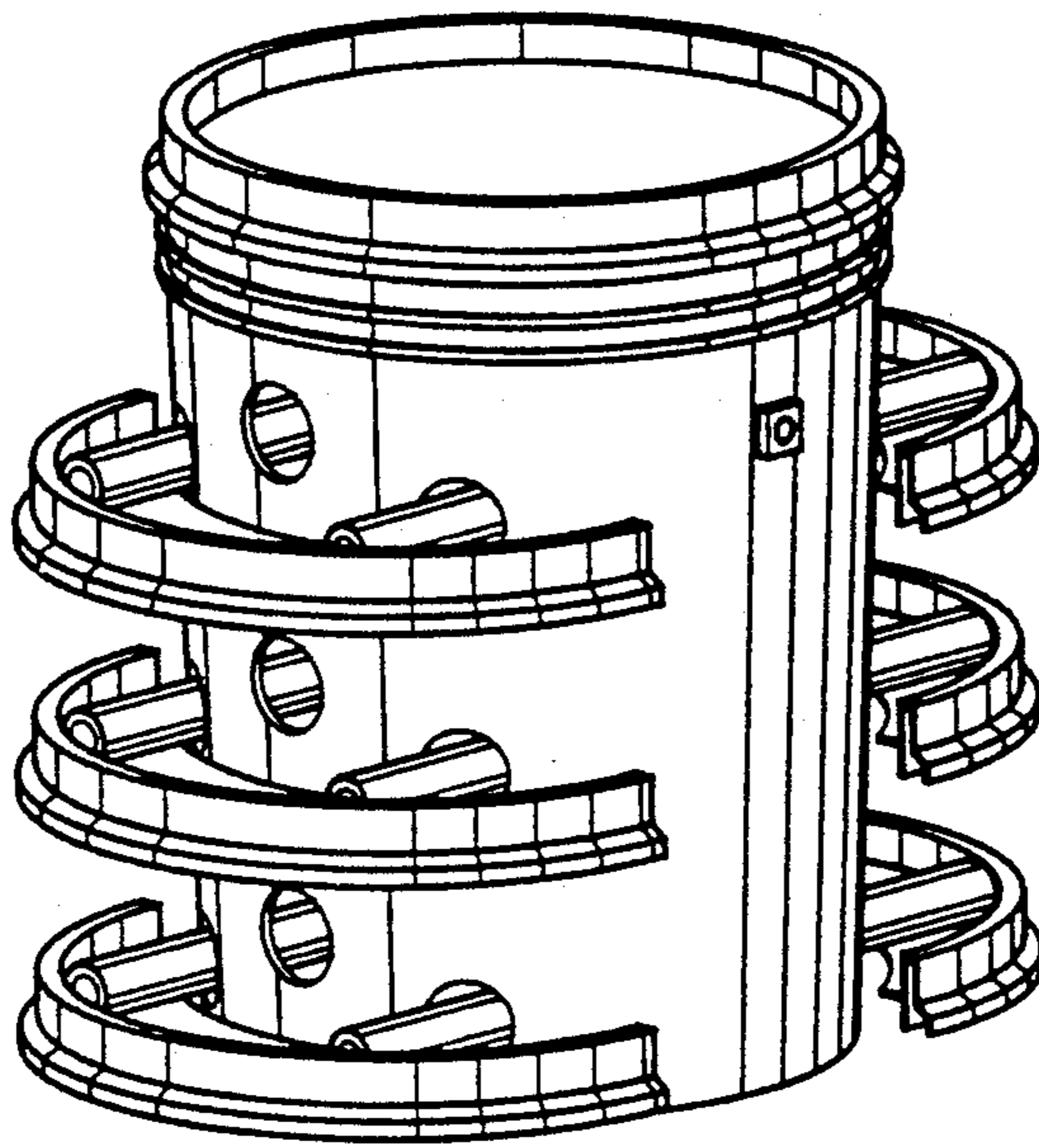


Fig. 1

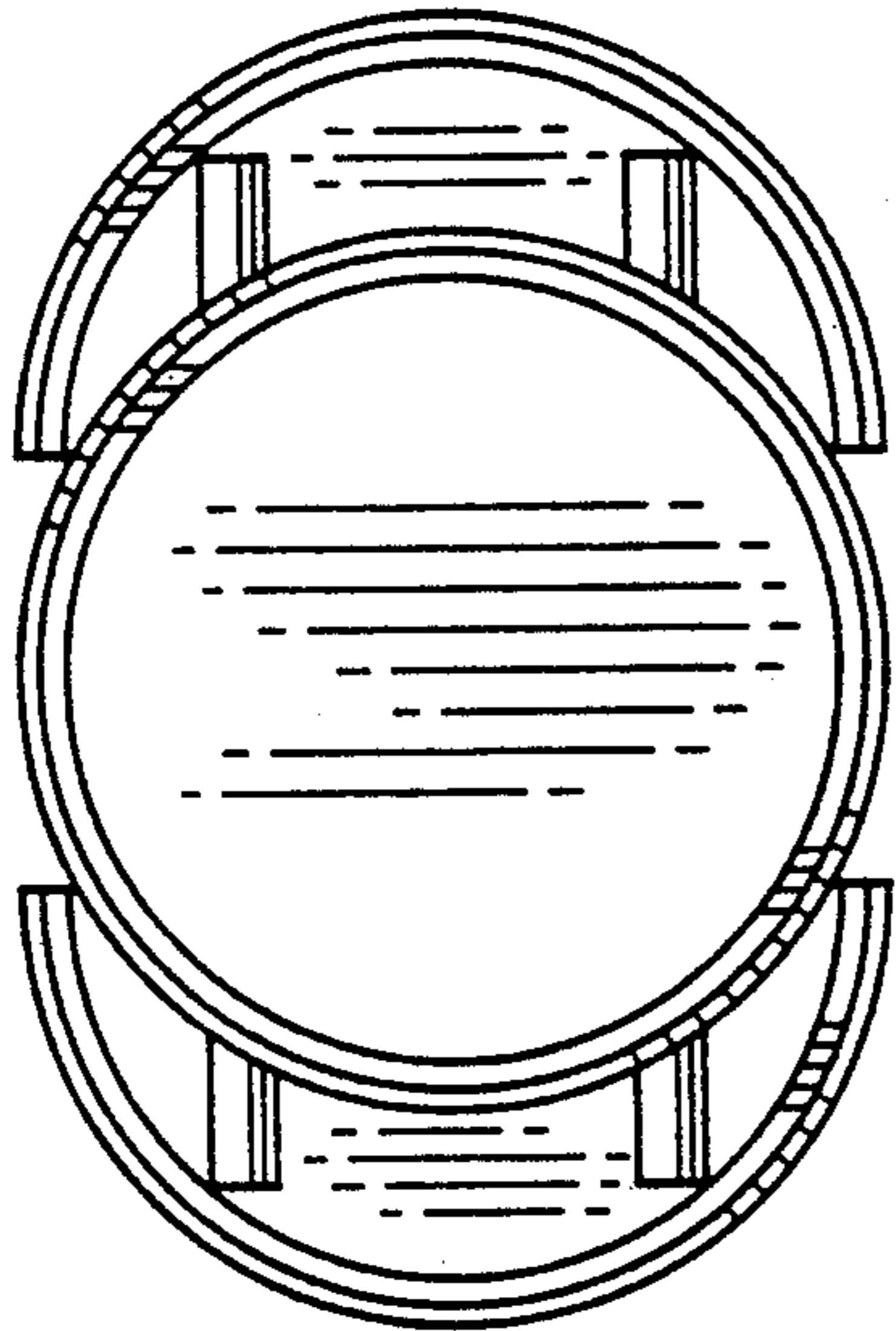


Fig. 2

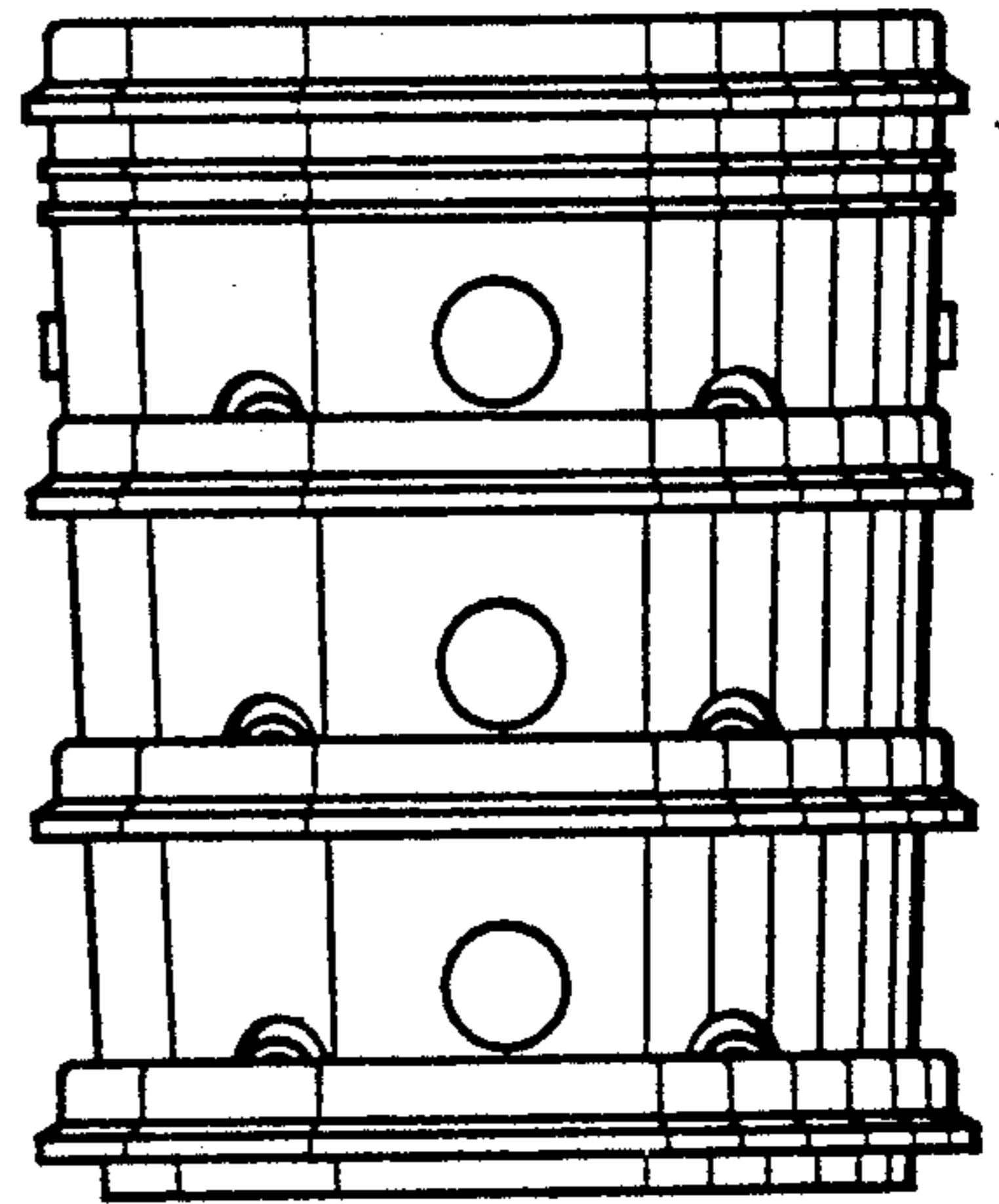


Fig. 3

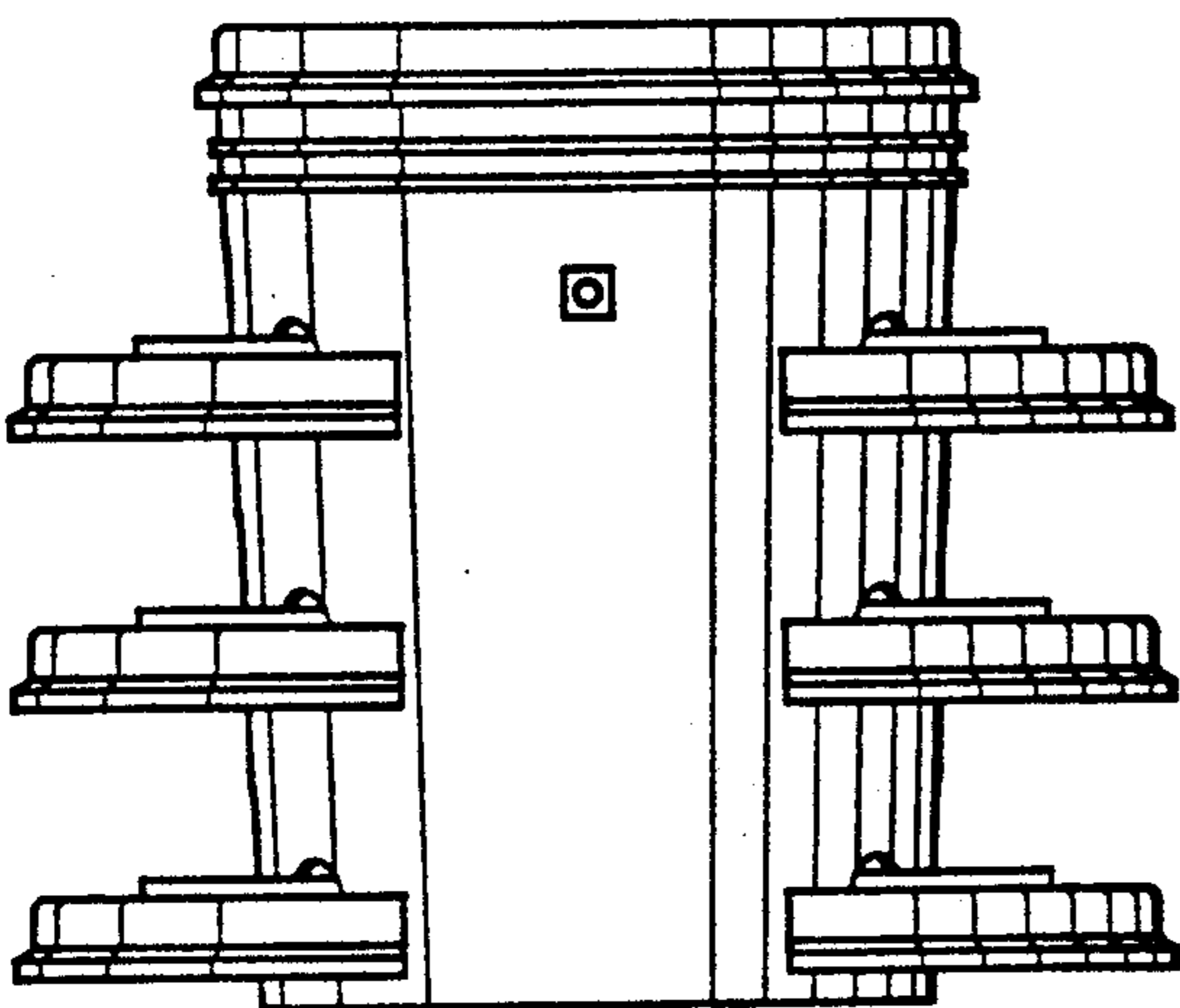


Fig. 4

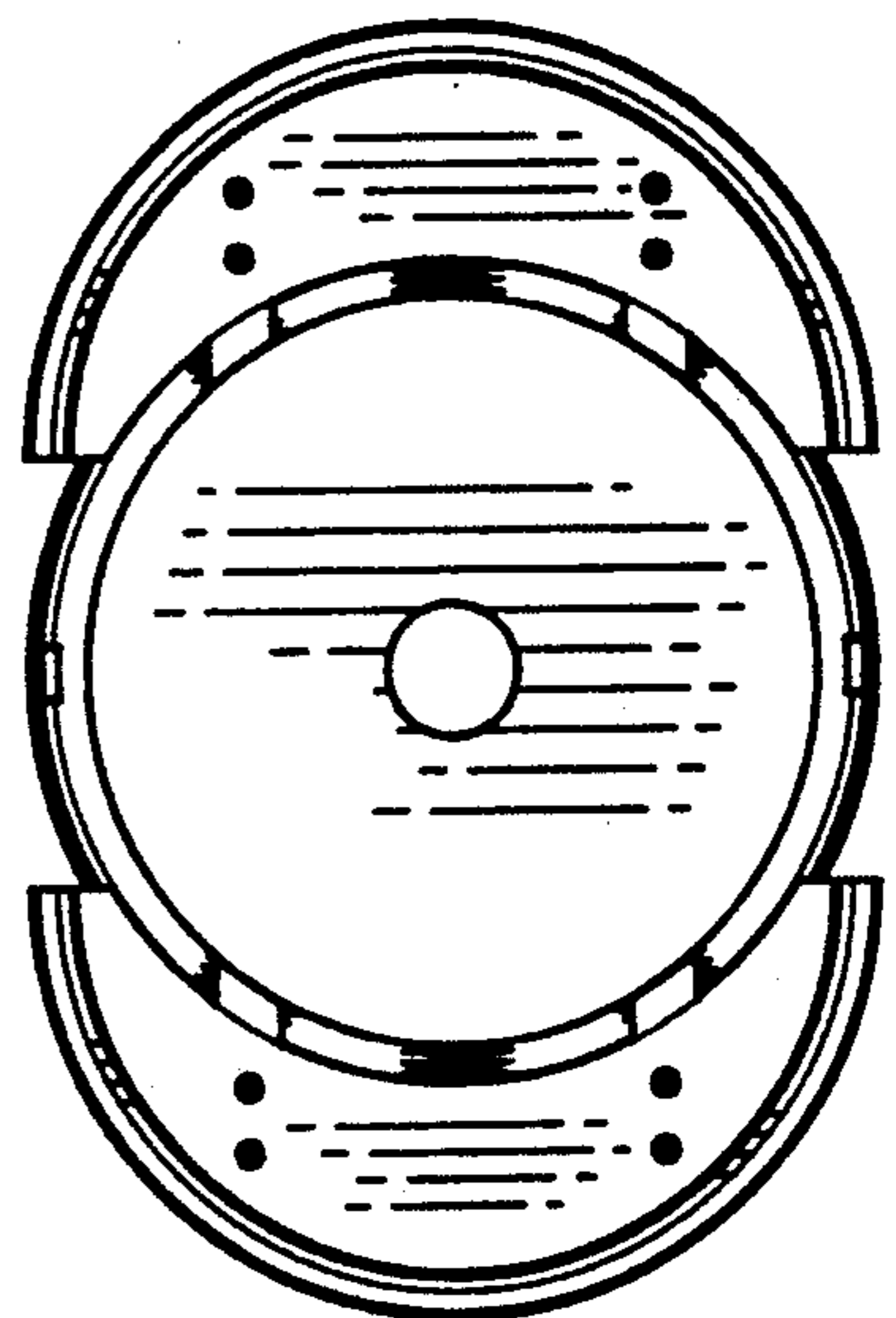


Fig. 5