



US00D335721S

United States Patent [19]

[11] Patent Number: **Des. 335,721**

Kimball

[45] Date of Patent: **** May 18, 1993**

[54] **PORTABLE TOOTHPICK HOLDER**

[76] Inventor: **Janice A. Kimball**, 60 Calico Valley Rd. NE., Rydal, Ga. 30171

[**] Term: **14 Years**

[21] Appl. No.: **676,211**

[22] Filed: **Mar. 22, 1991**

[52] U.S. Cl. **D28/64; D7/635**

[58] Field of Search **D3/30.1, 38, 100, 103, D3/105; D7/635-636; D9/504; D28/64, 77, 85, 88, 89; 206/96, 380, 389; 221/190, 220, 221**

1,832,735	11/1931	Puyuelo .
2,499,687	3/1950	Smith .
2,509,150	5/1950	Kassovic .
4,269,313	5/1981	Smith .
4,518,099	5/1985	Makishima et al. .
4,522,314	6/1985	Nelson .

Primary Examiner—Terry A. Pfeffer
Attorney, Agent, or Firm—S. Pal Asija

[57] **CLAIM**

The new and ornamental design for the portable toothpick holder, as shown.

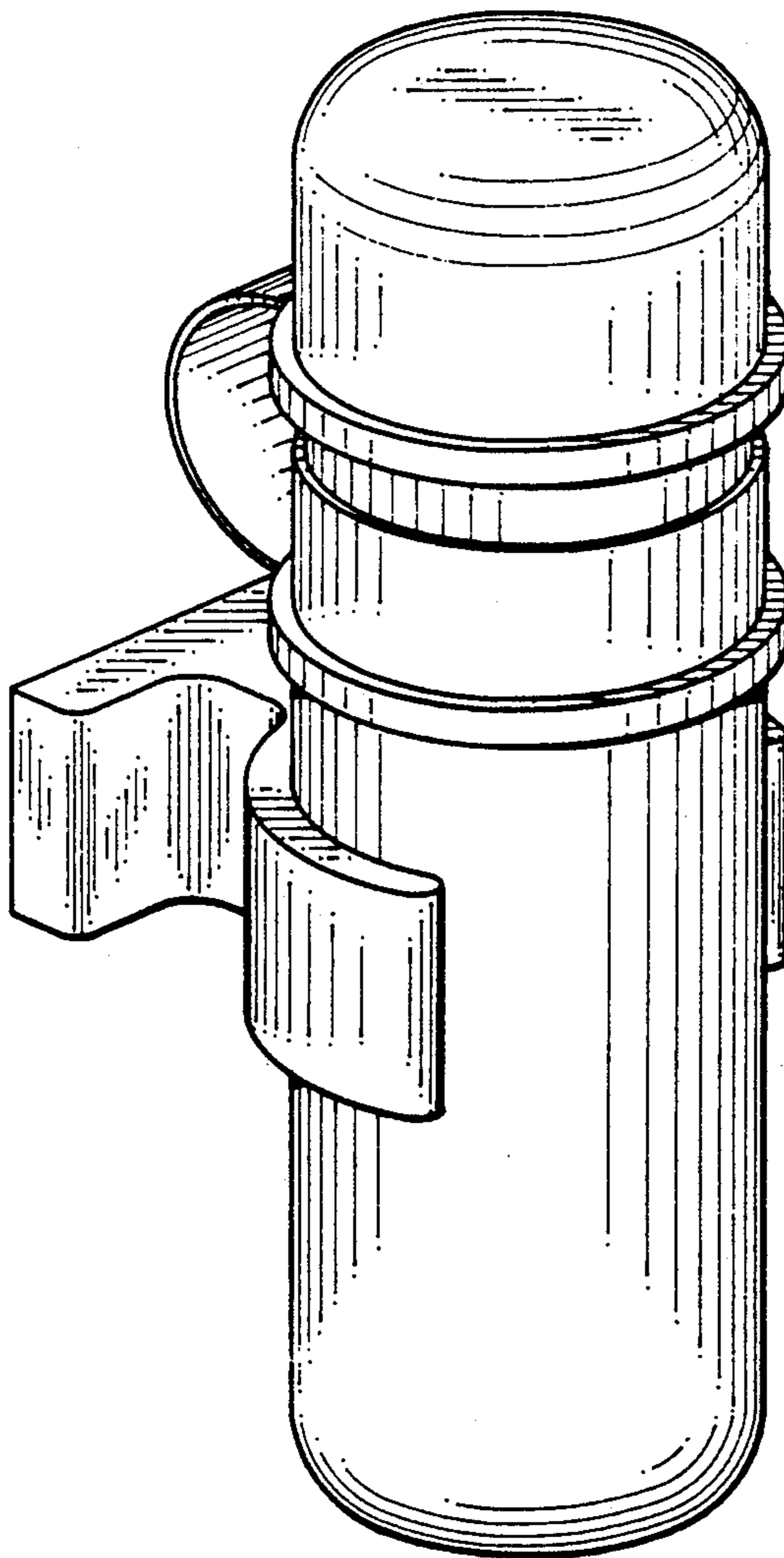
DESCRIPTION

FIG. 1 is a front elevational view of the portable toothpick holder showing my new design; FIG. 2 is a rear elevational view thereof; FIG. 3 is a right side elevational view thereof; FIG. 4 is a left side elevational view thereof; FIG. 5 is a top plan view thereof; FIG. 6 is a bottom plan view thereof; and, FIG. 7 is a perspective view thereof.

[56] **References Cited**

U.S. PATENT DOCUMENTS

D. 25,352	4/1896	Fuerstenberg .	
D. 166,357	4/1952	Severin .	
D. 175,989	11/1955	Lubbock et al. .	
D. 249,591	9/1978	Mijares, Jr.	D7/635 X
1,458,356	6/1923	O'Kane .	
1,625,011	4/1927	Wolfe et al. .	
1,648,448	11/1927	Derrick .	



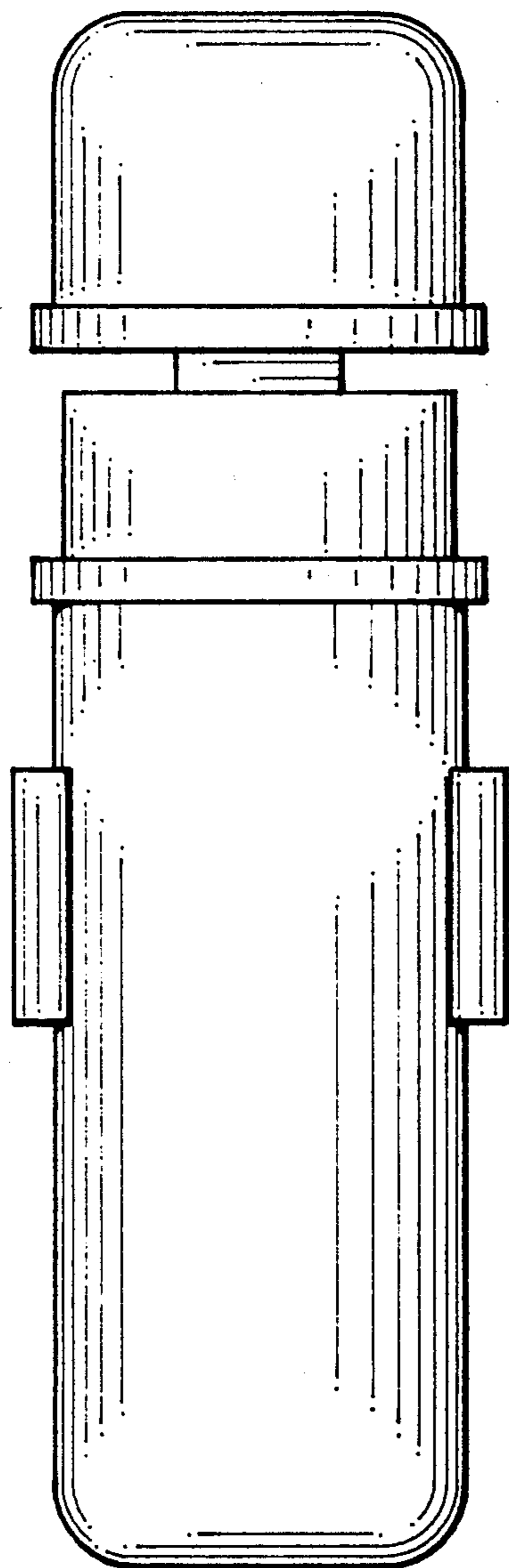


Fig. 1

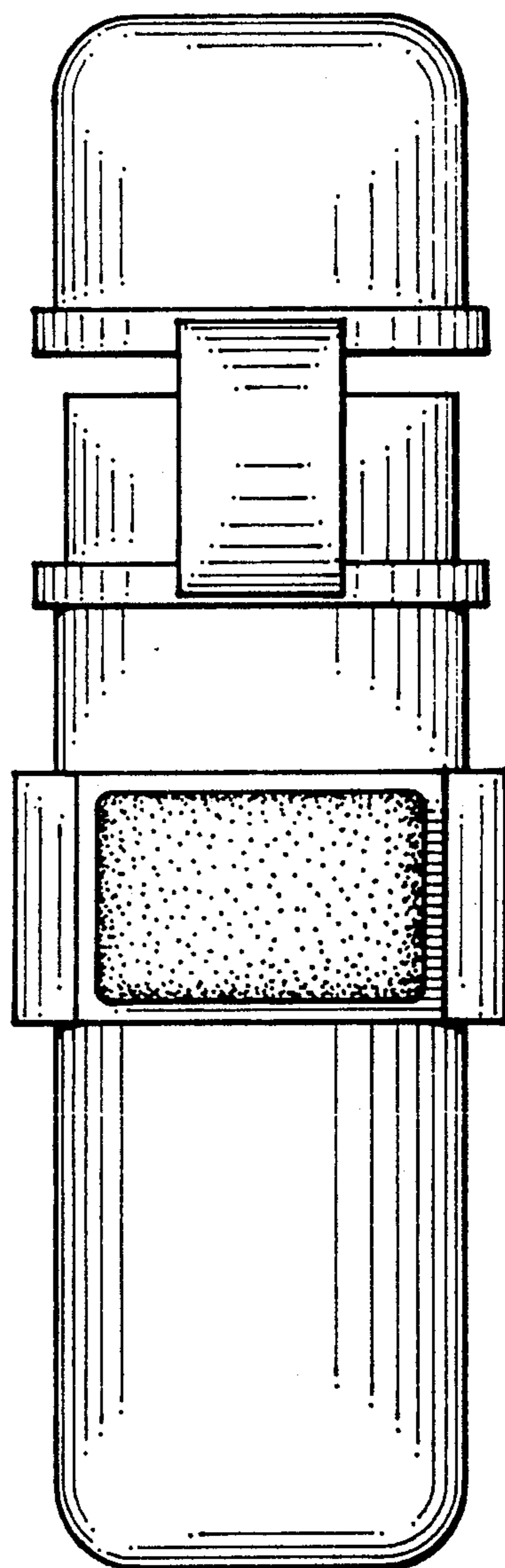


Fig. 2

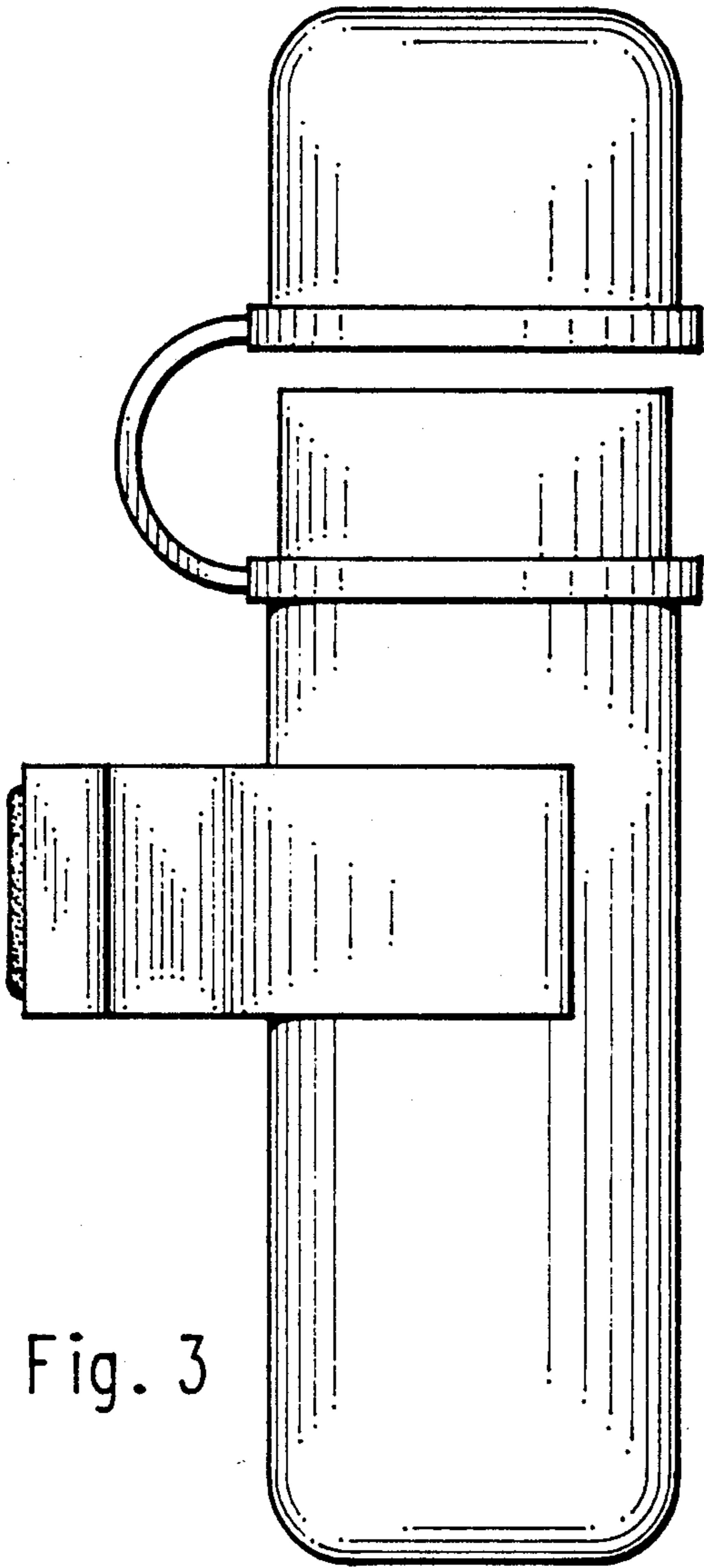


Fig. 3

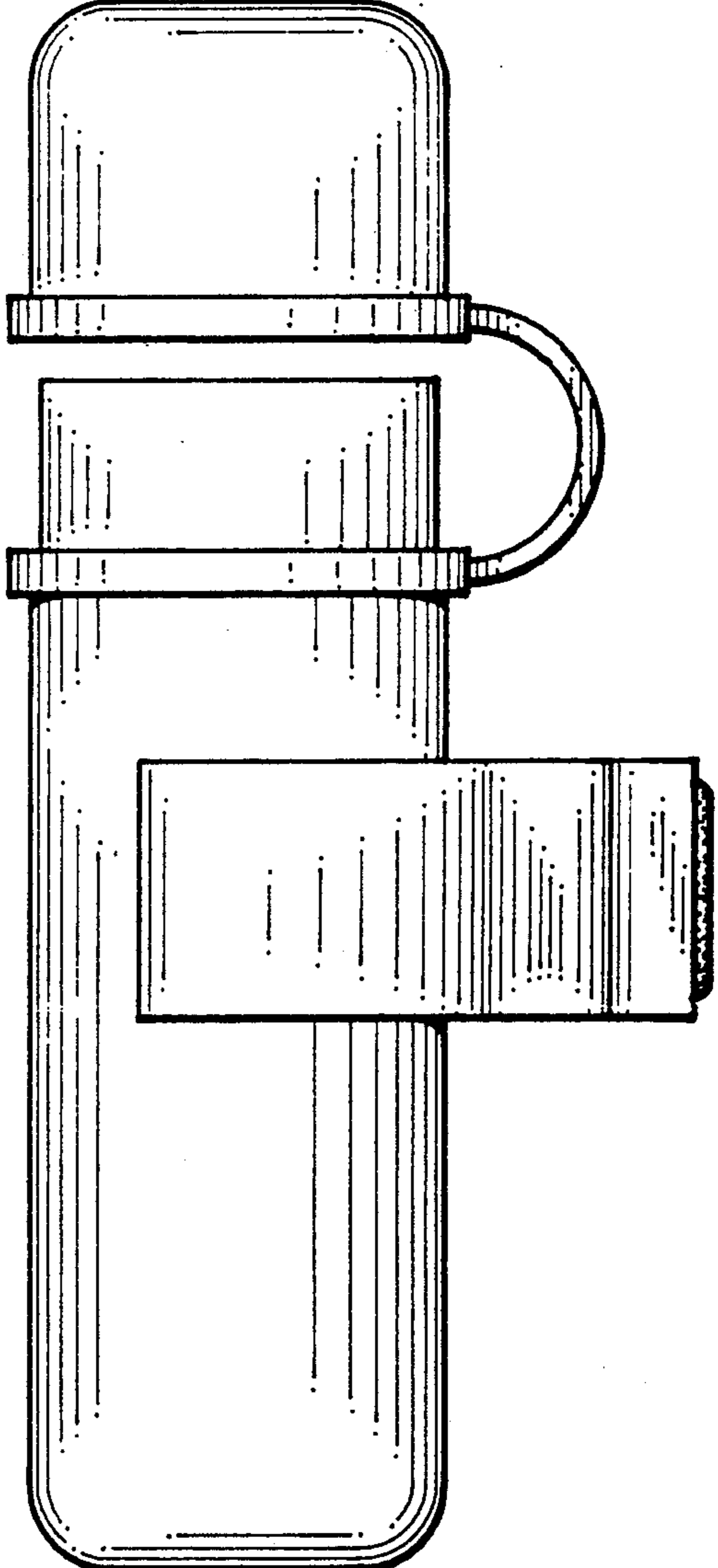


Fig. 4

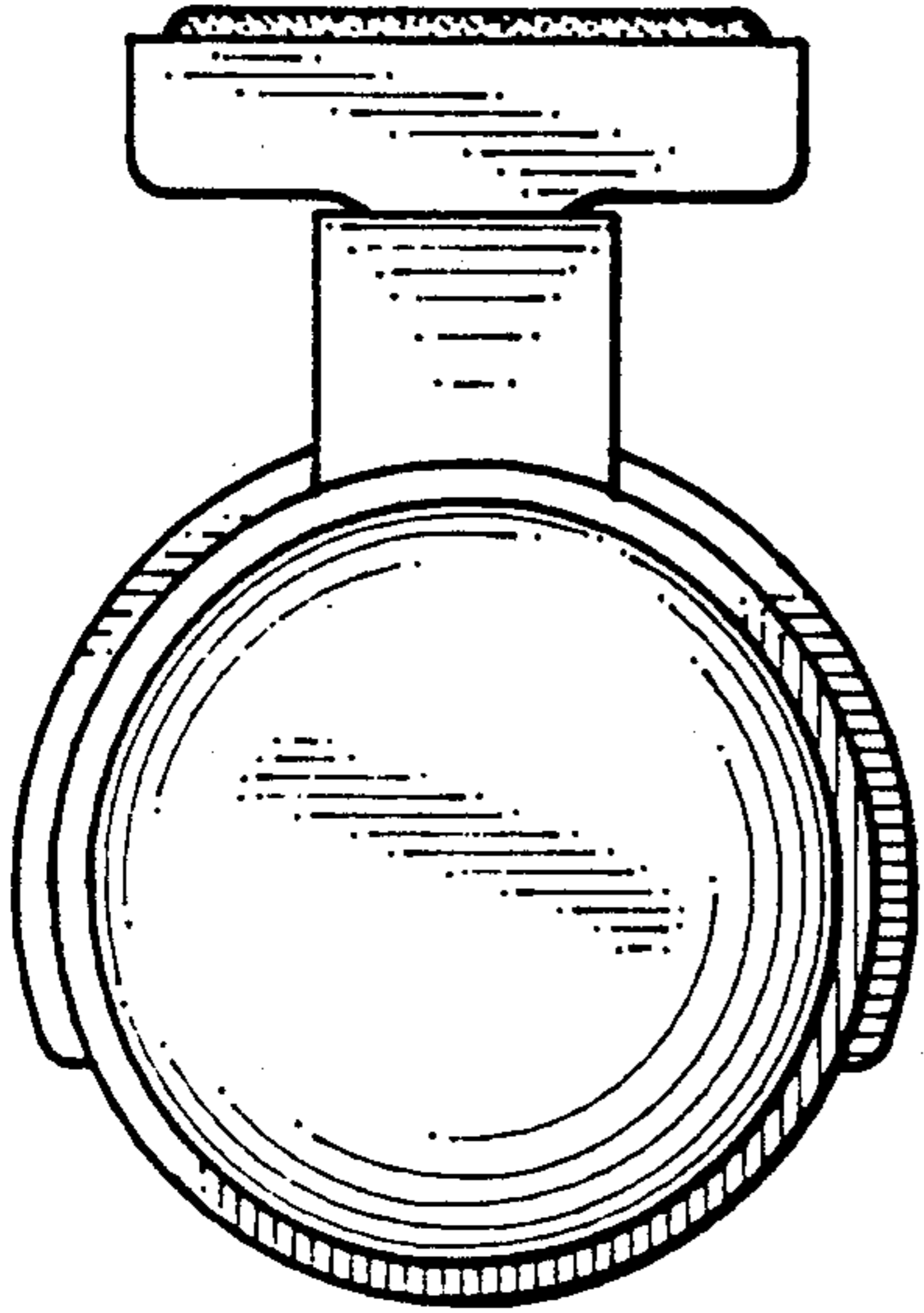


Fig. 5

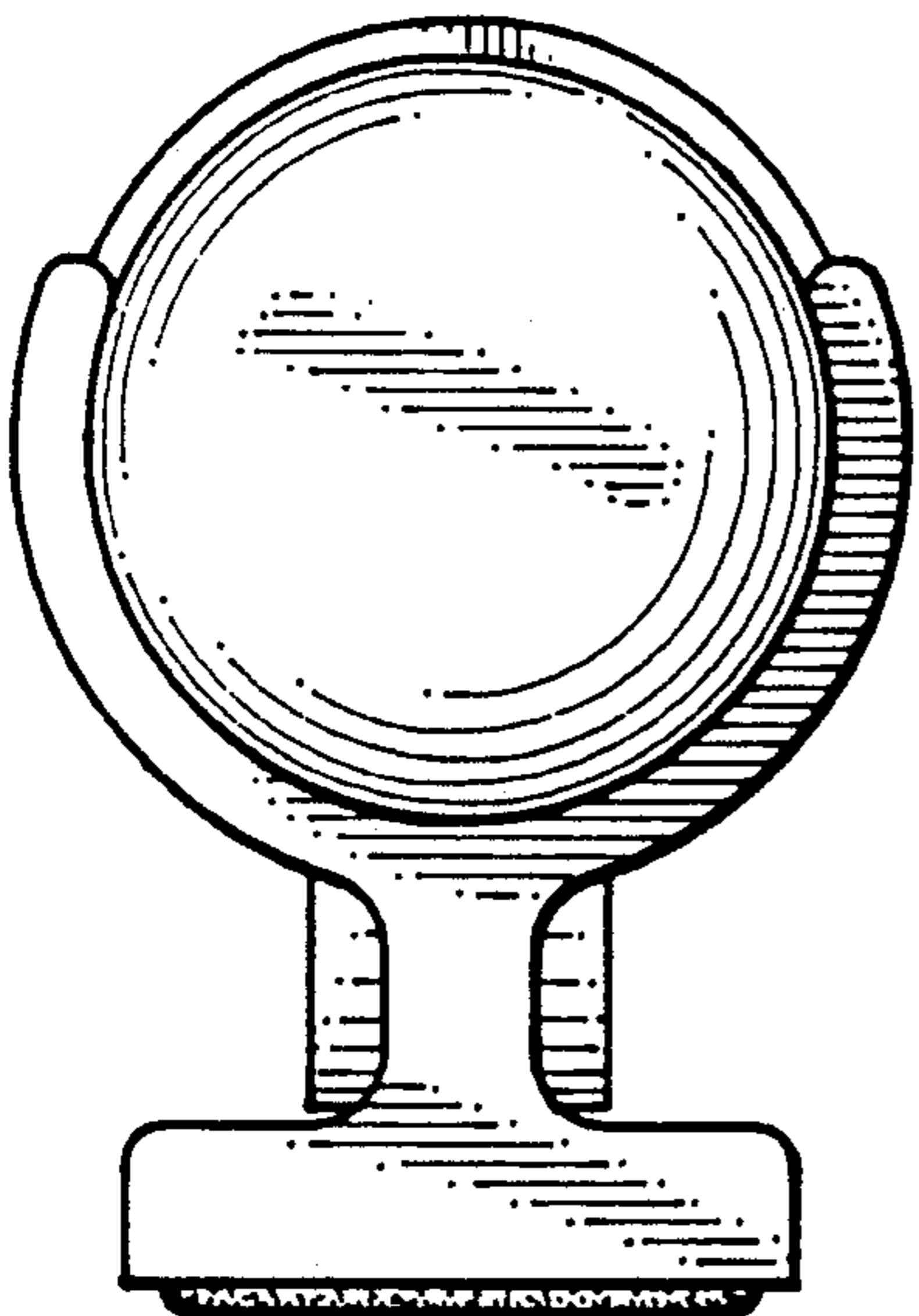


Fig. 6

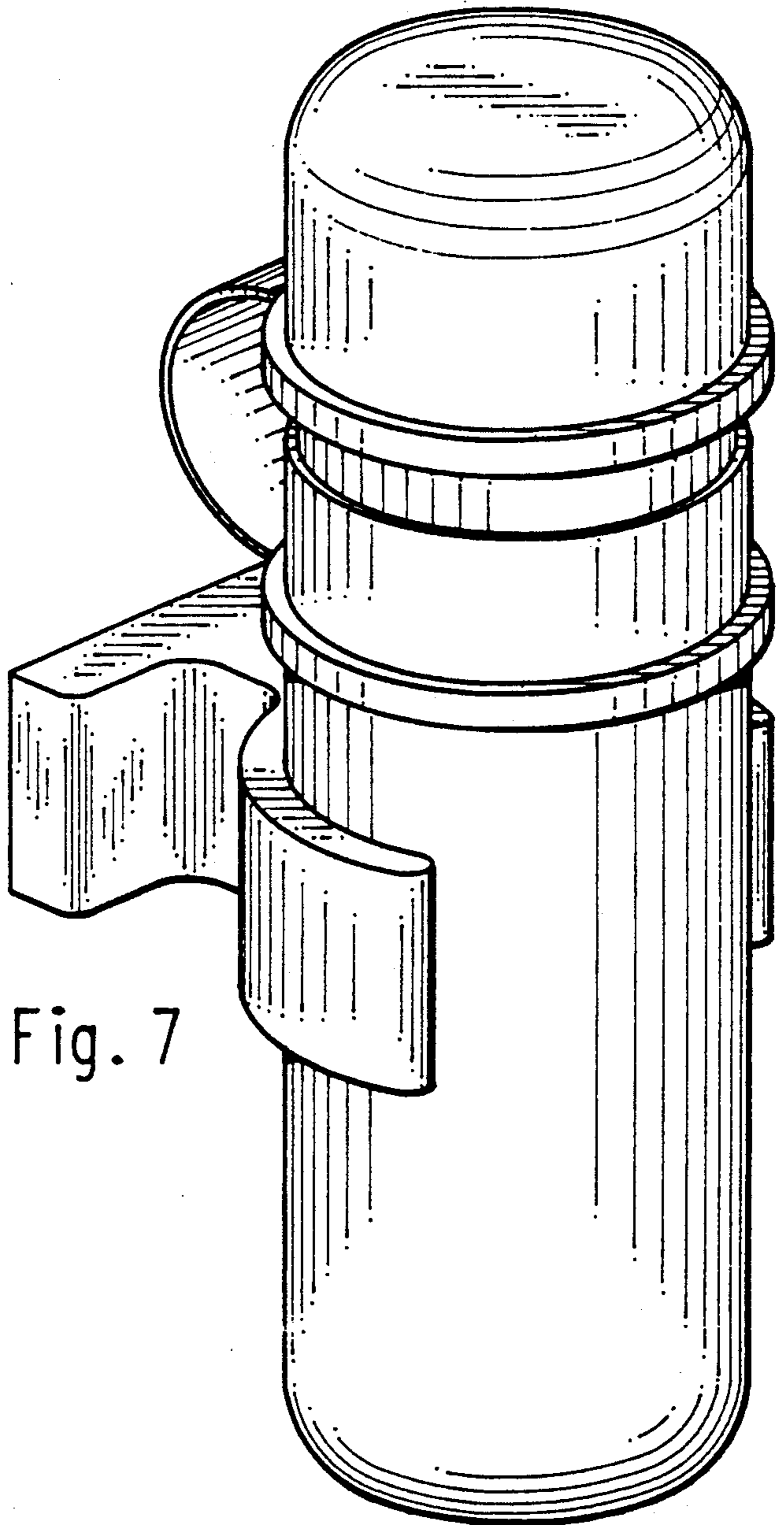


Fig. 7