



US00D335717S

# United States Patent [19]

[11] Patent Number: **Des. 335,717**

**Couch**

[45] Date of Patent: **\*\* May 18, 1993**

[54] **PORTABLE PHOTOGRAPHIC LIGHT REFLECTOR UNIT**

4,428,030 1/1984 Baliozian ..... 362/18  
4,737,890 4/1988 Bartholomew ..... 362/18

[76] Inventor: **Quest Couch, 1142 E. Commerce, San Antonio, Bexar County, Tex. 78204**

*Primary Examiner*—Bernard Ansher  
*Assistant Examiner*—Adir Aronovich  
*Attorney, Agent, or Firm*—Cox & Smith

[\*\*] Term: **14 Years**

[57] **CLAIM**

[21] Appl. No.: **631,034**

The ornamental design for a portable photographic light reflector unit, as shown and described.

[22] Filed: **Dec. 20, 1990**

[52] U.S. Cl. .... **D26/118; D16/237**

**DESCRIPTION**

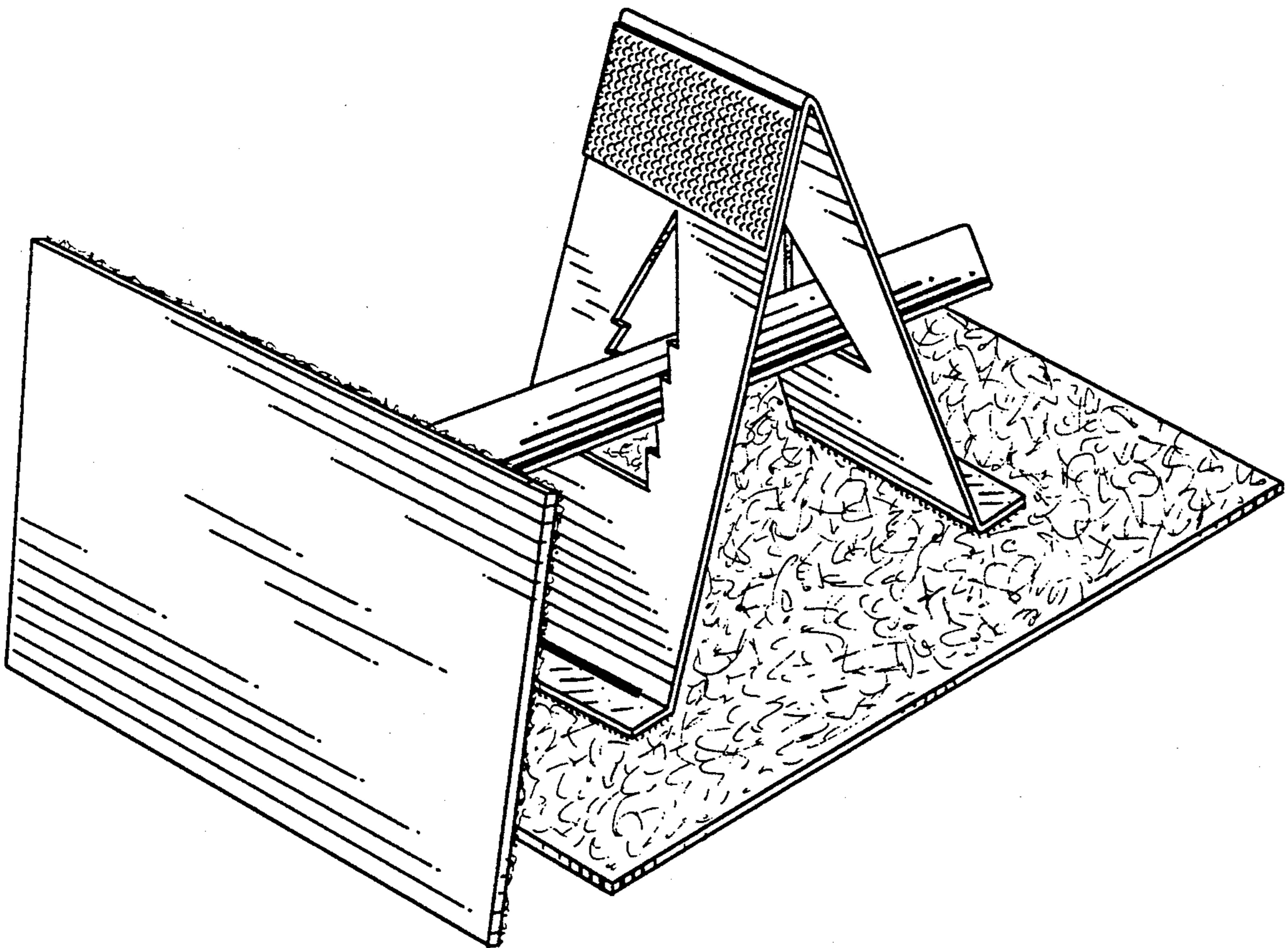
[58] Field of Search ..... **D26/118; 362/18; 259/882**

FIG. 1 is a top, front perspective view of a portable photographic light reflector unit showing my design; FIG. 2 is a front elevational view thereof; FIG. 3 is a right side elevational view thereof; FIG. 4 is a rear elevational view thereof; FIG. 5 is a top plan view thereof; FIG. 6 is a bottom plan view thereof; and, FIG. 7 is a left side elevational view thereof.

[56] **References Cited**

**U.S. PATENT DOCUMENTS**

D. 298,469 11/1988 Melrose ..... D26/24  
3,852,582 12/1974 Lowell ..... 362/18  
4,409,646 10/1983 Baliozian ..... 362/18



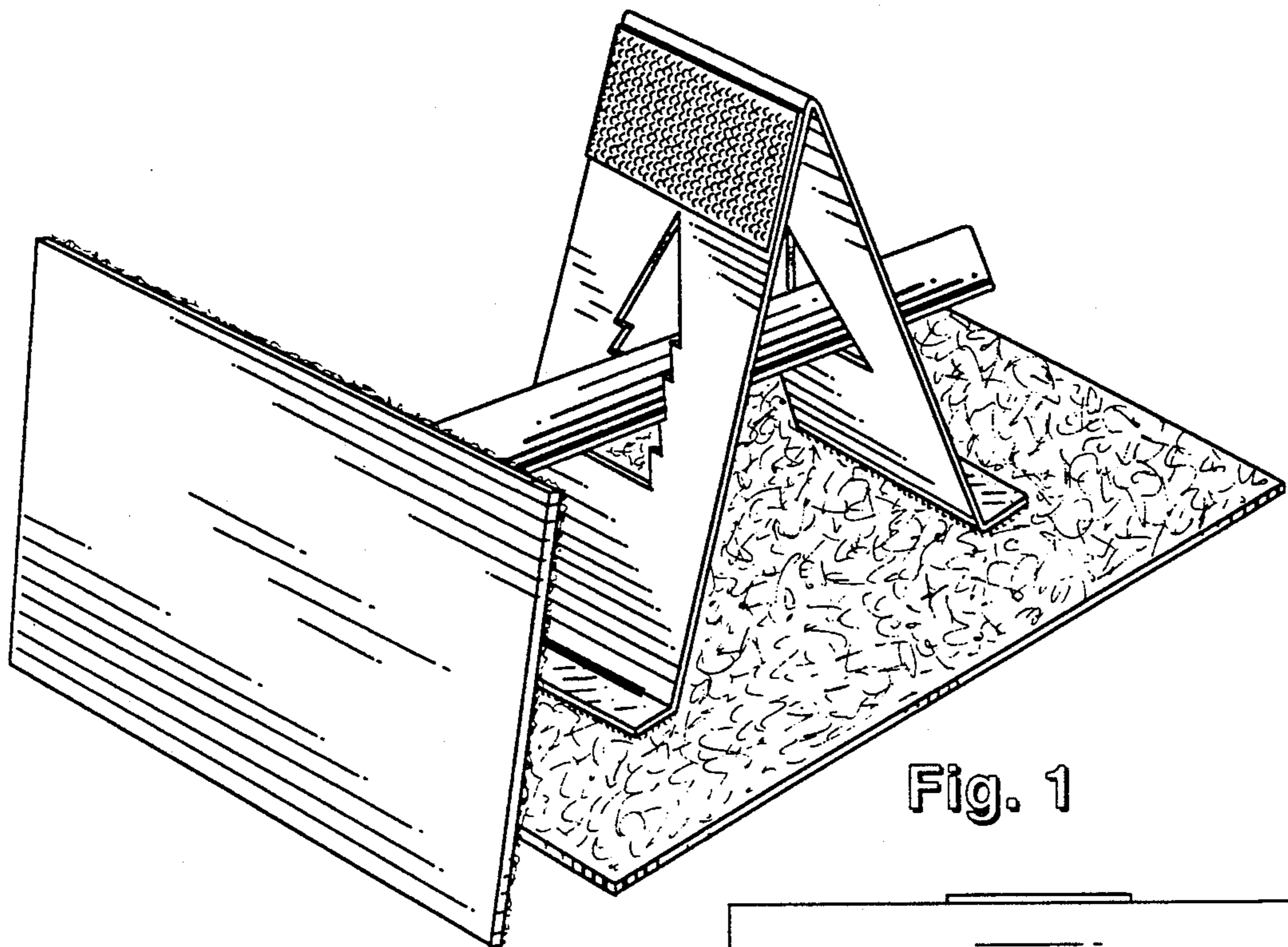


Fig. 1

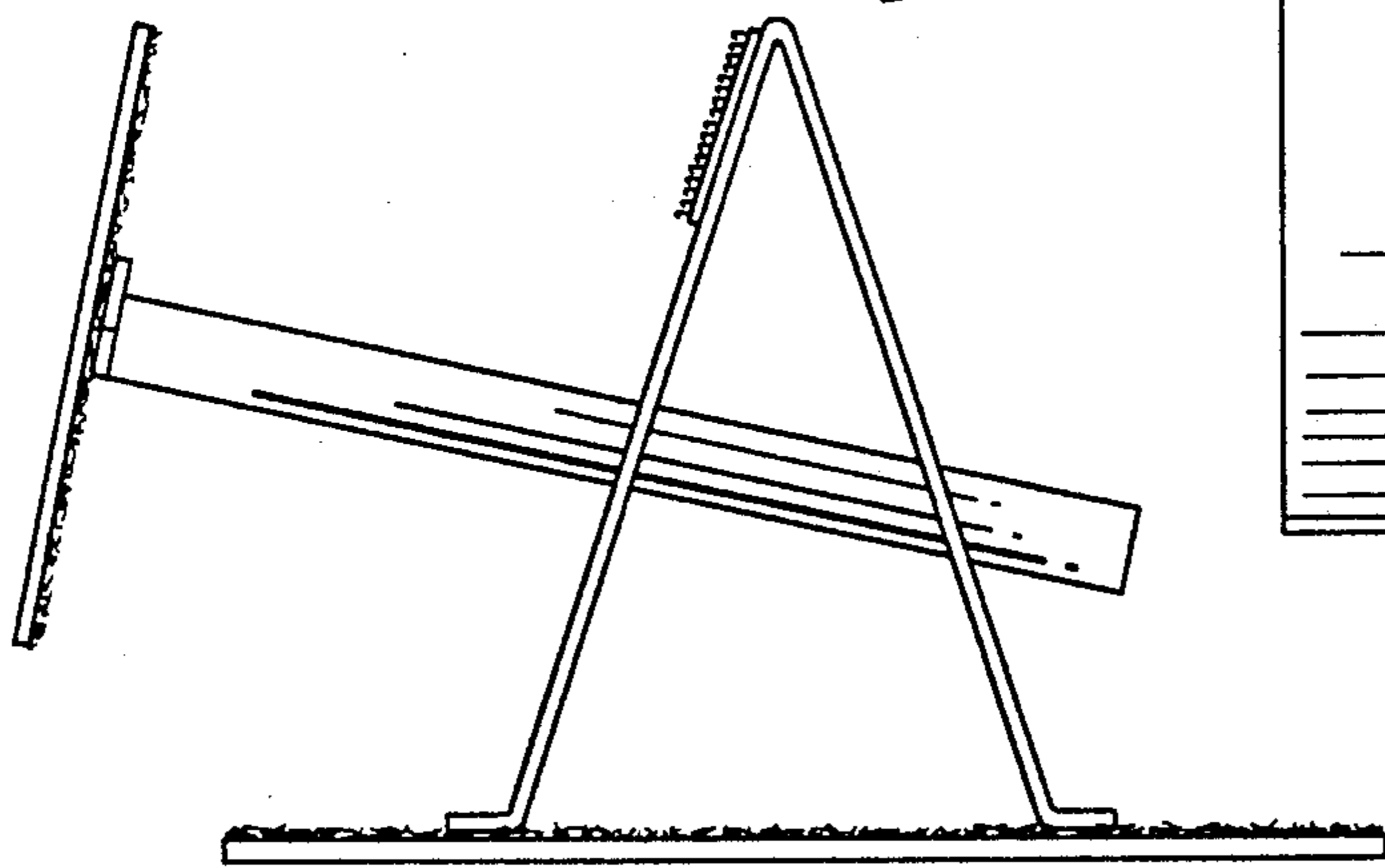


Fig. 3

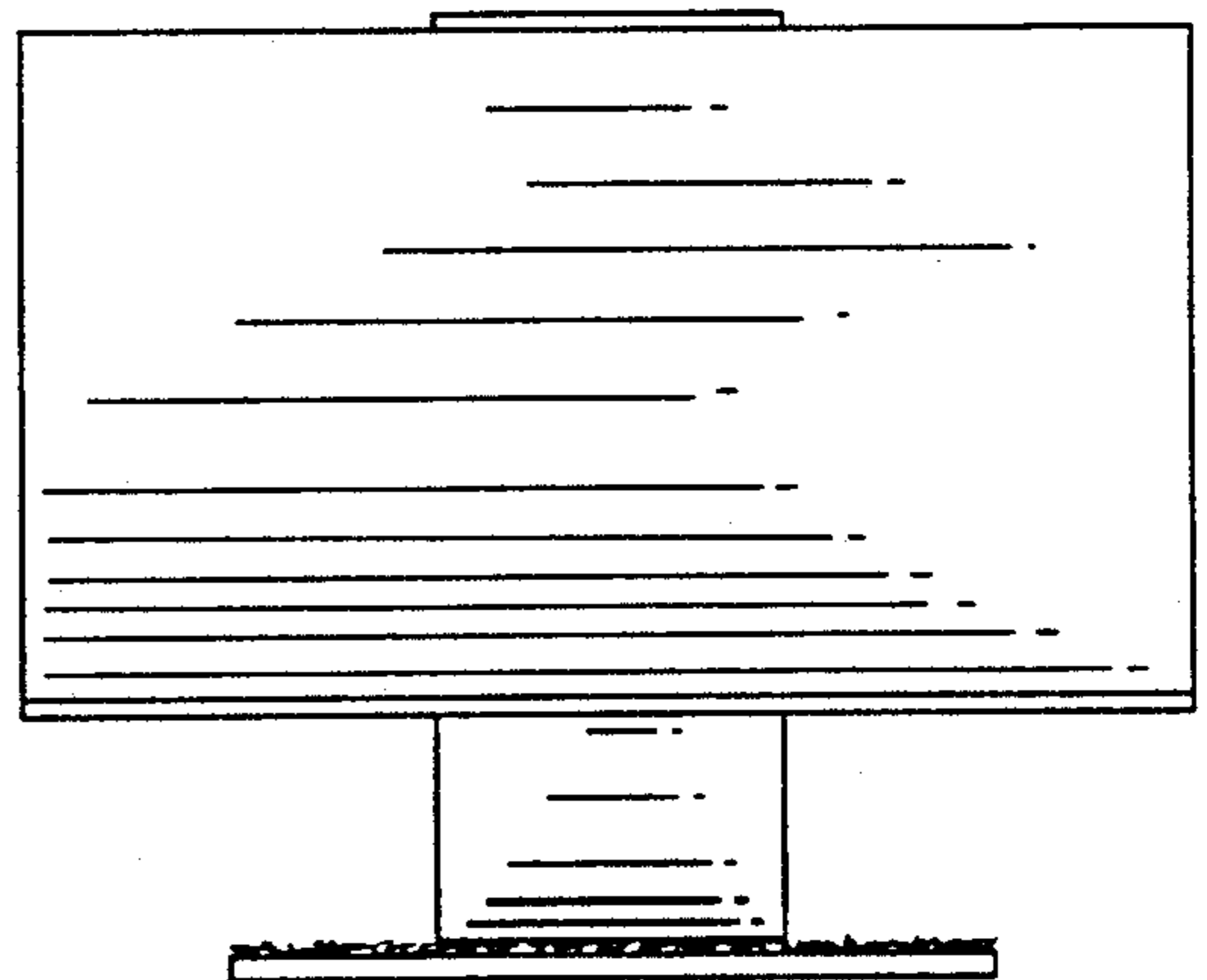


Fig. 2

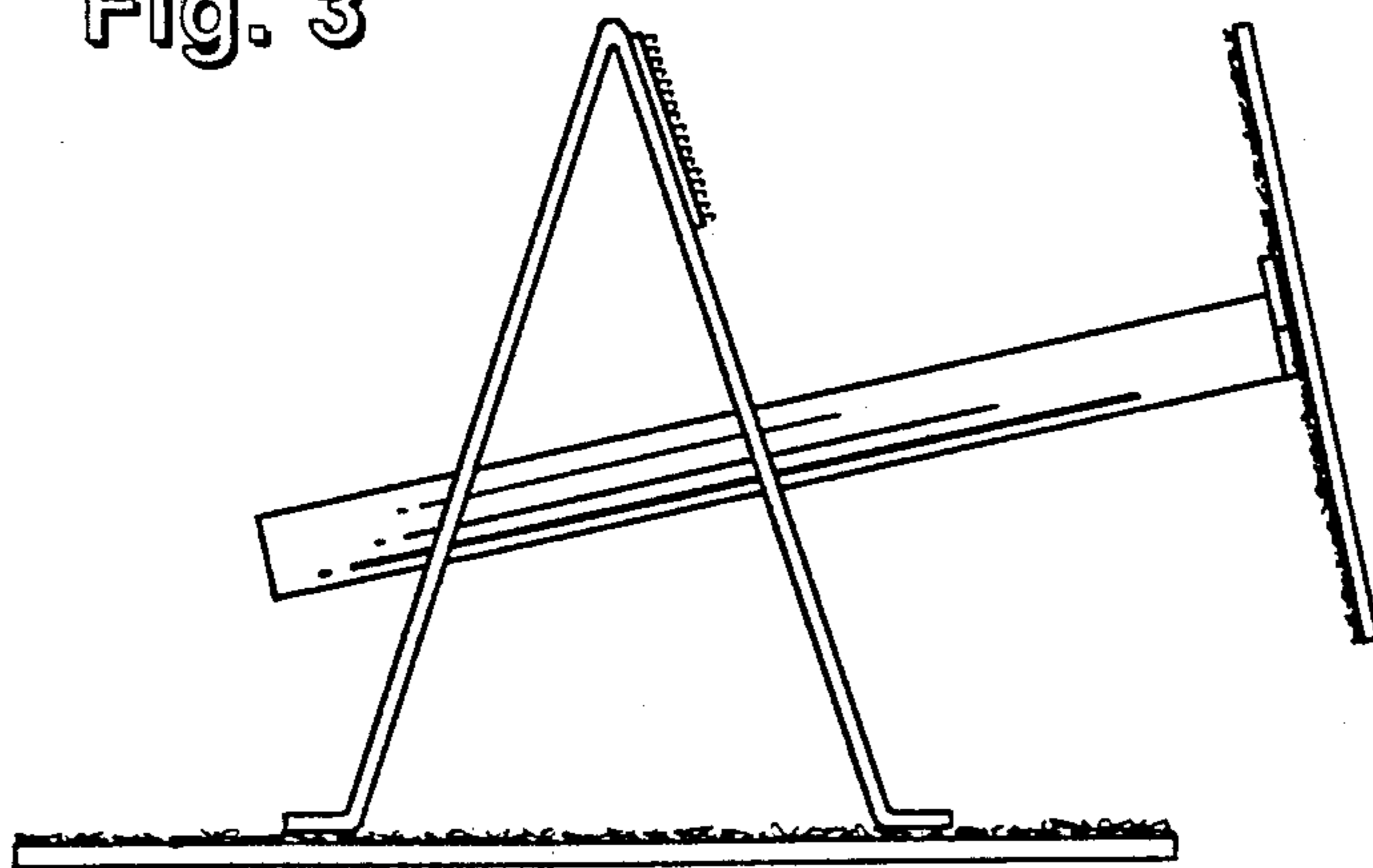


Fig. 7

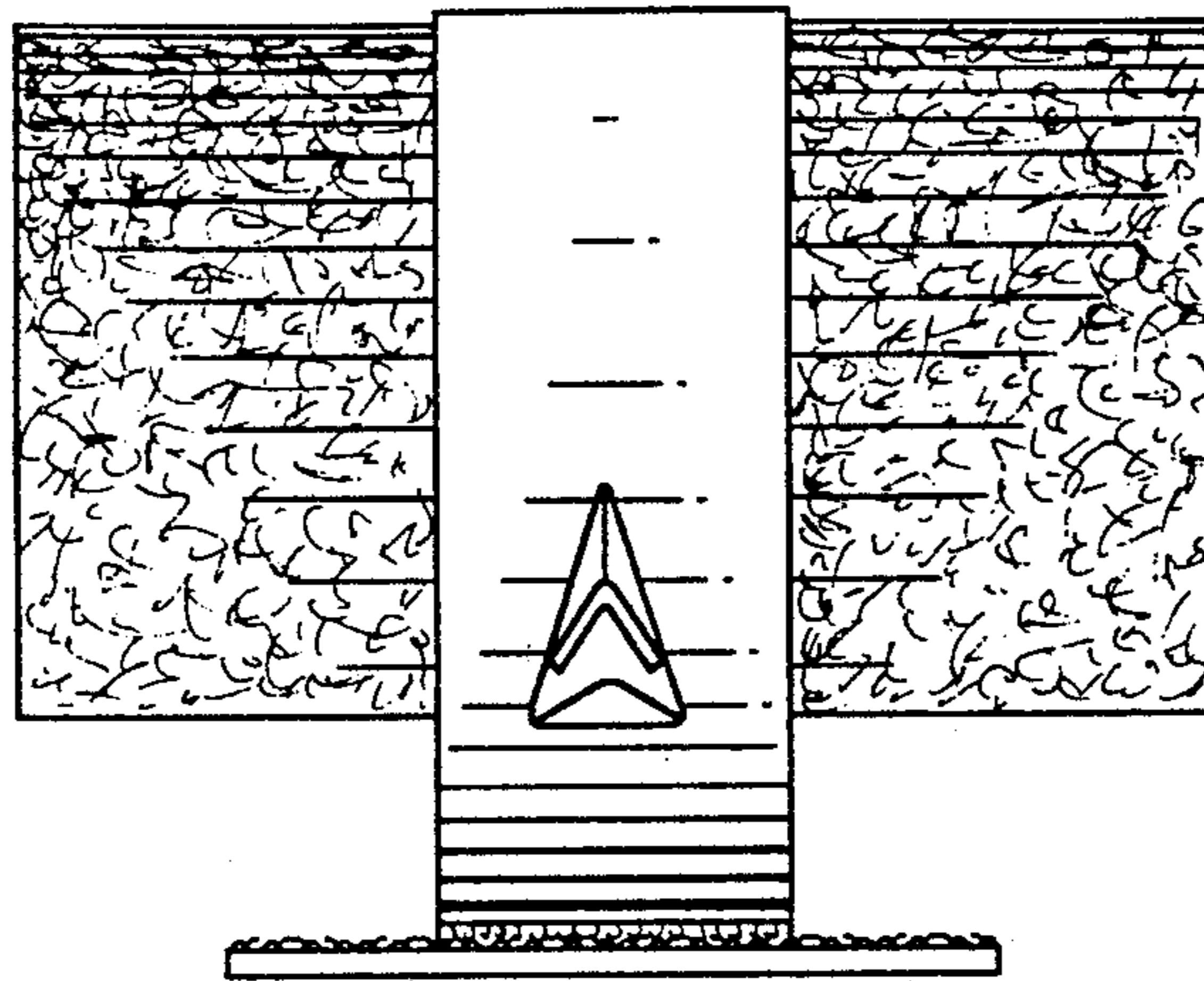


Fig. 4

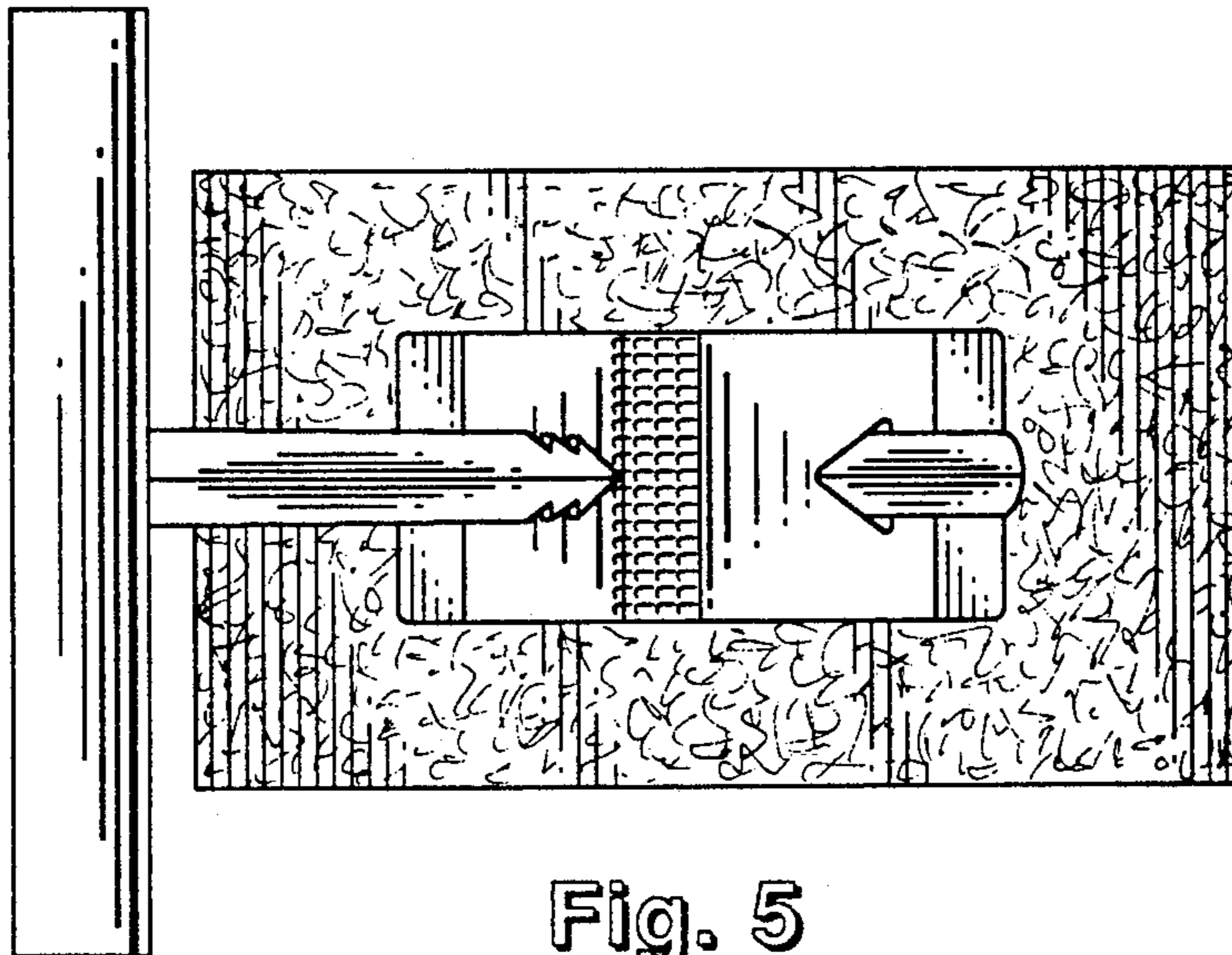


Fig. 5

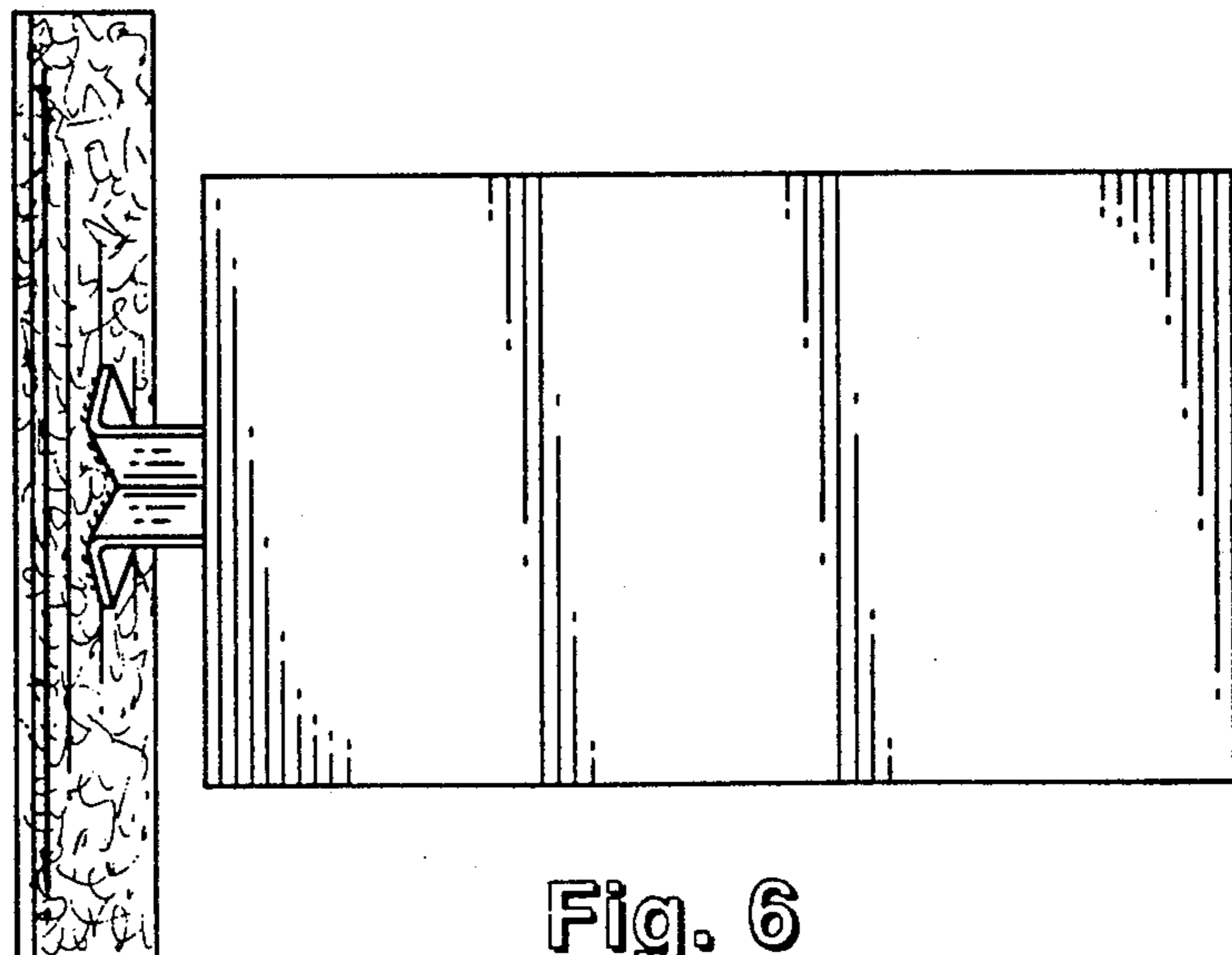


Fig. 6