



US00D335712S

**United States Patent** [19]  
**Cole**

[11] **Patent Number: Des. 335,712**

[45] **Date of Patent: \*\* May 18, 1993**

[54] **WINDOW SASH EXTRUSION**

[56] **References Cited**

**U.S. PATENT DOCUMENTS**

[75] **Inventor: Douglas L. Cole, Seattle, Wash.**

D. 307,485 4/1990 Westphal et al. .... D25/124  
D. 311,961 11/1990 Westphal et al. .... D25/124  
4,286,716 9/1981 Budich et al. .... 49/504

[73] **Assignee: Mikron Industries, Kent, Wash.**

*Primary Examiner*—A. Hugo Word  
*Assistant Examiner*—Doris Clark  
*Attorney, Agent, or Firm*—Seed and Berry

[\*\*] **Term: 14 Years**

[57] **CLAIM**

[21] **Appl. No.: 708,786**

The ornamental design for a window sash extrusion, as shown and described.

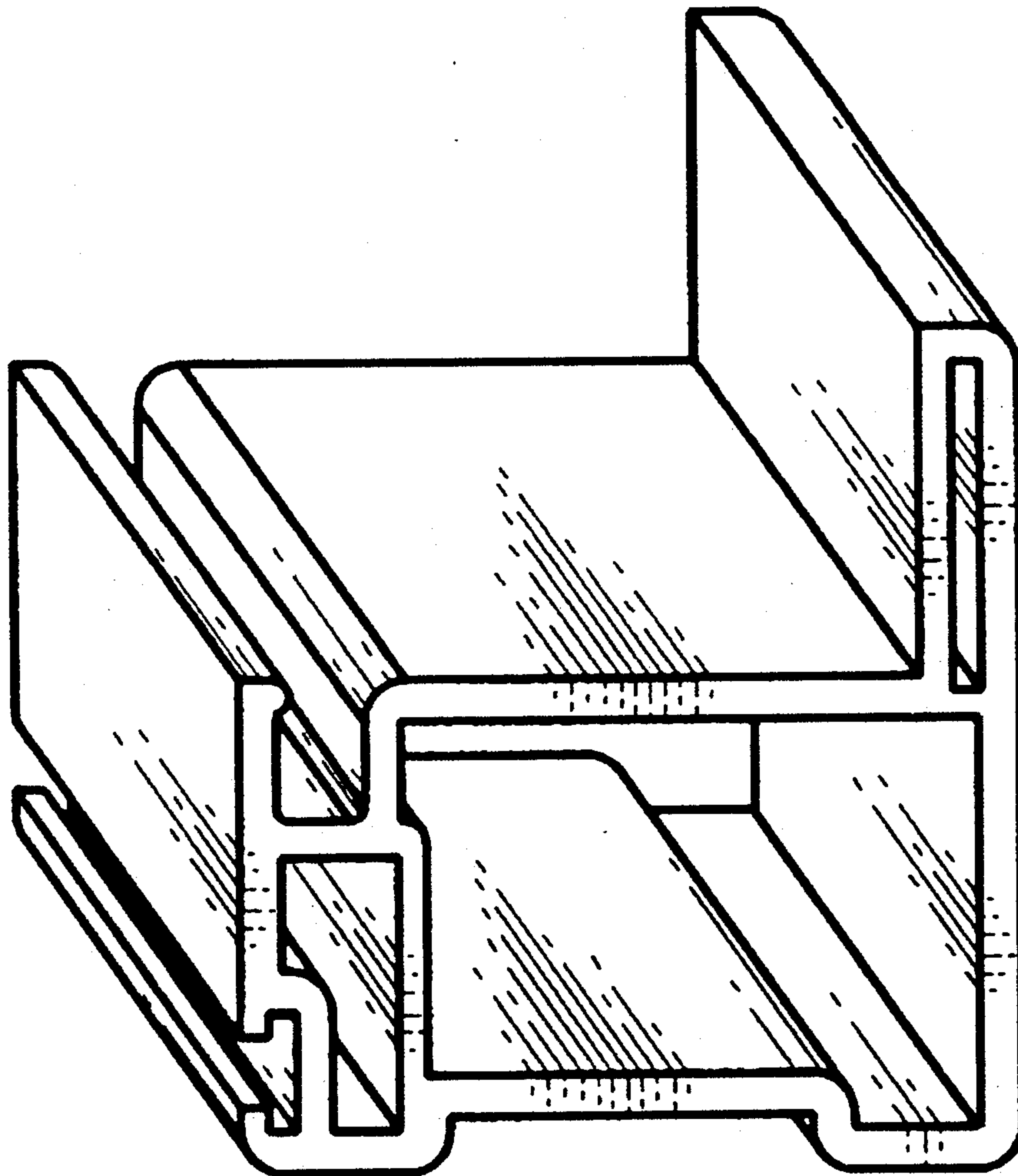
[22] **Filed: May 30, 1991**

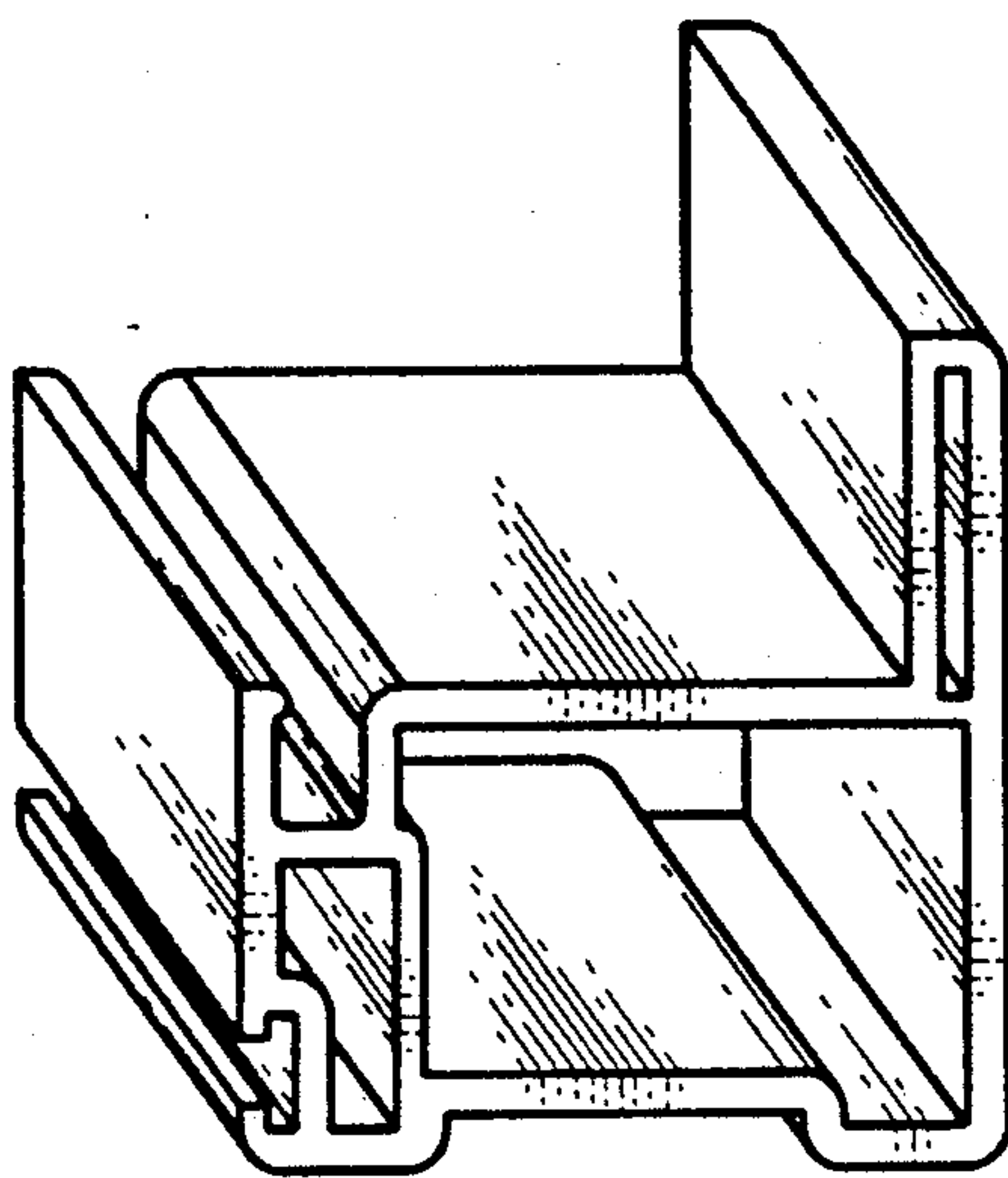
**DESCRIPTION**

[52] **U.S. Cl. .... D25/124**

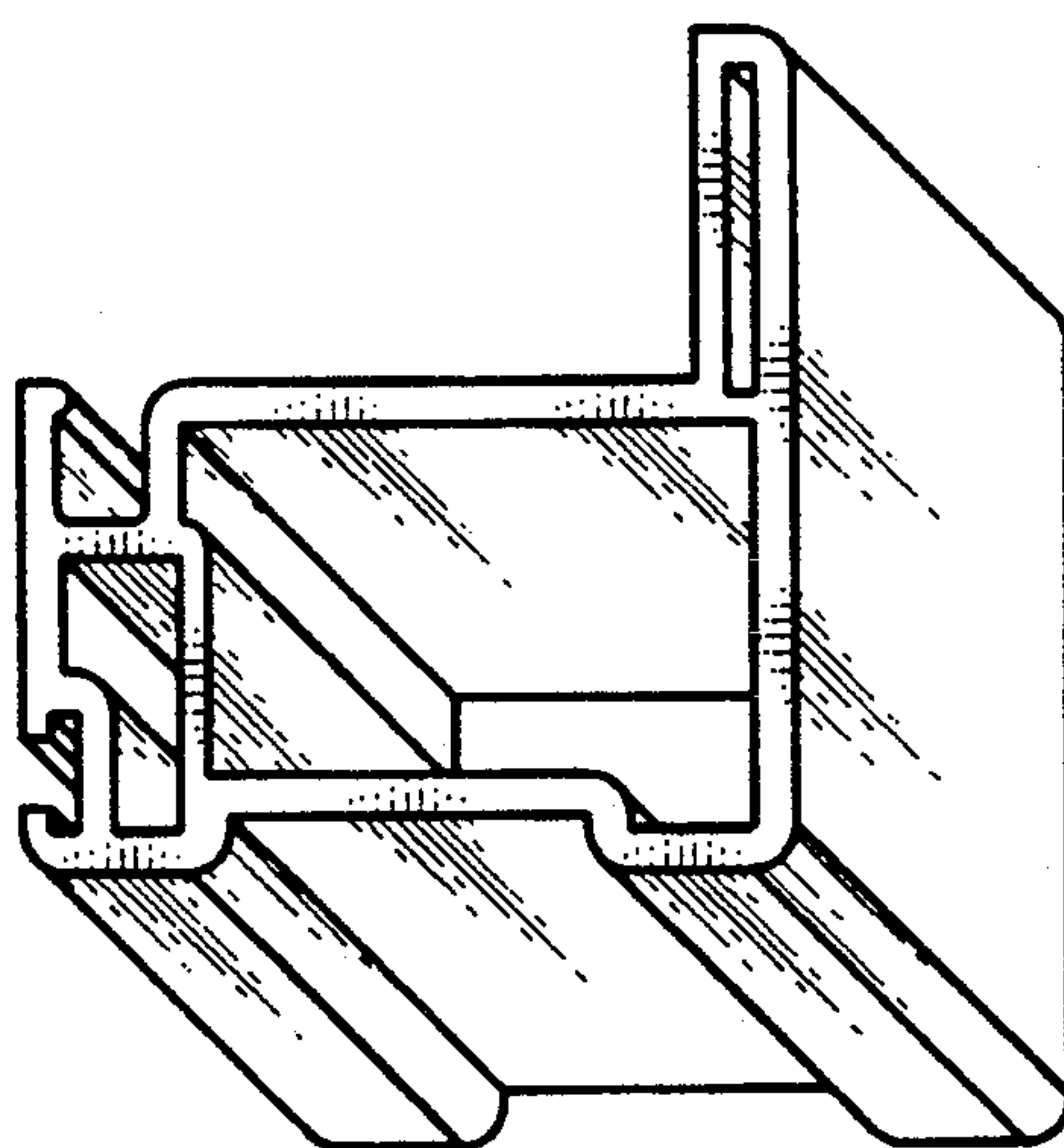
FIG. 1 is a top, right, perspective view of a window sash extrusion showing my new design; and, FIG. 2 is a bottom, left, perspective view thereof.

[58] **Field of Search .... D25/52, 122, 124, 125; 49/504, 501, DIG. 2; 52/202-204**





*FIG. 1*



*FIG. 2*