



US00D335701S

United States Patent [19]
Zaccai et al.

[11] **Patent Number: Des. 335,701**
[45] **Date of Patent: ** May 18, 1993**

[54] **BATHTUB**
[75] **Inventors: Gianfranco D. Zaccai, Boston;
Timothy C. Dearborn, Wellesley,
both of Mass.**
[73] **Assignee: Herman Miller, Inc., Zeeland, Mich.**
[**] **Term: 14 Years**
[21] **Appl. No.: 706,521**
[22] **Filed: May 28, 1991**
[52] **U.S. Cl. D23/277**
[58] **Field of Search D23/270, 271, 273, 275,
D23/277-283, 303-307; D24/201-205; 4/538,
541.1-541.6, 557, 559, 560.1-561, 571.1-578.1,
584, 589, 590, 596, 610, 611, 612, 614, 621, 622,
675**

D. 203,803 2/1966 Tecton D23/277
D. 224,302 7/1972 Tiller .
D. 253,125 10/1979 Primault D23/282
D. 254,688 4/1980 Reineman .
D. 254,870 4/1980 Ogden D23/281 X
1,432,916 10/1922 Schwartz .
2,168,079 8/1939 Zinkil 4/590
4,676,894 6/1987 Diamond et al. .
5,101,521 4/1992 Levien 4/567 X

Primary Examiner—James R. Largen
Attorney, Agent, or Firm—William, Brinks, Olds, Hofer,
Gilson & Lione

[56] **References Cited**
U.S. PATENT DOCUMENTS
D. 90,361 7/1933 Druckenmiller .
D. 126,223 4/1941 Ille D23/282 X
D. 193,237 7/1962 Parker D23/281

[57] **CLAIM**
The ornamental design for a bathtub, as shown.

DESCRIPTION
FIG. 1 is a top perspective view of a bathtub showing our new design;
FIG. 2 is a top view thereof;
FIG. 3 is a front view thereof;
FIG. 4 is a back view thereof;
FIG. 5 is a right side view thereof; and,
FIG. 6 is a left side view thereof.

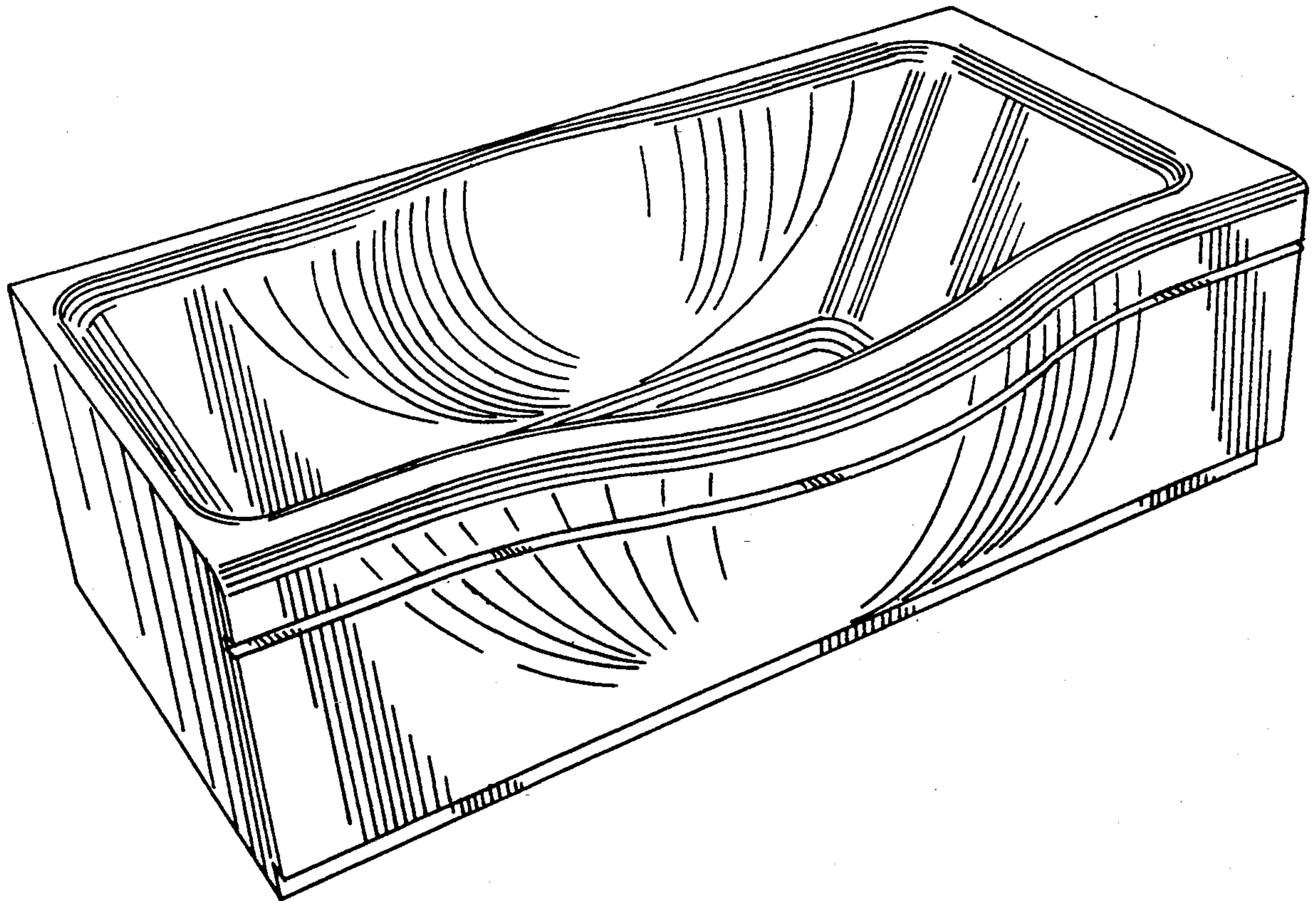


FIG. 1

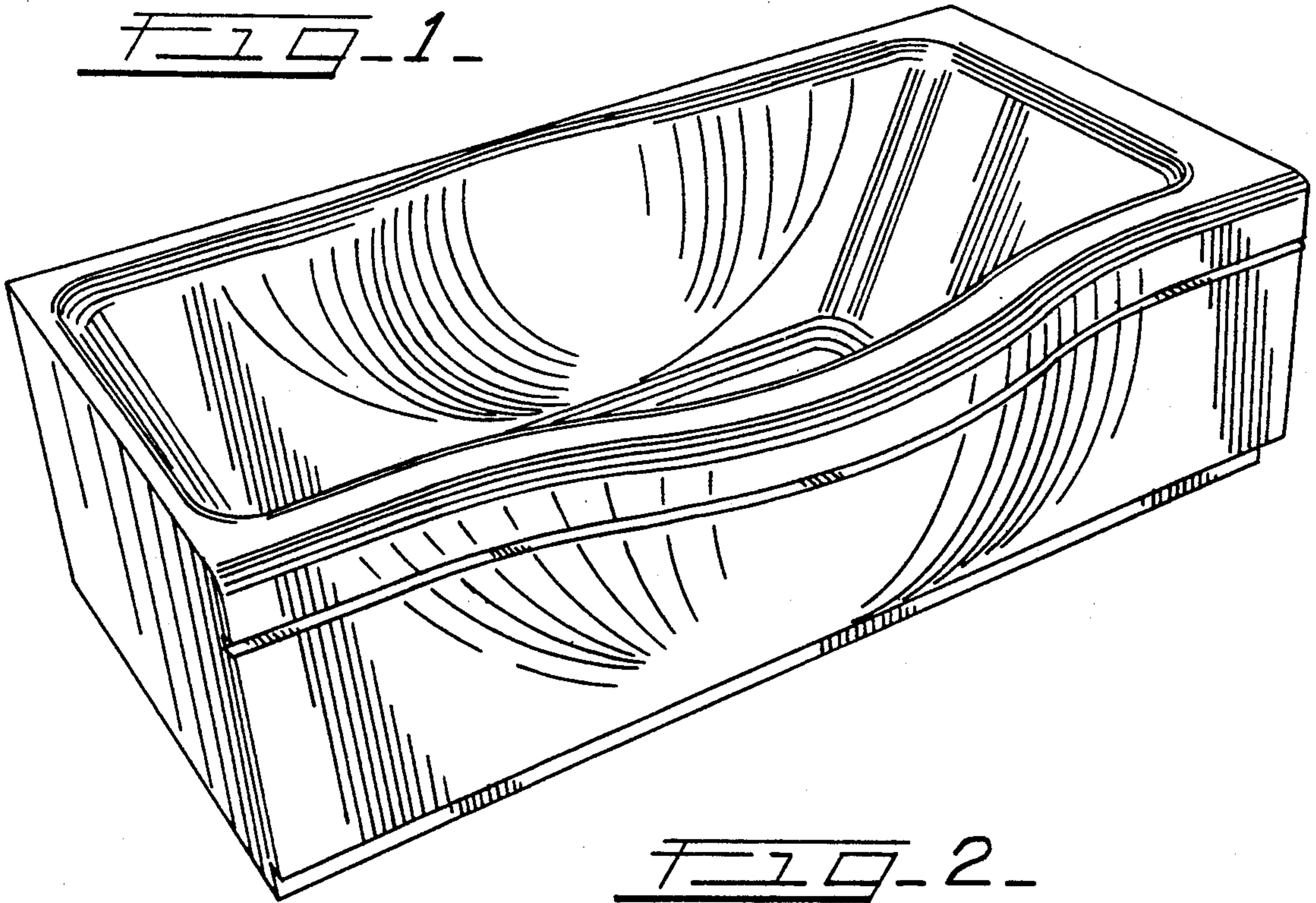


FIG. 2

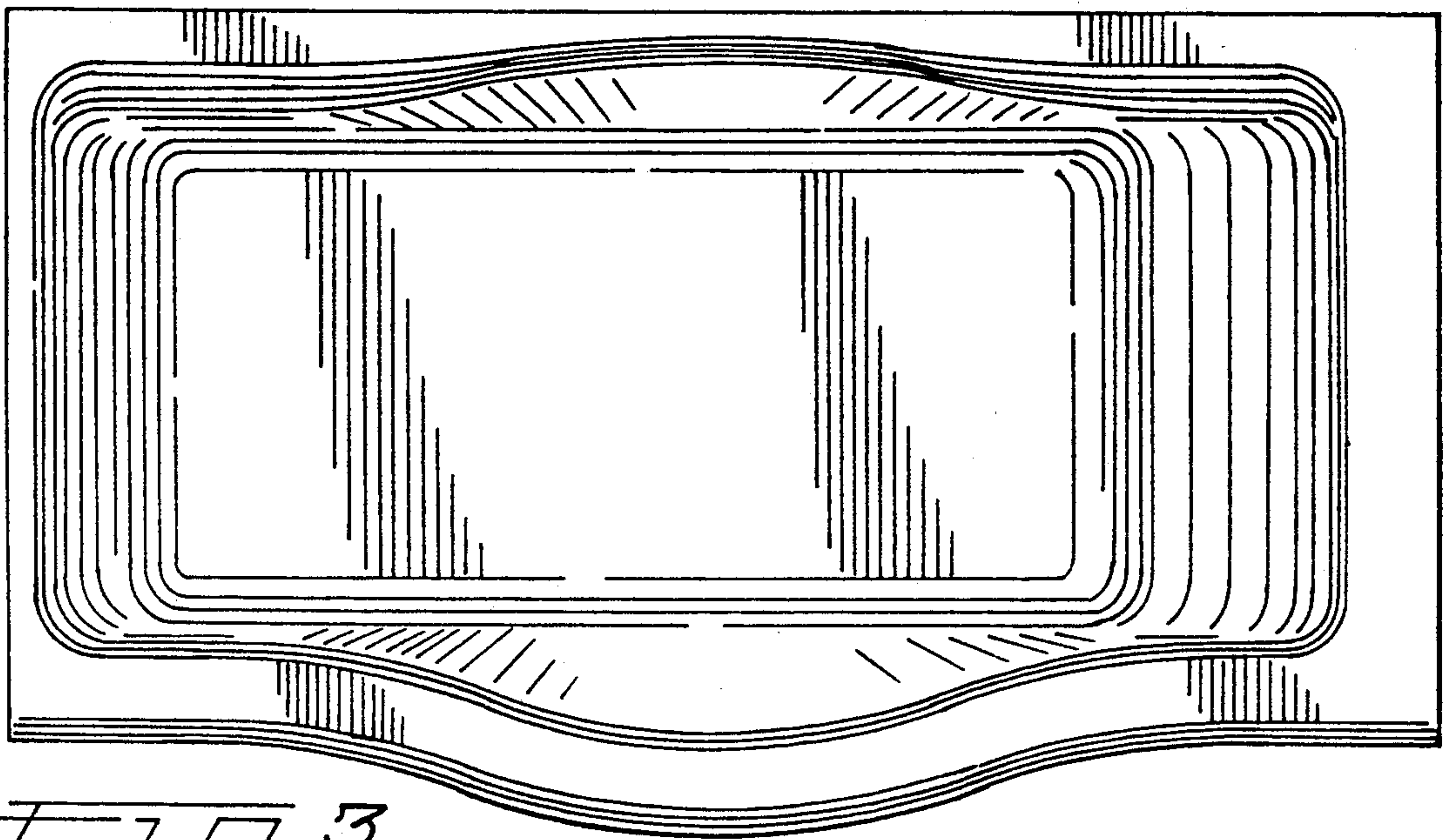


FIG. 3

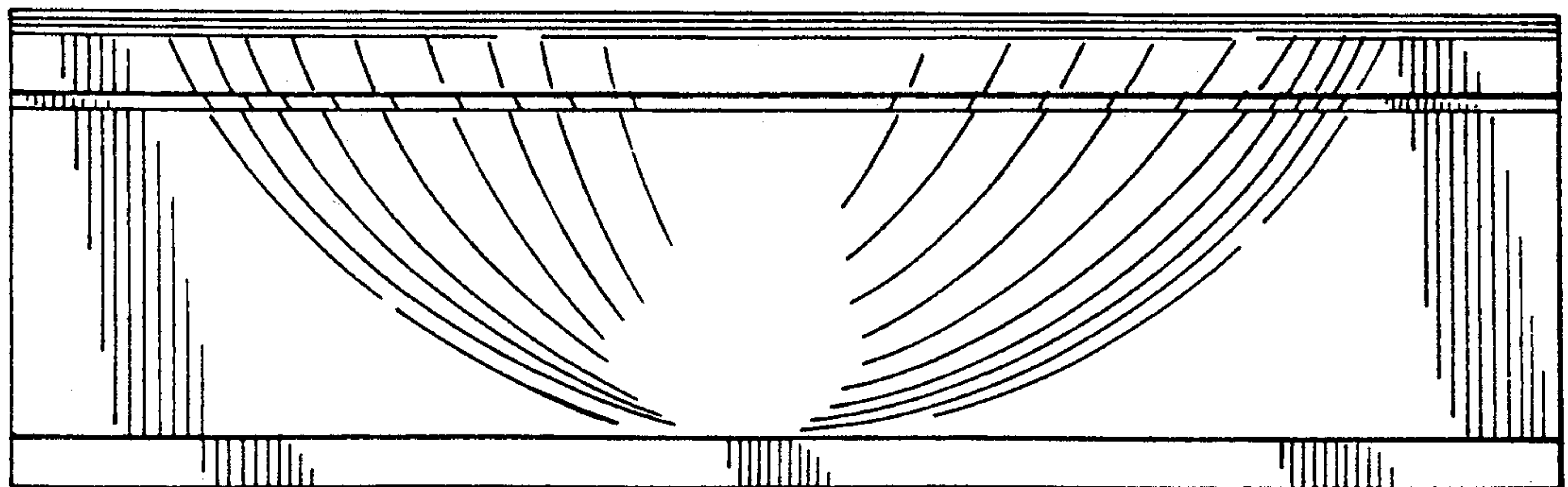


FIG. 4.

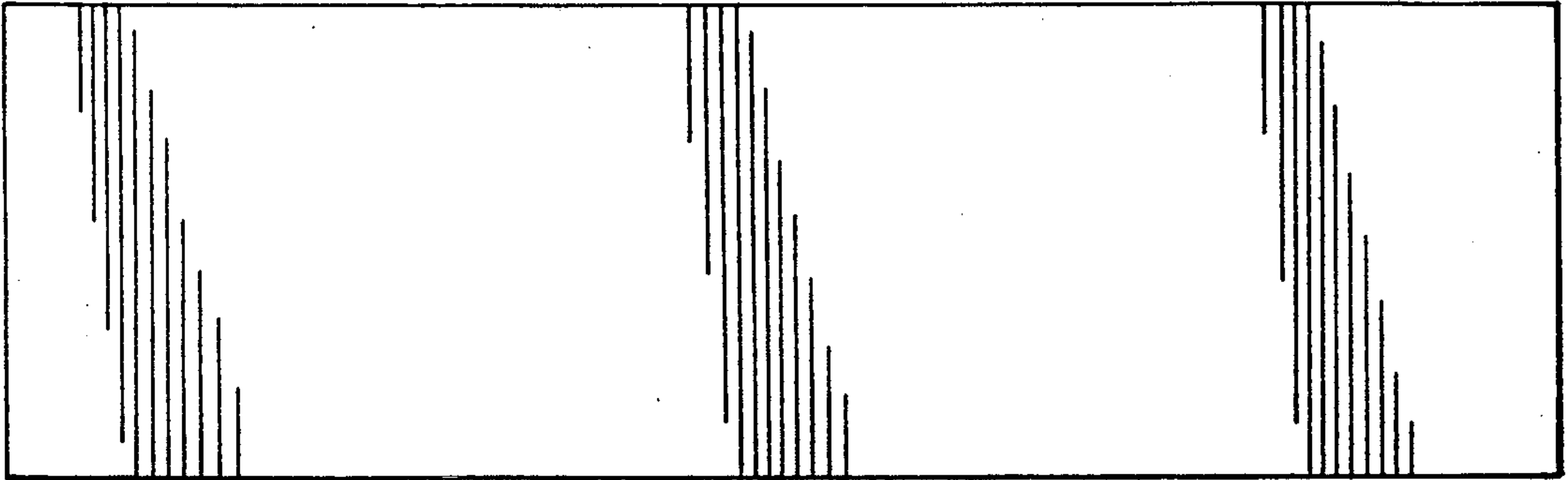


FIG. 5.

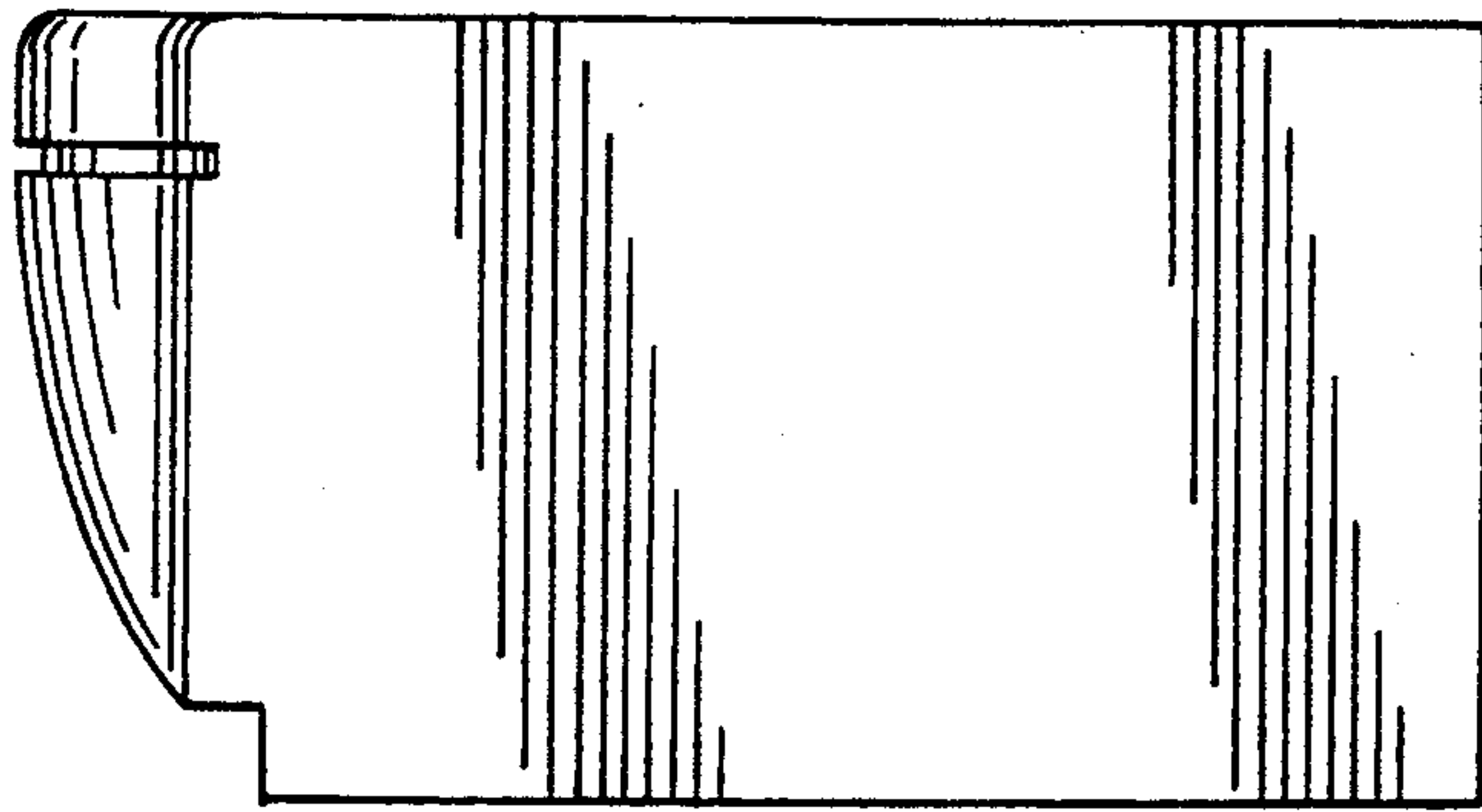


FIG. 6.

