



US00D335696S

United States Patent [19]

[11] Patent Number: **Des. 335,696**

Byers et al.

[45] Date of Patent: **** May 18, 1993**

[54] **GOLF STANCE AND SWING TRAINING AID**

4,572,512 2/1986 Tegart .
4,718,674 1/1988 Henry .
4,805,913 2/1989 Bott .

[76] Inventors: **James Byers; Shirley Byers**, both of
895 W. Main St., Newark, Ohio
43055

Primary Examiner—Melvin B. Feifer
Attorney, Agent, or Firm—Terry M. Gernstein

[**] Term: **14 Years**

[57] **CLAIM**

[21] Appl. No.: **601,580**

The ornamental design for a golf stance and swing training aid, as shown and described.

[22] Filed: **Oct. 23, 1990**

DESCRIPTION

[52] U.S. Cl. **D21/234**

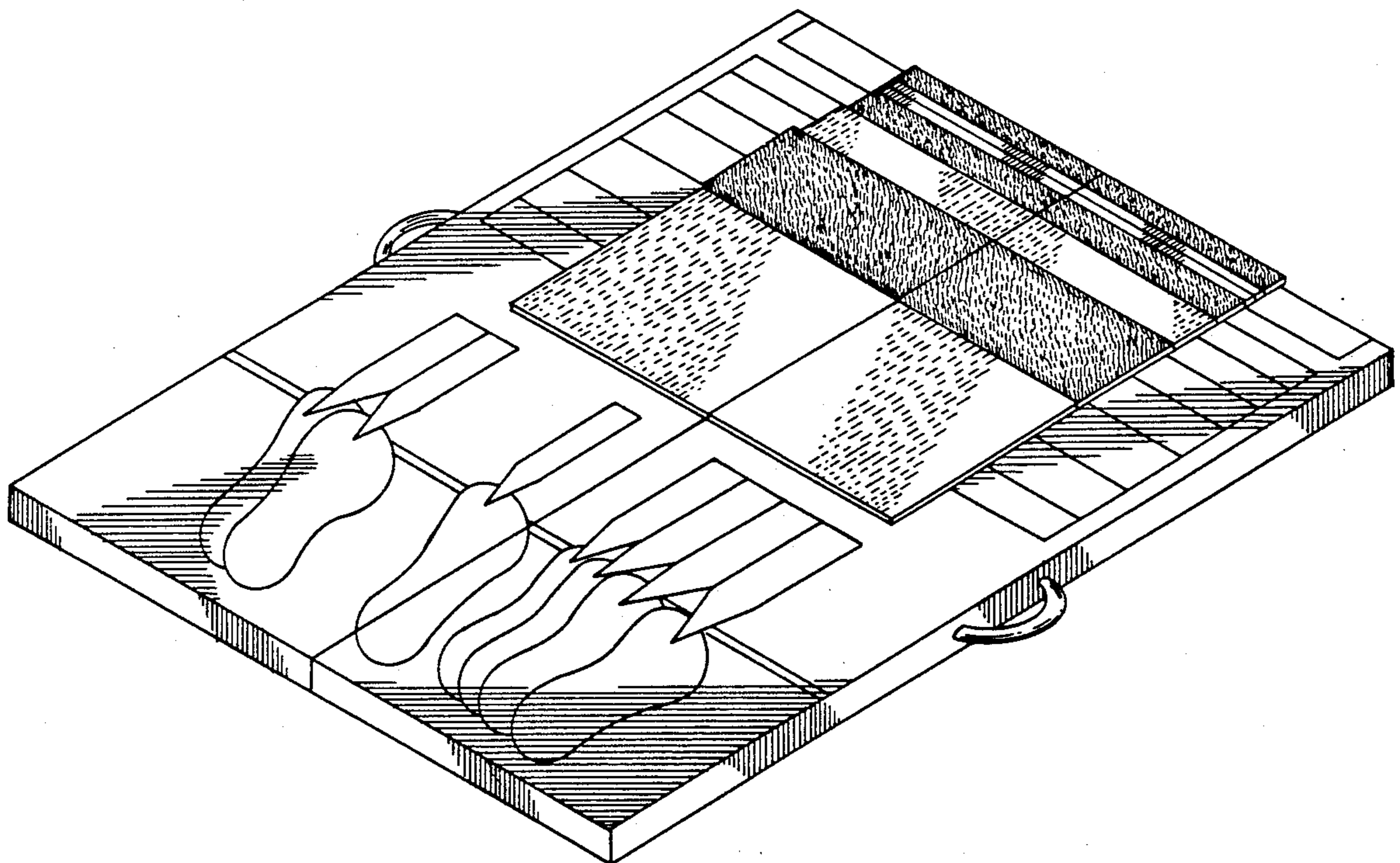
[58] Field of Search **D21/234; 273/183 A,
273/187 R, 195 R, 195 A, 186 C**

FIG. 1 is a perspective view of a golf stance and swing training aid showing our new design;
FIG. 2 is a top plan view thereof;
FIG. 3 is a rear view thereof;
FIG. 4 is a side elevational view thereof, the side opposite being a mirror image of the side shown in FIG. 4;
FIG. 5 is a top end view thereof, the bottom end view being a mirror image of the top view shown in FIG. 5;
and,
FIG. 6 is a perspective view thereof in the closed condition.

[56] **References Cited**

U.S. PATENT DOCUMENTS

D. 190,241	5/1961	Miller	D21/234
D. 225,242	11/1972	Pruitt	D21/234
4,023,810	5/1977	Lorang	273/186 C
4,311,312	1/1982	O'Brien	273/195 A
4,387,896	1/1983	O'Brien	273/195 A
4,392,662	6/1984	Blaisdell	273/195 A



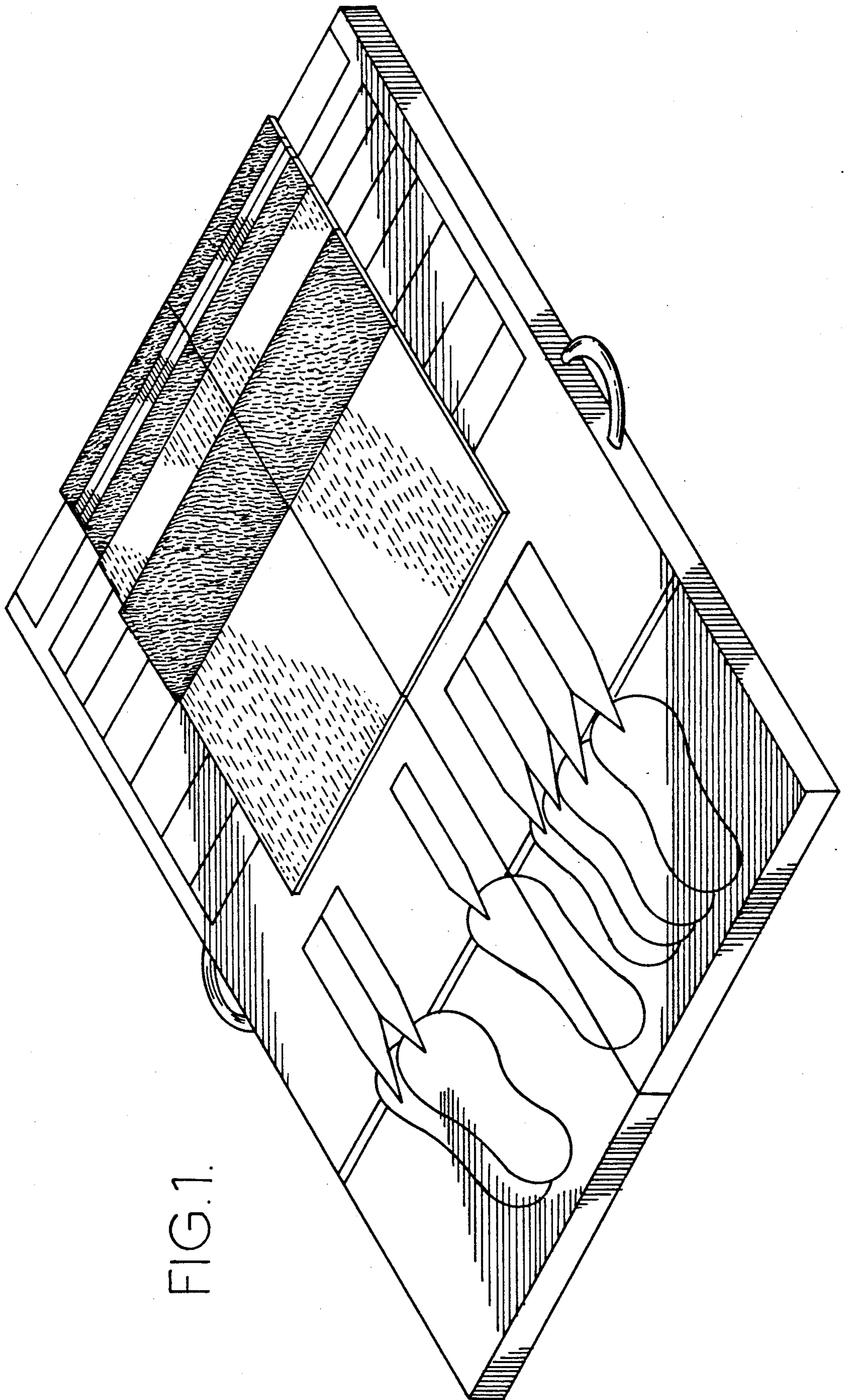


FIG. 1.

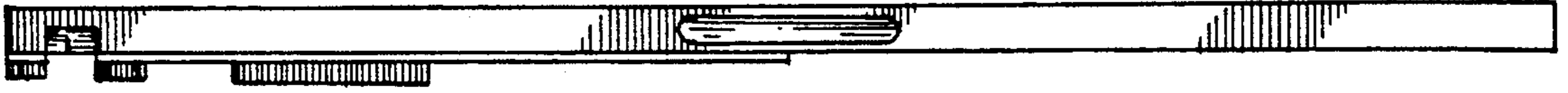


FIG. 4.

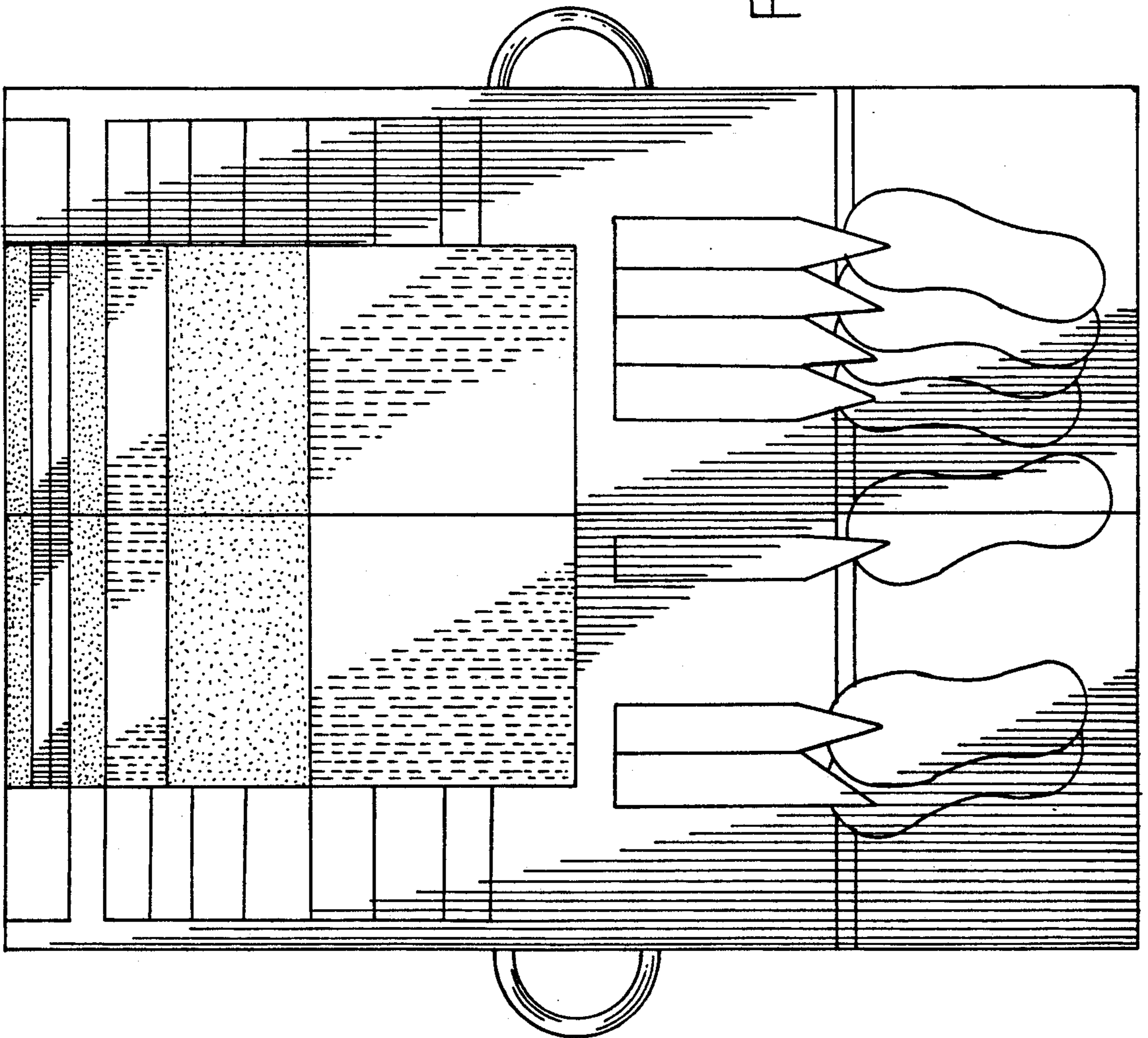


FIG. 2.

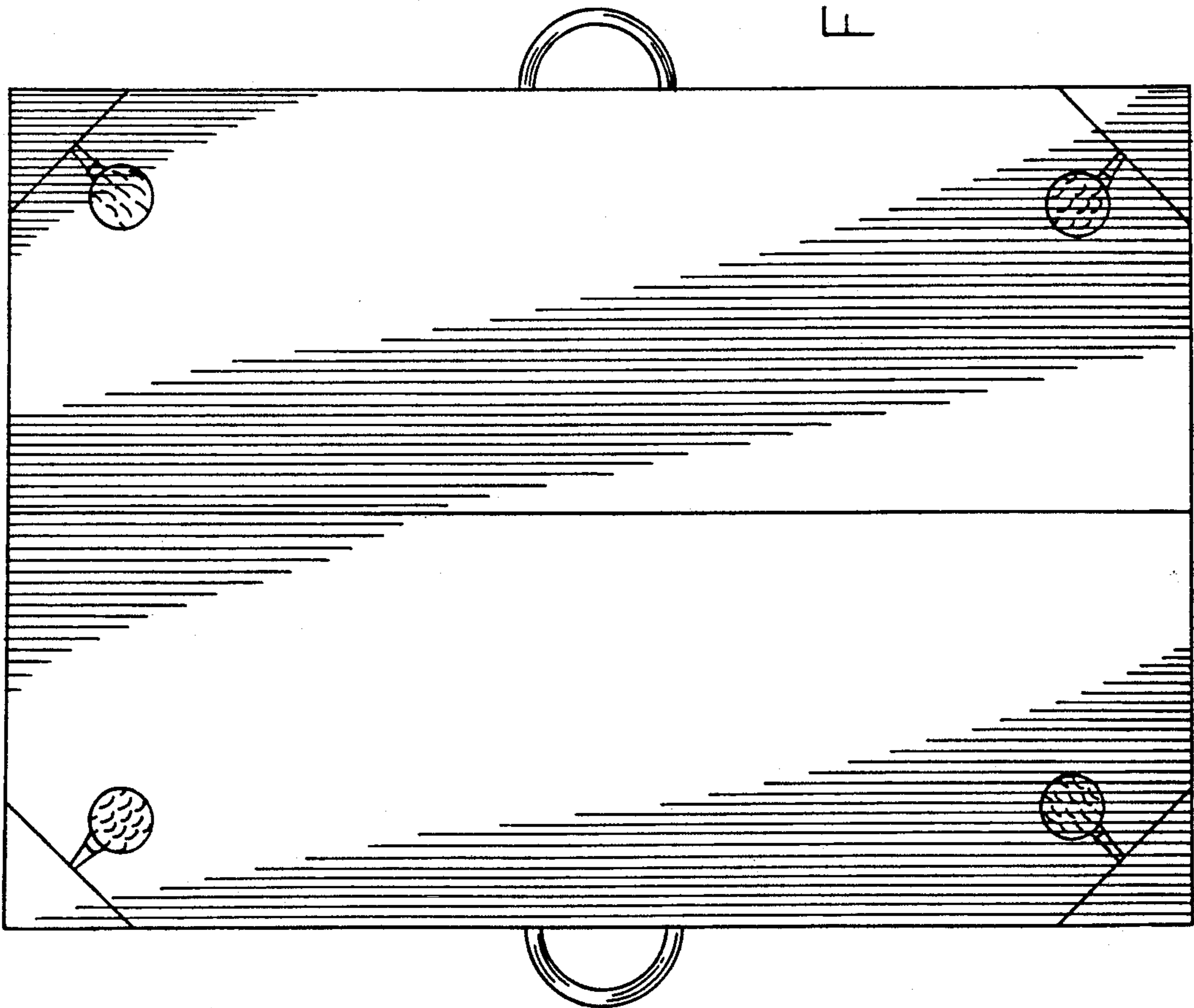


FIG. 3.

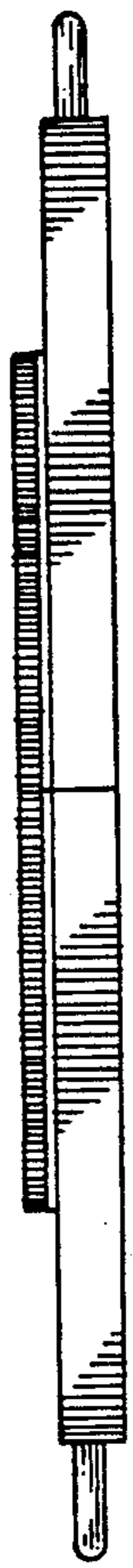


FIG. 5.

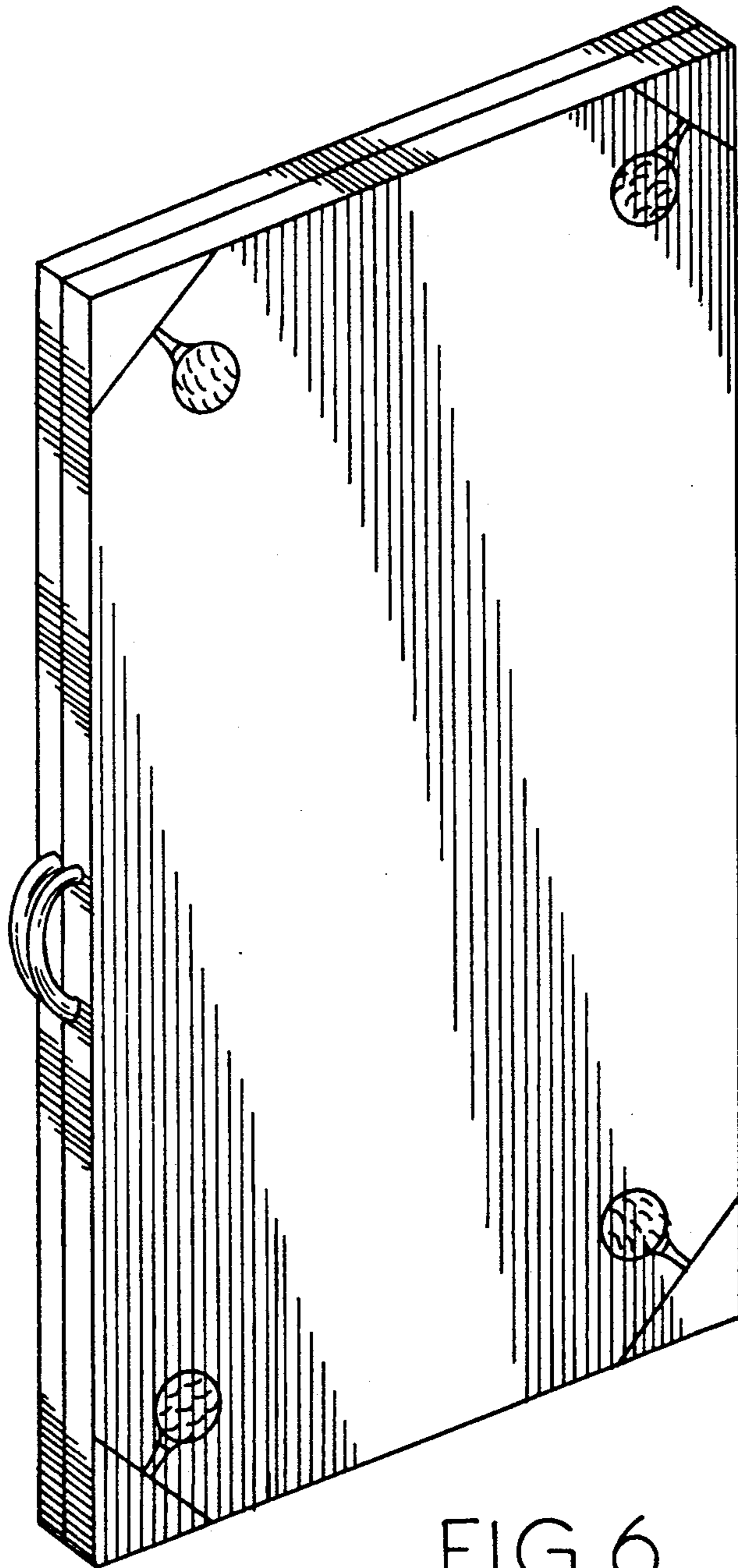


FIG. 6.