



US00D335691S

United States Patent [19]

[11] Patent Number: **Des. 335,691**

Barker et al.

[45] Date of Patent: **** May 18, 1993**

[54] PUTTER HEAD

[75] Inventors: **Robert W. Barker**, Paradise Valley, Ariz.; **Richard D. Barker**, 5333 Baltimore Dr., LaMesa, Calif. 92042

[73] Assignee: **Richard D. Barker**, LaMesa, Calif.

[**] Term: **14 Years**

[21] Appl. No.: **650,551**

[22] Filed: **Jan. 22, 1991**

[52] U.S. Cl. **D21/217**

[58] Field of Search **D21/217, 218, 219;**
273/164.1, 164.2, 167-175

[56] References Cited

U.S. PATENT DOCUMENTS

D. 213,507	3/1969	Koenig	D21/217
4,174,108	11/1979	Reinholz	273/168
4,569,523	2/1986	Jarvis	273/164.1

OTHER PUBLICATIONS

Golf Digest, Dec. 1970, p. 90, middle, Ring Rite Putter.

Primary Examiner—Melvin B. Feifer

Attorney, Agent, or Firm—Richard G. Harrer; Charles E. Cates

[57] CLAIM

The ornamental design for putter head, as shown and described.

DESCRIPTION

FIG. 1 is a perspective view of a putter head showing our new design;

FIG. 2 is a side elevational view thereof;

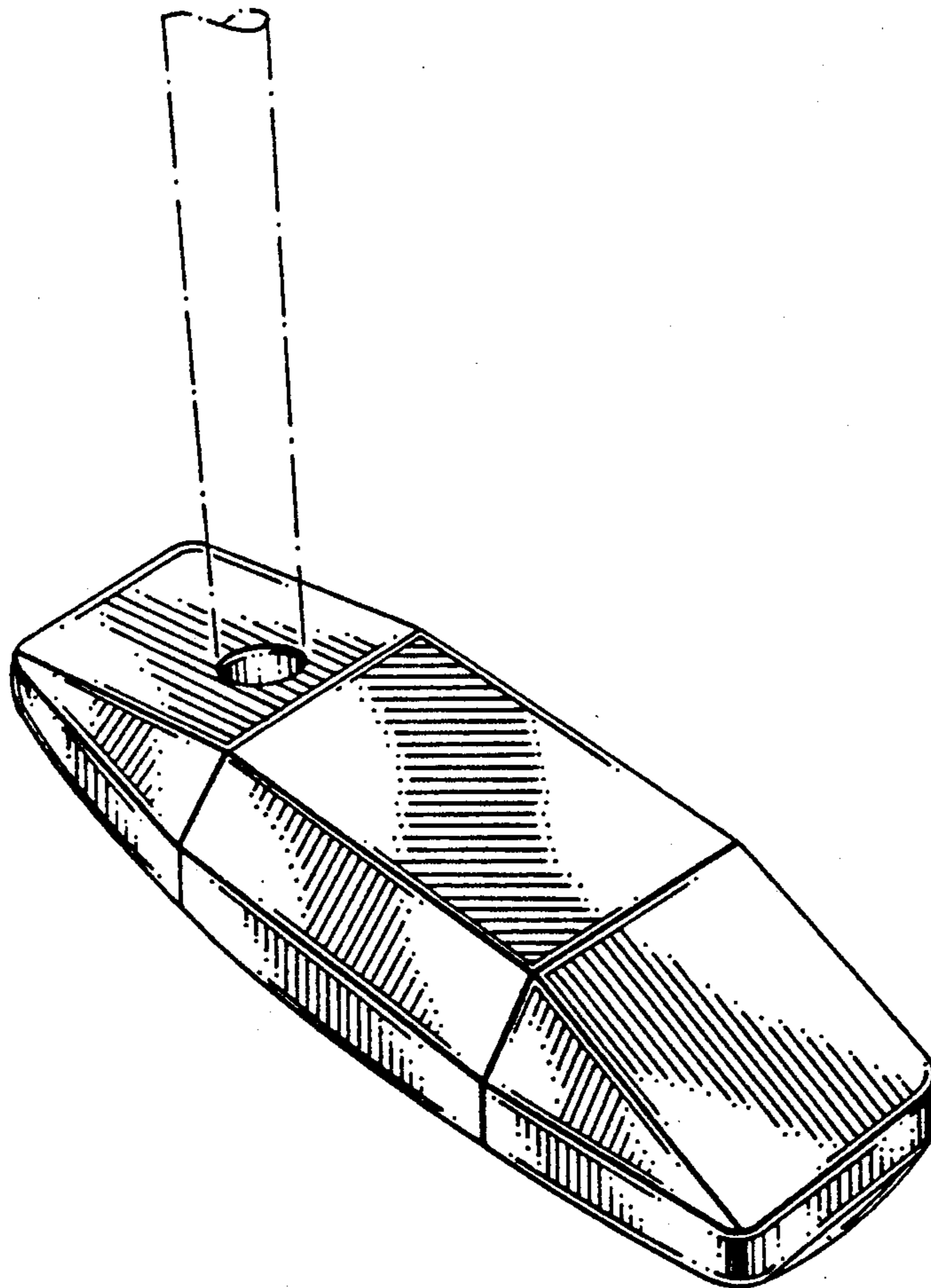
FIG. 3 is a top view thereof;

FIG. 4 is a side elevational view thereof opposite to that shown in FIG. 2;

FIG. 5 is a rear view thereof; and,

FIG. 6 is a front view thereof.

The broken lines showing, in part, a shaft is for illustrative purposes only and forms no part of the claimed design.



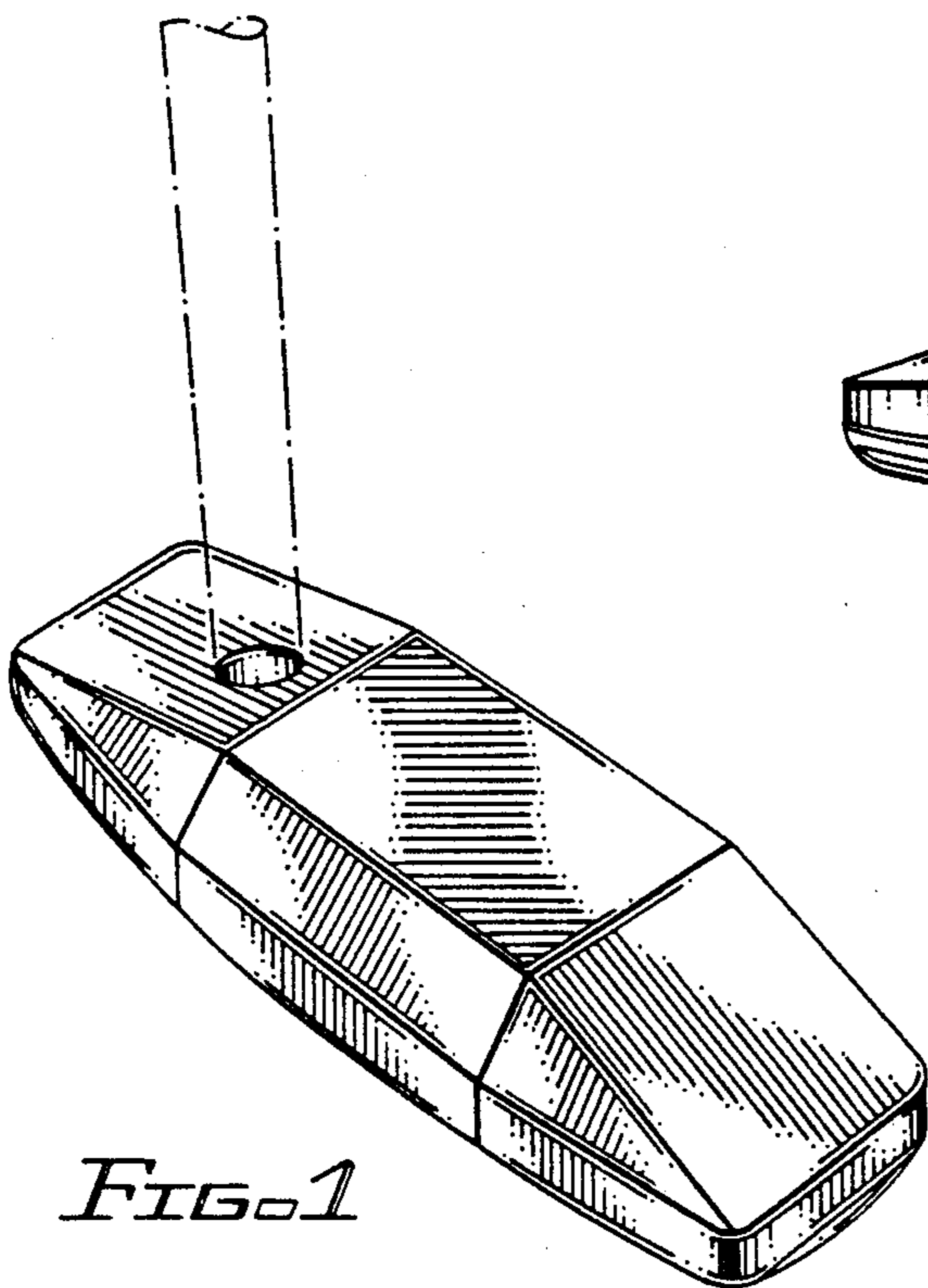


FIG. 1

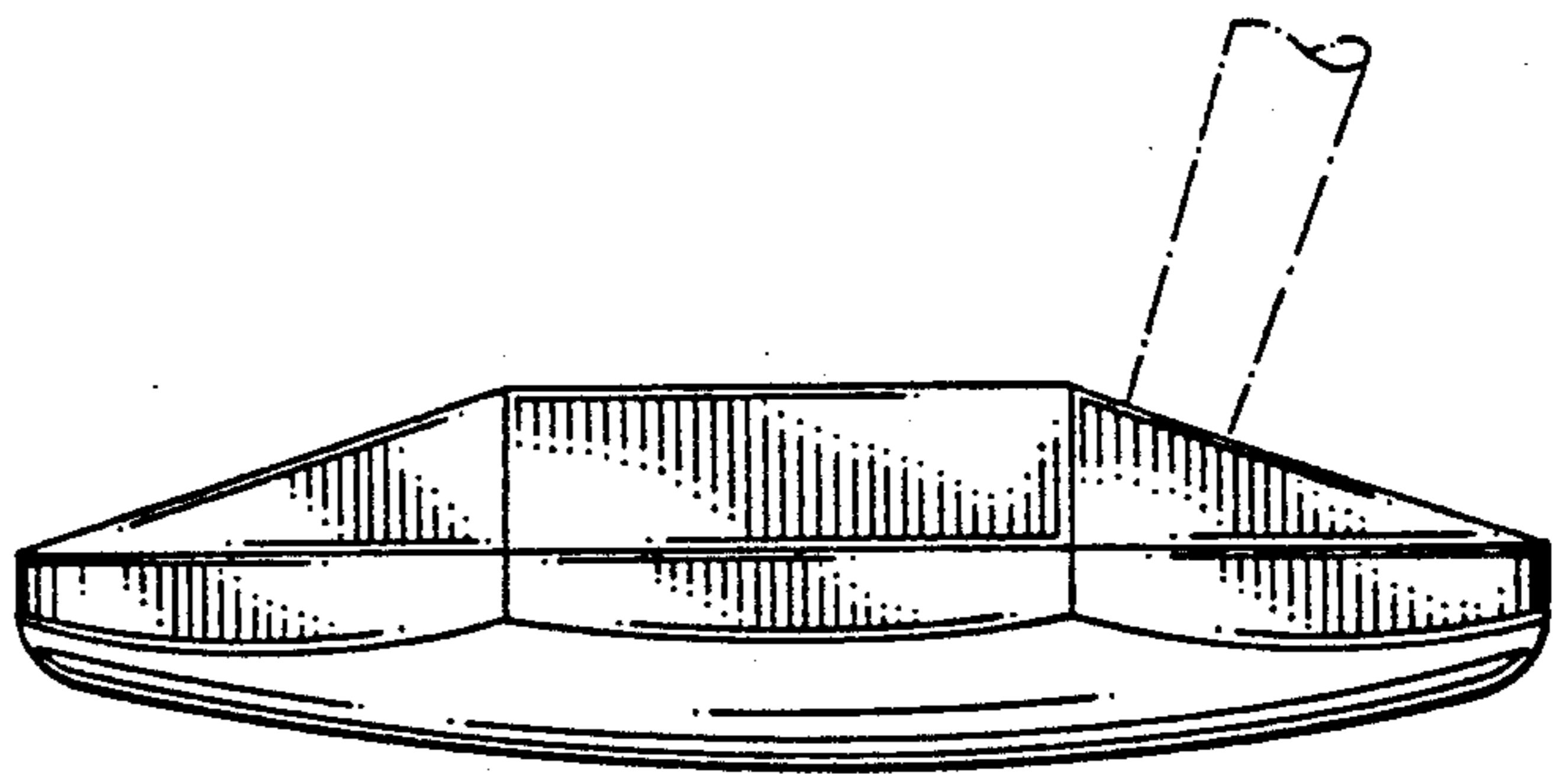


FIG. 2

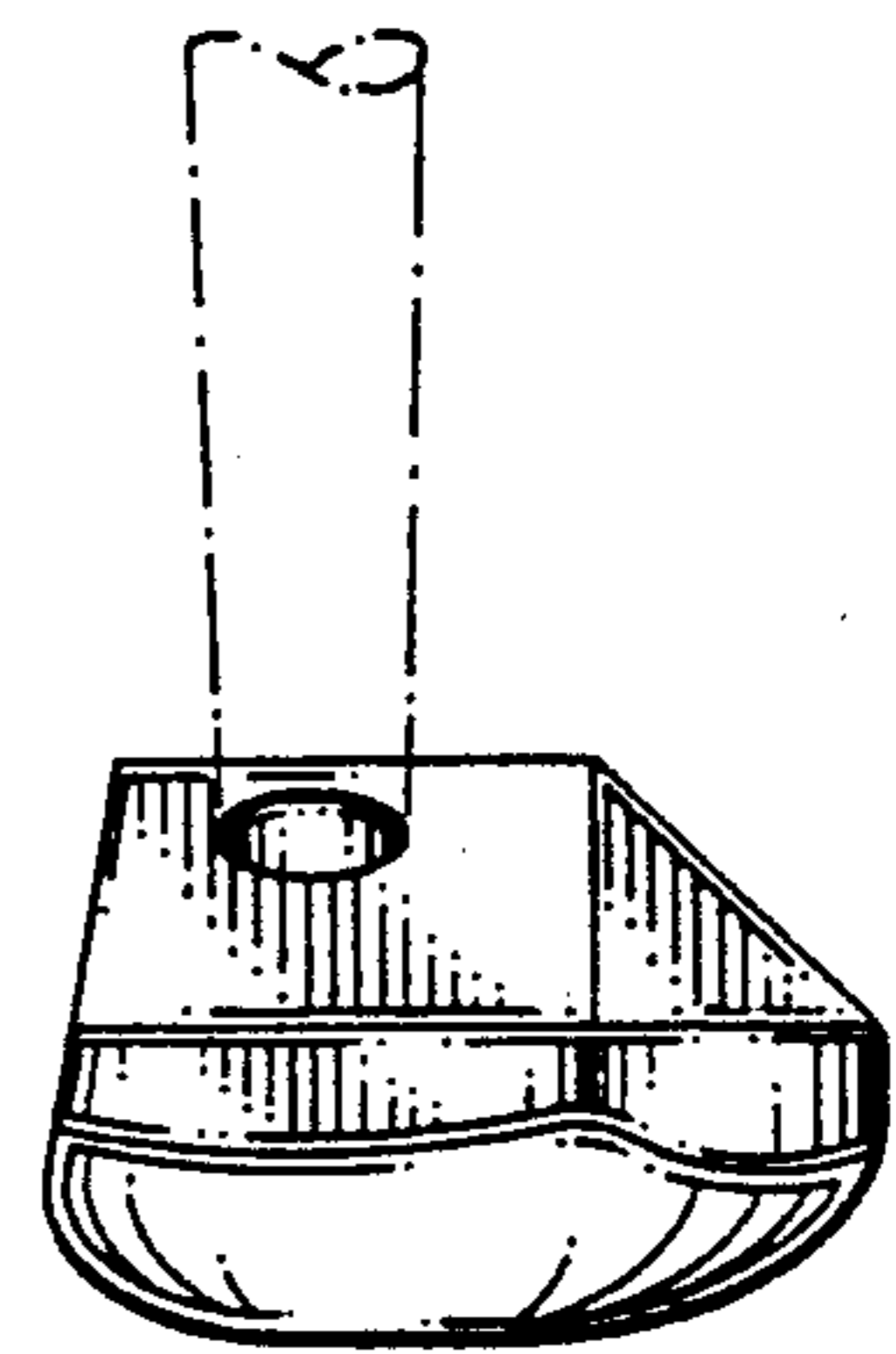


FIG. 5

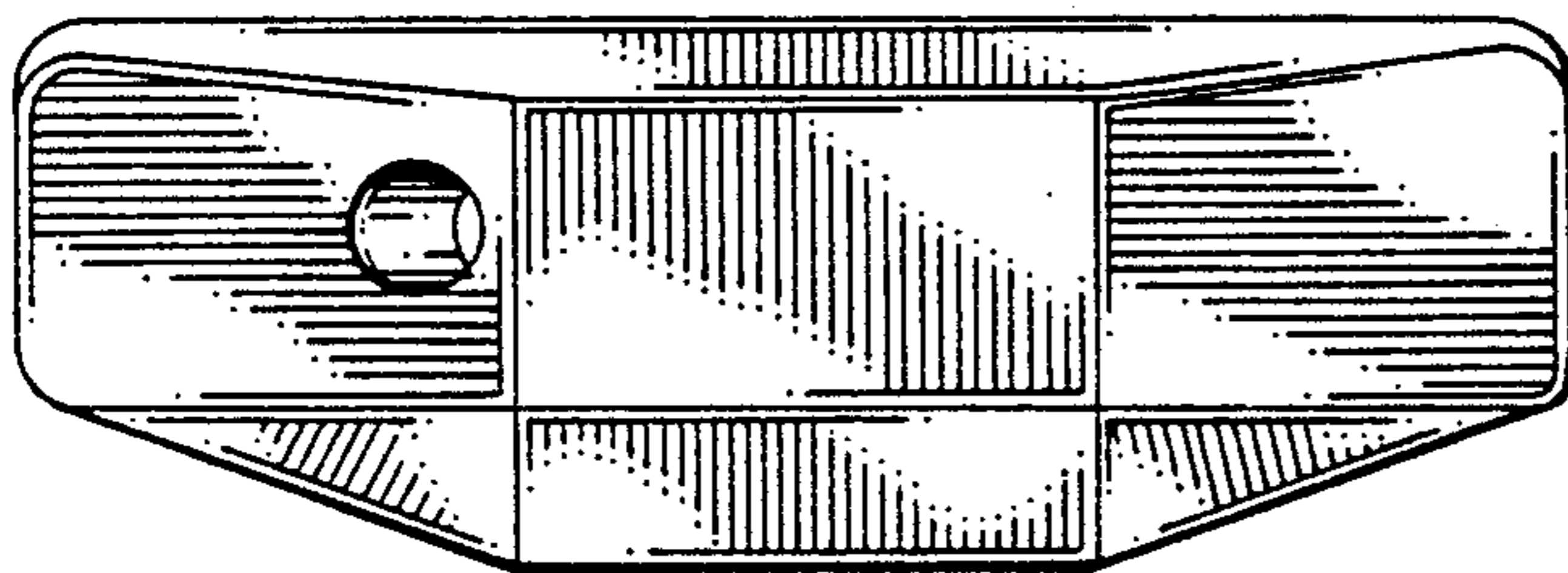


FIG. 3

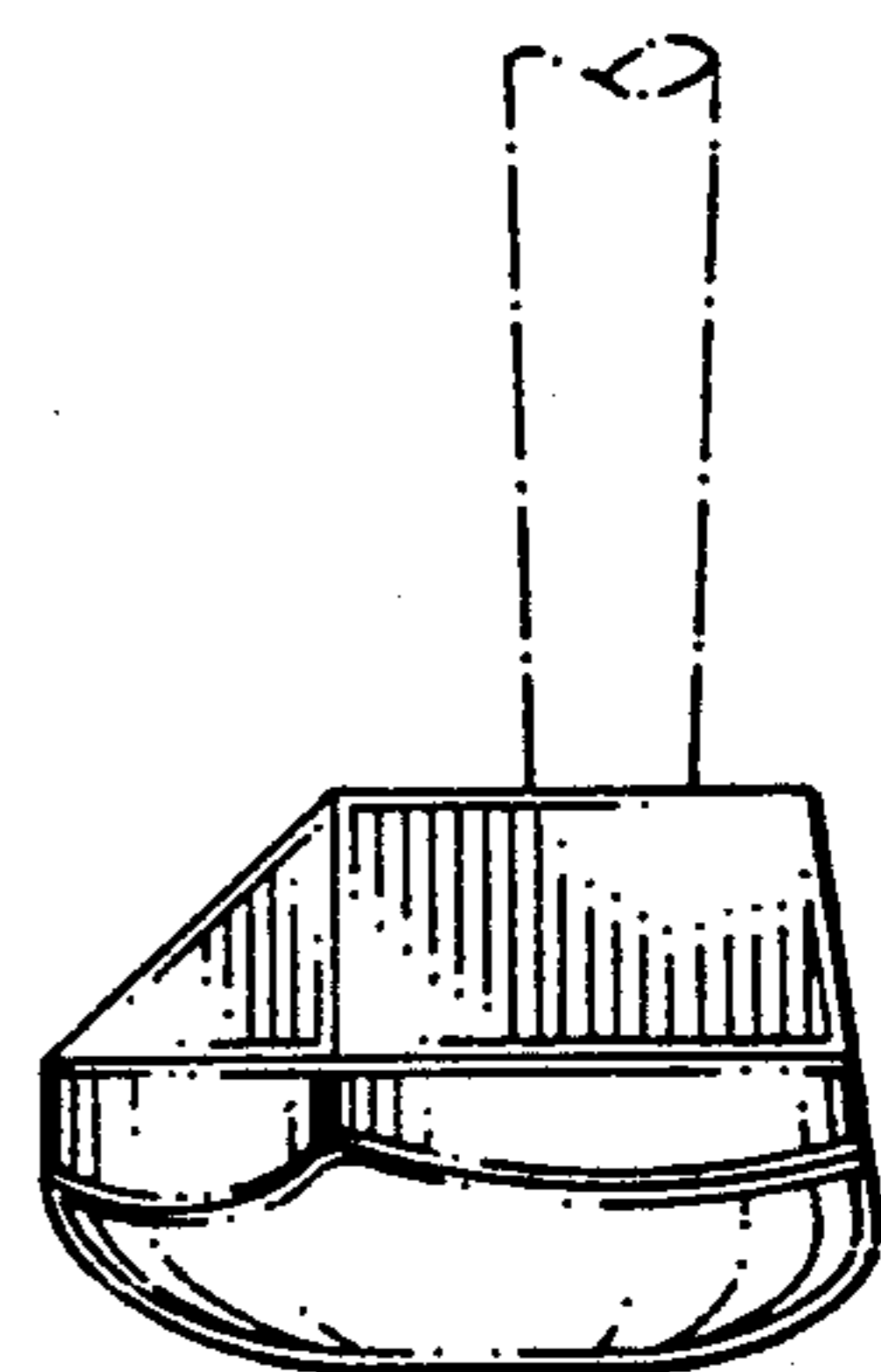


FIG. 6

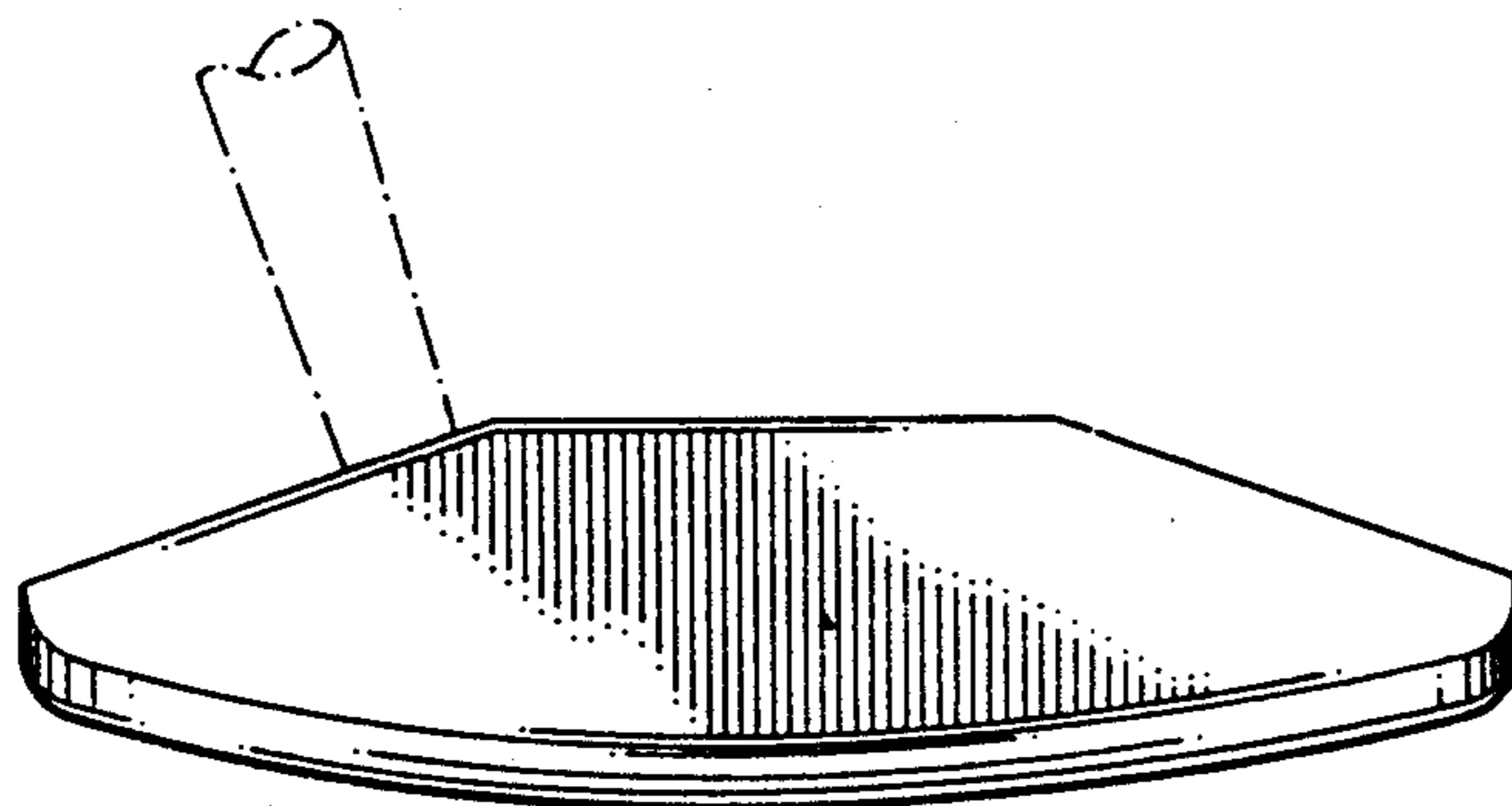


FIG. 4