



US00D335690S

United States Patent [19]

Shiraishi

[11] Patent Number: Des. 335,690

[45] Date of Patent: ** May 18, 1993

[54] TOY VEHICLE

[75] Inventor: Masami Shiraishi, Tokyo, Japan

[73] Assignee: Combi Corporation, Tokyo, Japan

[**] Term: 14 Years

[21] Appl. No.: 799,628

[22] Filed: Nov. 29, 1991

[30] Foreign Application Priority Data

Jun. 5, 1991 [JP] Japan 3-16293

[52] U.S. Cl. D21/128

[58] Field of Search D21/73, 76-80, D21/124, 128, 134, 136, 139, 141, 141.1, 142, 161, 168, 177, 250; D12/85, 92, 128, 129; D19/63; 446/7, 279, 281, 451, 465; 280/47.36, 642-644, 658

[56] References Cited

U.S. PATENT DOCUMENTS

- D. 203,685 2/1966 Crawford D21/161
- D. 206,600 1/1967 Elzaurdia D21/161
- D. 256,750 9/1980 Crawford D21/134

- D. 275,975 10/1984 Ciganko D21/161
- D. 291,938 9/1987 Kauffman D21/161
- 2,385,914 10/1945 Generale D21/161

OTHER PUBLICATIONS

International Playthings 1984 p. 12 EB 5118/2, EB 7108/2, EB 7102/2.

Primary Examiner—Bernard Ansher
Assistant Examiner—R. Barkai
Attorney, Agent, or Firm—Sughrue, Mion, Zinn, Macpeak & Seas

[57] CLAIM

The ornamental design for a toy vehicle, as shown.

DESCRIPTION

FIG. 1 is a front, top and right side perspective view of a toy vehicle showing my new design; FIG. 2 is a front elevational view thereof; FIG. 3 is a rear elevational view thereof; FIG. 4 is a left side elevational view thereof; FIG. 5 is a right side elevational view thereof; FIG. 6 is a top plan view thereof; and, FIG. 7 is a bottom plan view thereof.

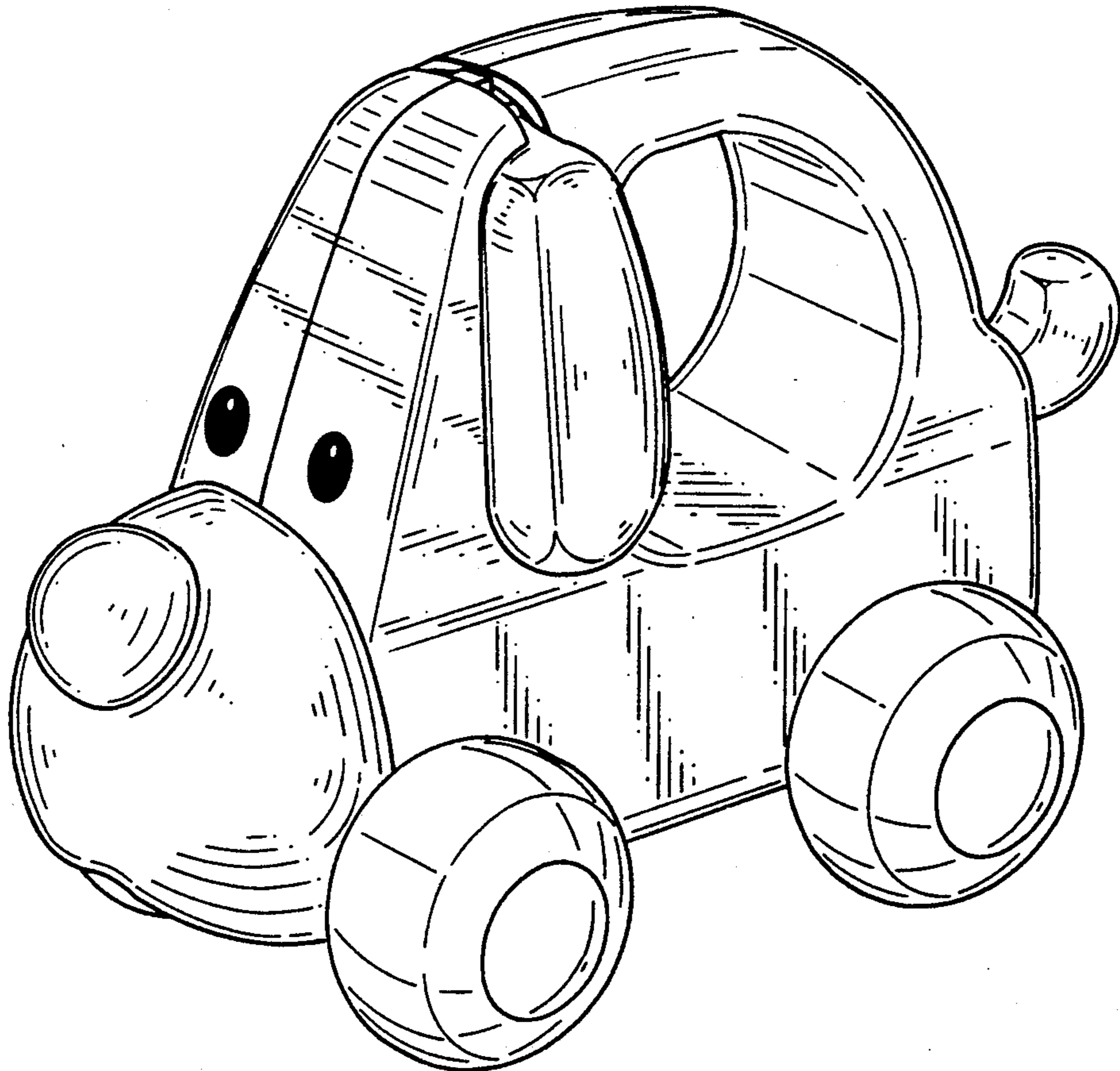


Fig. 1

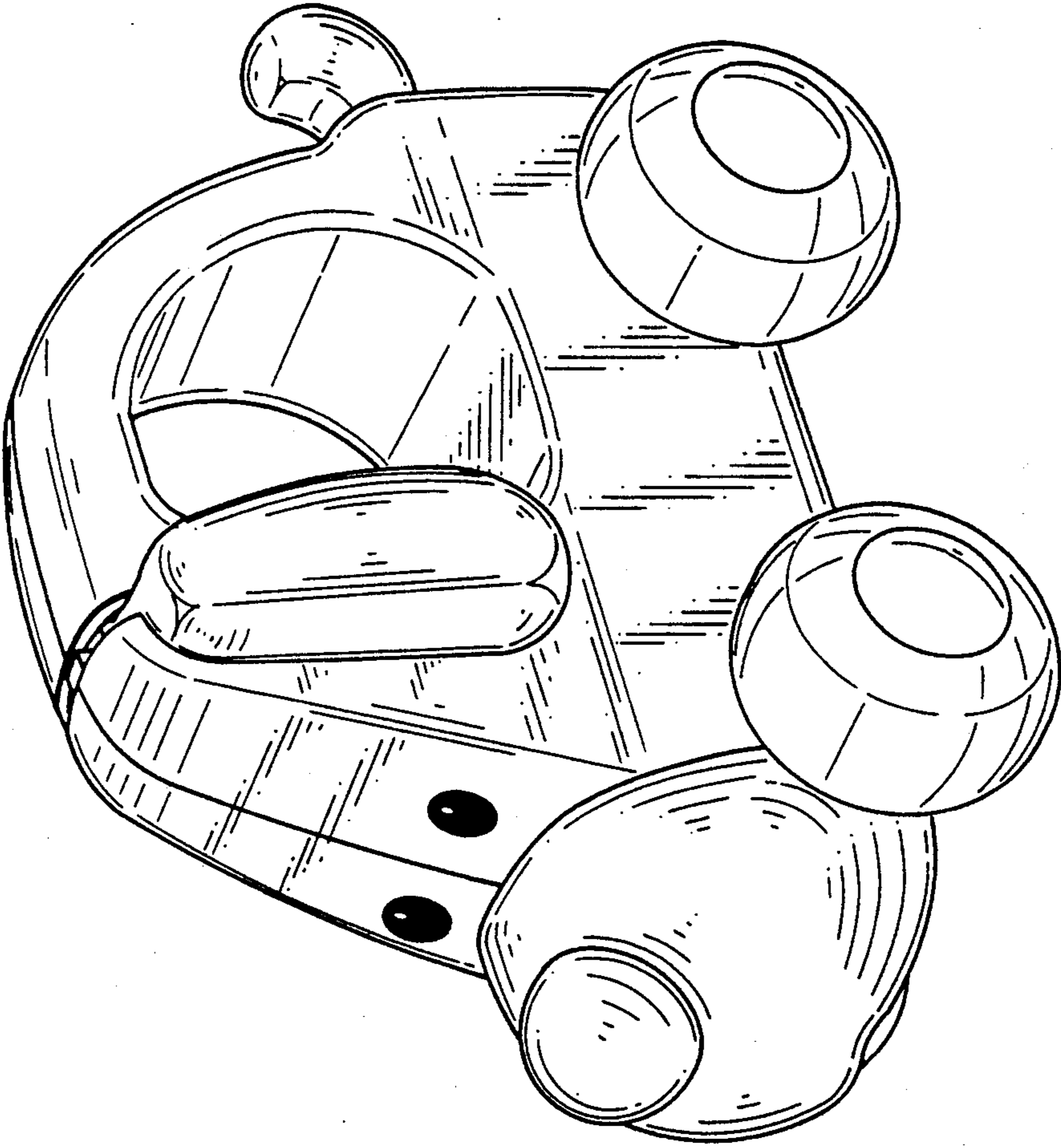


Fig. 3

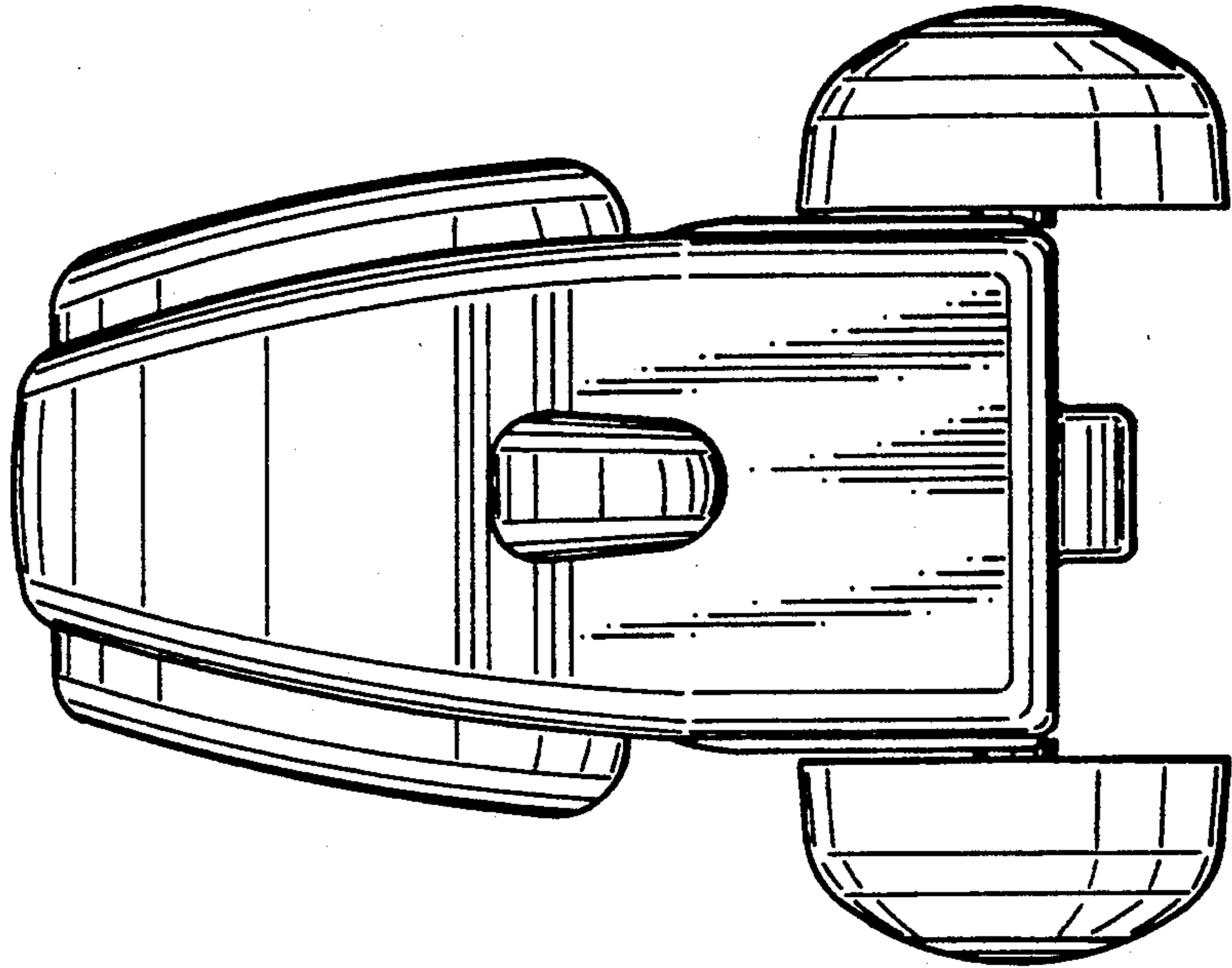


Fig. 2

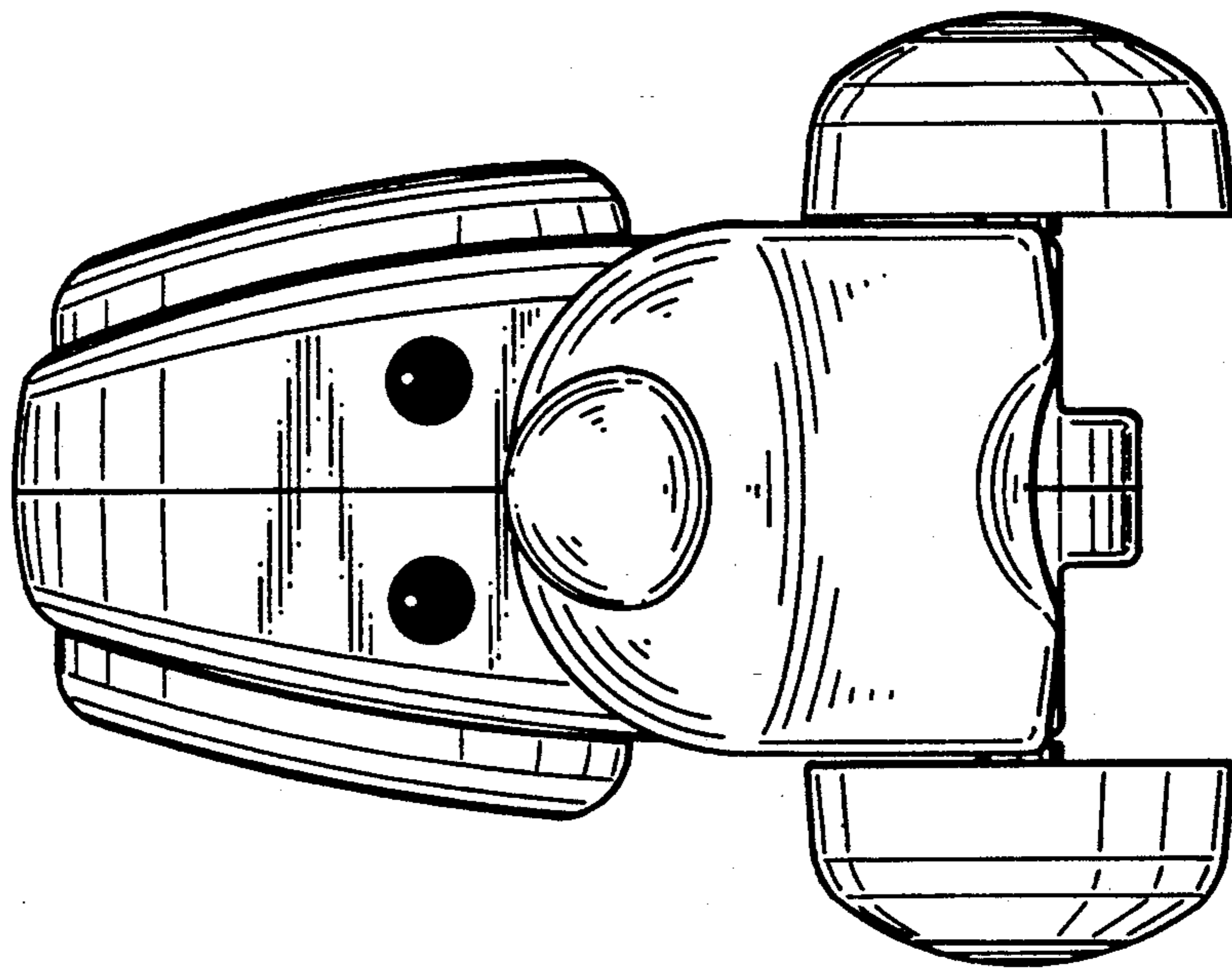


Fig. 4

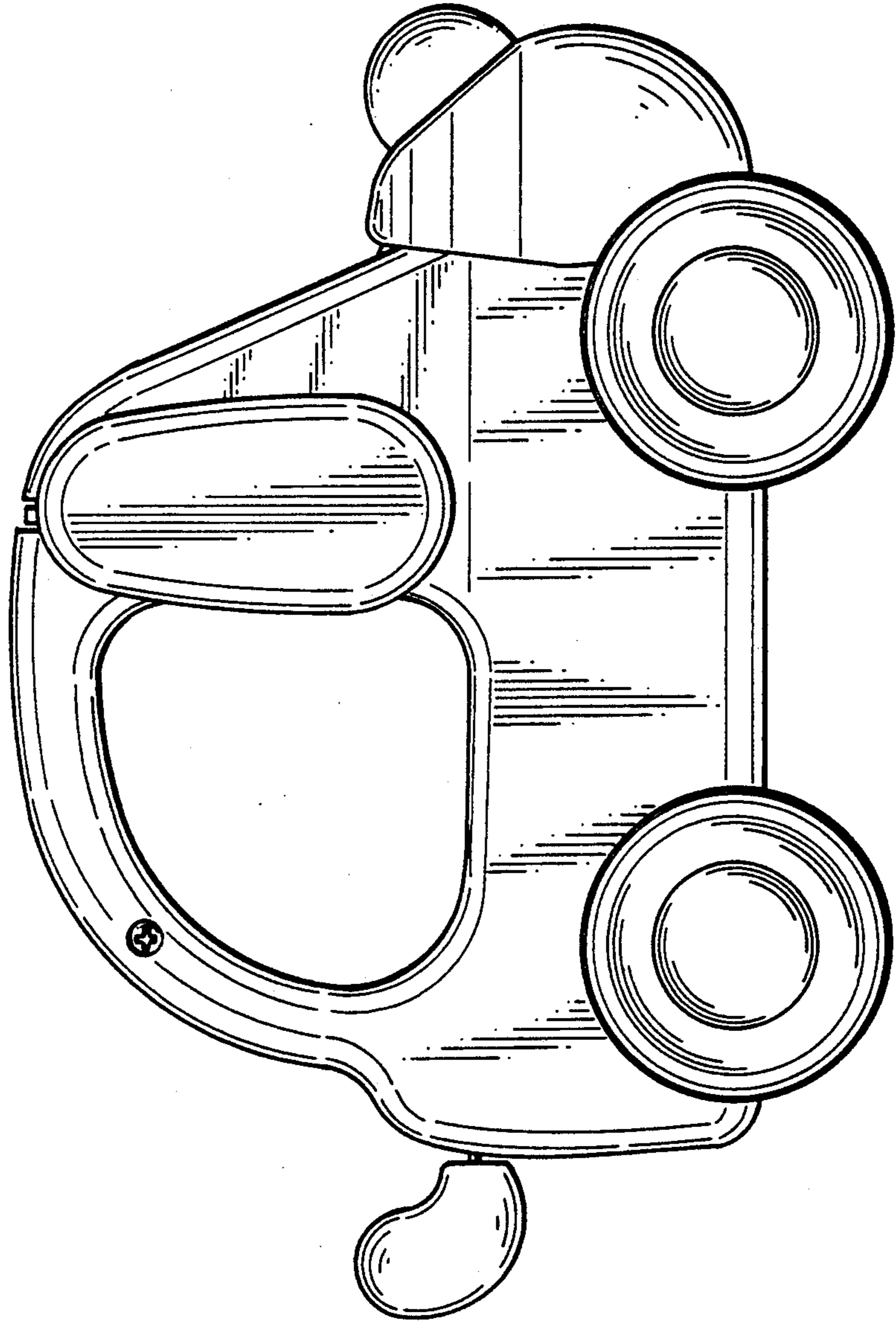


Fig. 5

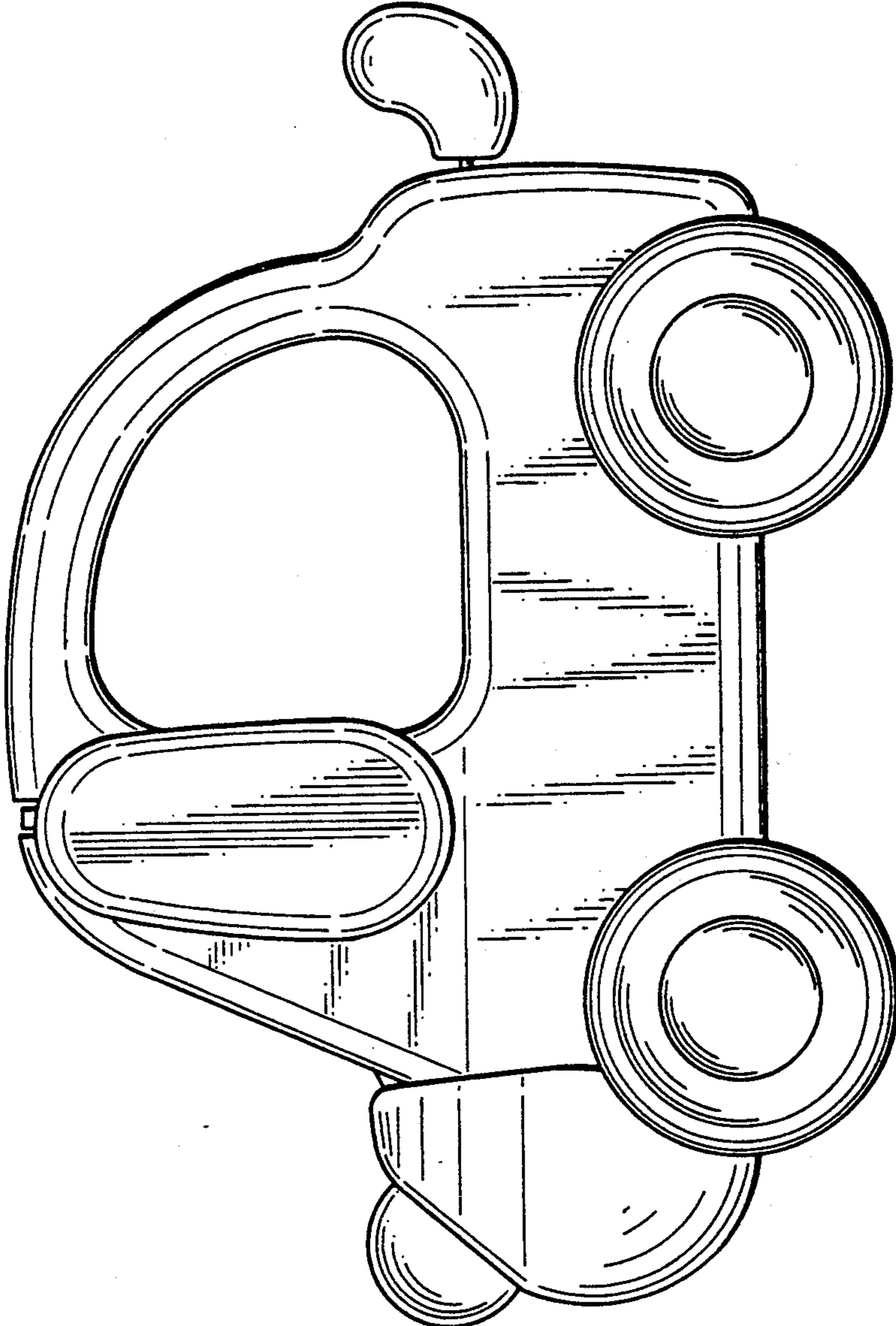


Fig. 6

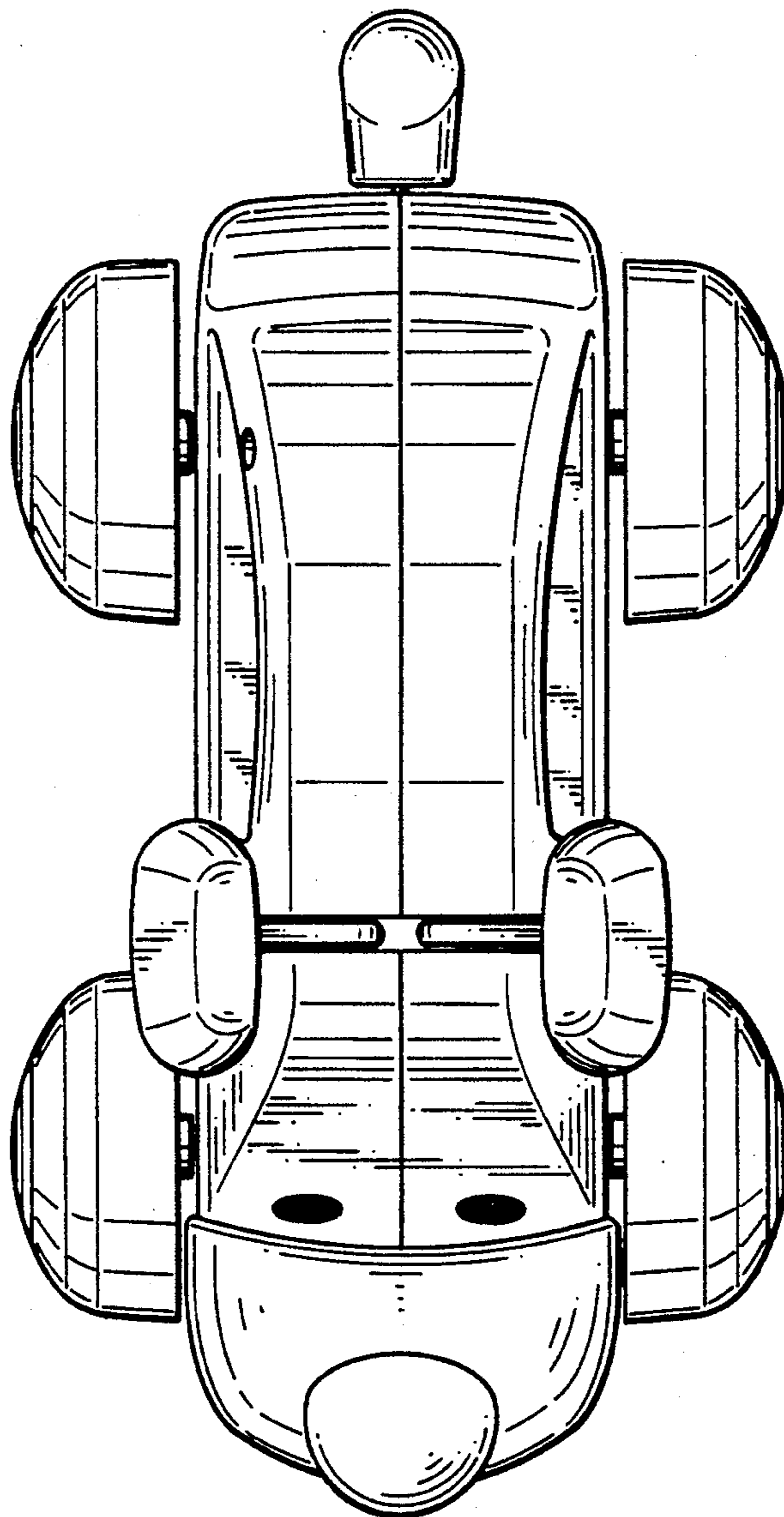


Fig. 7

