



US00D335686S

United States Patent [19] Christian

[11] Patent Number: **Des. 335,686**

[45] Date of Patent: **** May 18, 1993**

[54] PAPER CLIP

[76] Inventor: Tom Christian, 4914 Pacifica Dr.,
San Diego, Calif. 92109

[**] Term: 14 Years

[21] Appl. No.: 729,805

[22] Filed: Jul. 15, 1991

[52] U.S. Cl. D19/65; D19/34;
D20/28

[58] Field of Search D8/395; D19/34, 65,
D19/75, 78, 86, 90, 99, 100; D20/28; 24/67 R,
67.3, 67.5, 67.9, 67.11; 116/234, 236, 237, 238,
239

[56] References Cited

U.S. PATENT DOCUMENTS

D. 57,838	5/1921	Jacobs	D20/28
D. 92,405	6/1934	Klebanow	D20/28
D. 203,185	12/1965	Leopoldi	D19/65 X
D. 262,638	1/1982	Eichelberger	D20/28
D. 262,802	1/1982	Ylvisaker et al.	D19/65 X
D. 312,657	12/1990	Saffran	D19/34

OTHER PUBLICATIONS

Atlas Pen and Pencil Corp. ©1985, p. 24, see circled
bottom upper right.

Atlas Pen and Pencil Corp. ©1985, p. 97 see circled
clip, lower left.

House Beautiful Jun. 1970 p. 143 see circled bookmark
upper right.

House Beautiful Feb. 1965, p. 78 see circled bookmar-
k—lower right.

Primary Examiner—Nelson C. Holtje

Assistant Examiner—Martha Thompson

Attorney, Agent, or Firm—Ralph S. Branscomb

[57] CLAIM

The ornamental design for a paper clip, as shown and
described.

DESCRIPTION

FIG. 1 is a front elevational view of a paper clip show-
ing my new design;

FIG. 2 is an side elevational view, all other sides being
identical;

FIG. 3 is a front elevational view of a second embodi-
ment of my new design, the rear view being a mirror
image thereof; and,

FIG. 4 is a rear elevational view of FIG. 1 drawn to a
reduced scale.

The fragmentary sheets of paper depicted by means of
broken lines in FIG. 1 are shown for illustrative pur-
poses only and form no part of the claimed design.

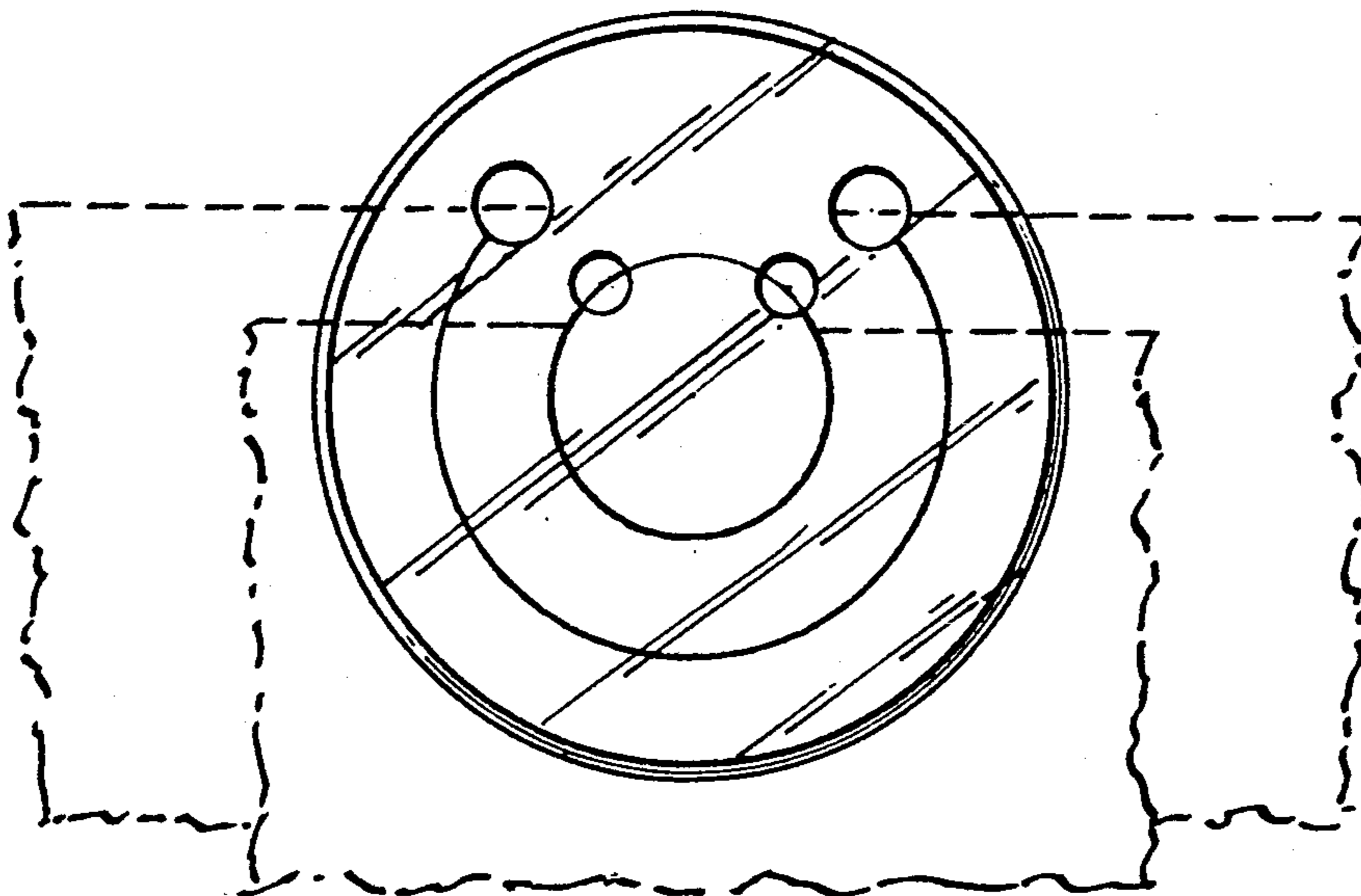


Fig. 2

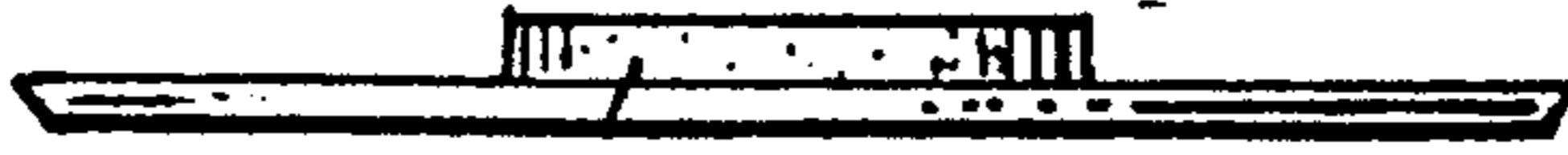


Fig. 1

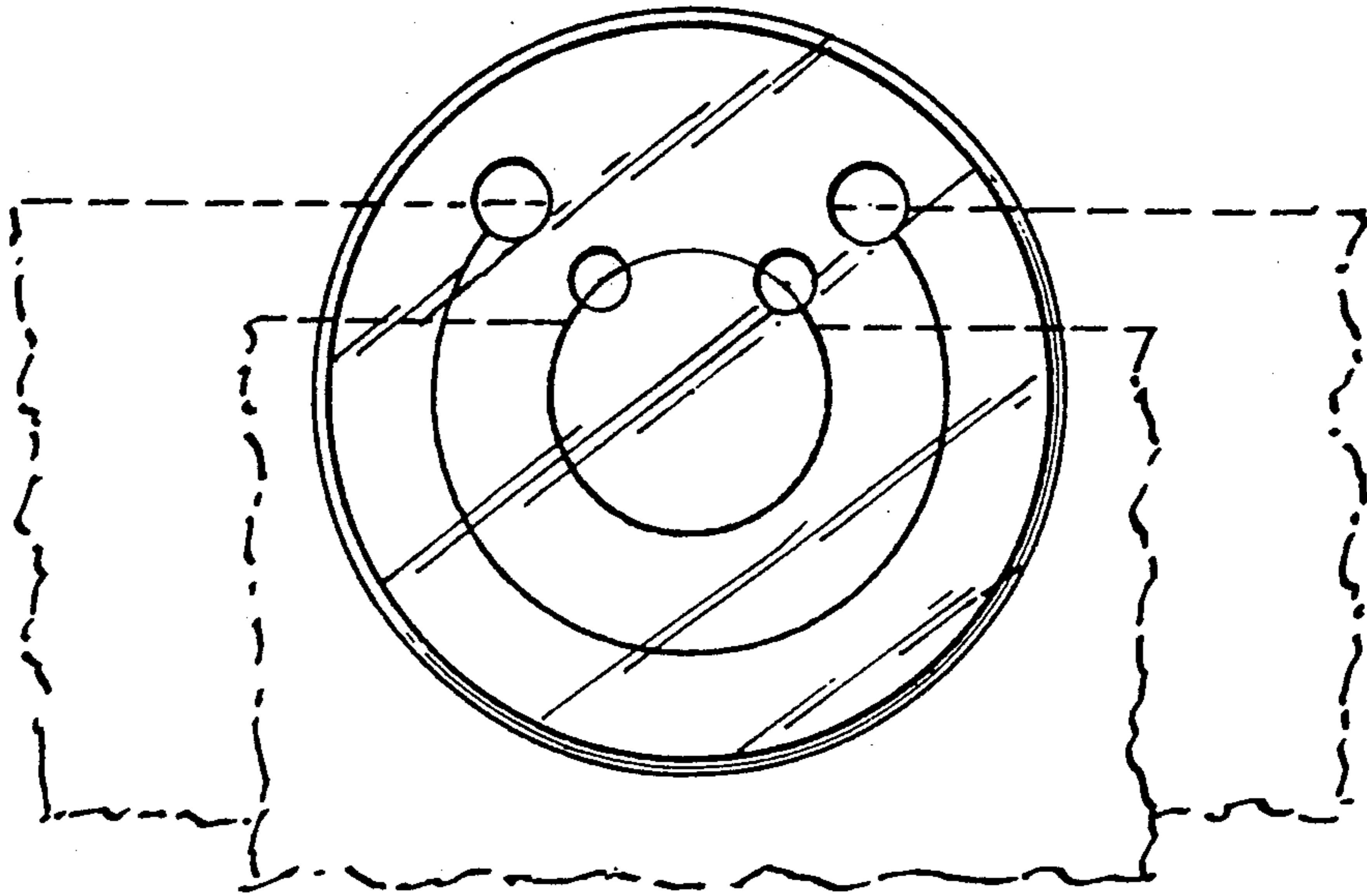


Fig. 3

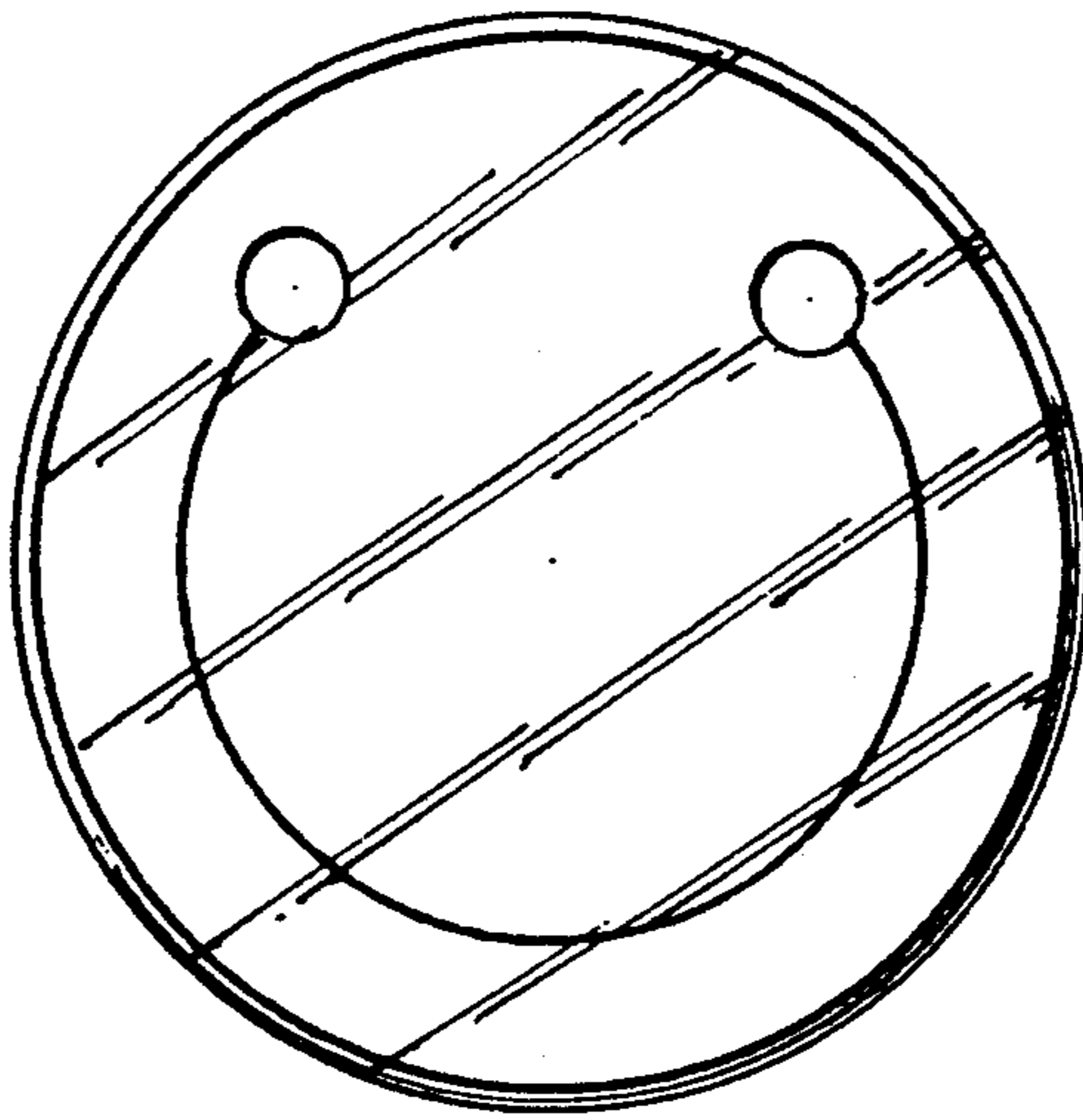


Fig. 4

