



US00D335681S

# United States Patent [19]

[11] Patent Number: **Des. 335,681**

Betts et al.

[45] Date of Patent: **\*\* May 18, 1993**

## [54] COMPACT FOLDING PHOTOGRAPHIC CAMERA

[75] Inventors: **John H. Betts, New York, N.Y.;**  
**Donald H. Hendry, Rockland, Mass.;**  
**Bruce K. Johnson, Andover, Mass.;**  
**Joanne M. Krawczyk, Dracut, Mass.;**  
**George D. Whiteside, Lexington, Mass.**

[73] Assignee: **Polaroid Corporation, Cambridge, Mass.**

[\*\*] Term: **14 Years**

[21] Appl. No.: **738,950**

[22] Filed: **Aug. 1, 1991**

[52] U.S. Cl. .... **D16/211; D16/209**

[58] Field of Search ..... **D16/200-204,**  
**D16/208, 211, 213, 216, 217, 218**

### [56] References Cited

#### U.S. PATENT DOCUMENTS

D. 279,574	7/1985	Conner et al. ....	D16/211
D. 295,183	4/1988	Johnson et al. ....	D16/209
D. 315,569	3/1991	Betts et al. ....	D16/211
D. 321,358	11/1991	Betts .....	D16/211
4,081,808	3/1978	Pizzuti .....	354/193
4,389,110	6/1983	Pizzuti .....	354/126
4,452,519	6/1984	Fraser et al. ....	354/126
4,557,574	12/1985	Kohno et al. ....	354/288

## OTHER PUBLICATIONS

Popular Photography, 1988 p. 28 (Polaroid Impulse AF Camera).

*Primary Examiner*—Bernard Ansher  
*Assistant Examiner*—Adir Aronovich  
*Attorney, Agent, or Firm*—John J. Kelleher

## [57] CLAIM

The ornamental design for a compact folding photographic camera, as shown and described.

## DESCRIPTION

FIG. 1 is a right front perspective view of a compact folding photographic camera showing our new design in its folded position;

FIG. 2 is a folded front elevational view thereof;

FIG. 3 is a folded rear elevational view thereof;

FIG. 4 is a folded top plan view thereof;

FIG. 5 is a folded bottom plan view thereof;

FIG. 6 is a folded right side elevational view thereof;

FIG. 7 is a folded left side elevational view thereof;

FIG. 8 is a right front perspective view thereof showing our new design in its erected position.

FIG. 9 is an erected front elevational view thereof;

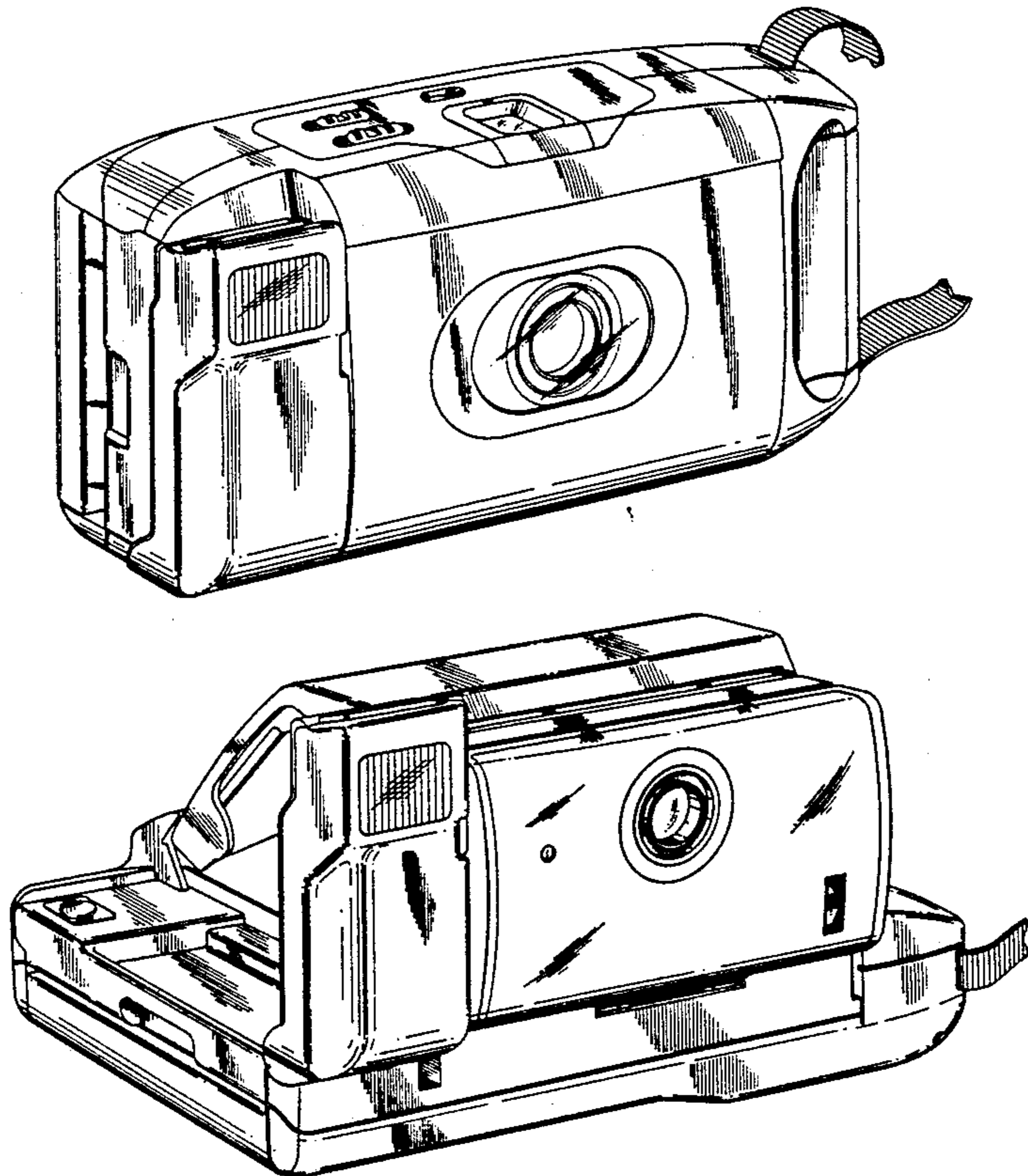
FIG. 10 is an erected rear elevational view thereof;

FIG. 11 is an erected right side elevational view thereof;

FIG. 12 is an erected left side elevational view thereof;

FIG. 13 is an erected top plan view thereof; and,

FIG. 14 is an erected bottom plan view thereof.



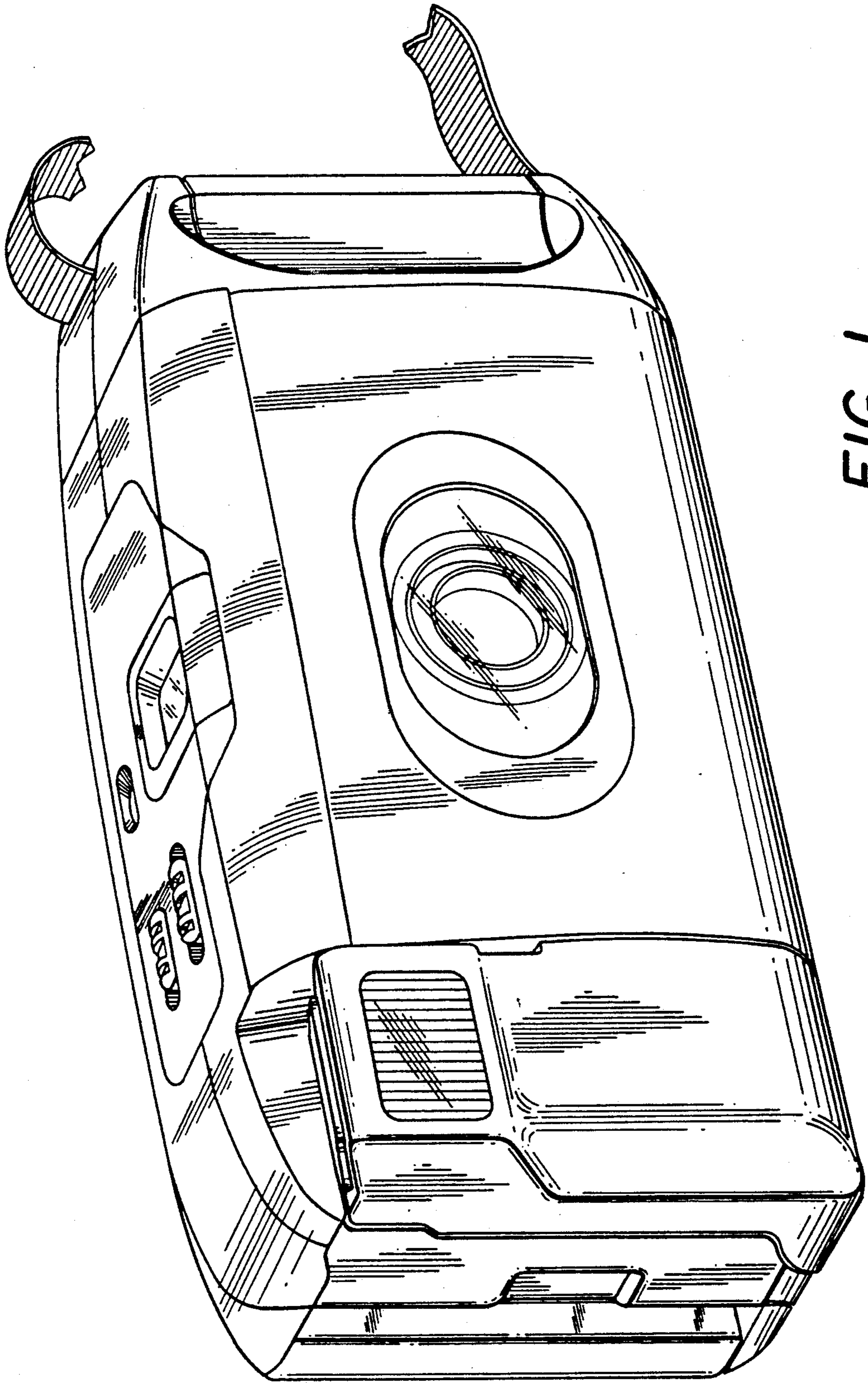


FIG. 1



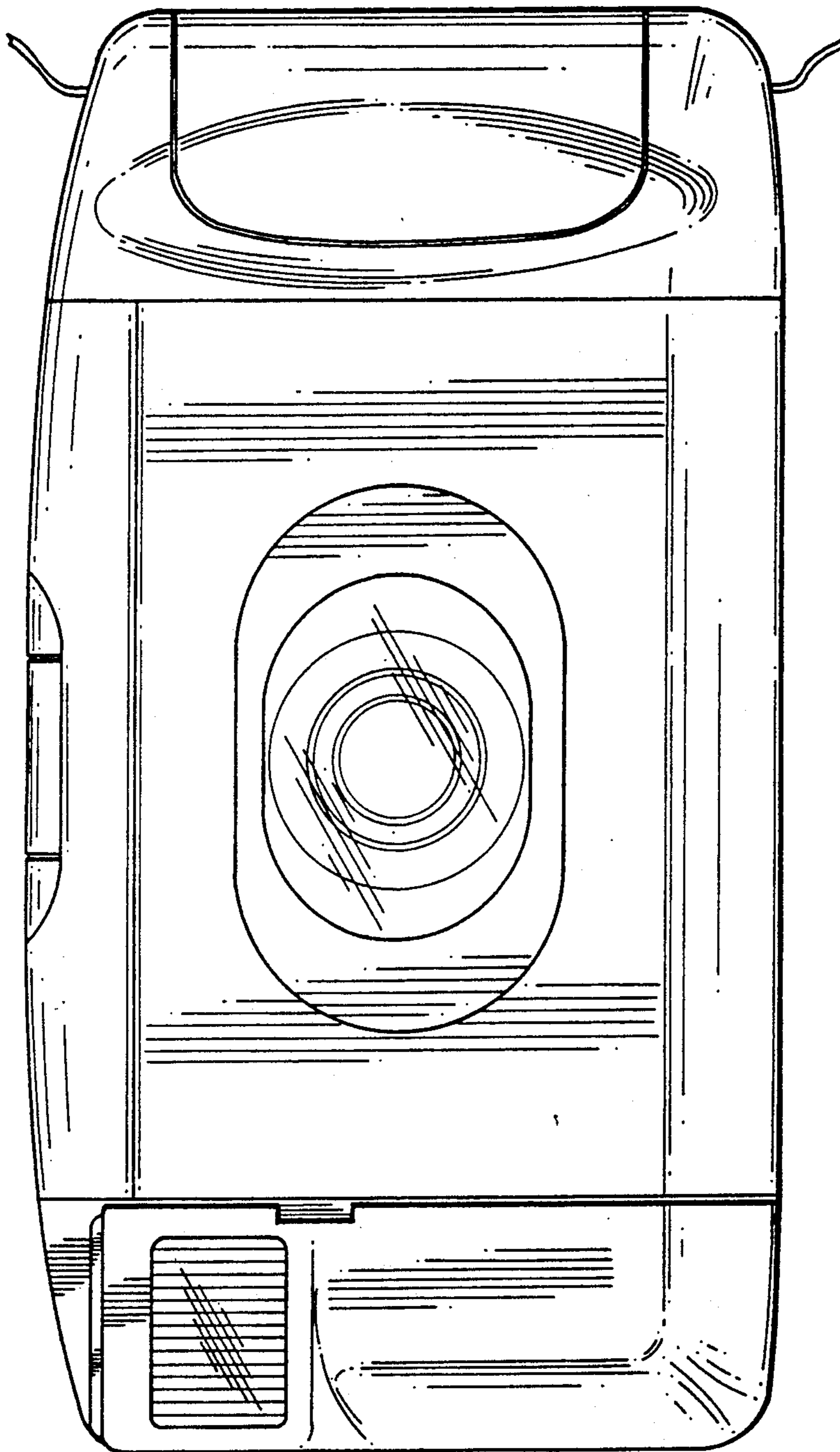


FIG. 2

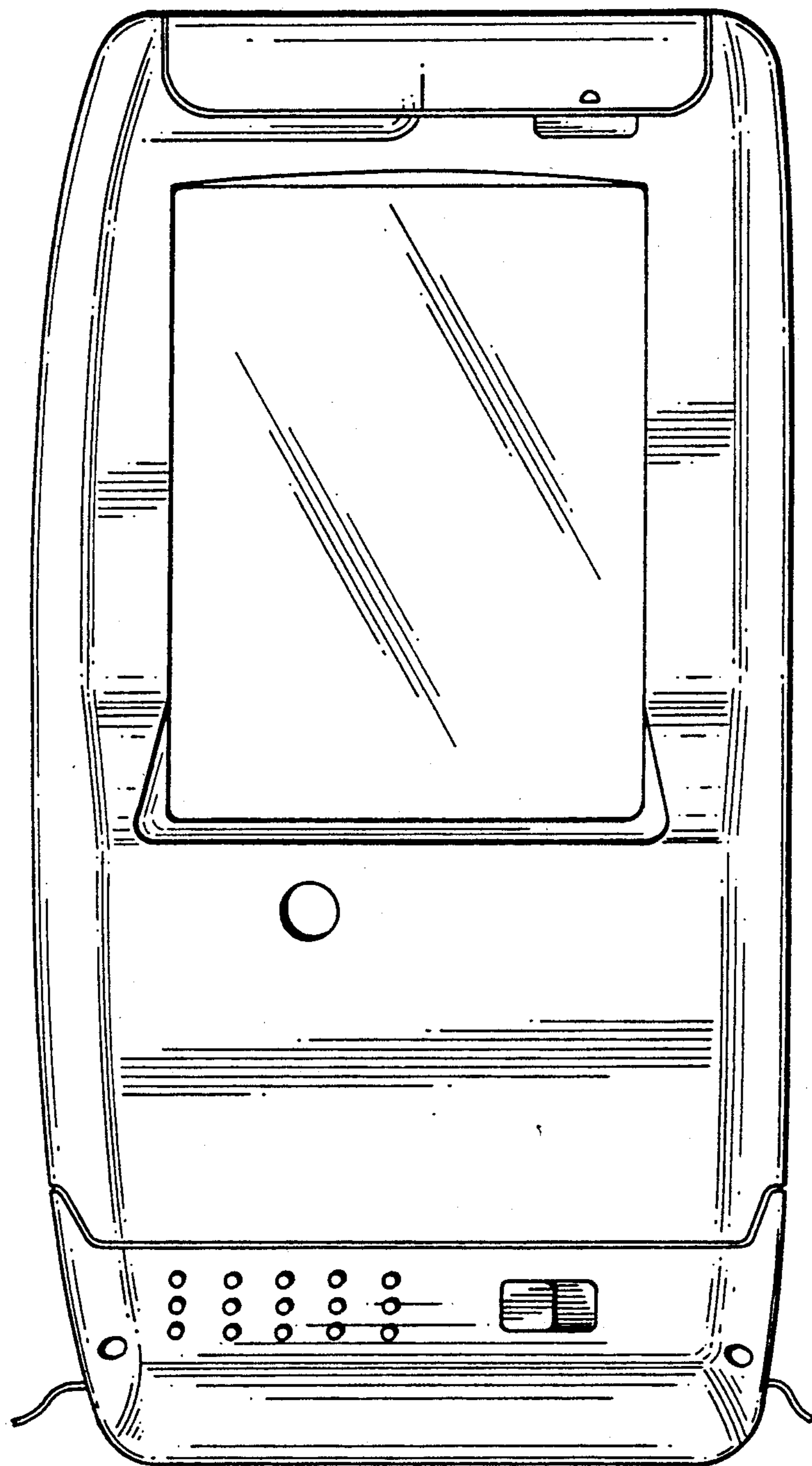


FIG. 3

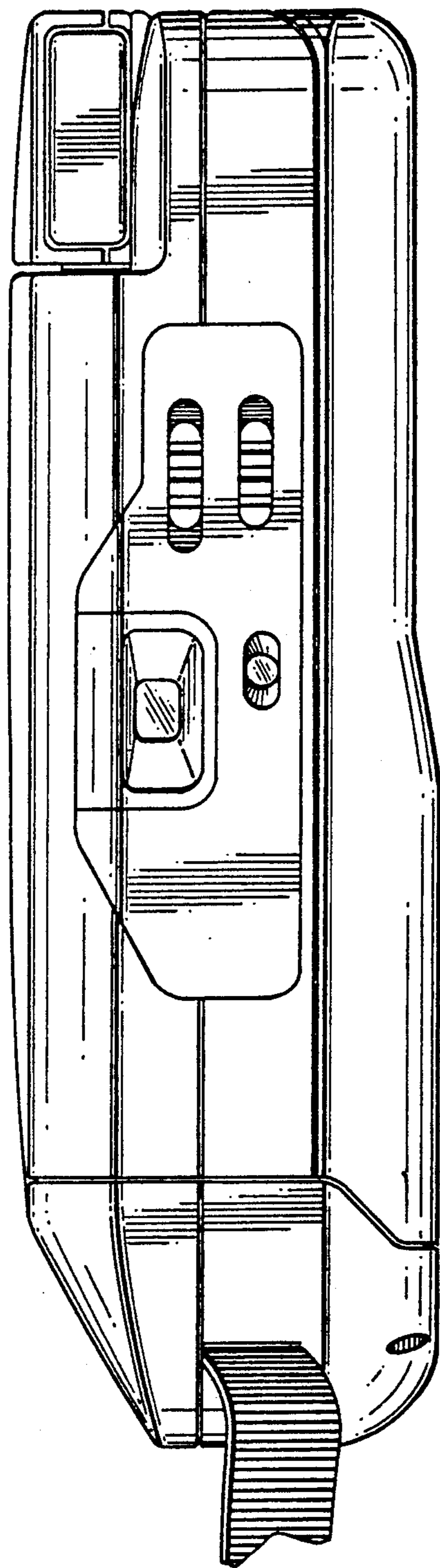


FIG. 4

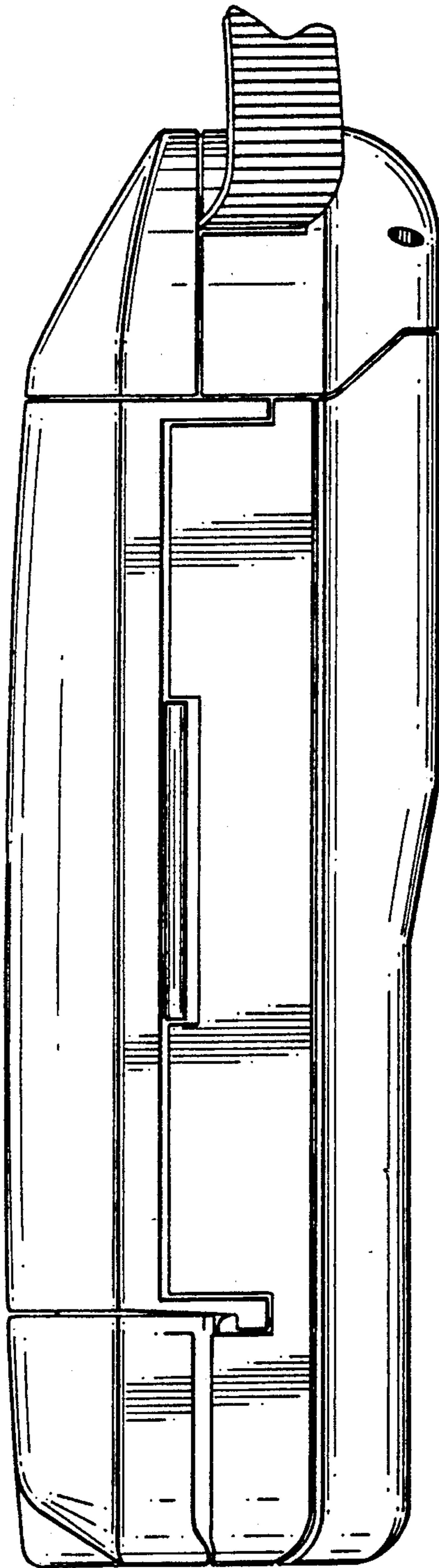
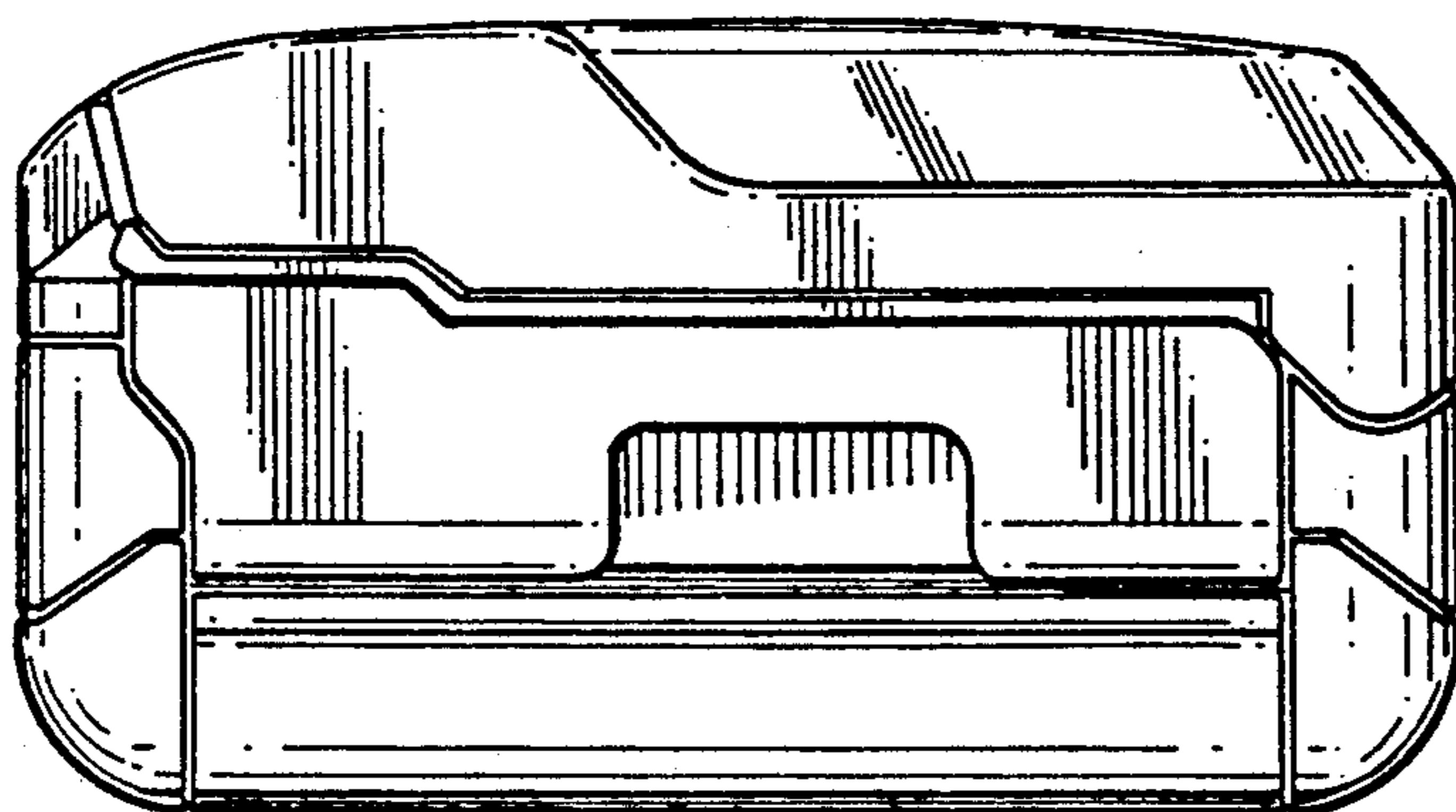
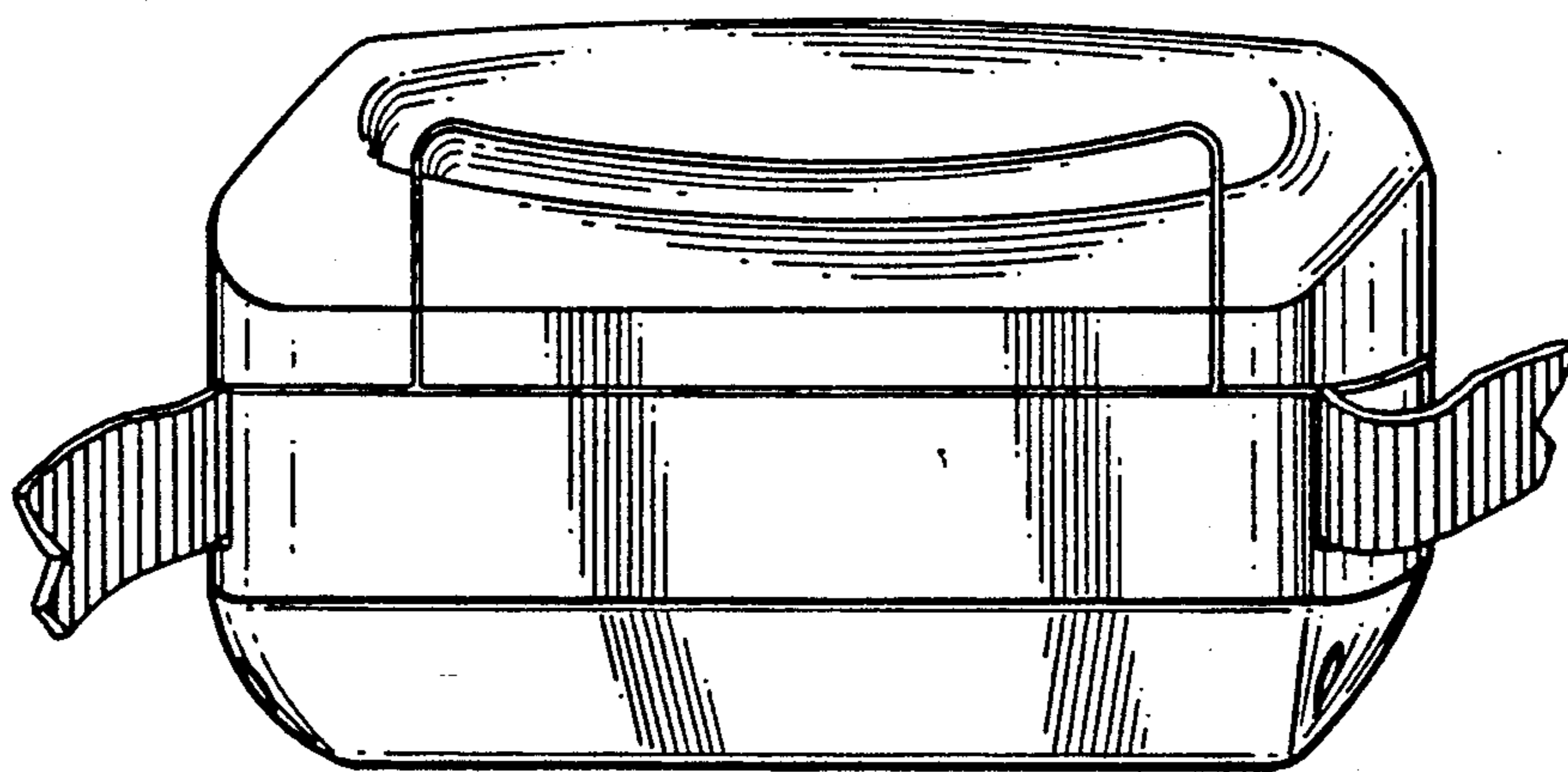


FIG. 5



*FIG. 6*



*FIG. 7*



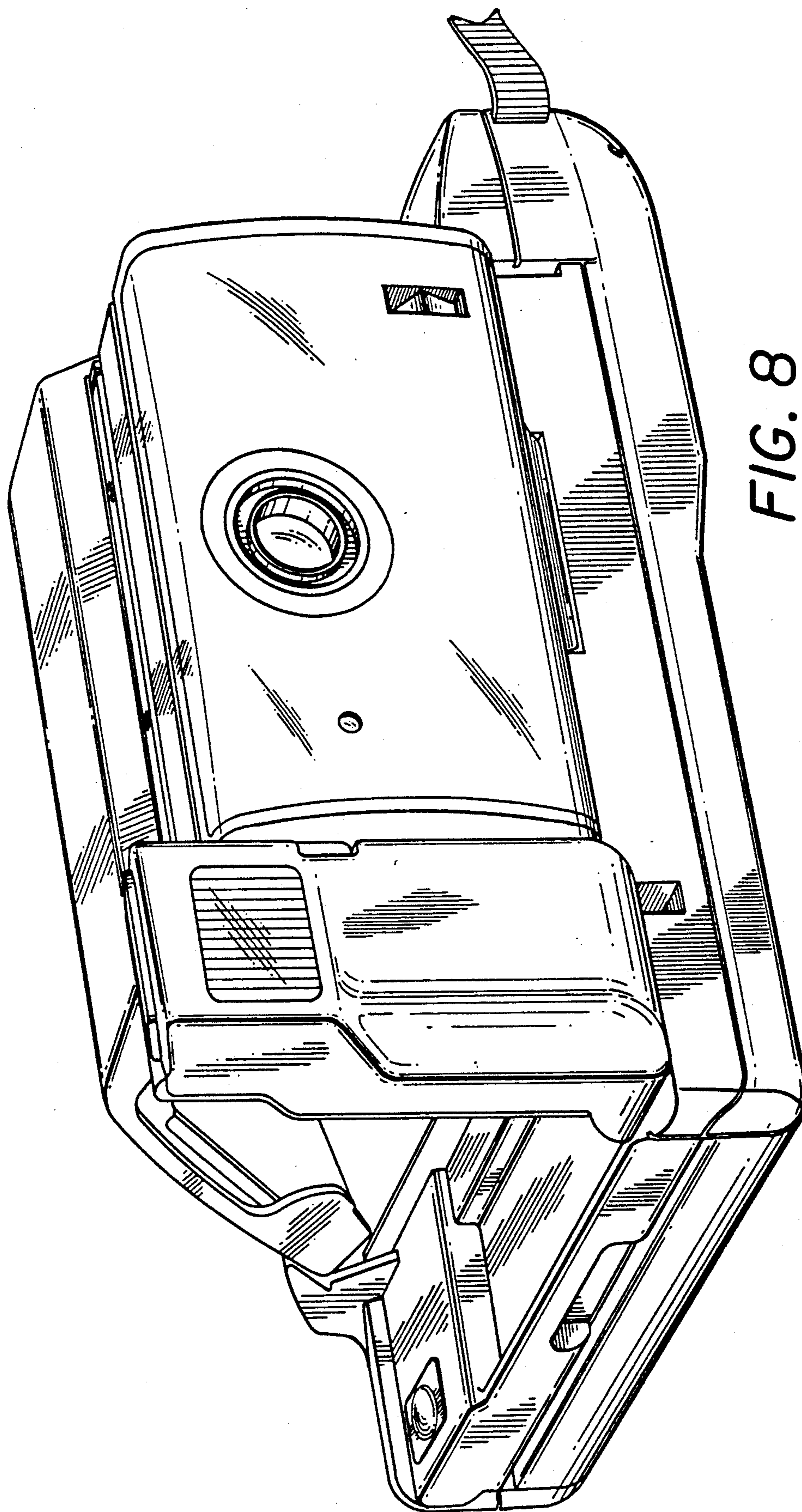


FIG. 8



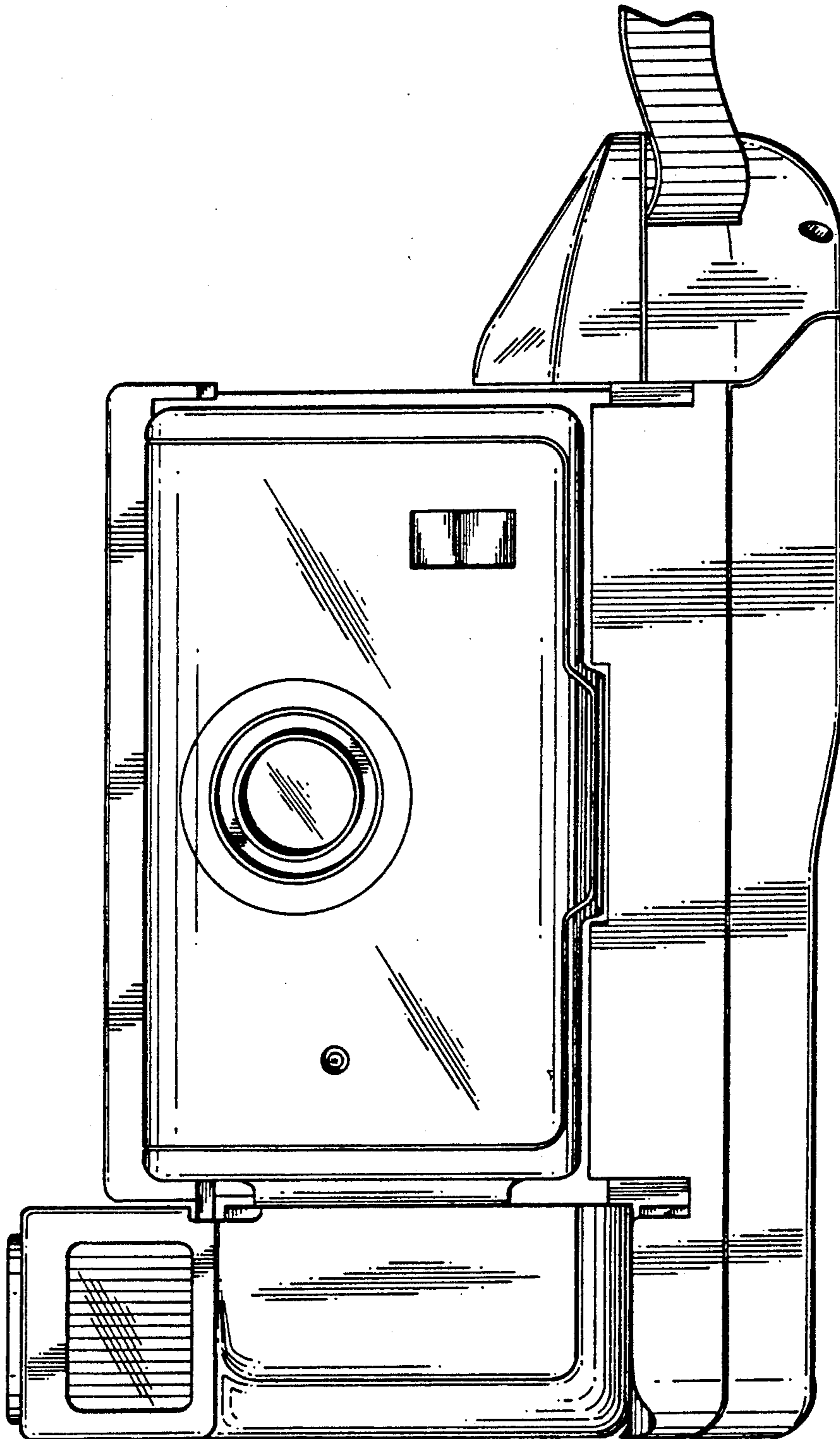


FIG. 9

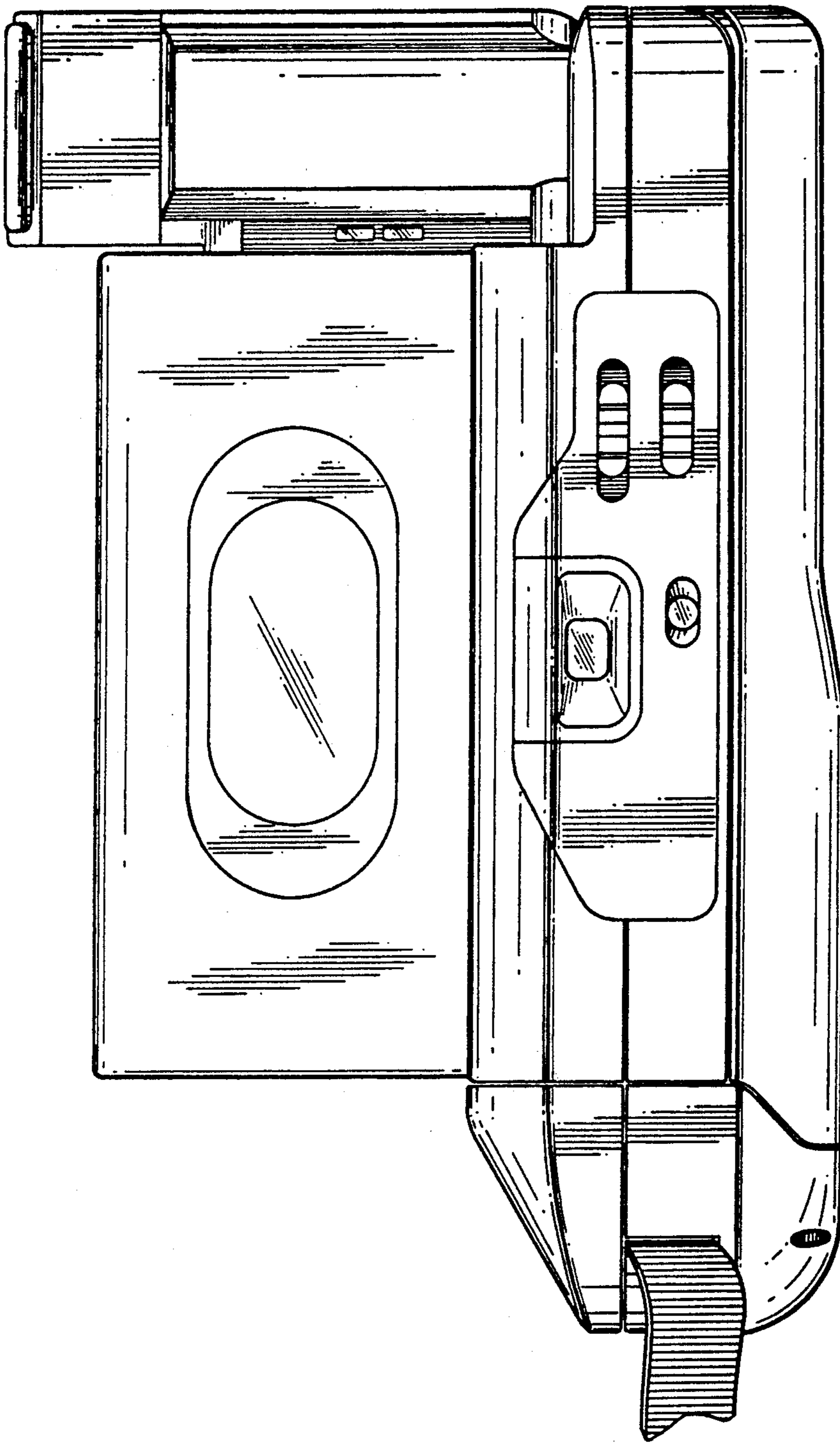
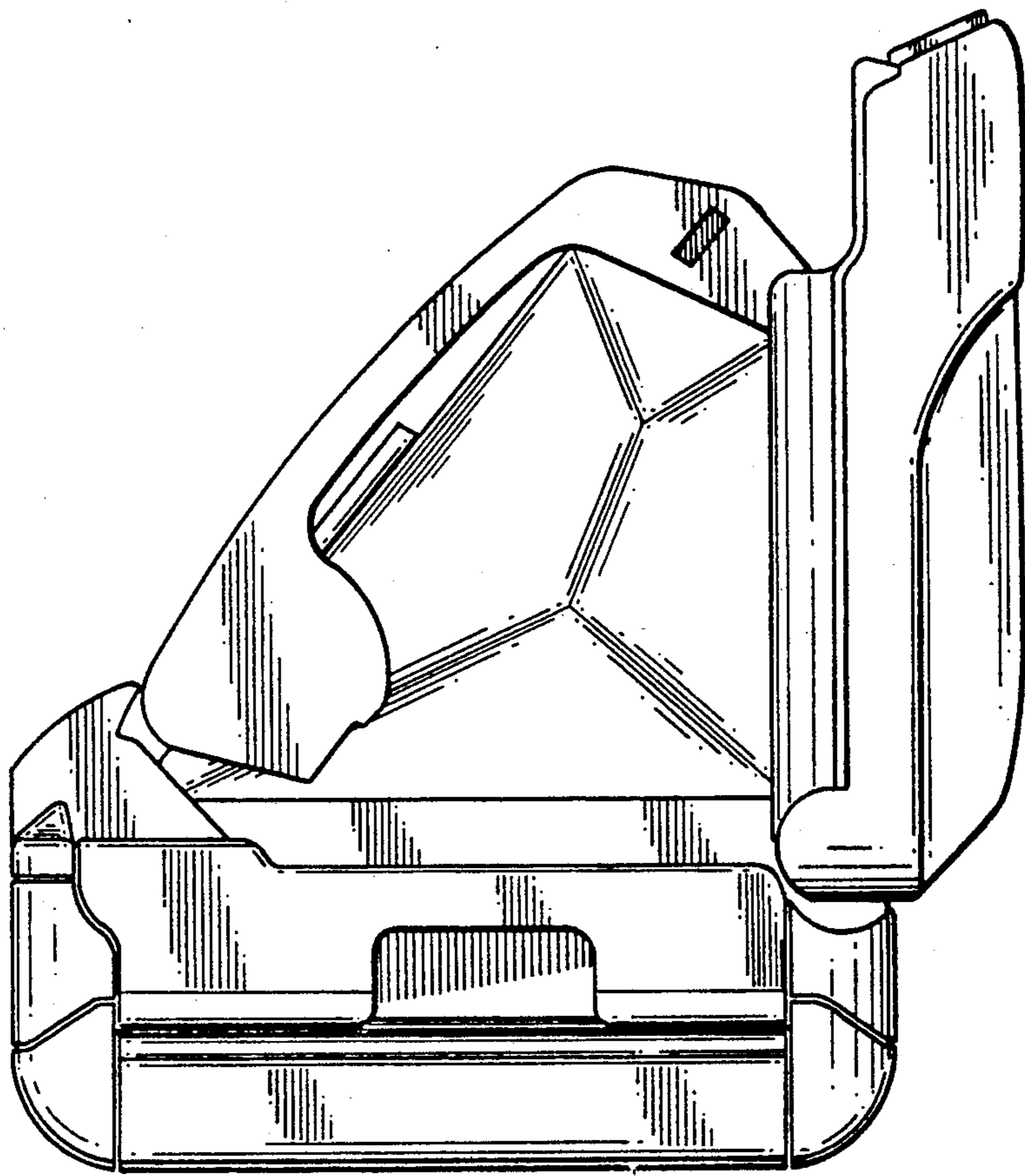
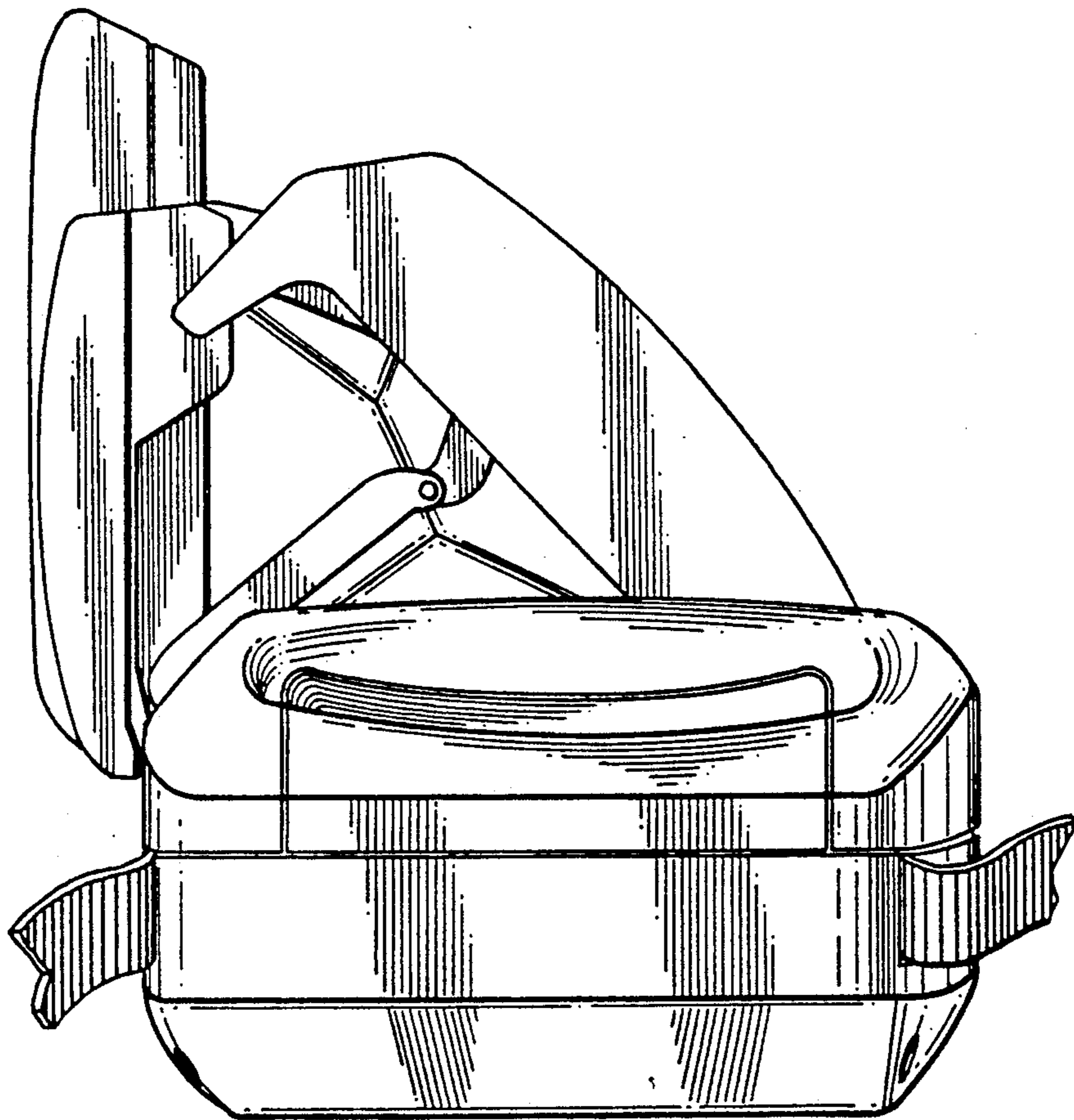


FIG. 10



*FIG. 11*



*FIG. 12*



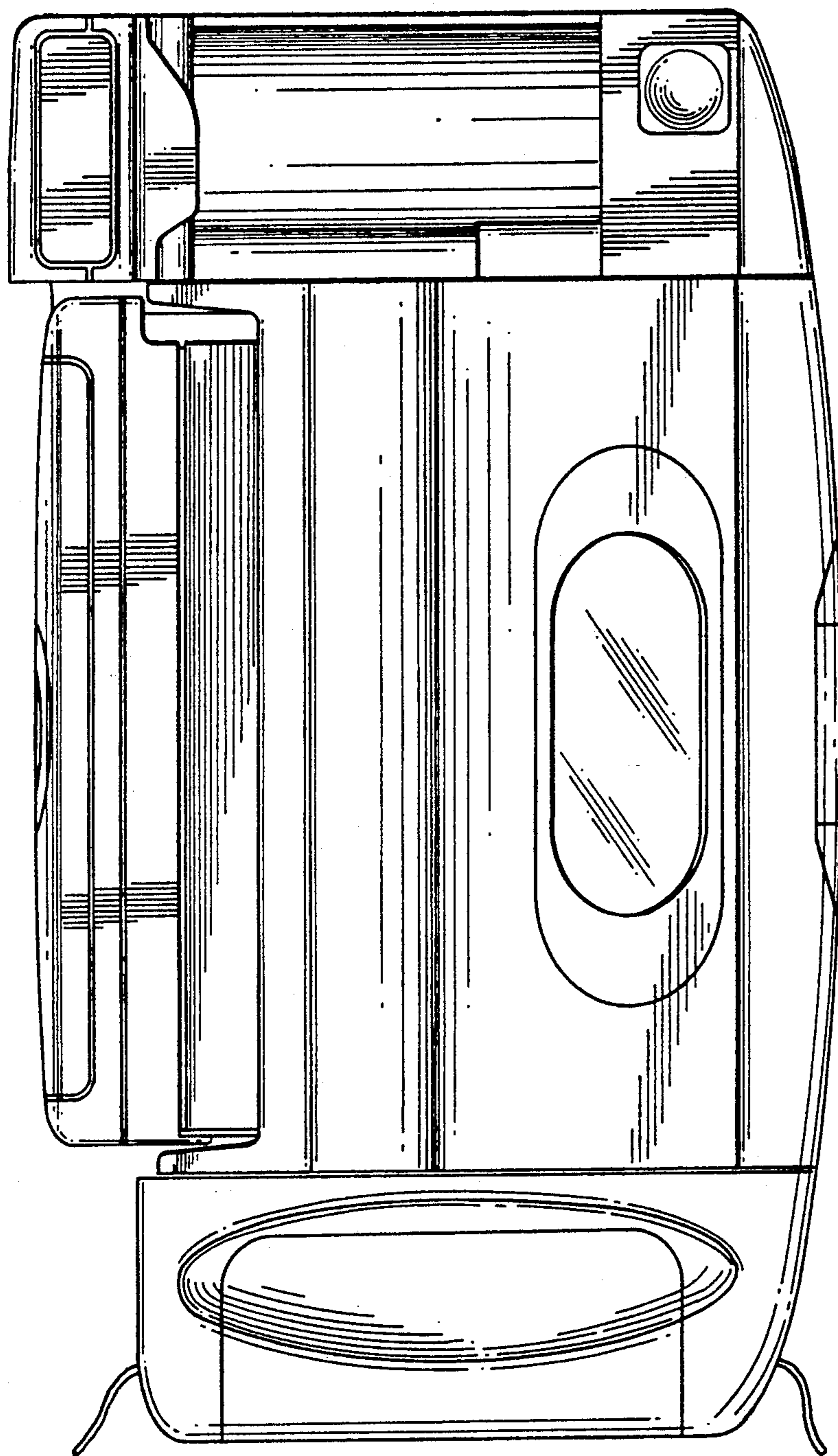


FIG. 13

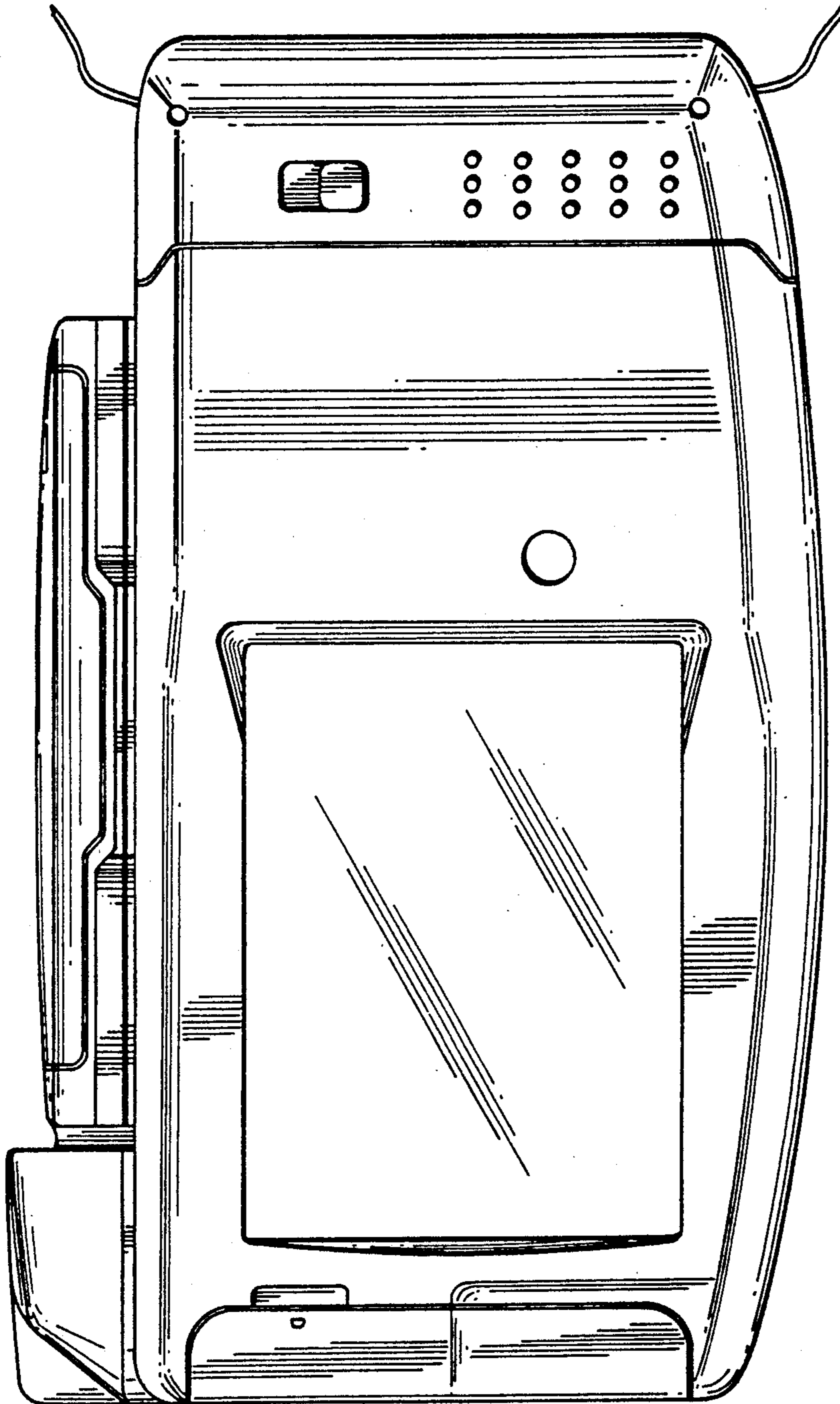


FIG. 14