



US00D335676S

United States Patent [19]

Szybura

[11] Patent Number: **Des. 335,676**

[45] Date of Patent: **** May 18, 1993**

[54] **ADJUSTABLE HOLDER FOR A GAS TORCH**

[76] Inventor: **William S. Szybura, P.O. Box 563, Orting, Wash. 98360**

[**] Term: **14 Years**

[21] Appl. No.: **823,561**

[22] Filed: **Jan. 22, 1992**

[52] U.S. Cl. **D15/144; D6/466; D7/621; D8/71**

[58] Field of Search **D15/139, 140, 144, 147, D15/144.1, 144.2, 199; D8/71; D7/620, 621; D19/85; D11/182; 211/71, 13; 248/313**

[56] **References Cited**

U.S. PATENT DOCUMENTS

- D. 199,773 12/1964 Mueller D7/621
- D. 202,578 10/1965 Bednarski D15/147 X
- D. 203,055 11/1965 Robinson D7/621 X
- D. 290,099 6/1987 Andersson D11/182 X
- D. 294,362 2/1988 Sinclair D15/144
- D. 299,150 12/1988 Birch D19/85

- 2,926,879 3/1960 Dietrich D7/621 X
- 3,603,550 9/1971 Byrd 211/71 X
- 4,023,761 5/1977 Molis 211/71 X
- 5,025,935 6/1991 Hadachek 211/13 X
- 5,100,007 3/1992 Espasandin et al. 248/313 X

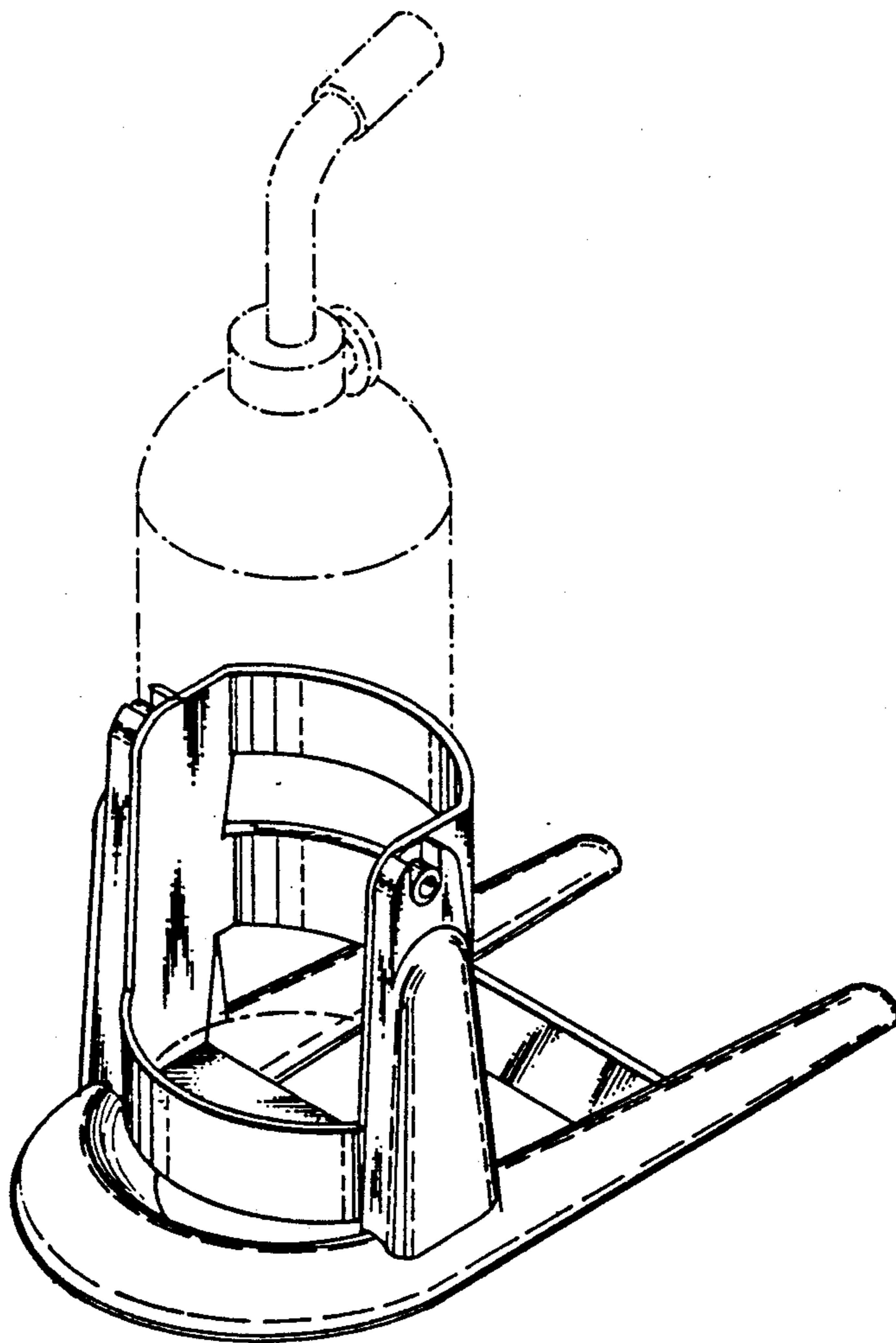
Primary Examiner—Alan P. Douglas
Assistant Examiner—Jeffrey Asch
Attorney, Agent, or Firm—Roy E. Mattern, Jr.

[57] **CLAIM**

The ornamental design for an adjustable holder for a gas torch, as shown and described.

DESCRIPTION

FIG. 1 is a perspective view of an adjustable holder for a gas torch showing my new design, the broken line showing of a gas torch being for illustrative purposes; FIG. 2 is a left side view thereof, with a right side view being a mirror image thereof; FIG. 3 is a back view thereof; FIG. 4 is a front view thereof; FIG. 5 is a top view thereof; and, FIG. 6 is a bottom view thereof.



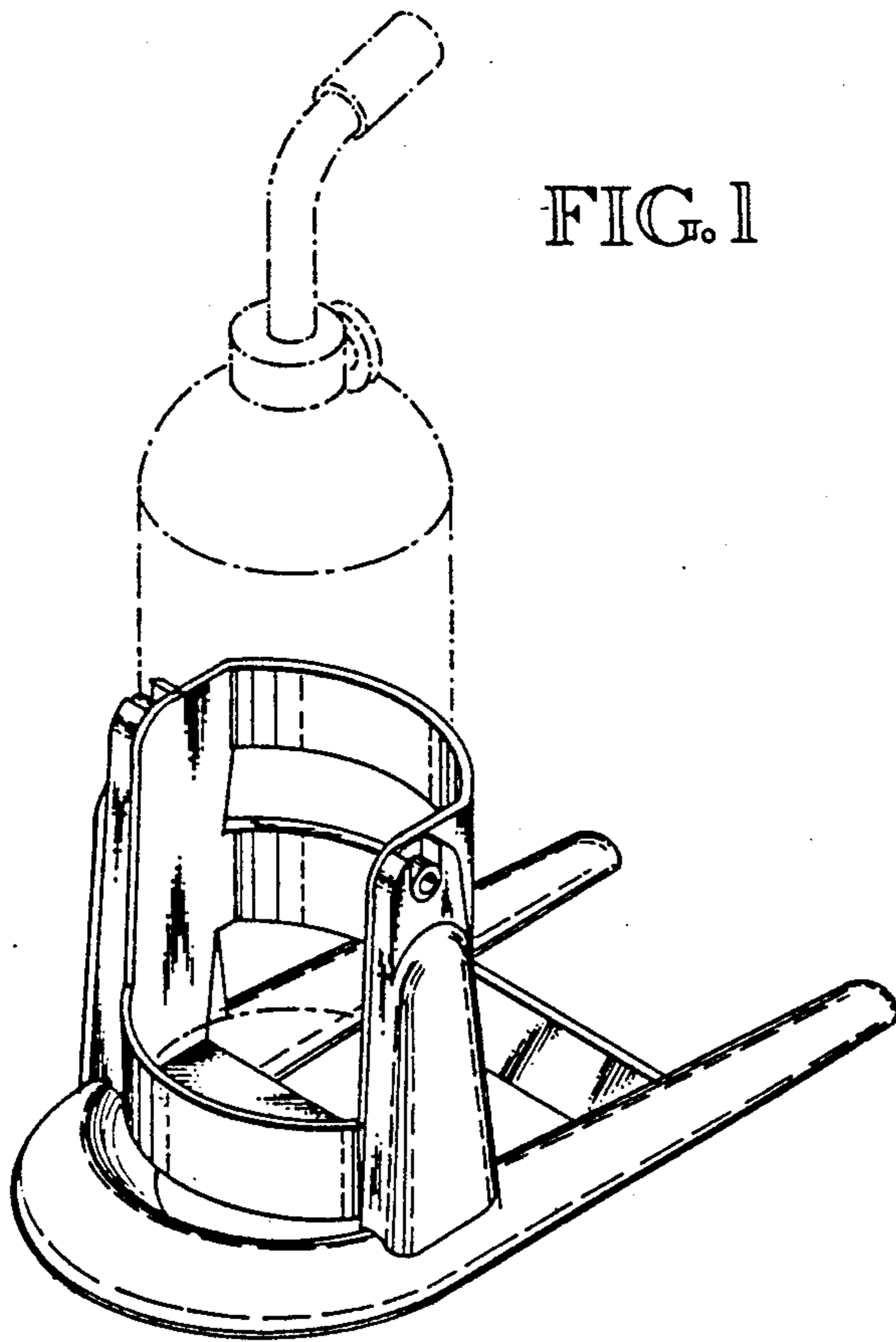


FIG. 1

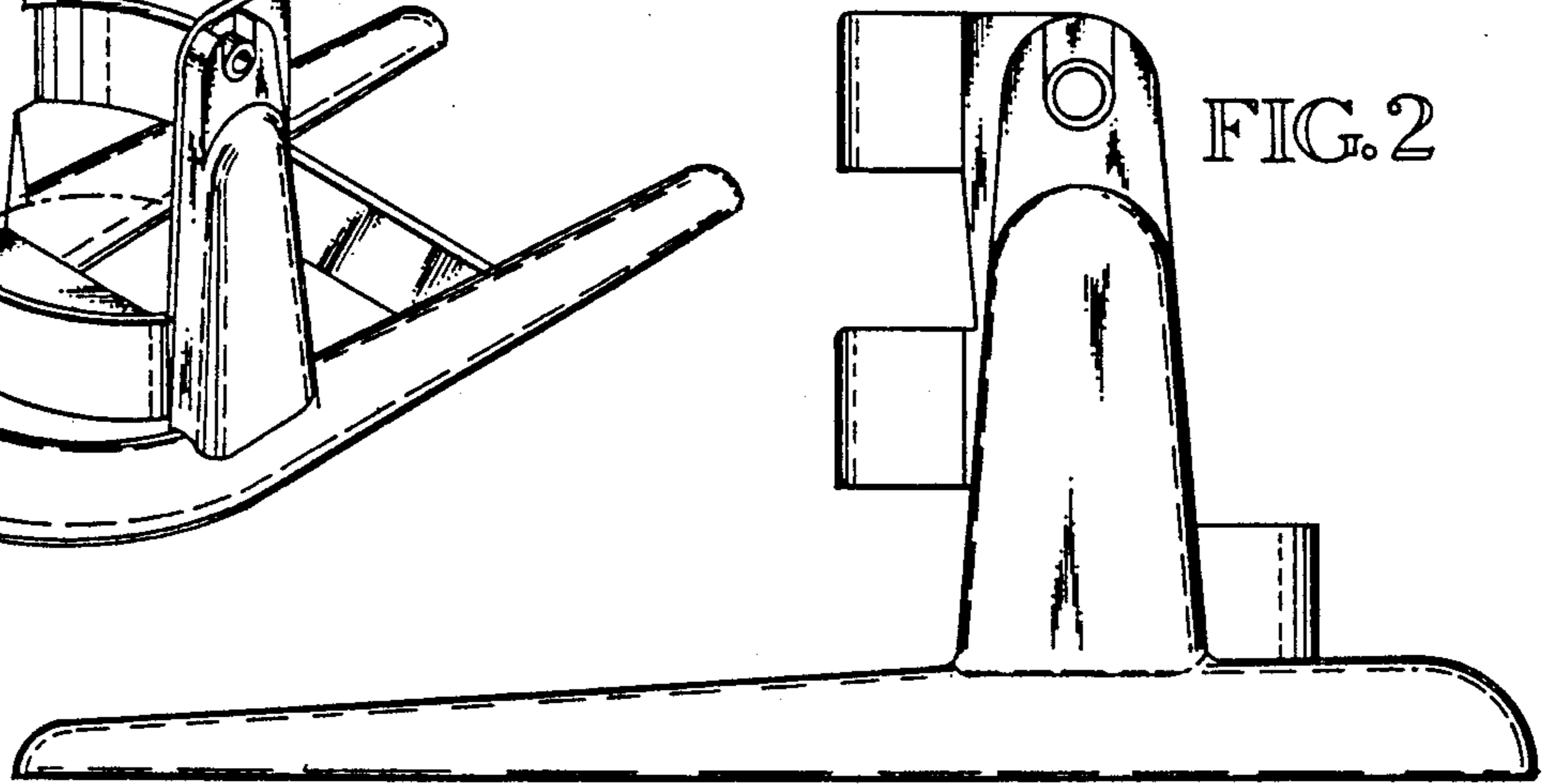


FIG. 2

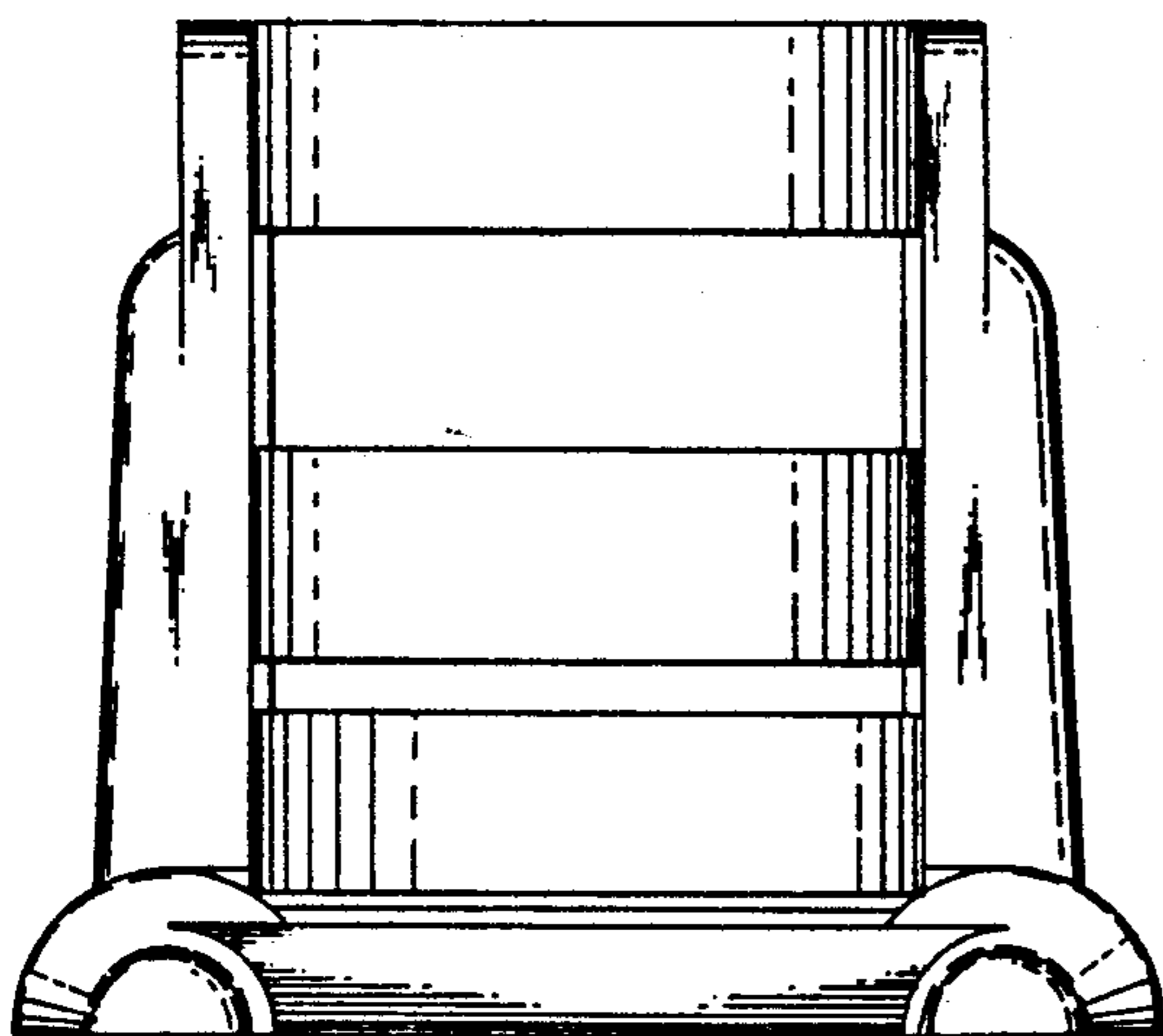


FIG. 3

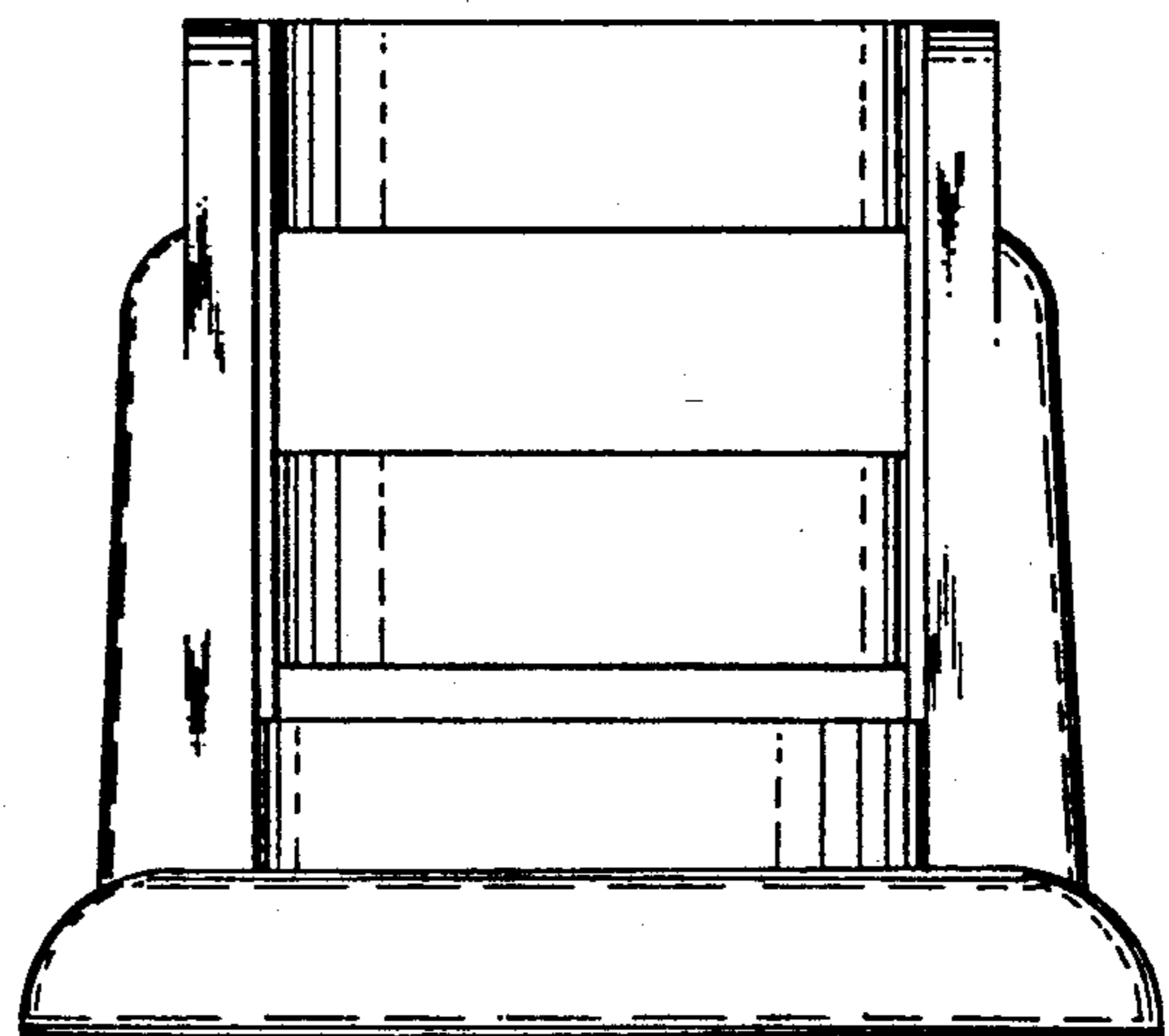


FIG. 4

FIG. 5

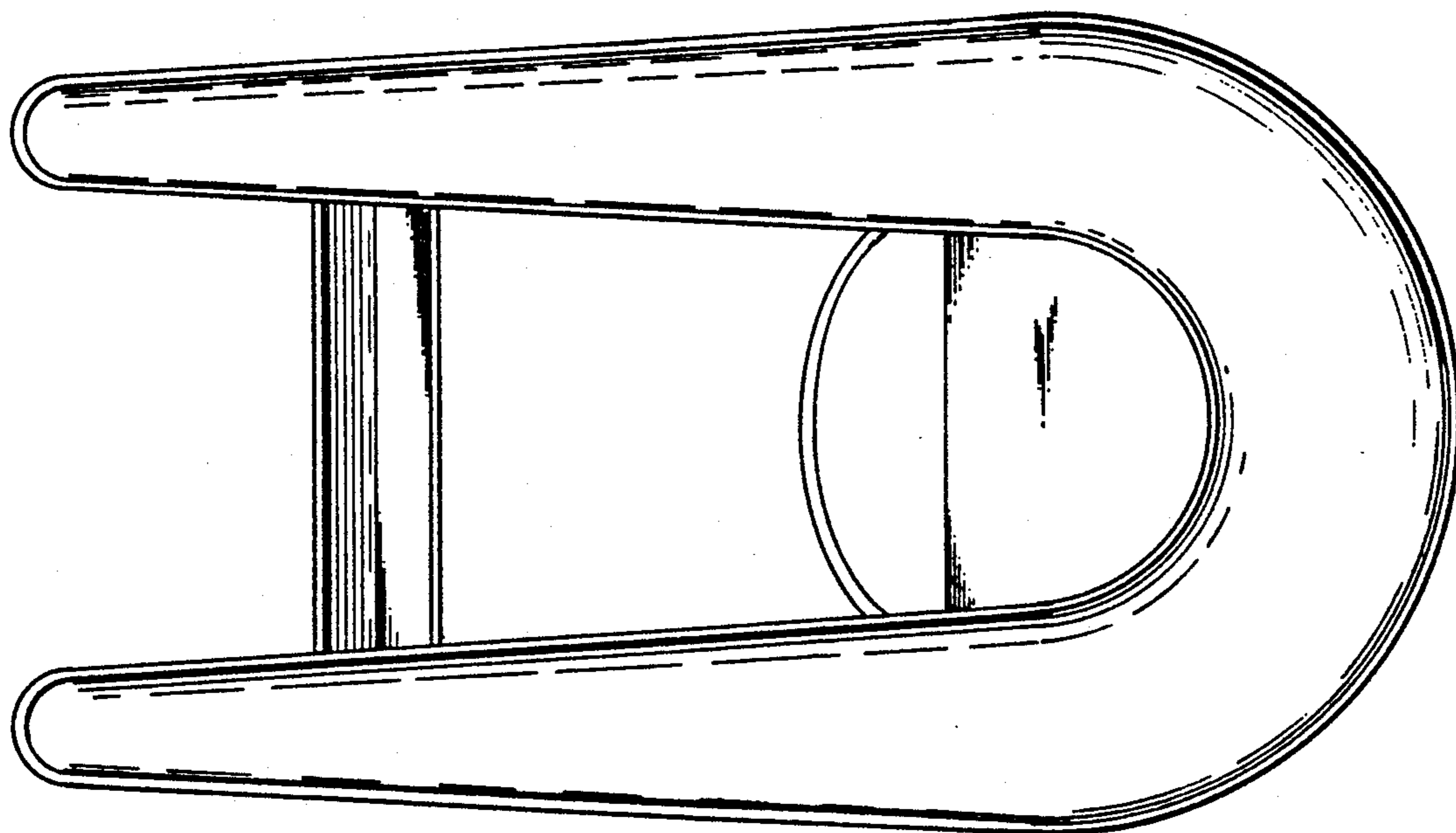
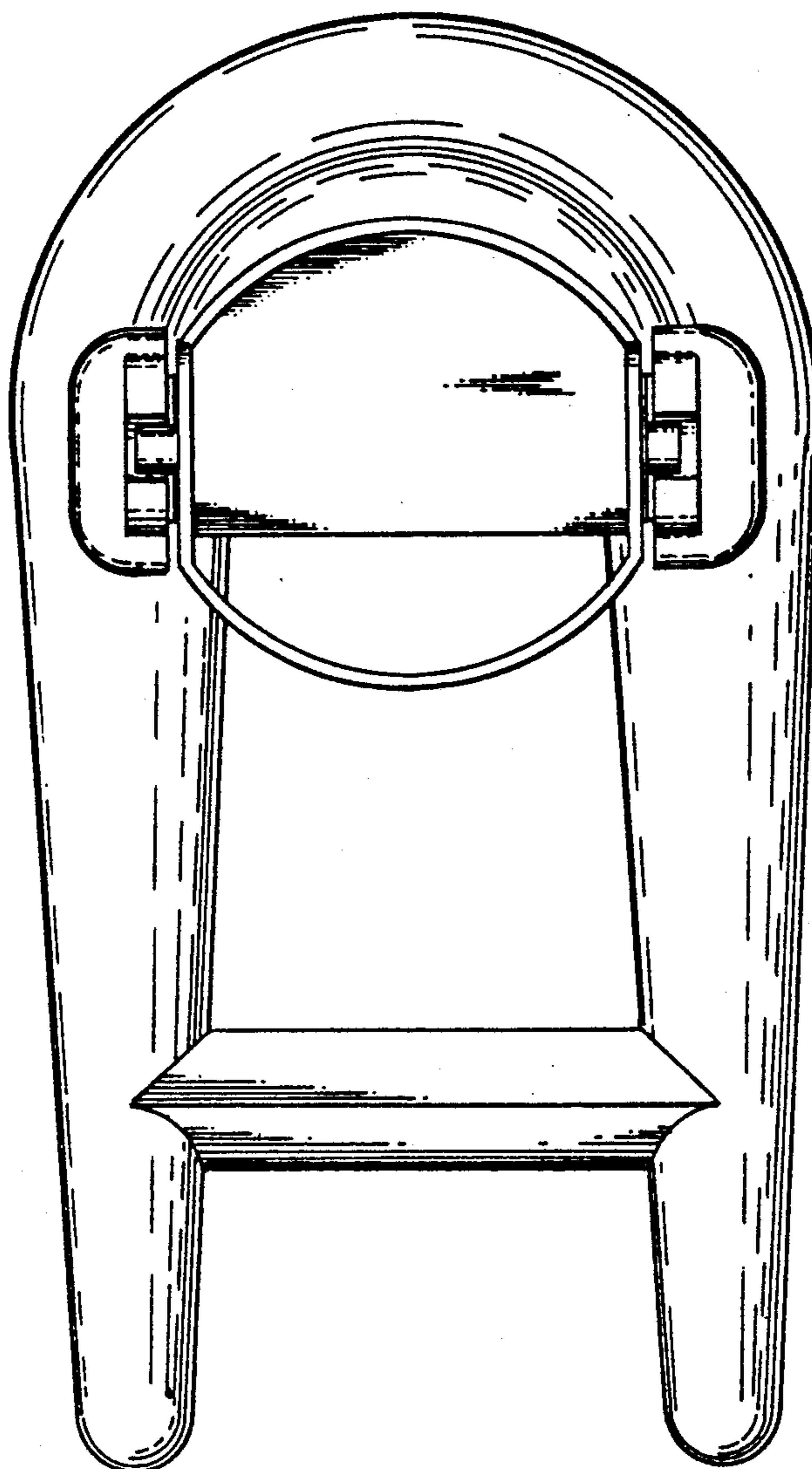


FIG. 6