



US00D335675S

United States Patent [19]

[11] Patent Number: **Des. 335,675**

Herron

[45] Date of Patent: **** May 18, 1993**

[54] HAY DRYER

4,918,910 4/1990 Sheeham et al. 56/16.4

[76] Inventor: **Harold S. Herron, Rte. 5, Box 177,
Live Oak, Fla. 32060**

Primary Examiner—Bernard Ansher
Assistant Examiner—Sandra Morris
Attorney, Agent, or Firm—Terry M. Gernstein

[**] Term: **14 Years**

[57] **CLAIM**

[21] Appl. No.: **560,338**

The ornamental design for a hay dryer, as shown and described.

[22] Filed: **Jul. 31, 1990**

[52] U.S. Cl. **D15/27**

[58] Field of Search **D15/10, 27, 28;
56/10.2, 12.2, 14.4, 14.7, 16.4**

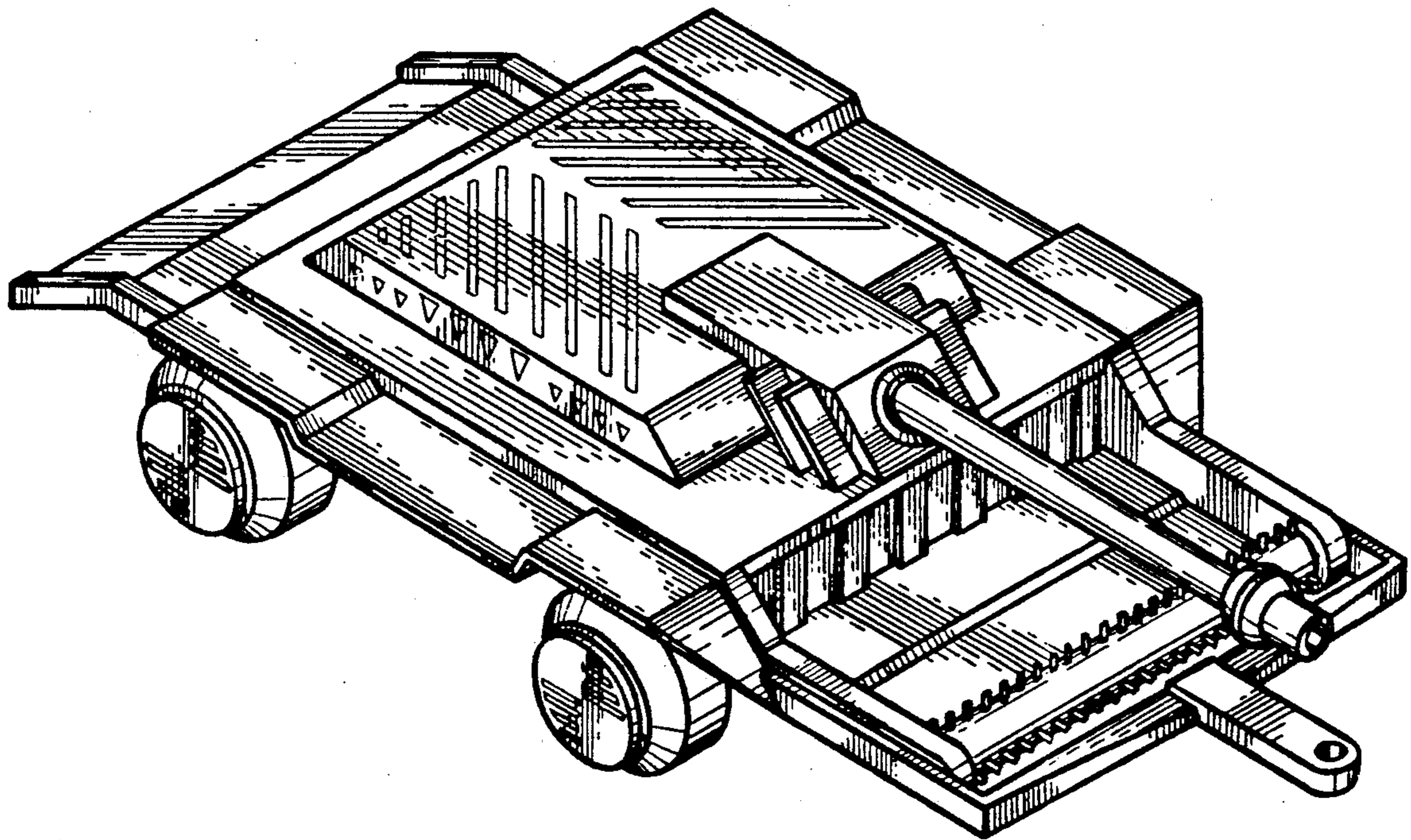
DESCRIPTION

[56] **References Cited**

U.S. PATENT DOCUMENTS

D. 306,597	3/1990	Vanden Bos	D15/10
2,772,487	12/1956	Arndt	D15/10
4,604,857	8/1986	Maher	56/16.4
4,850,183	7/1989	Fox	56/16.4

FIG. 1 is a perspective view of the hay dryer embodying the design of the present invention; FIG. 2 is a front elevational view thereof; FIG. 3 is a rear elevational view thereof; FIG. 4 is a side elevational view thereof, the side opposite being a mirror image of the side shown in FIG. 4; FIG. 5 is a top plan view thereof; and, FIG. 6 is a bottom view thereof.



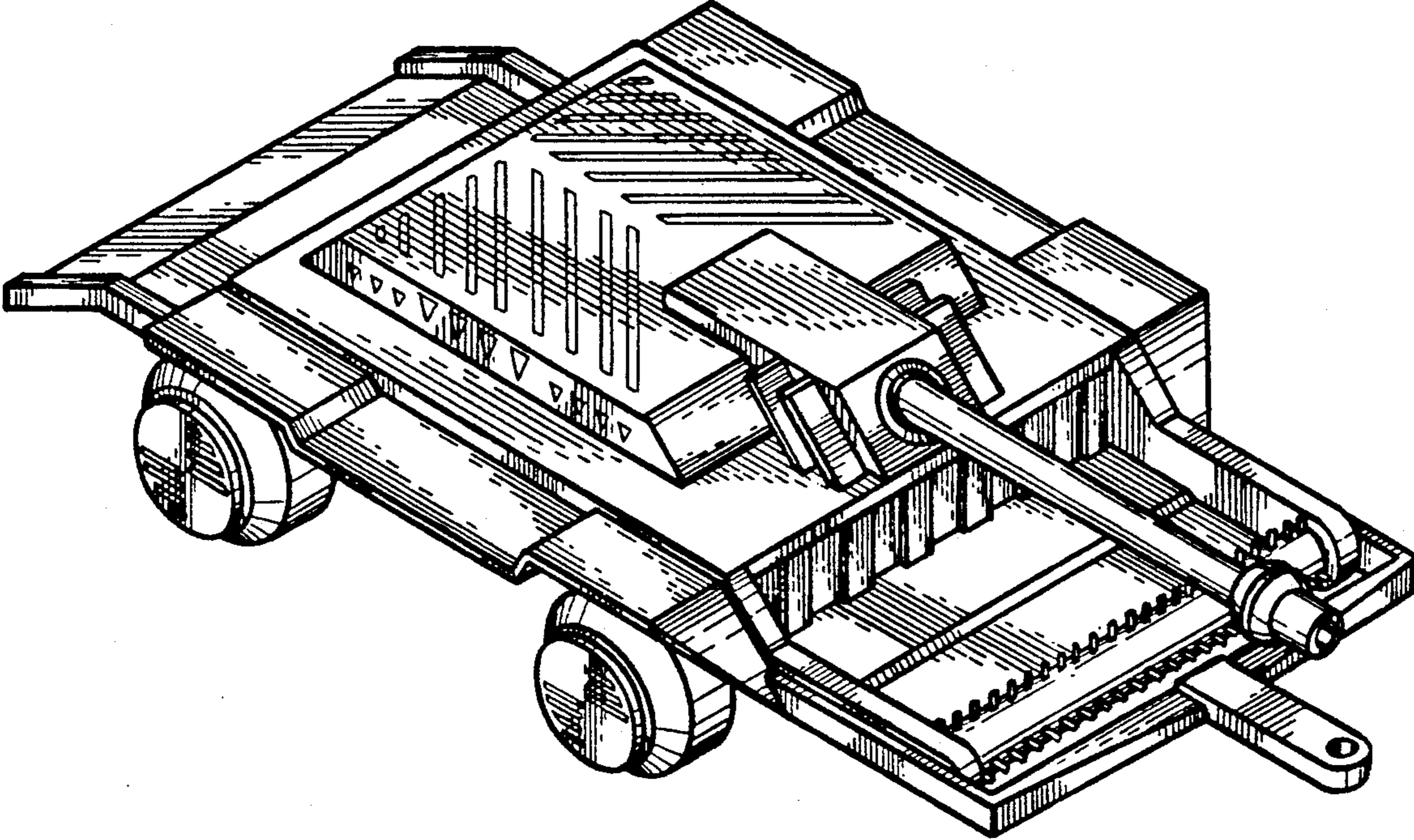


Fig. 1

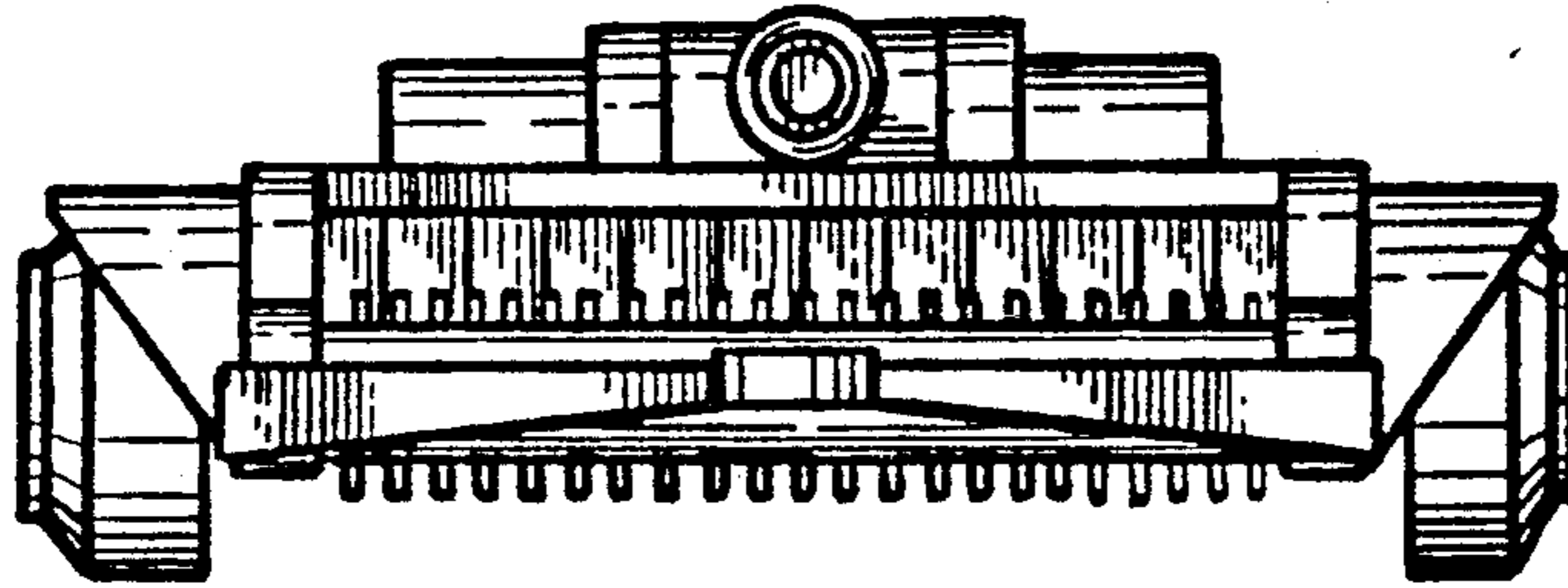


Fig. 2

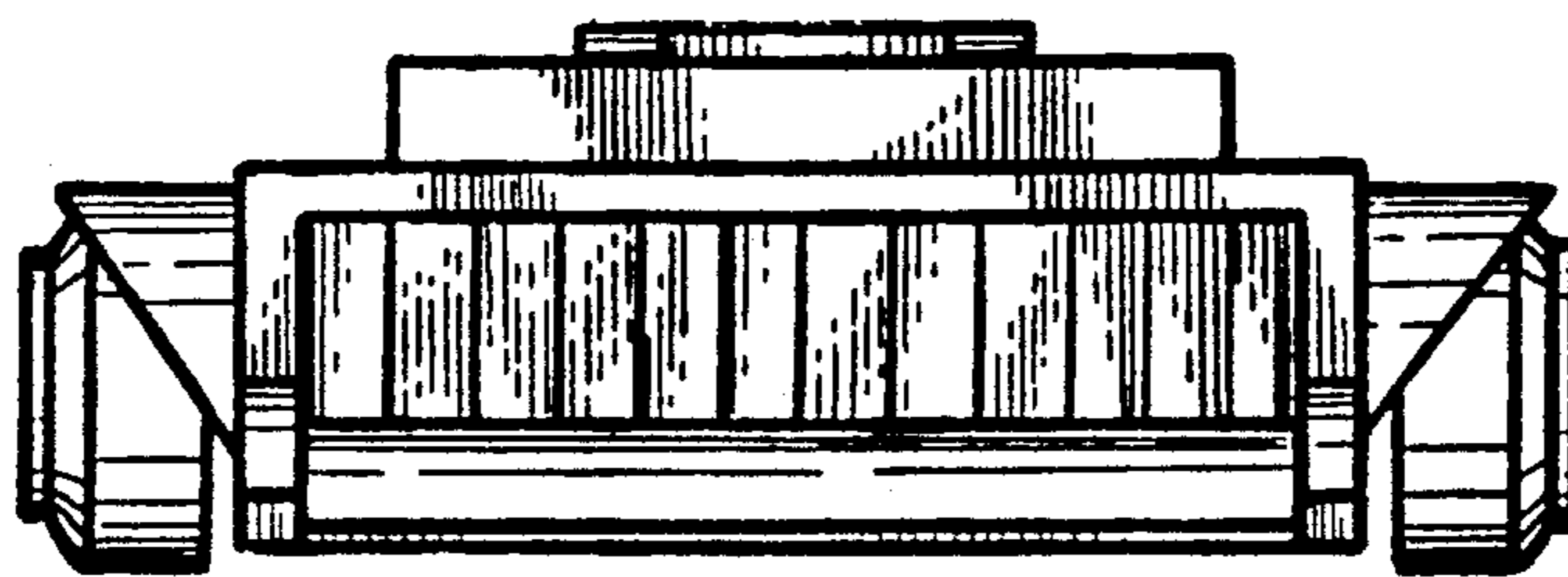


Fig. 3

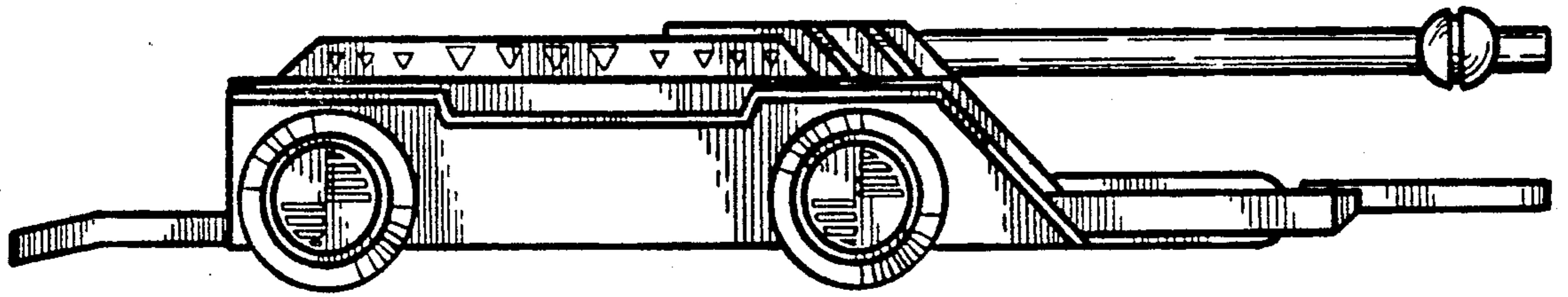


Fig. 4

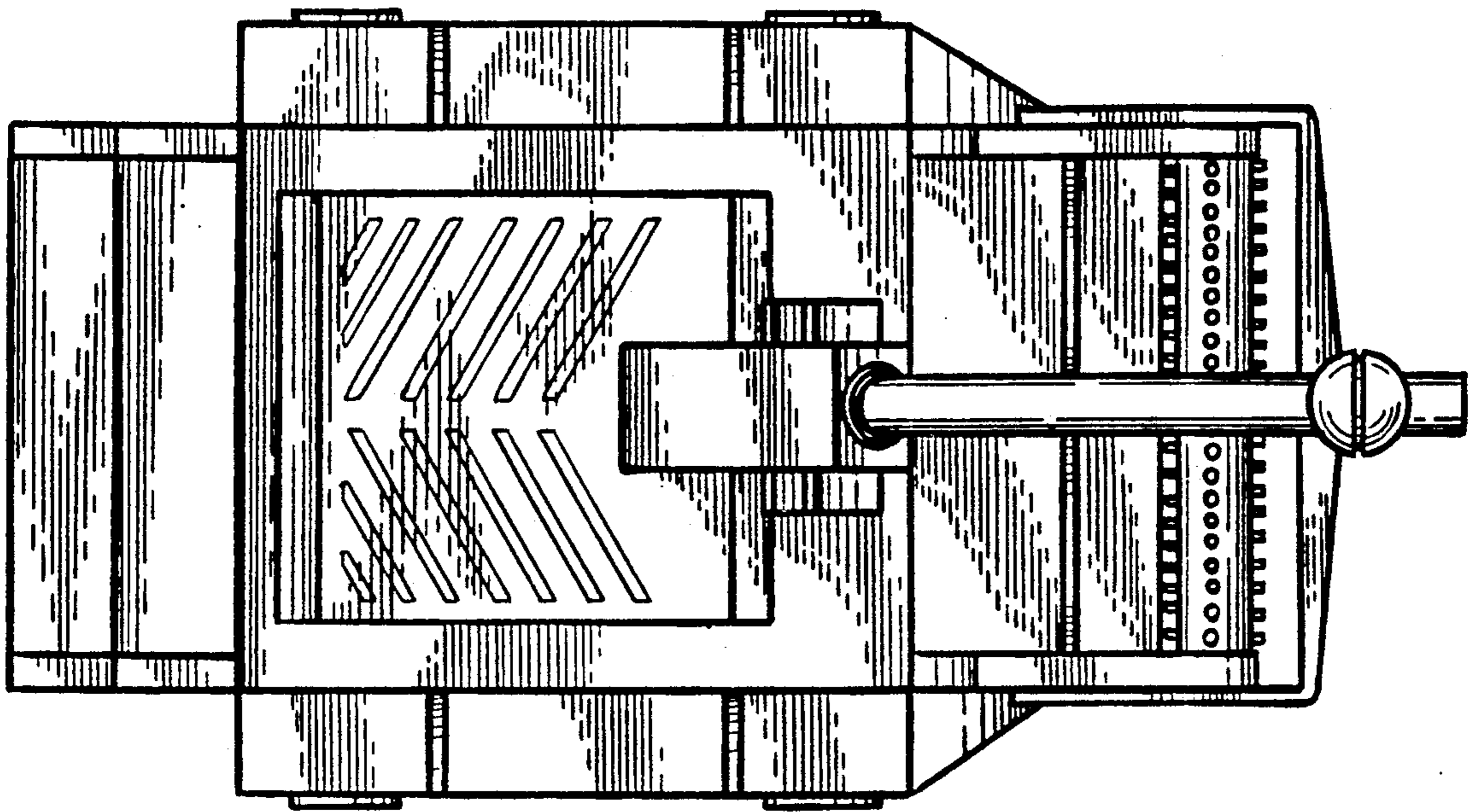


Fig. 5

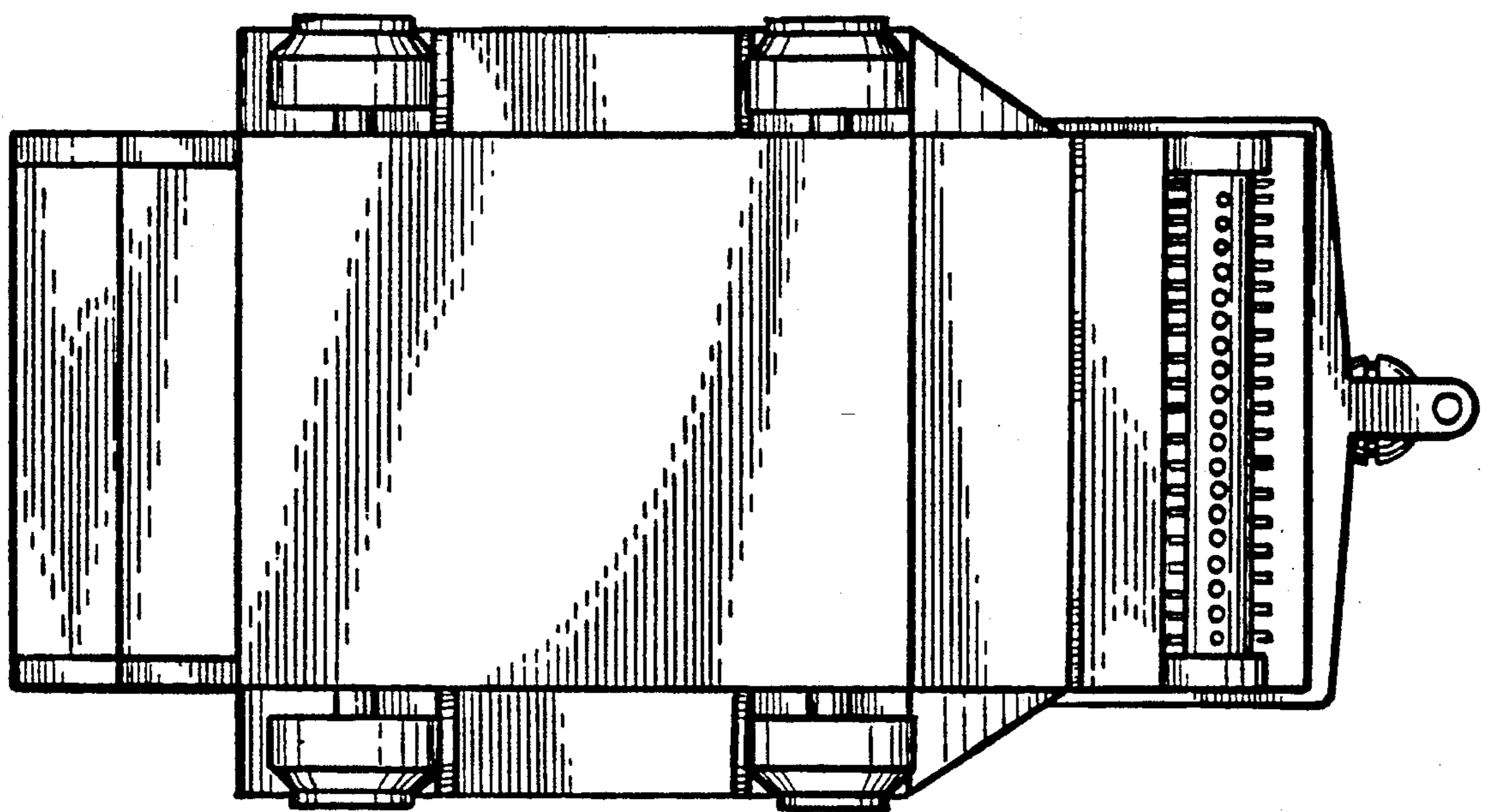


Fig. 6