



US00D335674S

United States Patent [19]

[11] Patent Number: **Des. 335,674**

Hoshino

[45] Date of Patent: **** May 18, 1993**

[54] **COMBINED HOUSING AND HANDLE ASSEMBLY FOR A LINE TRIMMER**

[75] Inventor: **Kiyoshi Hoshino, Clemson, S.C.**

[73] Assignee: **Inertia Dynamics Corporation, Chandler, Ariz.**

[**] Term: **14 Years**

[21] Appl. No.: **544,484**

[22] Filed: **Jun. 27, 1990**

[52] U.S. Cl. **D15/18; D15/16**

[58] Field of Search **D15/10-13, D15/14, 16; 30/276, 390, DIG. 5; 56/12.7, 239, 249, 255, 289, 295**

[56] **References Cited**

U.S. PATENT DOCUMENTS

D. 290,365	6/1987	Hatano et al.	D15/10
D. 303,671	9/1989	Kiyooka et al.	D15/10
D. 308,210	5/1990	Kiyooka et al.	D15/10
D. 319,644	9/1991	Clivio	D15/16
4,860,451	8/1989	Pilatowicz et al.	56/12.7
4,916,886	4/1990	Nakamura et al.	30/276

OTHER PUBLICATIONS

Lawn-boy catalog ©1987 p. 11 lawn trimmer, top.

Primary Examiner—Bernard Ansher

Assistant Examiner—Sandra Morris

Attorney, Agent, or Firm—Brooks & Kushman

[57] **CLAIM**

The ornamental design for a combined housing and handle assembly for a line trimmer, as shown and described.

DESCRIPTION

FIG. 1 is a perspective view of a combined housing and handle assembly for a line trimmer, showing my new design, the broken line showing the cutting head is for illustrative purposes only, and forms no part of the claimed design;

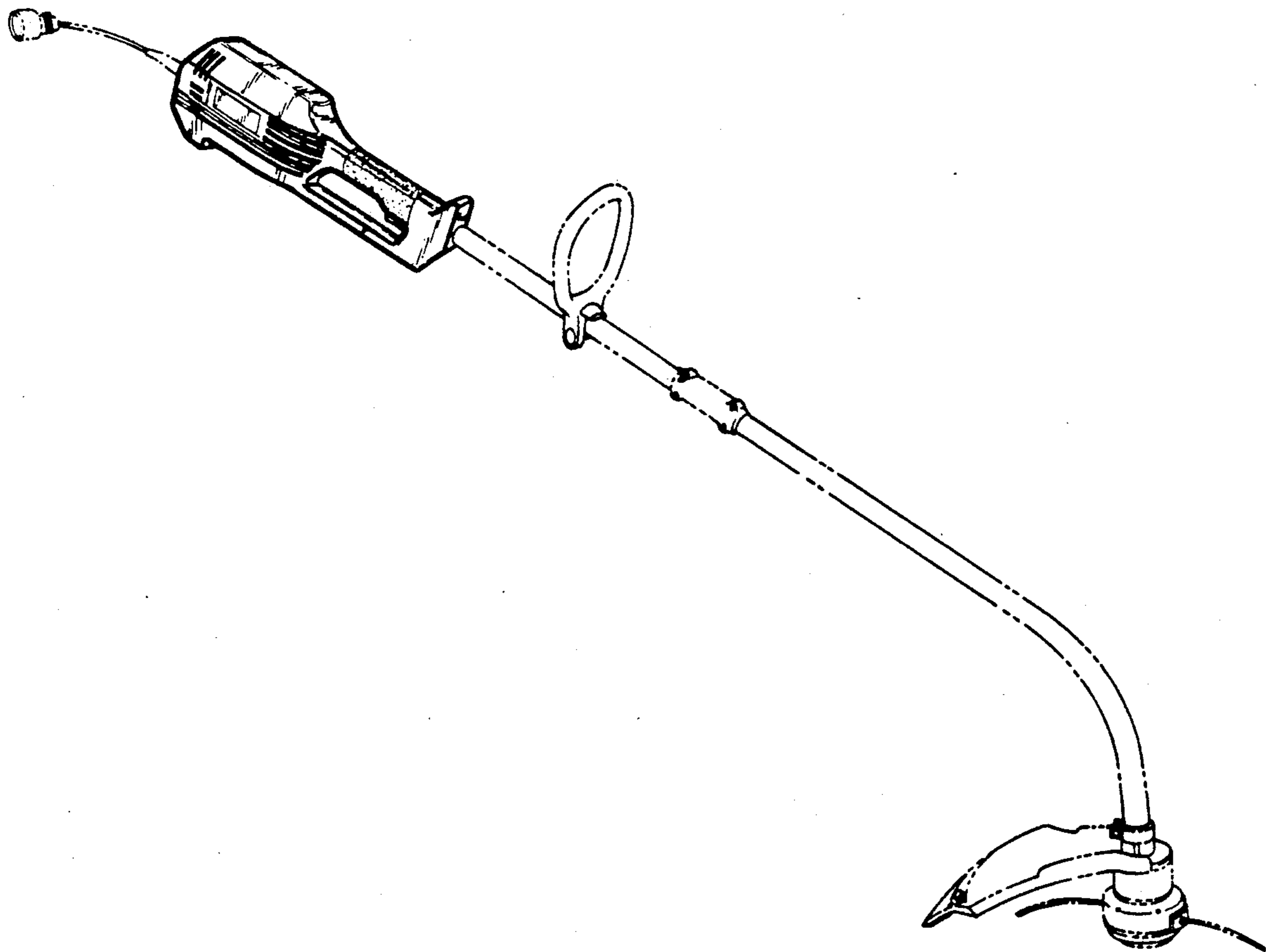
FIG. 2 is an enlarged left side elevational view thereof; FIG. 3 is an enlarged right side elevational view thereof;

FIG. 4 is an enlarged top plan view thereof;

FIG. 5 is an enlarged bottom plan view thereof;

FIG. 6 is an enlarged back end elevational view thereof; and,

FIG. 7 is an enlarged front end elevational view thereof.



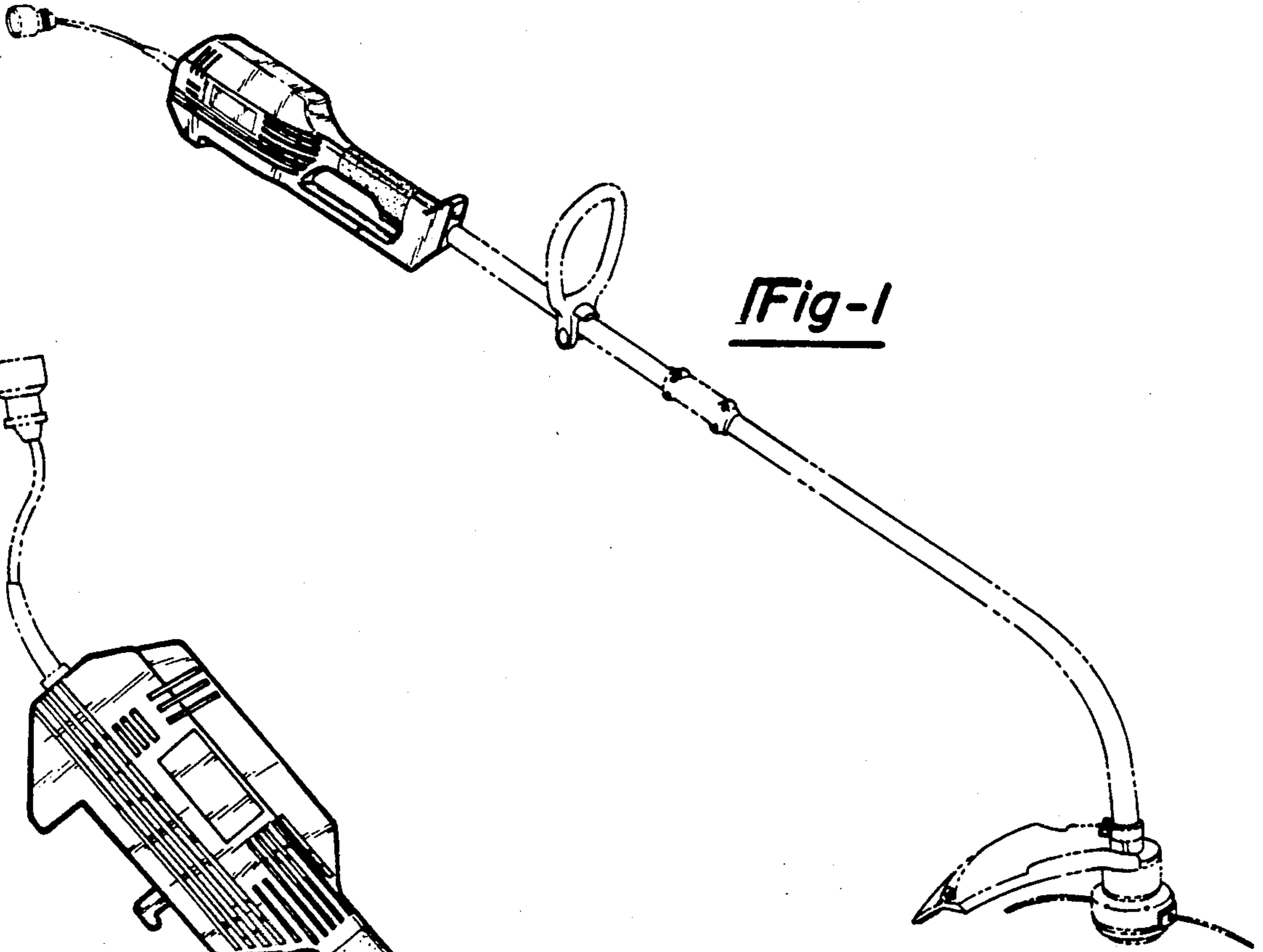


Fig-1

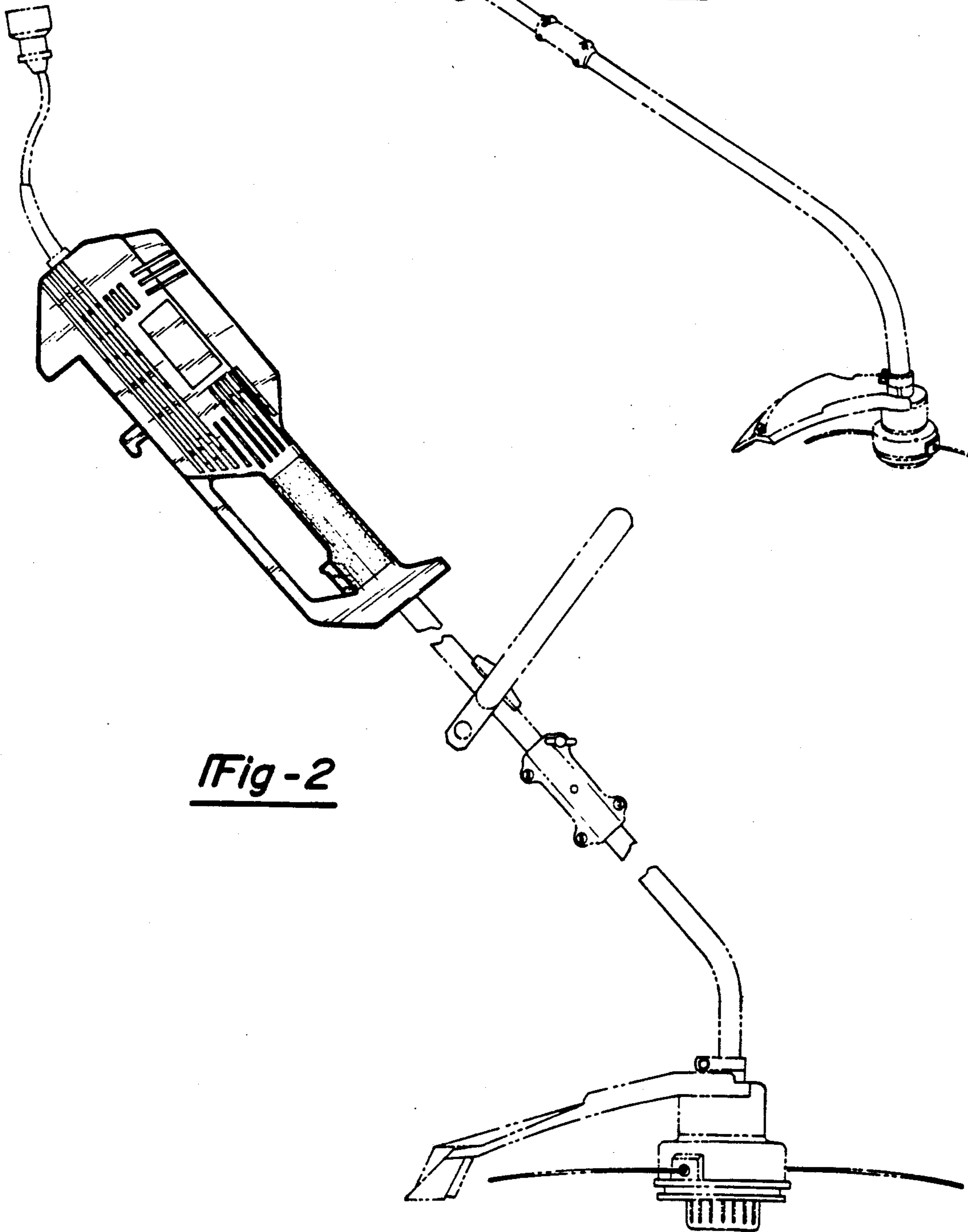


Fig-2

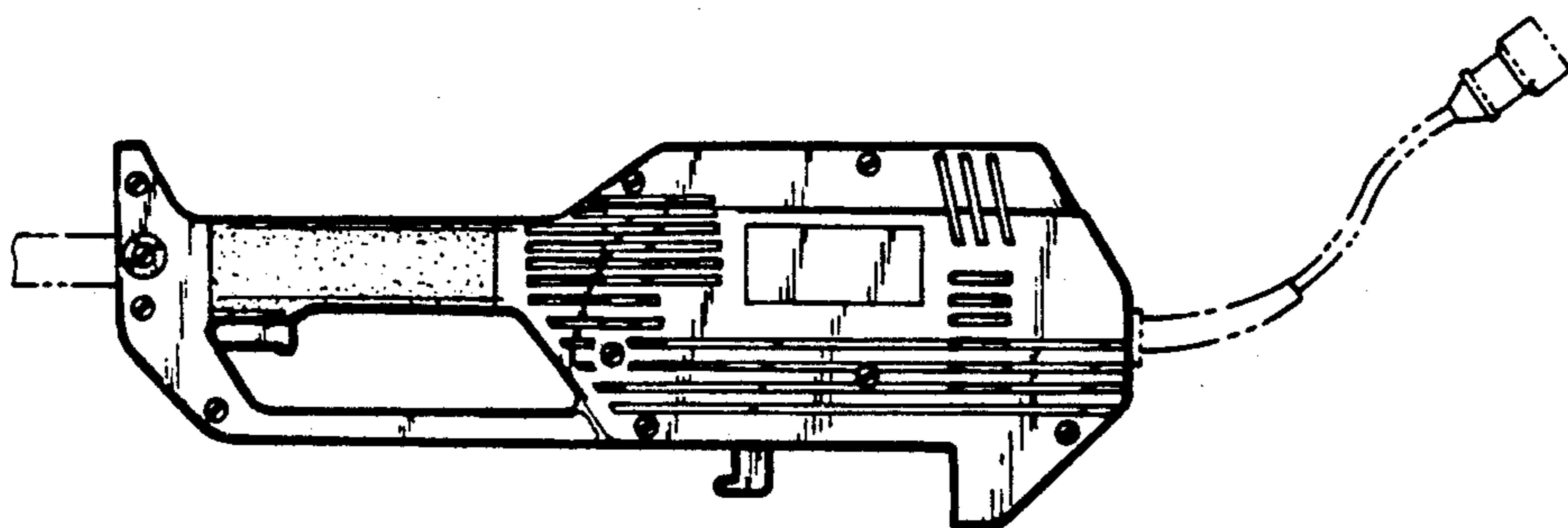


Fig-3

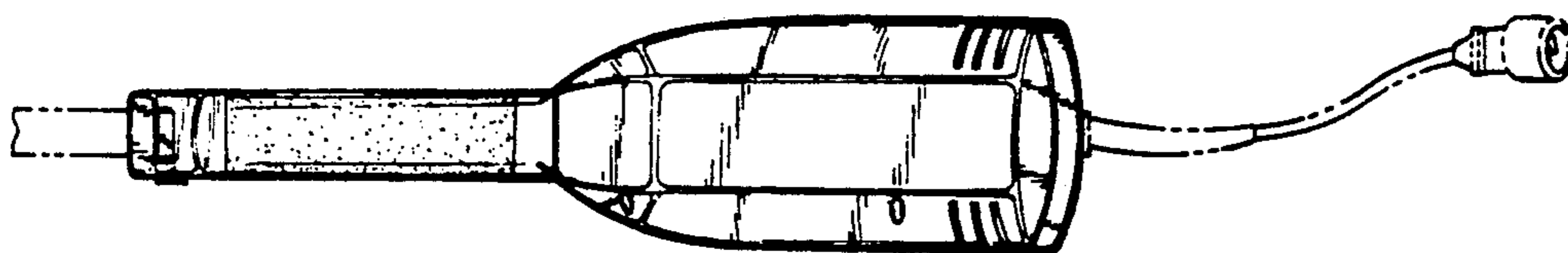


Fig-4

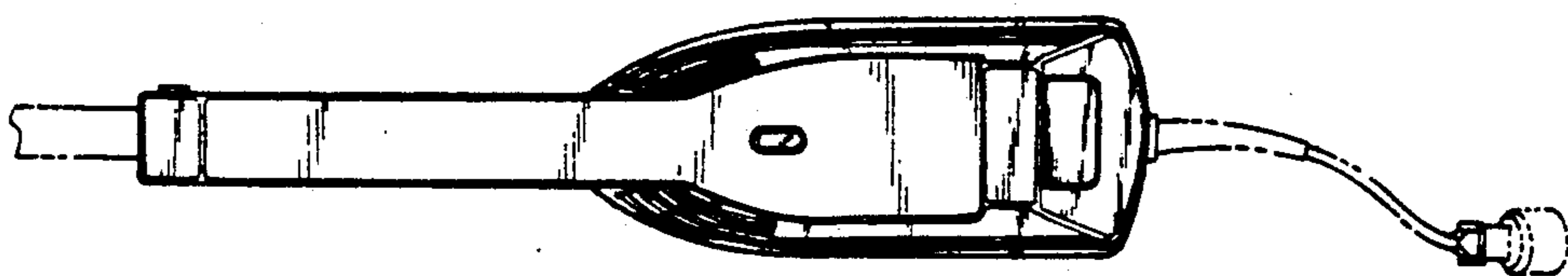


Fig-5

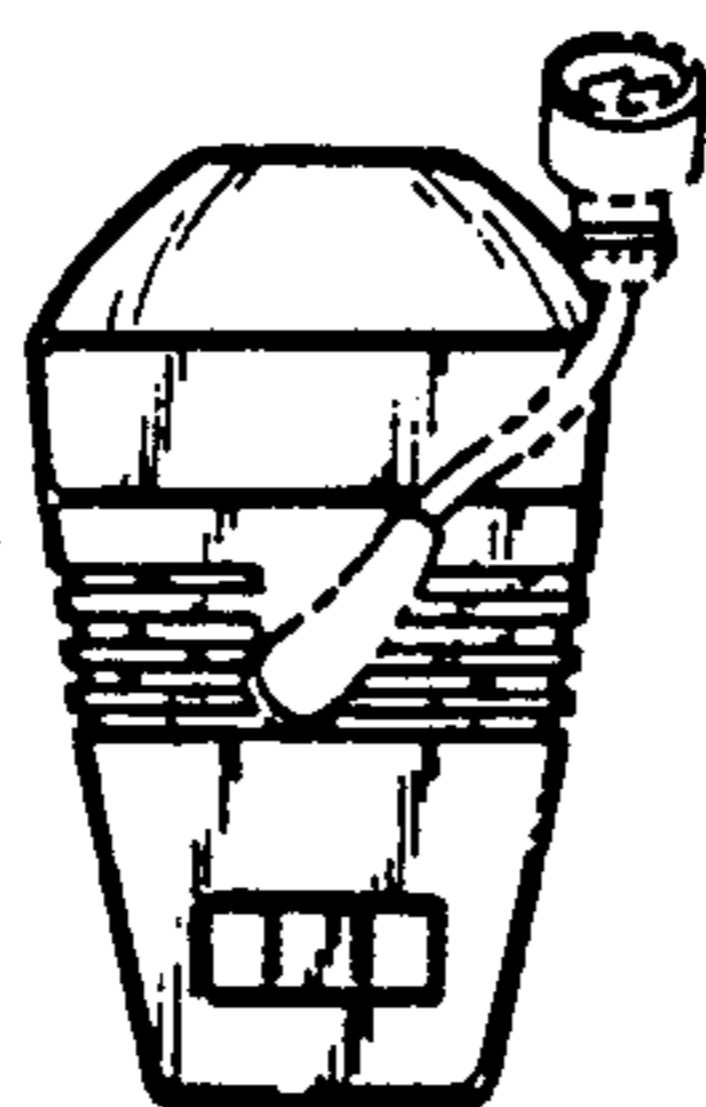


Fig-6

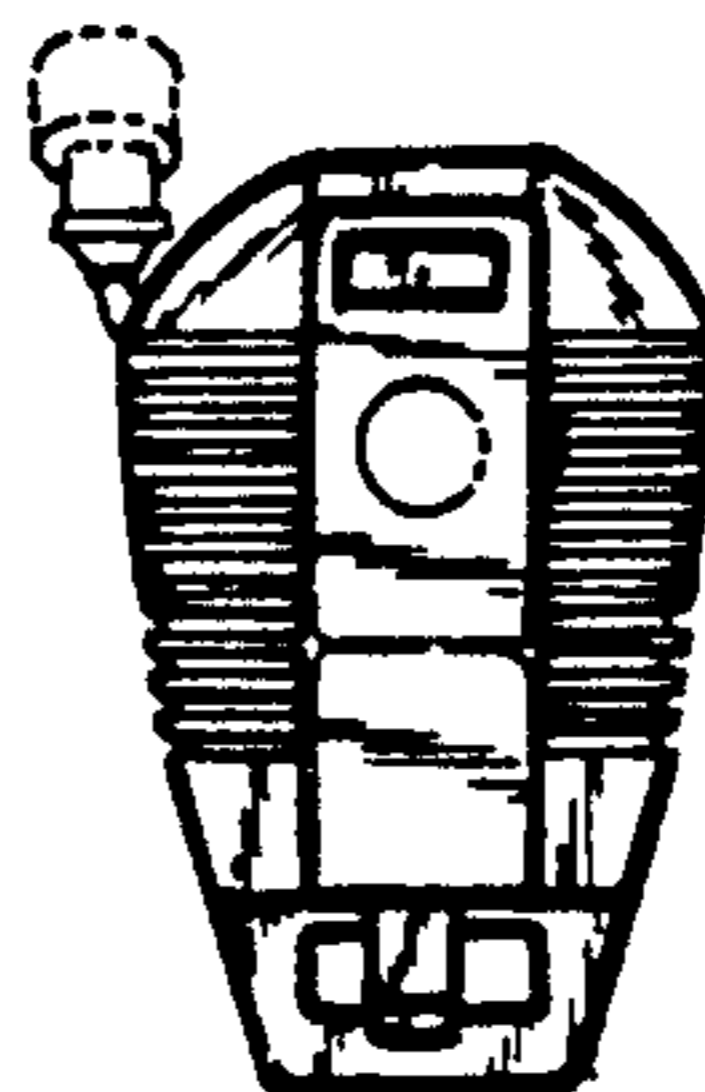


Fig-7