



US00D335668S

United States Patent [19]
Pasinski

[11] **Patent Number: Des. 335,668**
[45] **Date of Patent: ** May 18, 1993**

[54] **SKATEBOARD TELEPHONE OR SIMILAR ARTICLE**

[75] **Inventor: Ralph R. Pasinski, Sunnyvale, Calif.**

[73] **Assignee: Nobell, Inc., Sunnyvale, Calif.**

[**] **Term: 14 Years**

[21] **Appl. No.: 791,608**

[22] **Filed: Nov. 13, 1991**

[52] **U.S. Cl. D14/143; D21/111**

[58] **Field of Search D14/143, 248, 147;
D21/111, 227; 379/434, 440**

[56] **References Cited**

U.S. PATENT DOCUMENTS

D. 222,158	10/1971	Noches	D21/227
D. 261,543	10/1989	Morris, Sr.	D21/227
D. 281,517	11/1985	Kolich	D21/111
D. 299,231	1/1989	Yeung	D21/111
D. 303,201	9/1989	Gobindram	D14/143
D. 305,654	1/1990	Ferdi et al.	D14/143
D. 305,758	1/1990	Wilson	D14/248
D. 322,066	12/1991	Pasinski	D14/143
D. 322,066	12/1991	Pasinski	D14/143
4,082,306	4/1978	Sheldon	D21/227

OTHER PUBLICATIONS

Playthings Mag.; Nov. 1977; p. 31; Grentec Leisure Products, Inc. Sundry Skateboards of varios designs shown.

Playthings; Feb. 1976; Toy Fair; p. 184; Eight perspective view of different models of skateboards.

Playthings; Feb. 1970; note upper left corner "Molded Foam Skateboards wheels to wood insert a Hacker".

Primary Examiner—Horace B. Fay, Jr.

Attorney, Agent, or Firm—Irving M. Weiner; Robert M. Petrik; Joseph P. Carrier

[57] **CLAIM**

The ornamental design for a skateboard telephone or similar article, as shown.

DESCRIPTION

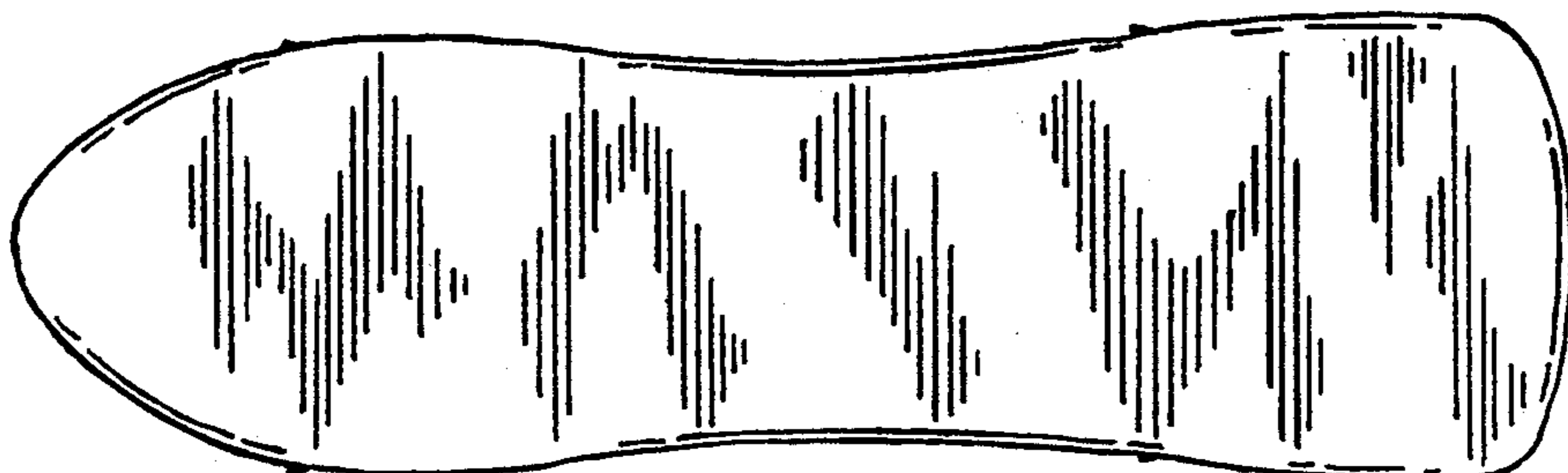
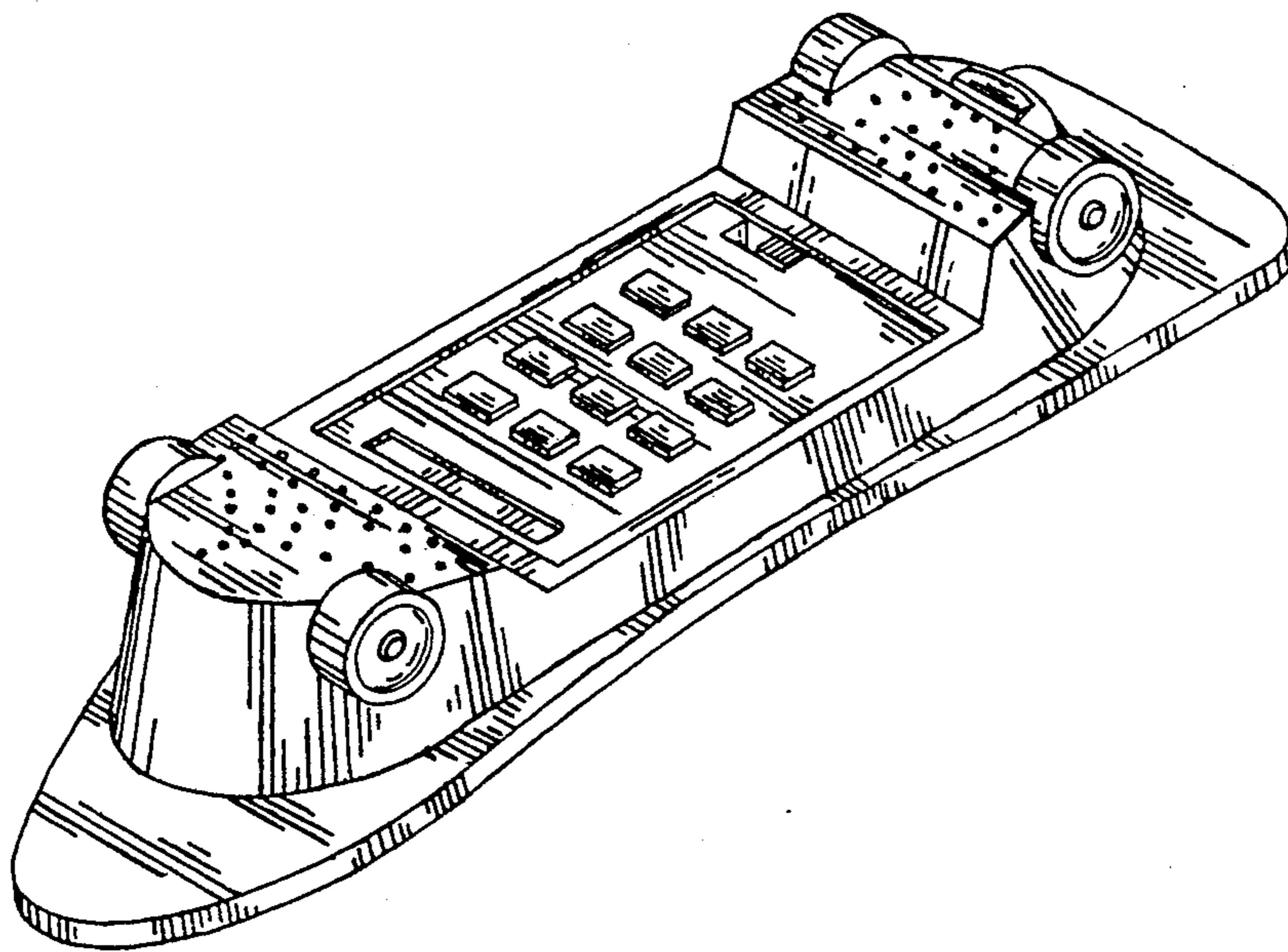
FIG. 1 is a front, top and right side perspective view of a skateboard telephone or similar article showing my new design;

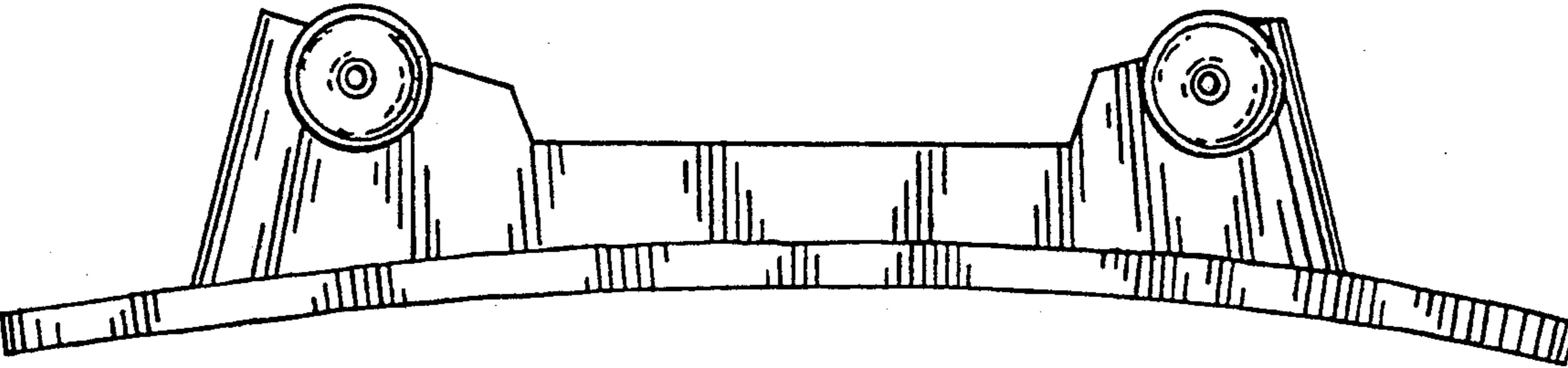
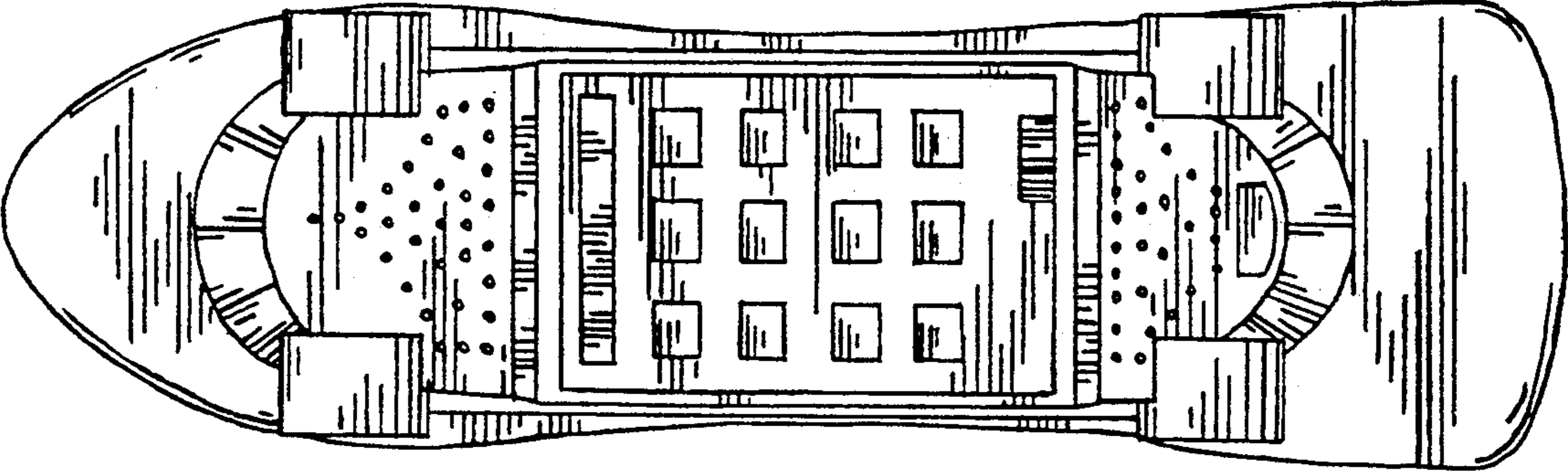
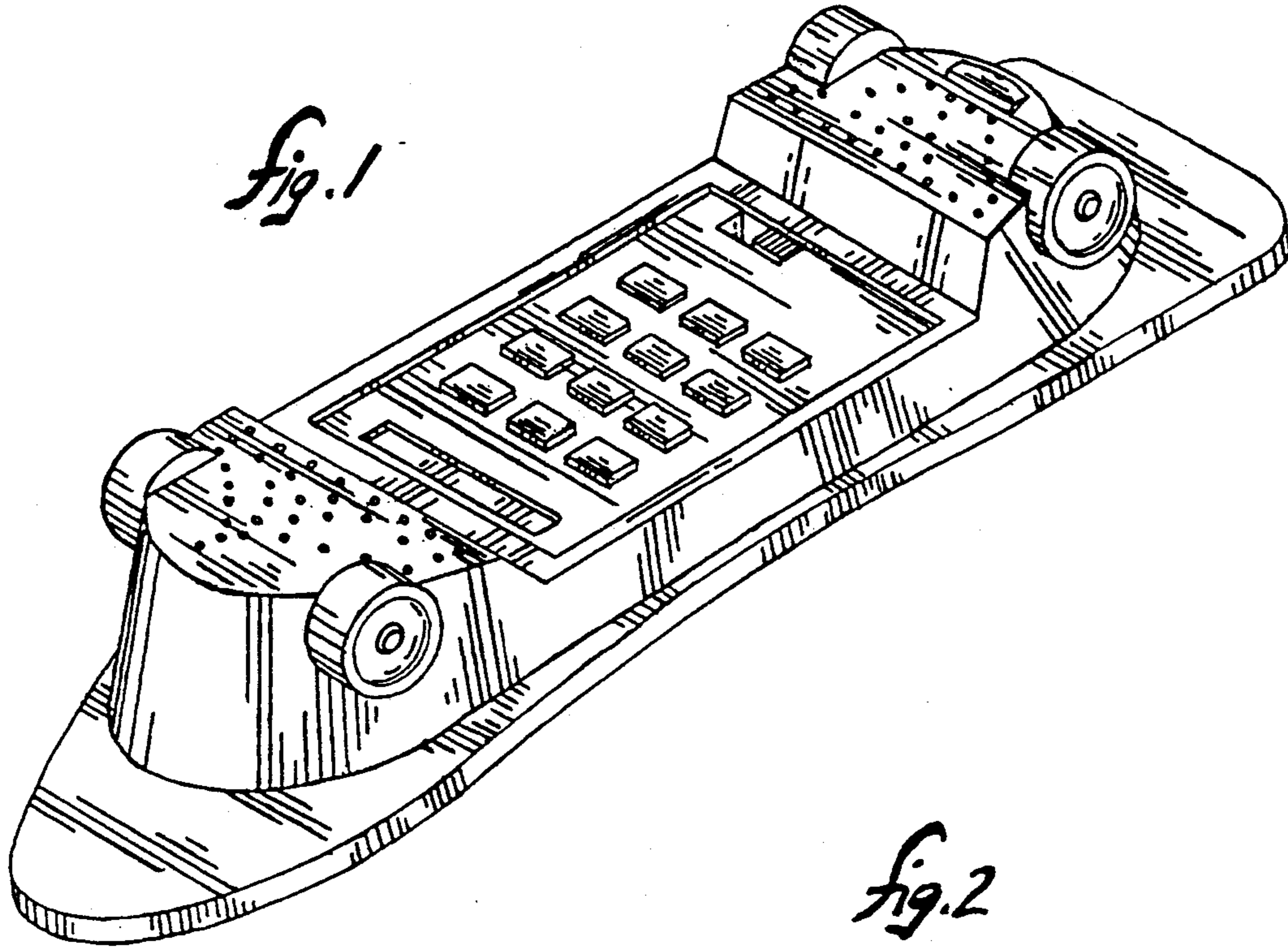
FIG. 2 is a top plan view thereof;

FIG. 3 is a right side elevational view thereof, the side opposite being a mirror image;

FIG. 4 is a bottom plan thereof; and,

FIGS. 5 and 6 are respectively front and rear elevational views thereof.





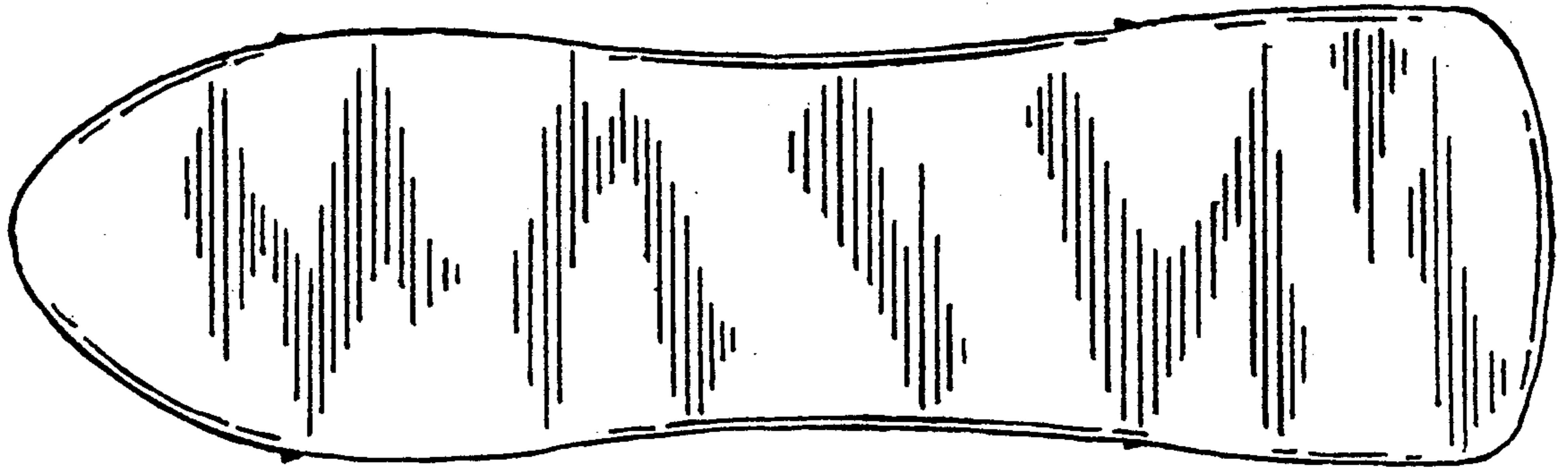


fig. 4

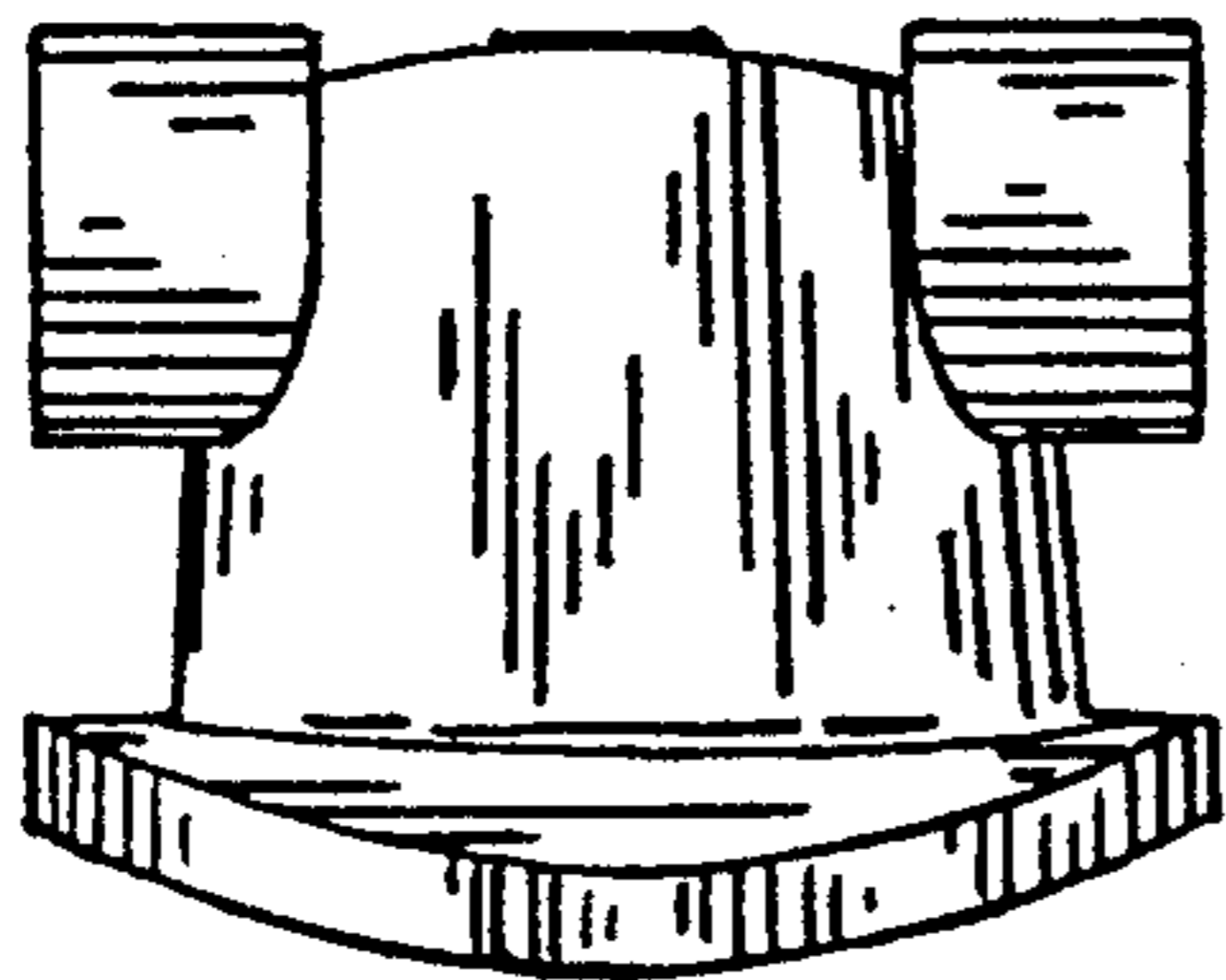


fig. 5

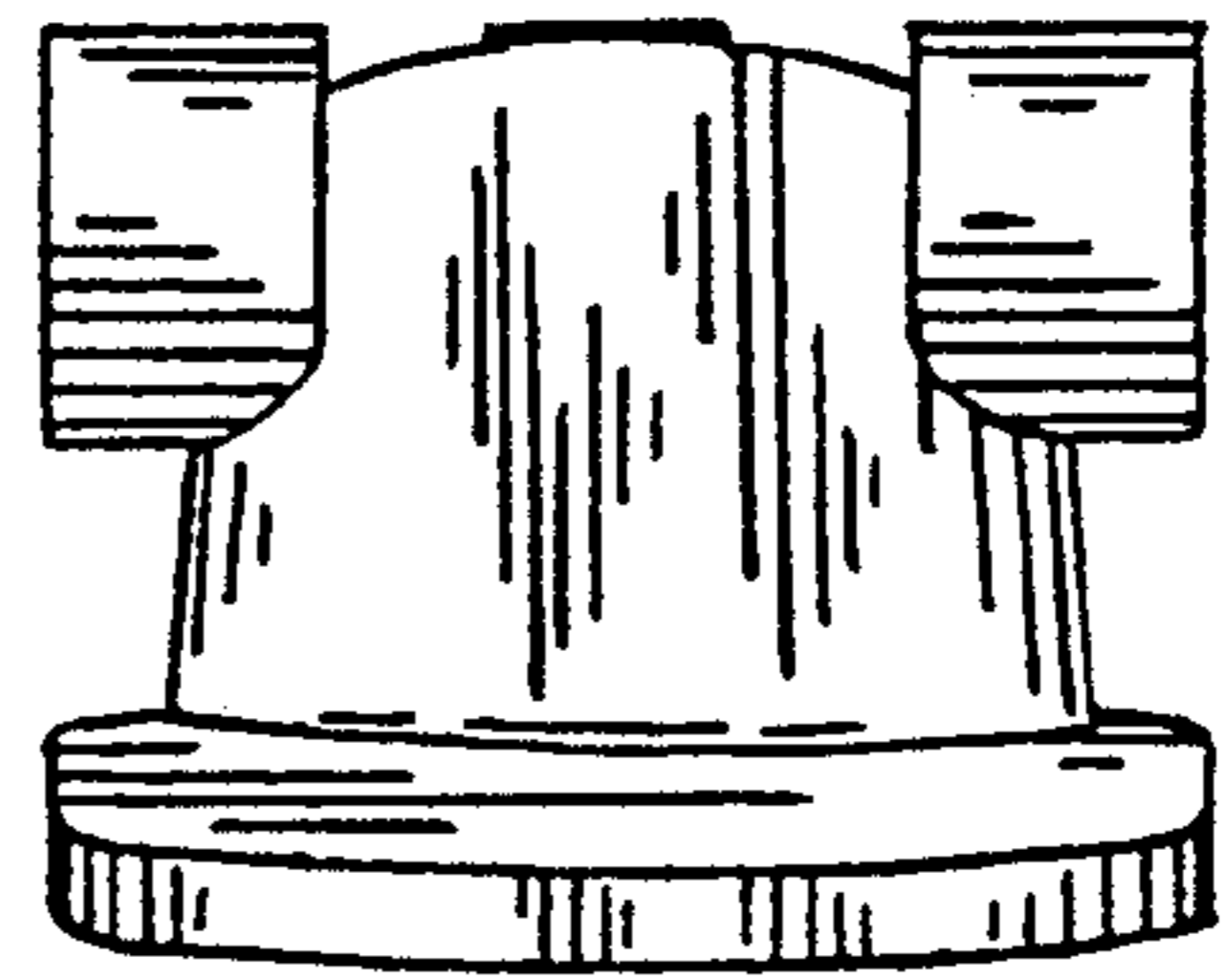


fig. 6