



US00D335665S

# United States Patent [19]

Althans et al.

[11] Patent Number: **Des. 335,665**

[45] Date of Patent: **\*\* May 18, 1993**

[54] TELEVISION SET

[75] Inventors: **Richard K. Althans, Long Grove; Mark Gartz, Mt. Prospect, both of Ill.**

[73] Assignee: **Zenith Electronics Corporation, Glenview, Ill.**

[\*\*] Term: **14 Years**

[21] Appl. No.: **752,241**

[22] Filed: **Aug. 29, 1991**

[52] U.S. Cl. .... **D14/126**

[58] Field of Search ..... **D14/113, 124-134; 358/60, 237-239, 254-255**

[56] **References Cited**

### U.S. PATENT DOCUMENTS

- D. 256,920 9/1980 Takashima et al. .... D14/126
- D. 316,408 4/1991 Tsubaki et al. .... D14/126
- D. 317,598 6/1991 Park ..... D14/126
- D. 320,014 9/1991 Saiki et al. .... D14/126

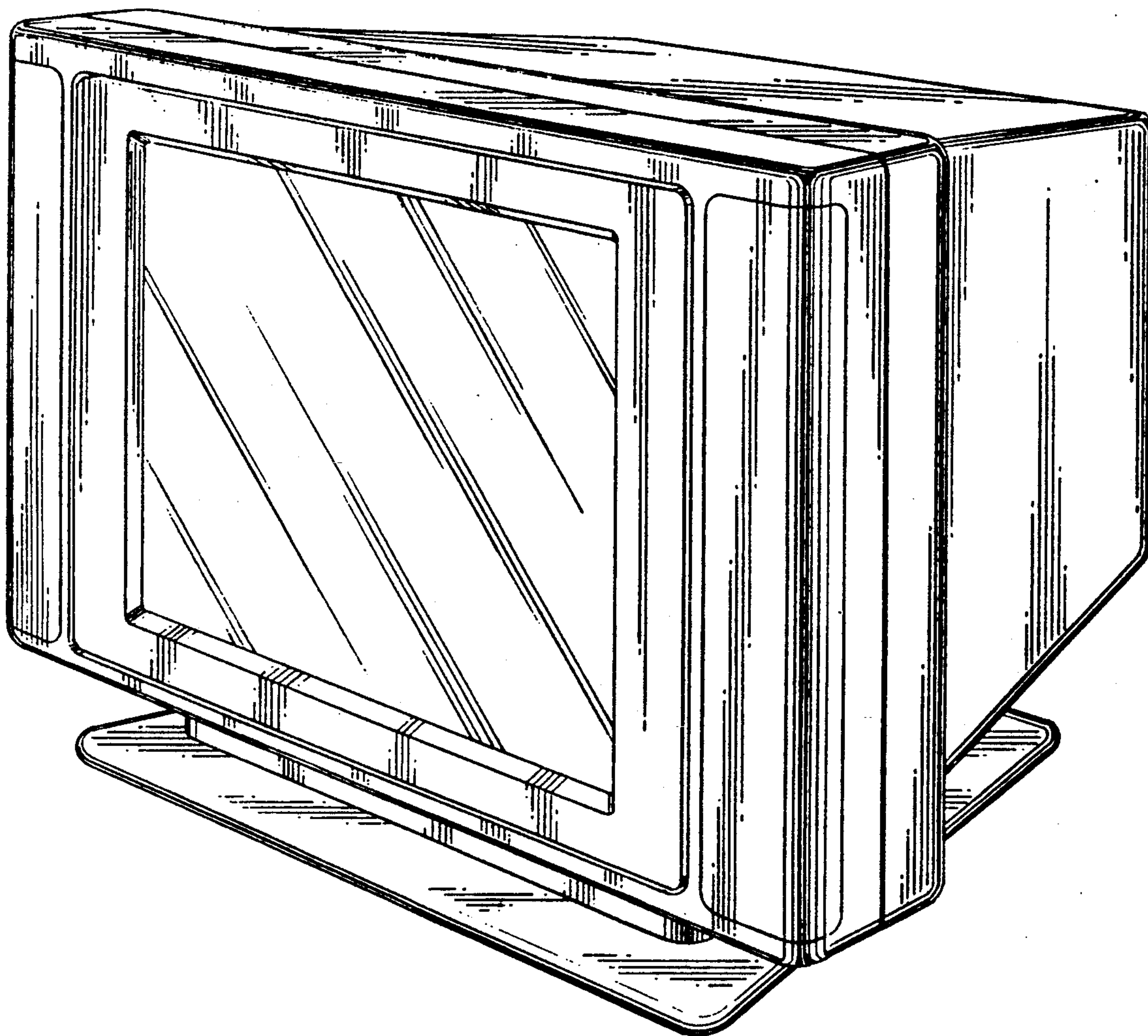
*Primary Examiner*—Theodore M. Shooman

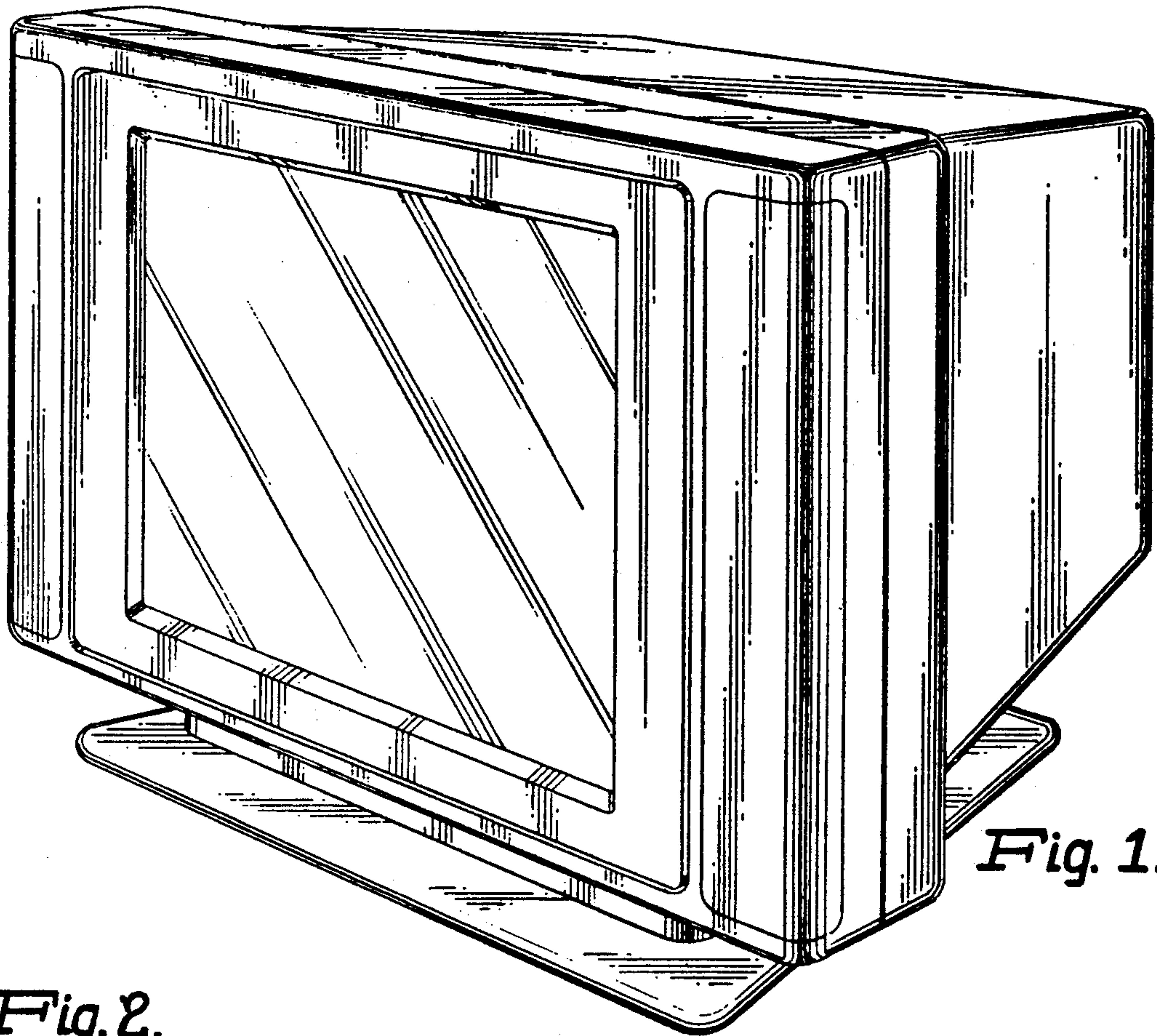
[57] **CLAIM**

The ornamental design for a television set, as shown.

### DESCRIPTION

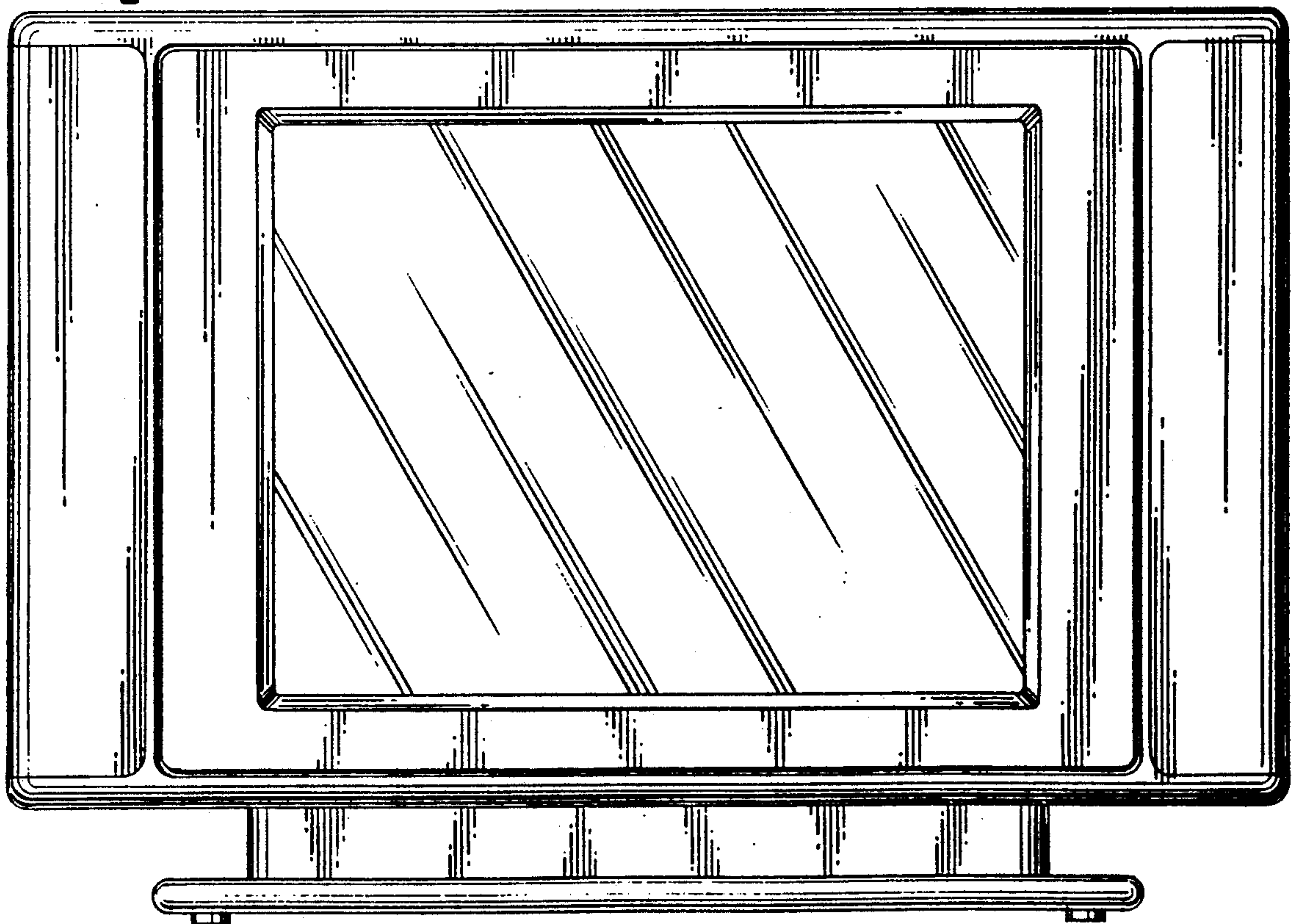
FIG. 1 is a front right perspective view;  
 FIG. 2 is a front elevation;  
 FIG. 3 is a left side elevation;  
 FIG. 4 is a top plan view;  
 FIG. 5 is a bottom plan view; and,  
 FIG. 6 is a rear elevation.





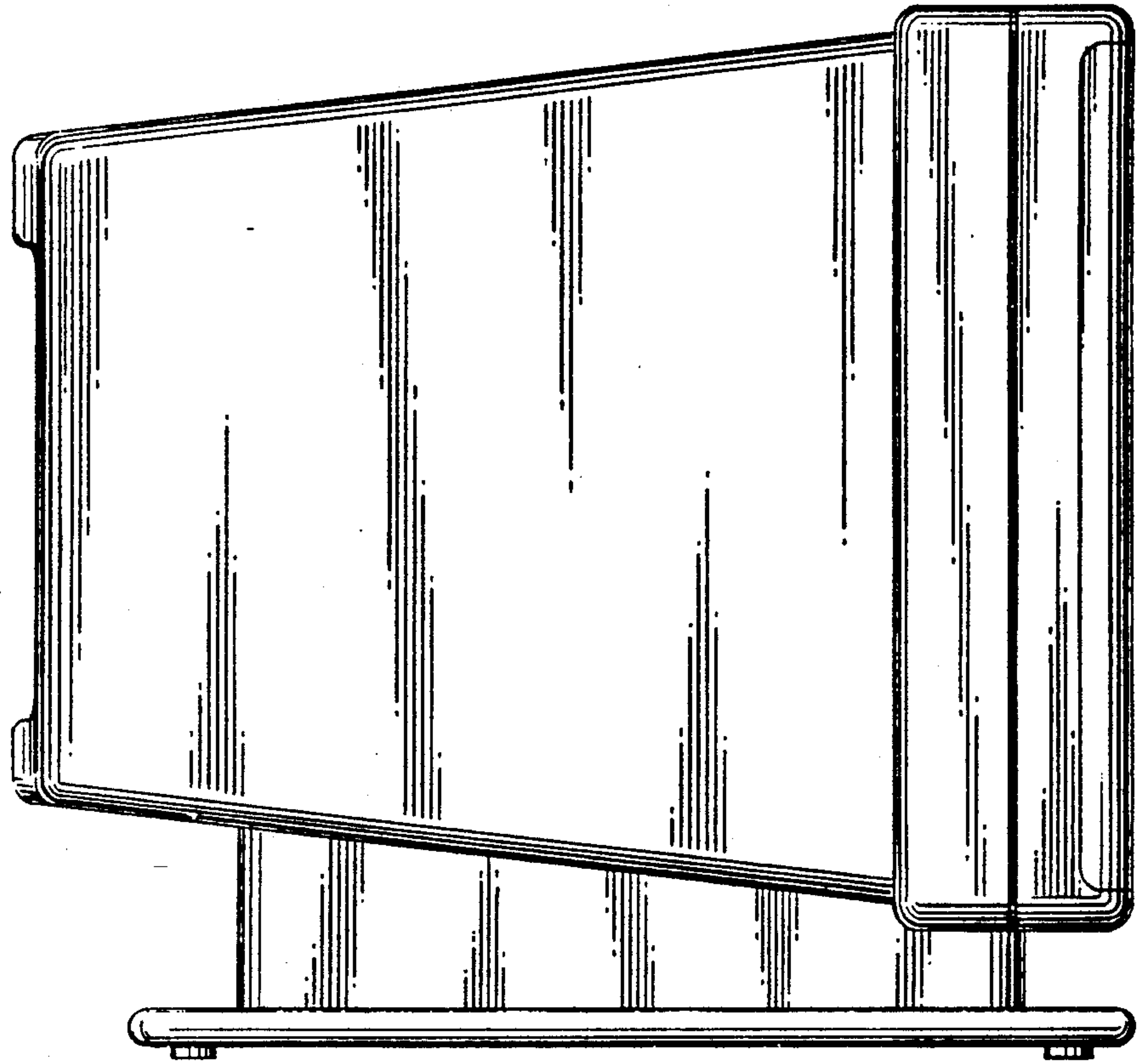
*Fig. 1.*

*Fig. 2.*

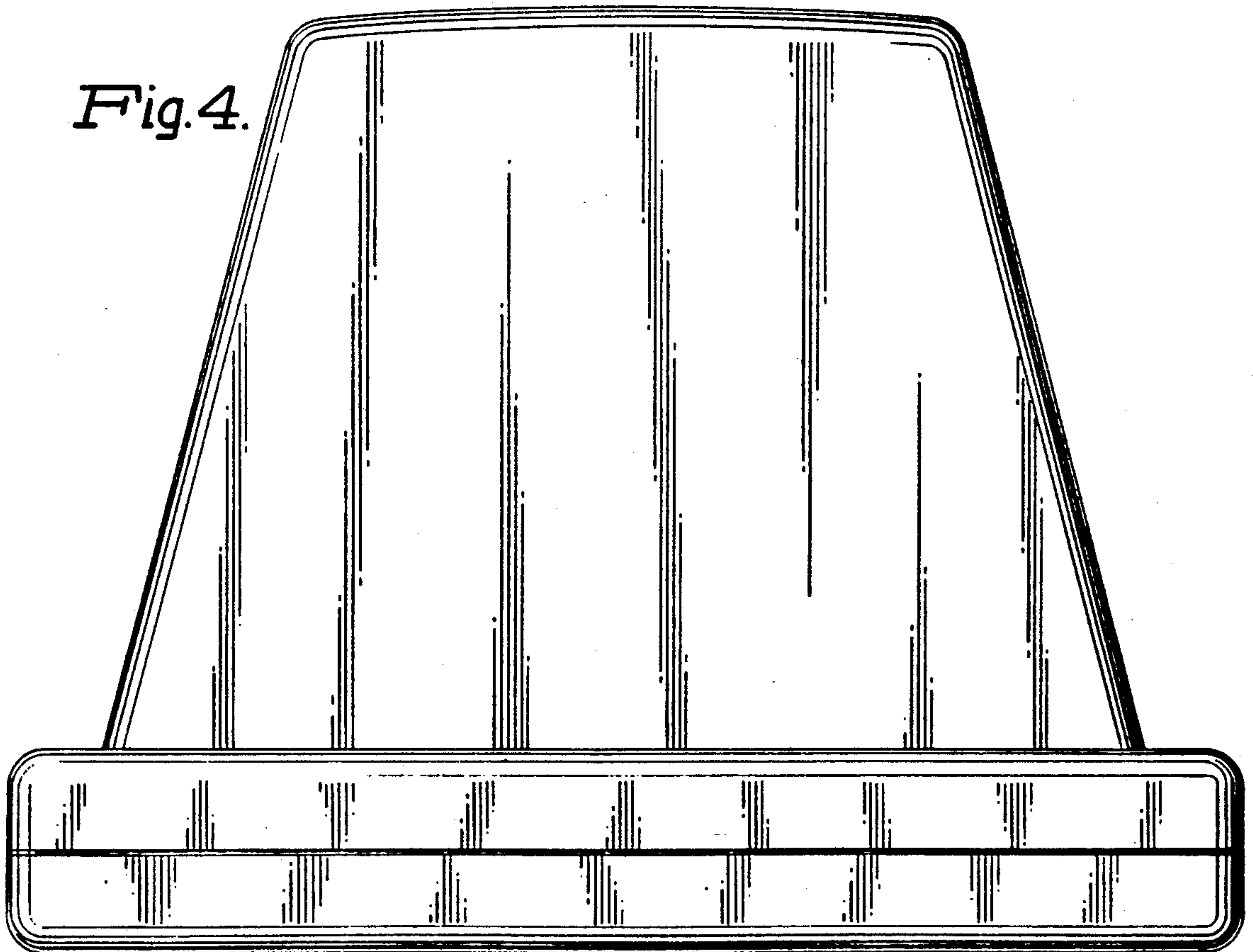


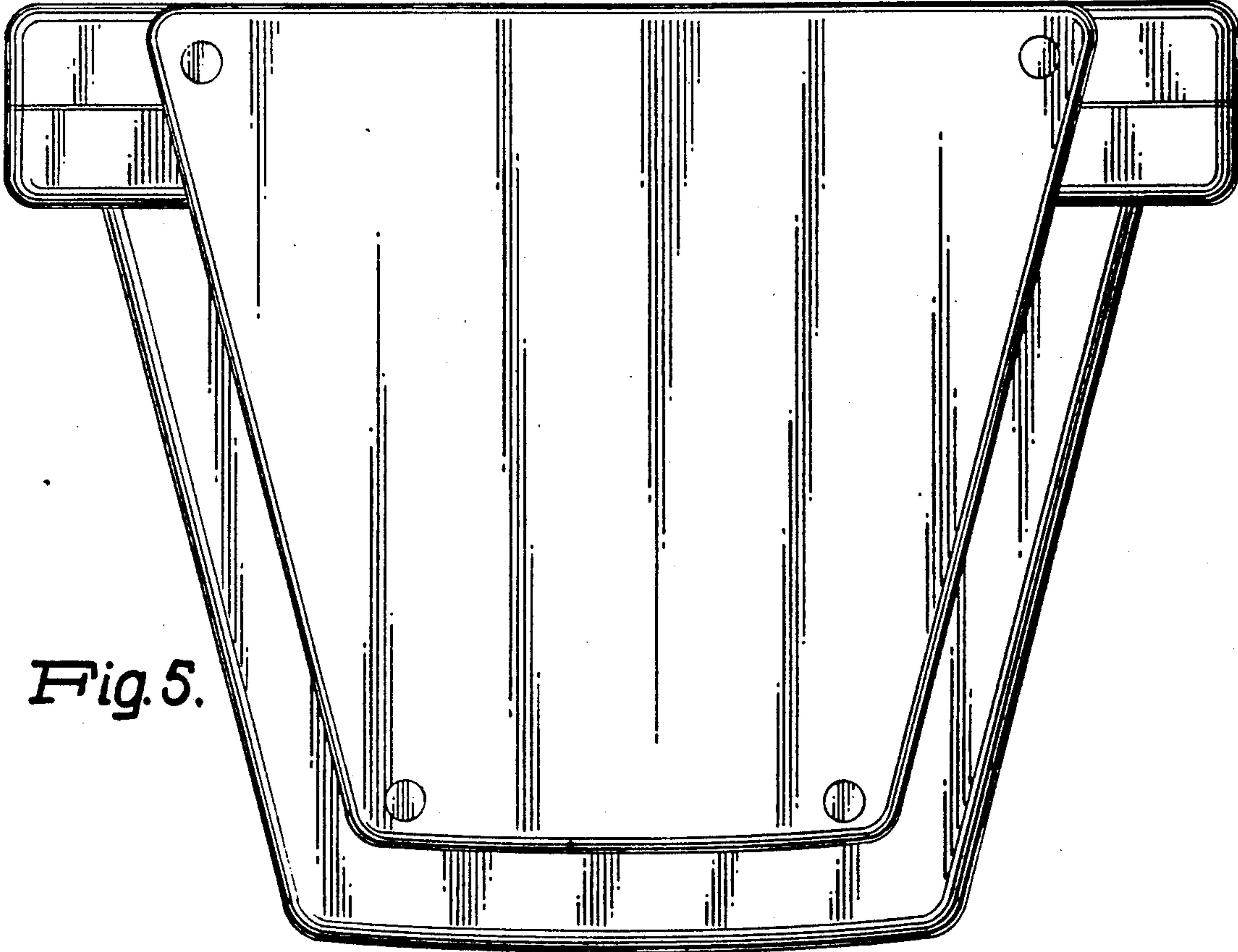


*Fig. 3.*

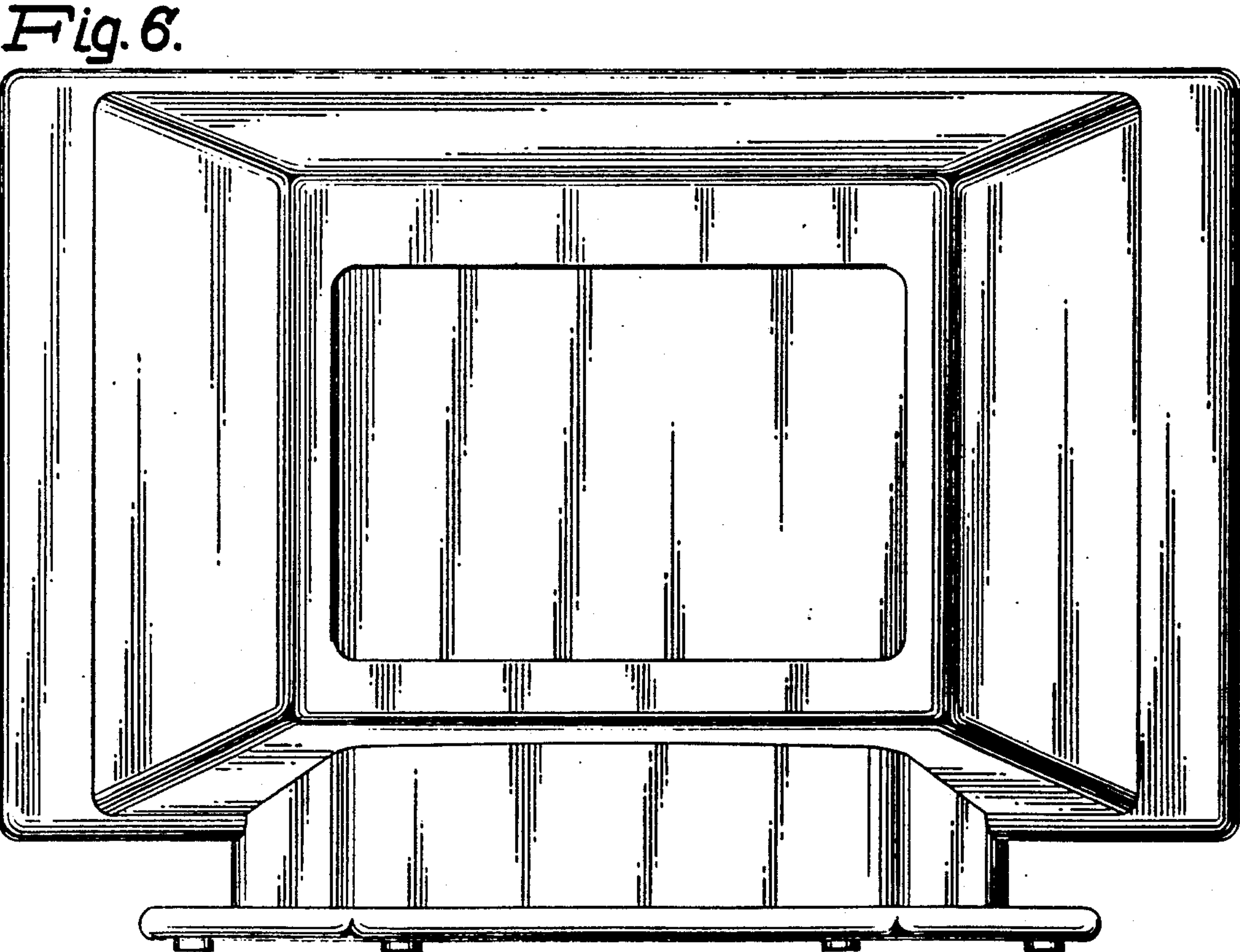


*Fig. 4.*





*Fig. 5.*



*Fig. 6.*