



US00D335664S

# United States Patent [19]

[11] Patent Number: **Des. 335,664**

Morita et al.

[45] Date of Patent: **\*\* May 18, 1993**

[54] **TELEVISION RECEIVER**

[75] Inventors: **Yusuke Morita; Hiroaki Nishiyori,**  
both of Osaka, Japan

[73] Assignee: **Matsushita Electric Industrial Co.,**  
Ltd., Osaka, Japan

[\*\*] Term: **14 Years**

[21] Appl. No.: **639,177**

[22] Filed: **Jan. 8, 1991**

[30] **Foreign Application Priority Data**

Jul. 11, 1990 [JP] Japan ..... 2-23448

[52] U.S. Cl. .... **D14/126**

[58] Field of Search ..... **D14/113, 124-134;**  
**358/60, 237-239, 254-255**

[56] **References Cited**

**U.S. PATENT DOCUMENTS**

D. 298,247 10/1988 Kogane et al. .... **D14/126**

D. 298,323 11/1988 Ariyoshi et al. .... **D14/126**  
D. 299,233 1/1989 Maki et al. .... **D14/126**  
D. 317,600 6/1991 Amano et al. .... **D14/126**  
D. 320,014 9/1991 Sacki et al. .... **D14/126**

*Primary Examiner*—Theodore M. Shooman  
*Attorney, Agent, or Firm*—Sughrue Mion Zinn Macpeak  
& Seas

[57] **CLAIM**

The ornamental design for a television receiver, as shown.

**DESCRIPTION**

FIG. 1 is a front, top and right side perspective view of a television receiver showing our new design; FIG. 2 is a front elevational view thereof; FIG. 3 is a top plan view thereof; FIG. 4 is a left side elevational view thereof; FIG. 5 is a right side elevational view thereof; FIG. 6 is a rear elevational view thereof; and, FIG. 7 is a bottom plan view thereof.

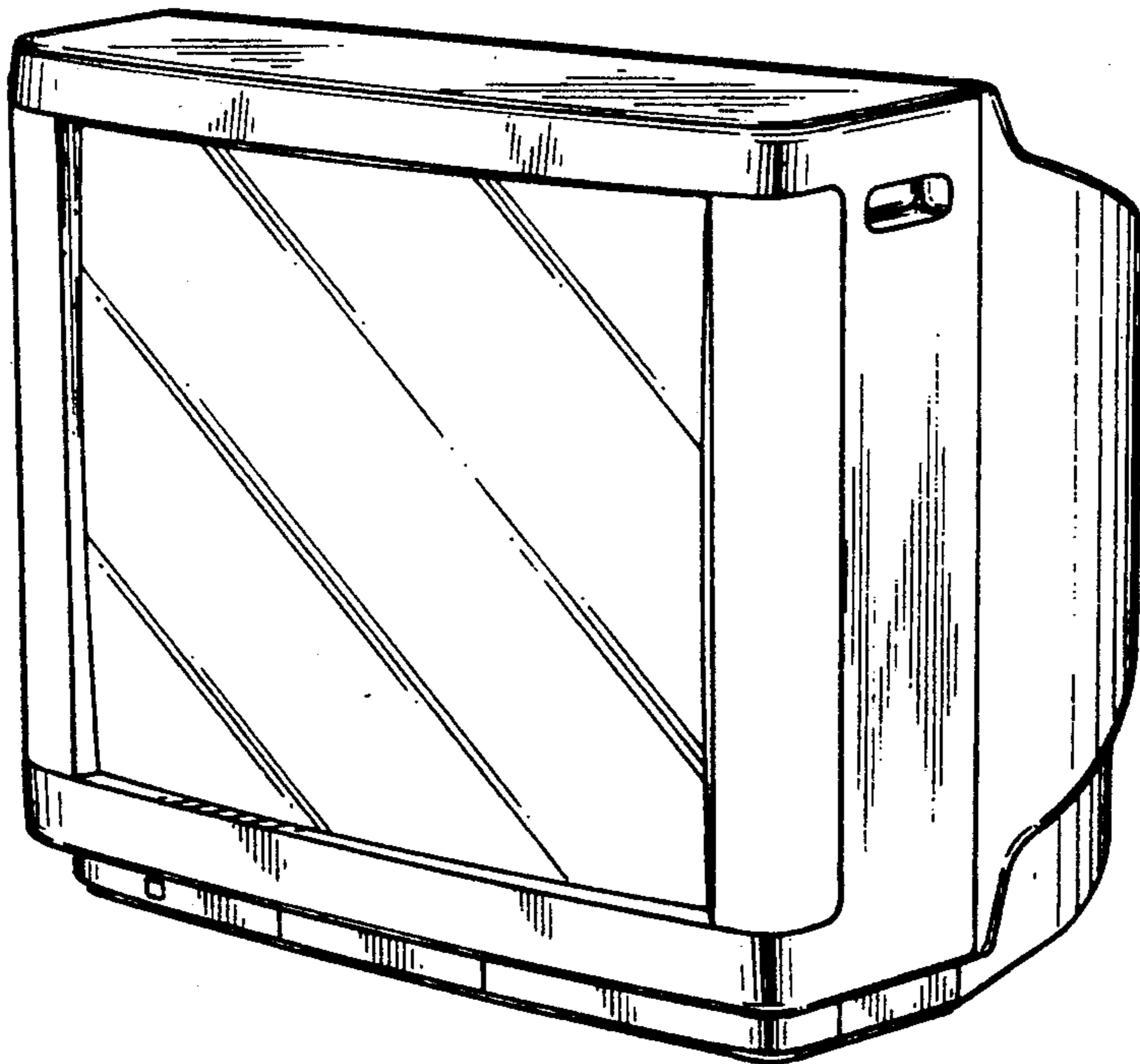


FIG. 1

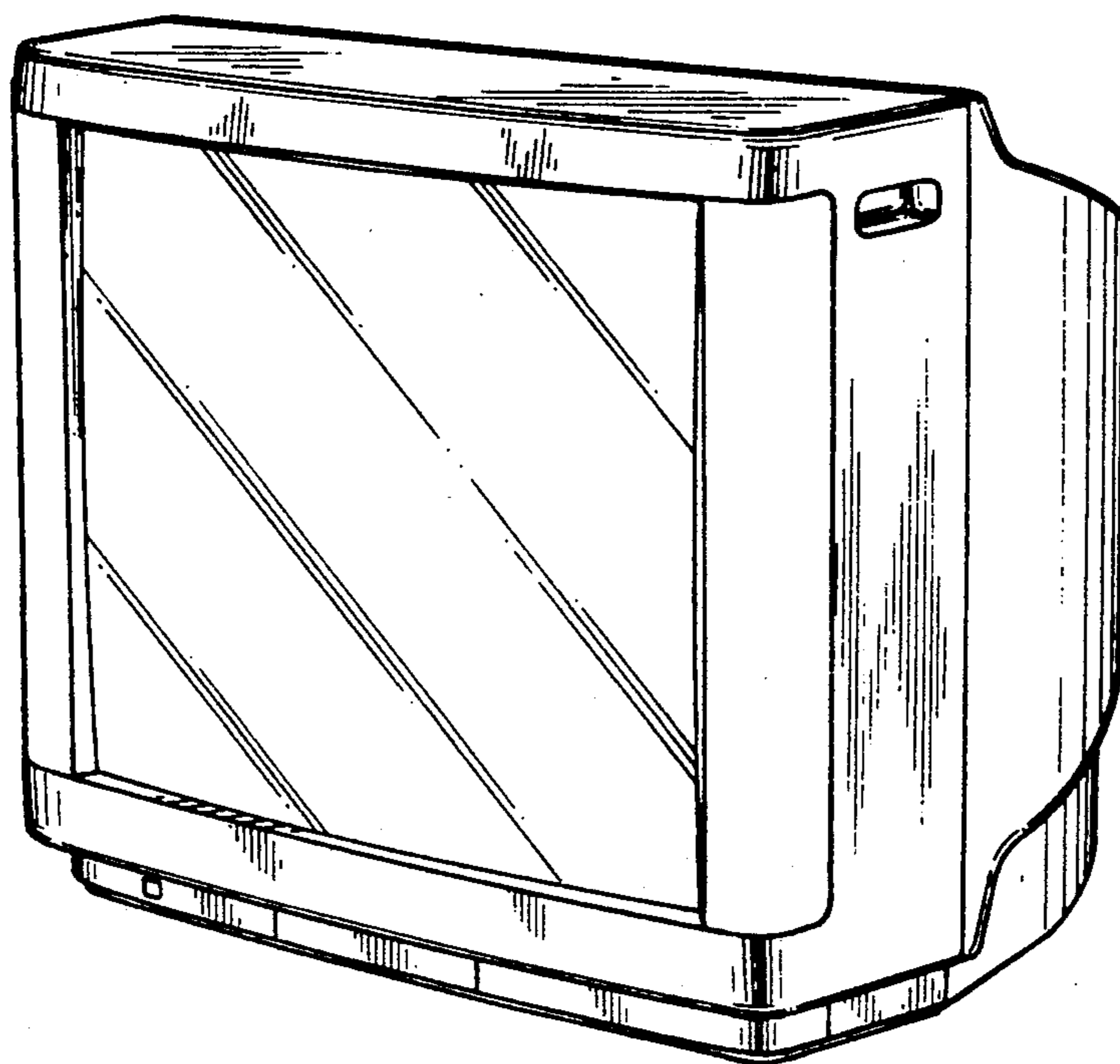
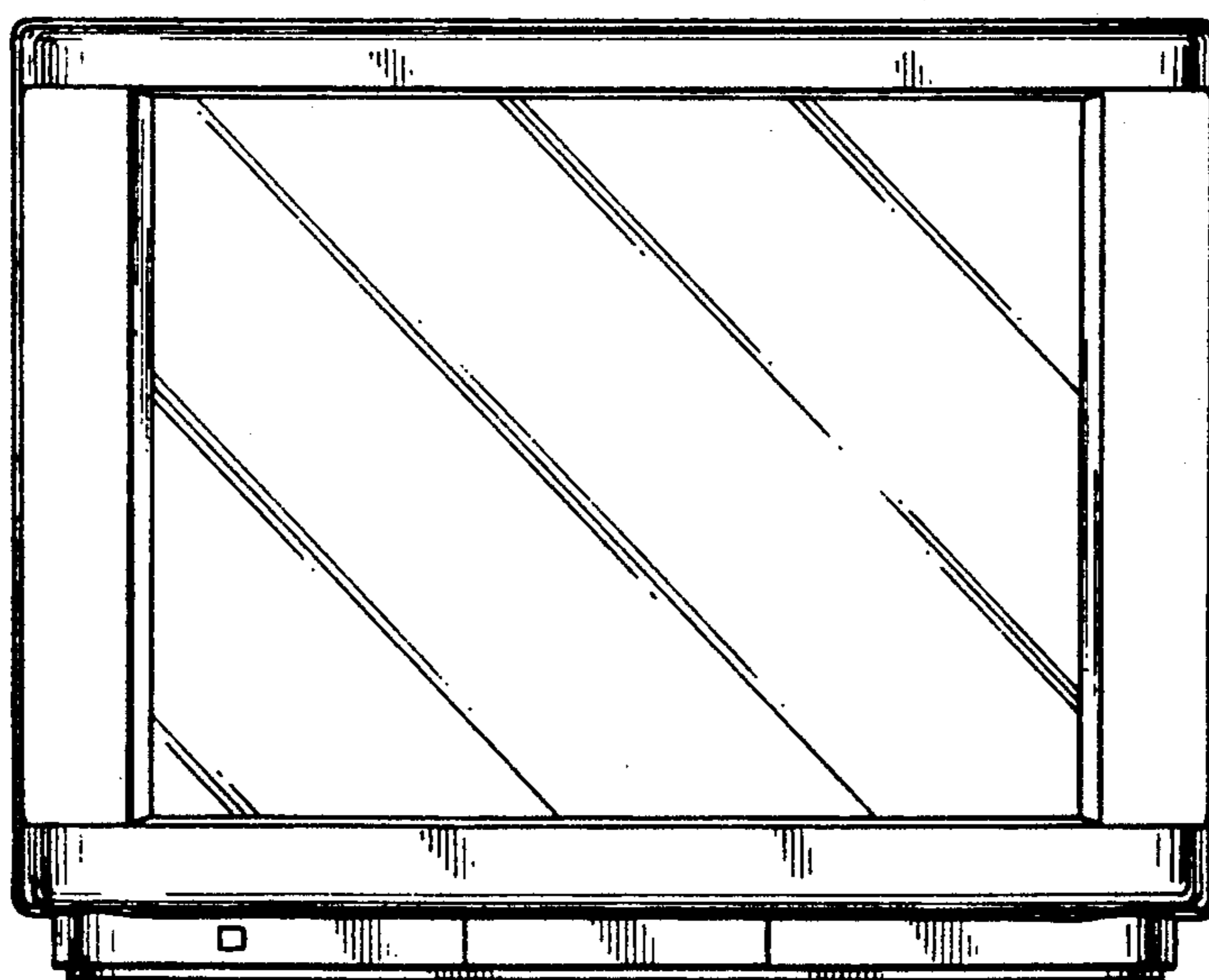
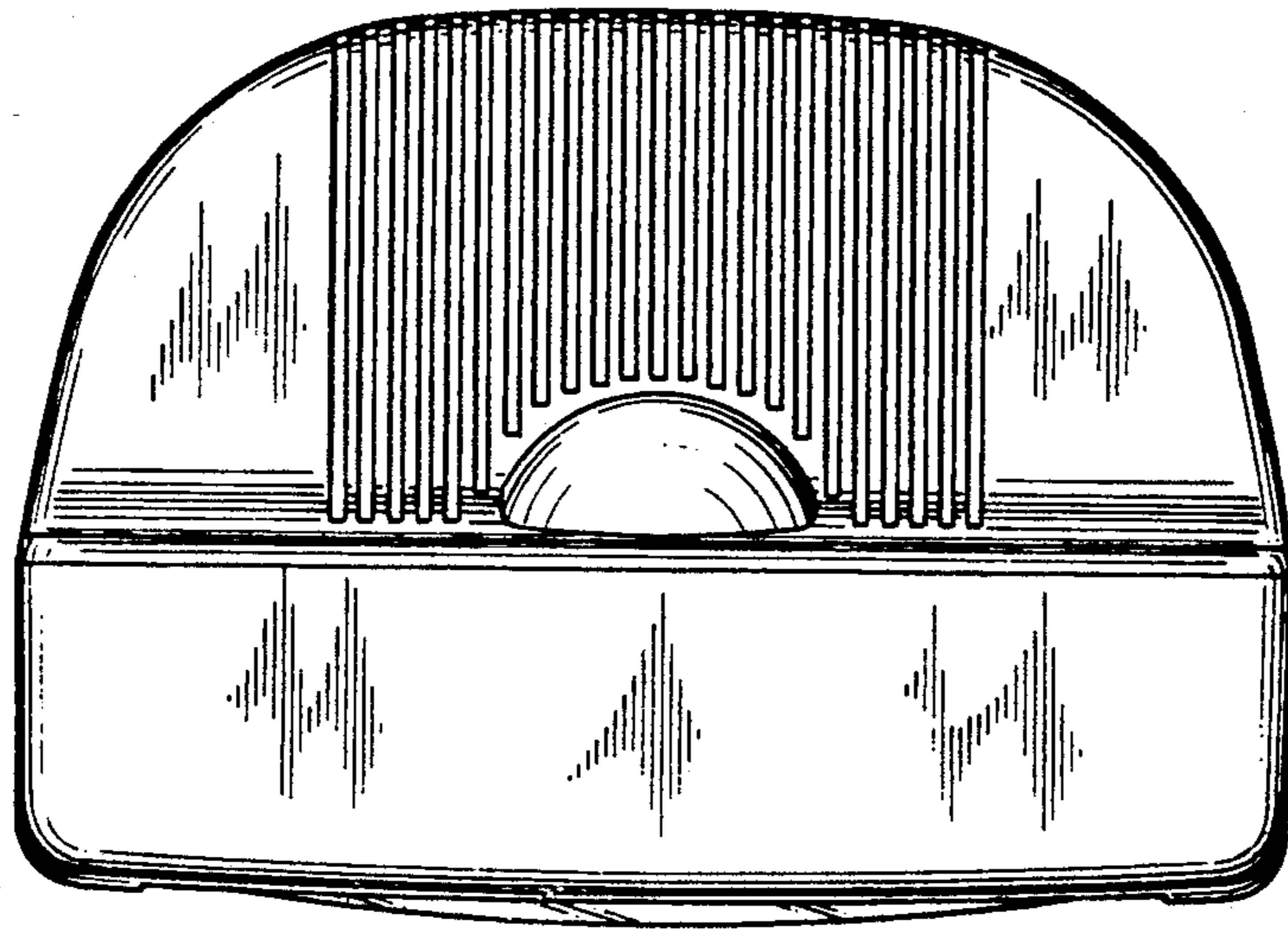


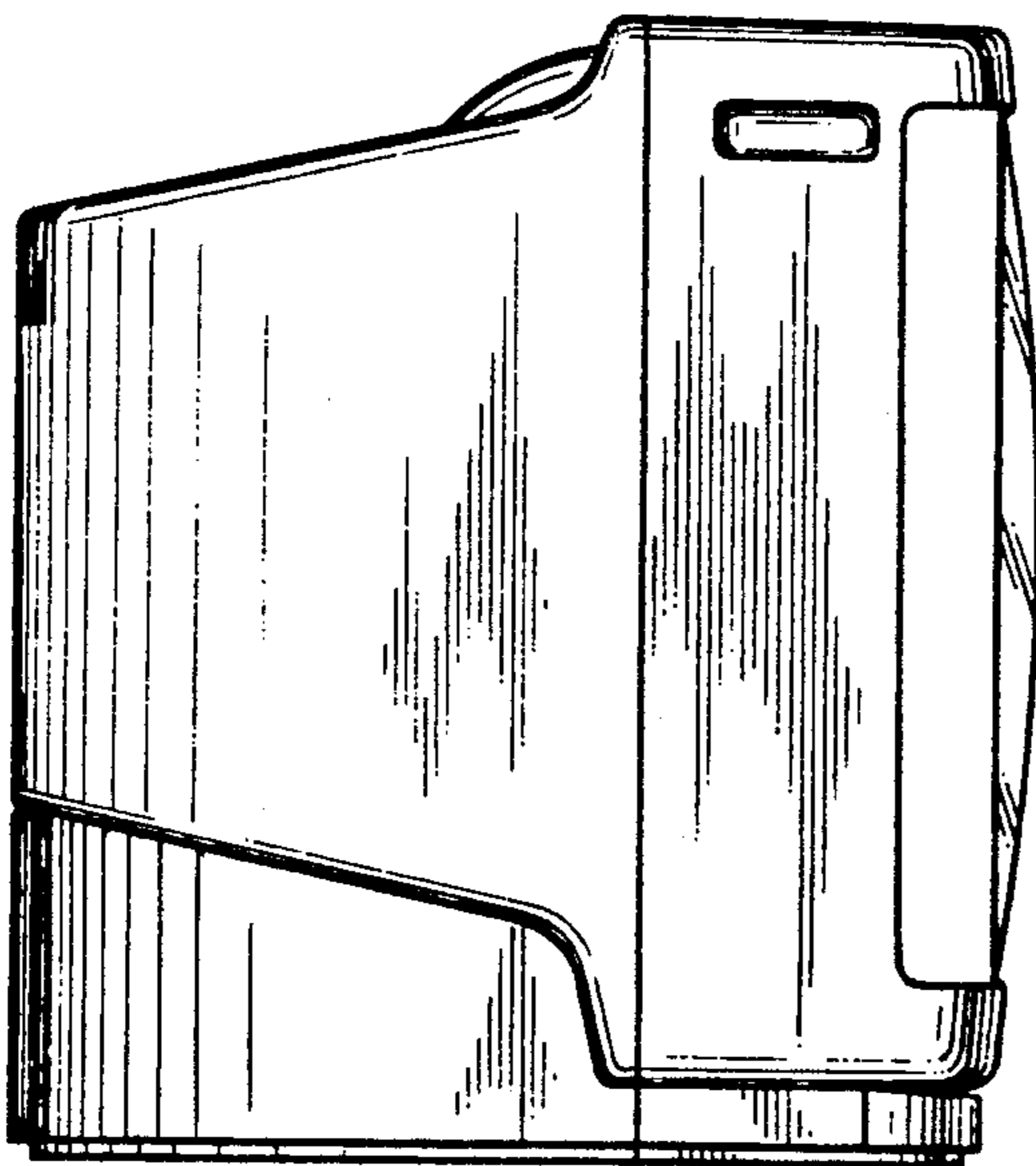
FIG. 2



*FIG. 3*



*FIG. 4*



*FIG. 5*

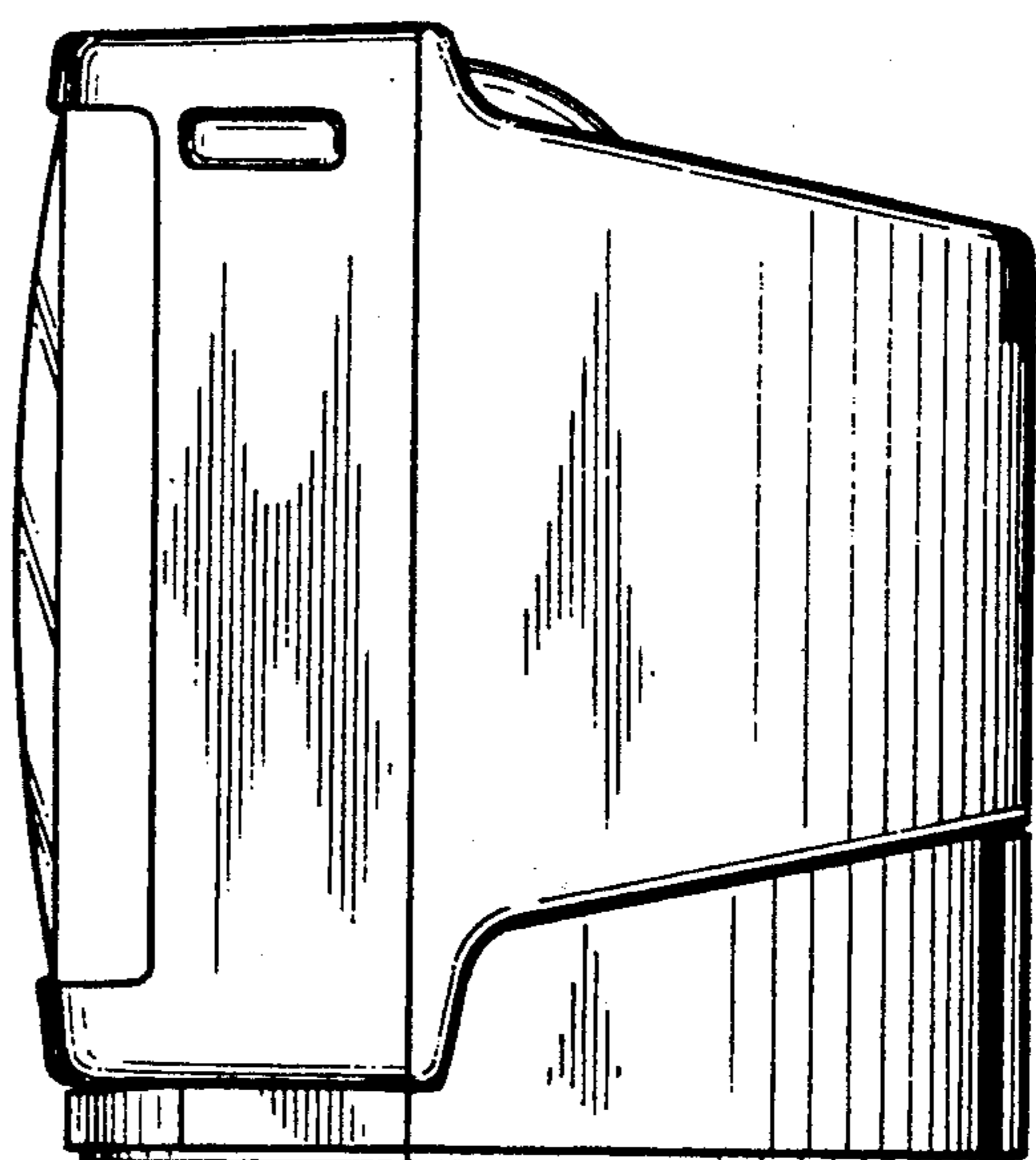


FIG. 6

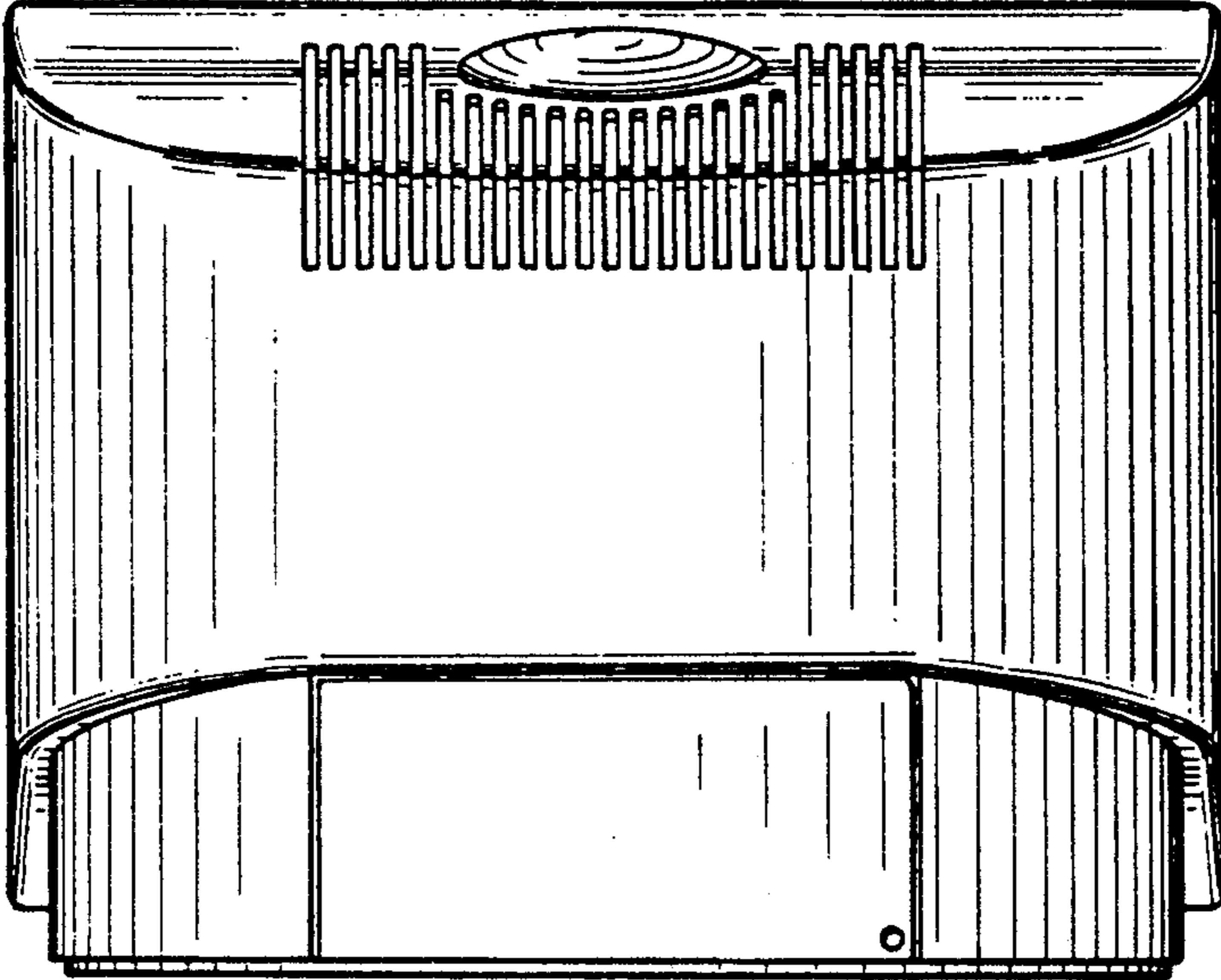


FIG. 7

