



US00D335662S

United States Patent [19]
Shepard

[11] **Patent Number: Des. 335,662**
[45] **Date of Patent: ** May 18, 1993**

[54] **OPTICAL SCANNER**

- [75] **Inventor: Howard M. Shepard, Great Neck, N.Y.**
- [73] **Assignee: Symbol Technologies, Inc., Bohemia, N.Y.**
- [**] **Term: 14 Years**
- [21] **Appl. No.: 767,606**
- [22] **Filed: Sep. 30, 1991**
- [52] **U.S. Cl. D14/116**
- [58] **Field of Search D14/114, 116; 235/454, 235/462, 472, 486; 354/80-82; 250/203.1, 216, 566, 568; D26/37-45, 50**

[56] **References Cited**

U.S. PATENT DOCUMENTS

- D. 305,885 2/1990 Barkan et al. D14/116
- D. 327,882 7/1992 George et al. D14/114 X
- 4,766,299 8/1988 Tremey et al. 235/472
- 4,954,817 9/1990 Levine D14/114 X
- 5,107,100 4/1992 Shepard et al. 235/472

OTHER PUBLICATIONS

Softwarehouse items; handscanners, p. 31, Winter '89-'90.

Primary Examiner—Wallace R. Burke
Assistant Examiner—M. H. Tung

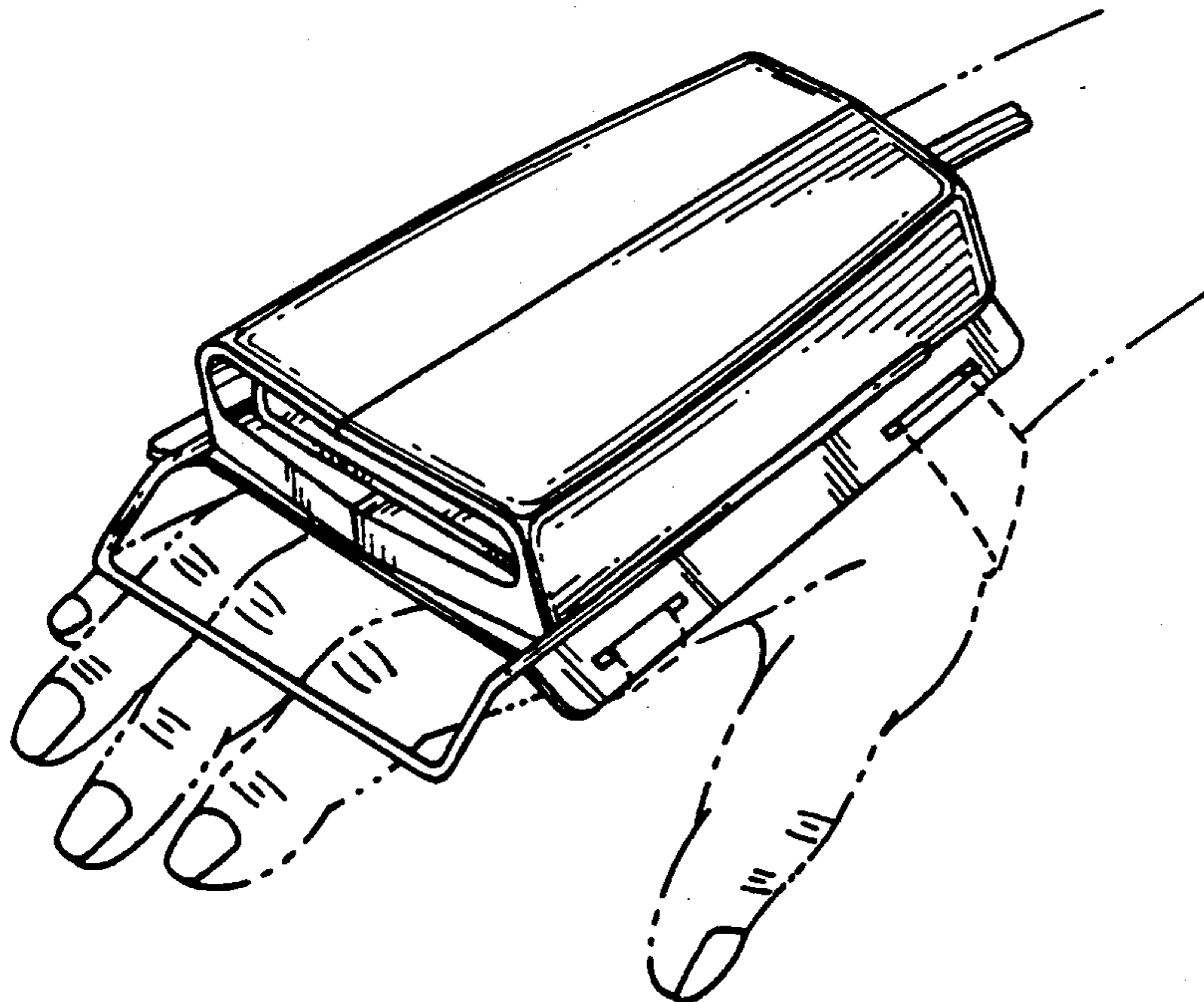
[57] **CLAIM**

The ornamental design for a optical scanner, as shown and described.

DESCRIPTION

FIG. 1 is a top, front, left side perspective view of an optical scanner showing my new design;
 FIG. 2 is an enlarged front elevational view thereof;
 FIG. 3 is an enlarged right side elevational view thereof;
 FIG. 4 is an enlarged rear elevational view thereof;
 FIG. 5 is an enlarged bottom plan view thereof;
 FIG. 6 is an enlarged left side elevational view thereof;
 and,
 FIG. 7 is an enlarged top plan view thereof.

The broken line drawings of a hand and a hand strap in the drawing disclosure are for illustrative purposes only and form no part of the claimed design. The broken line drawing of a hand strap in FIGS. 5 and 7 is partially shown for clarity of illustration.



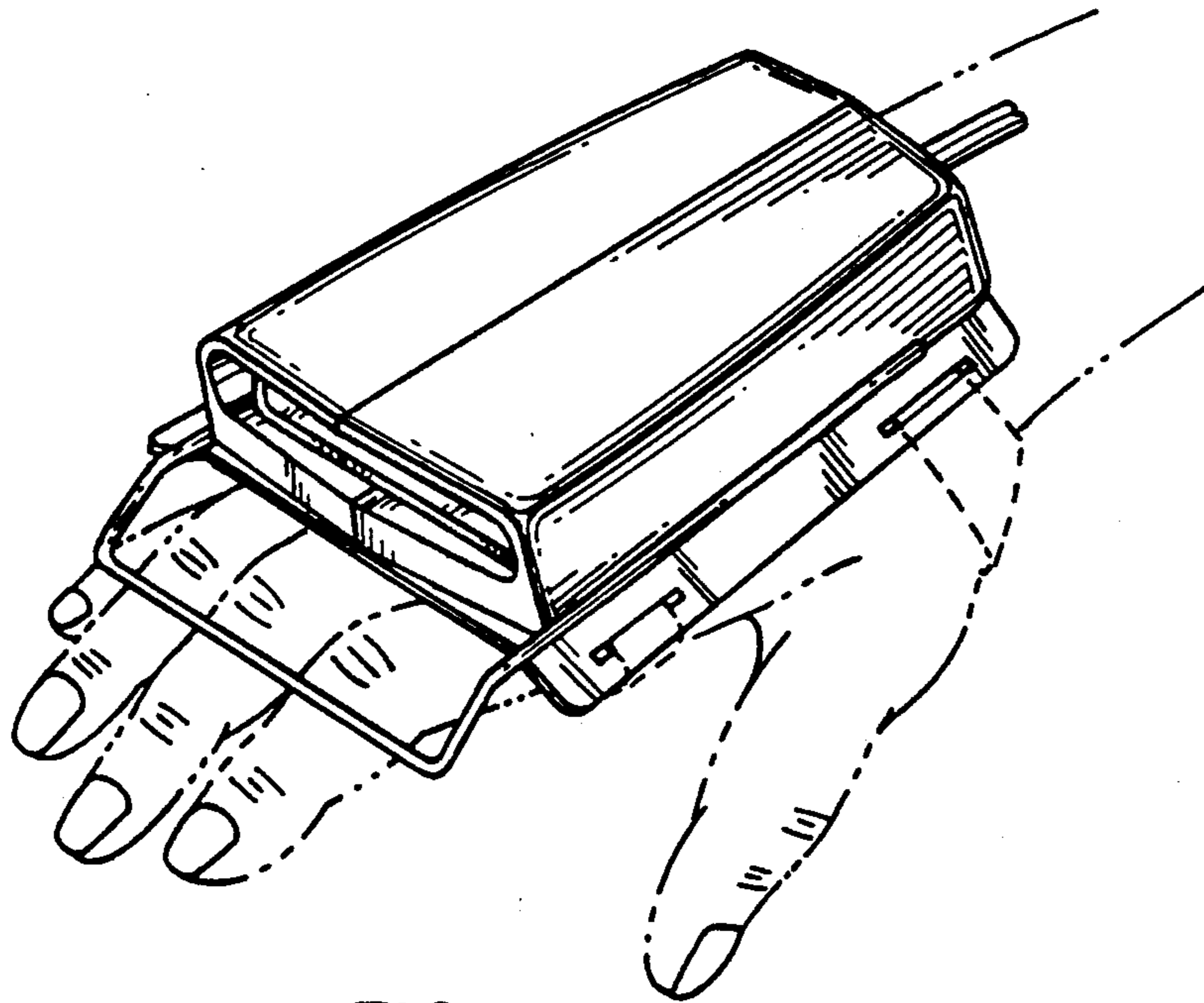


FIG. 1

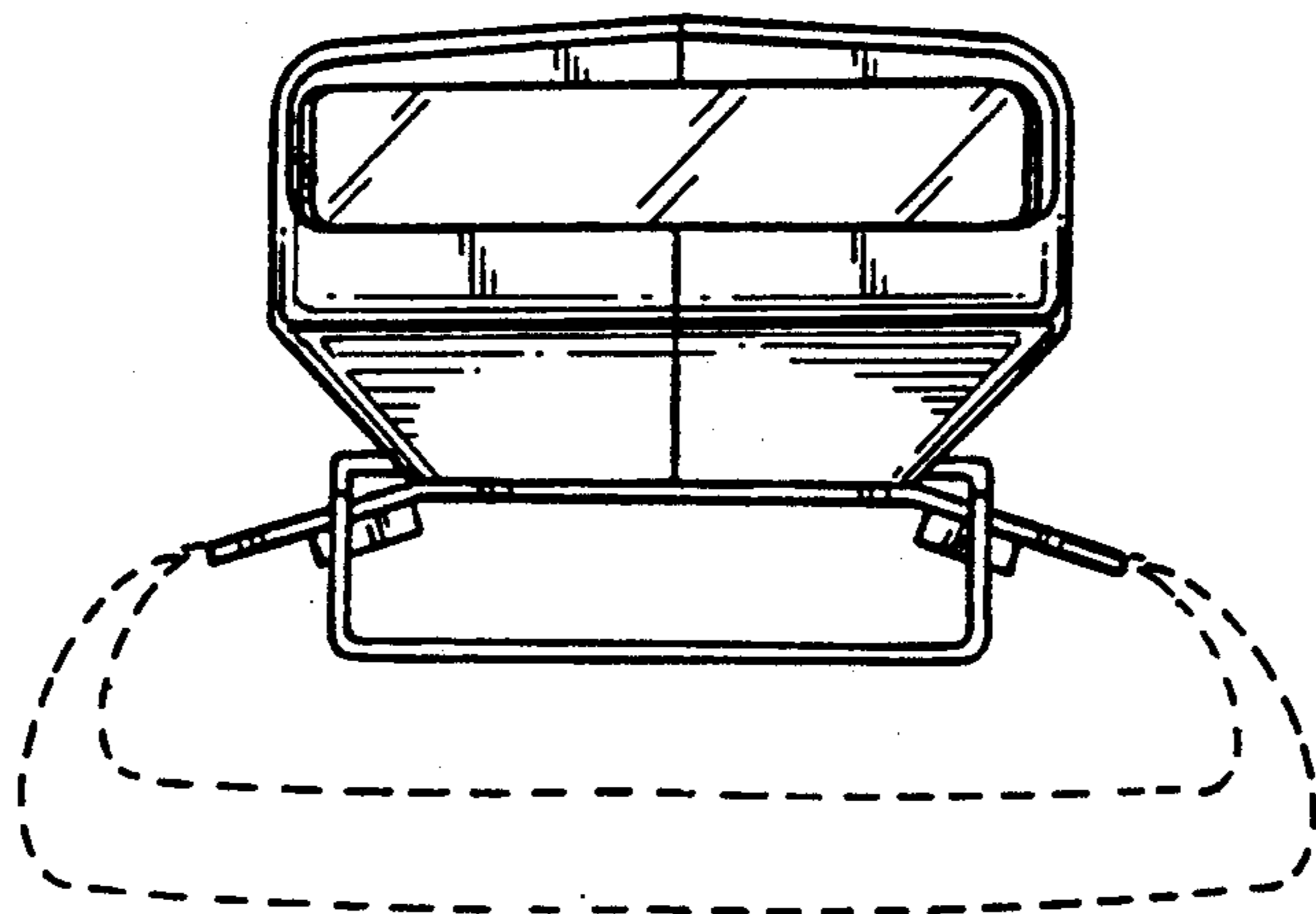


FIG. 2

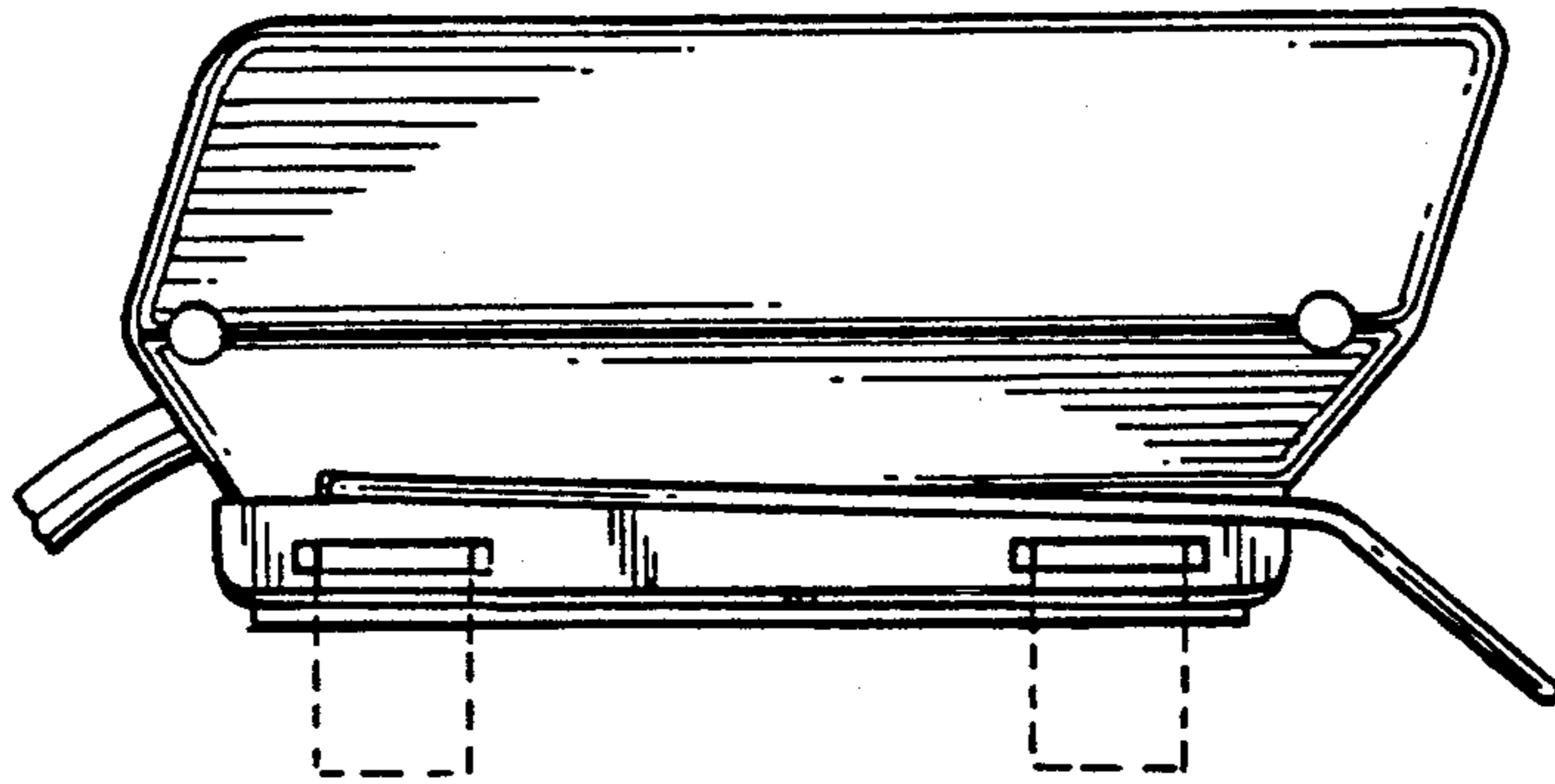


FIG. 3

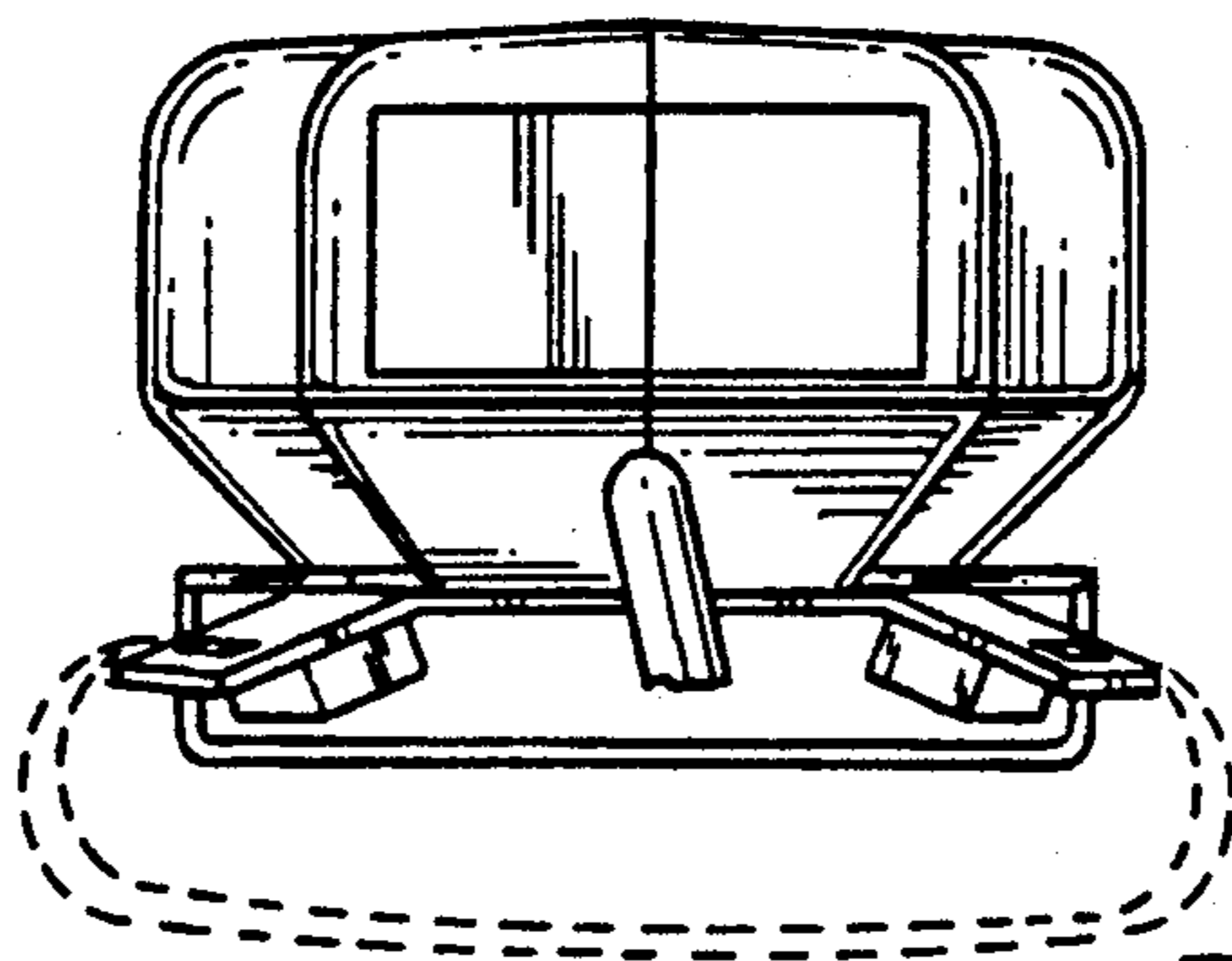


FIG. 4

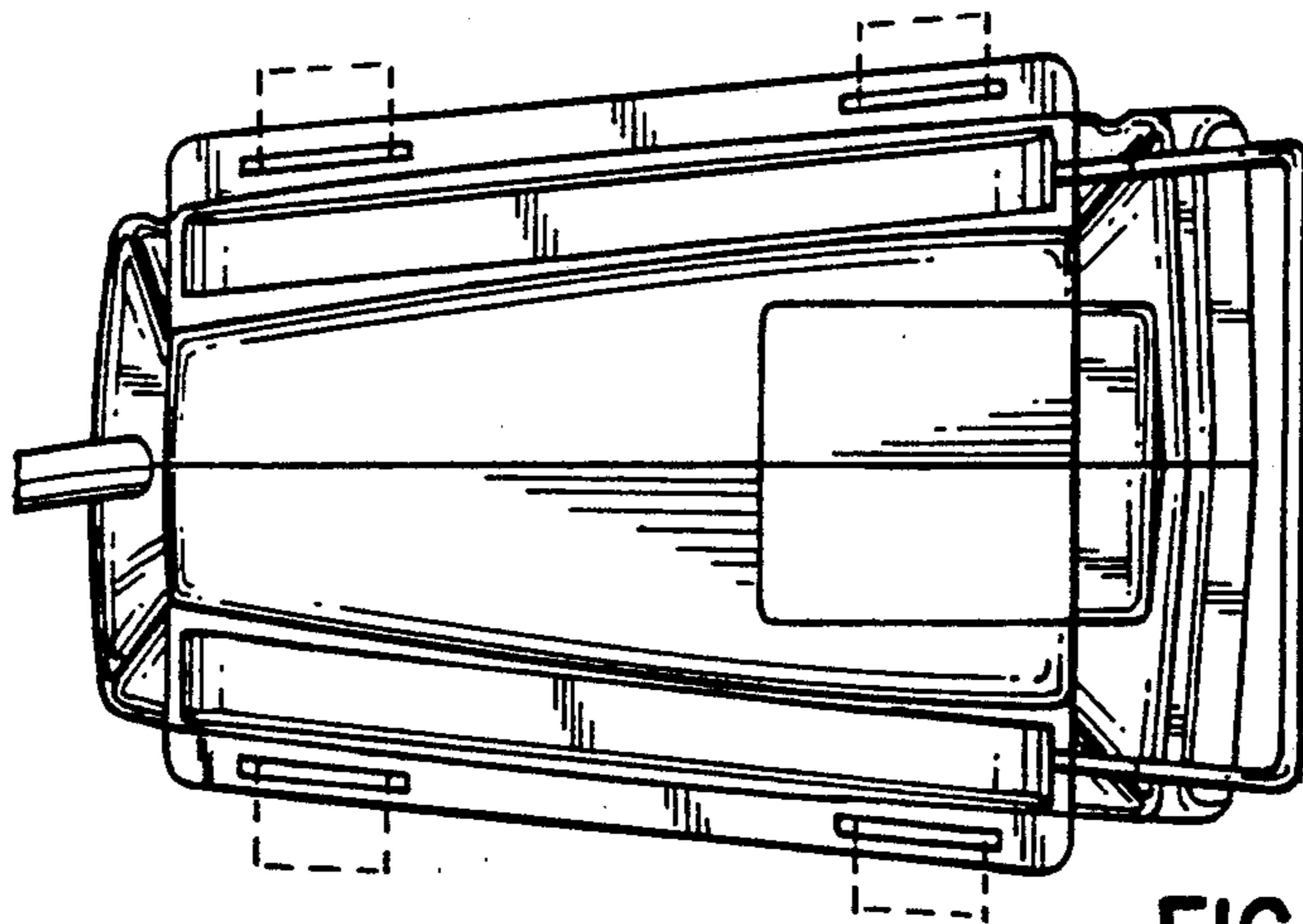


FIG. 5

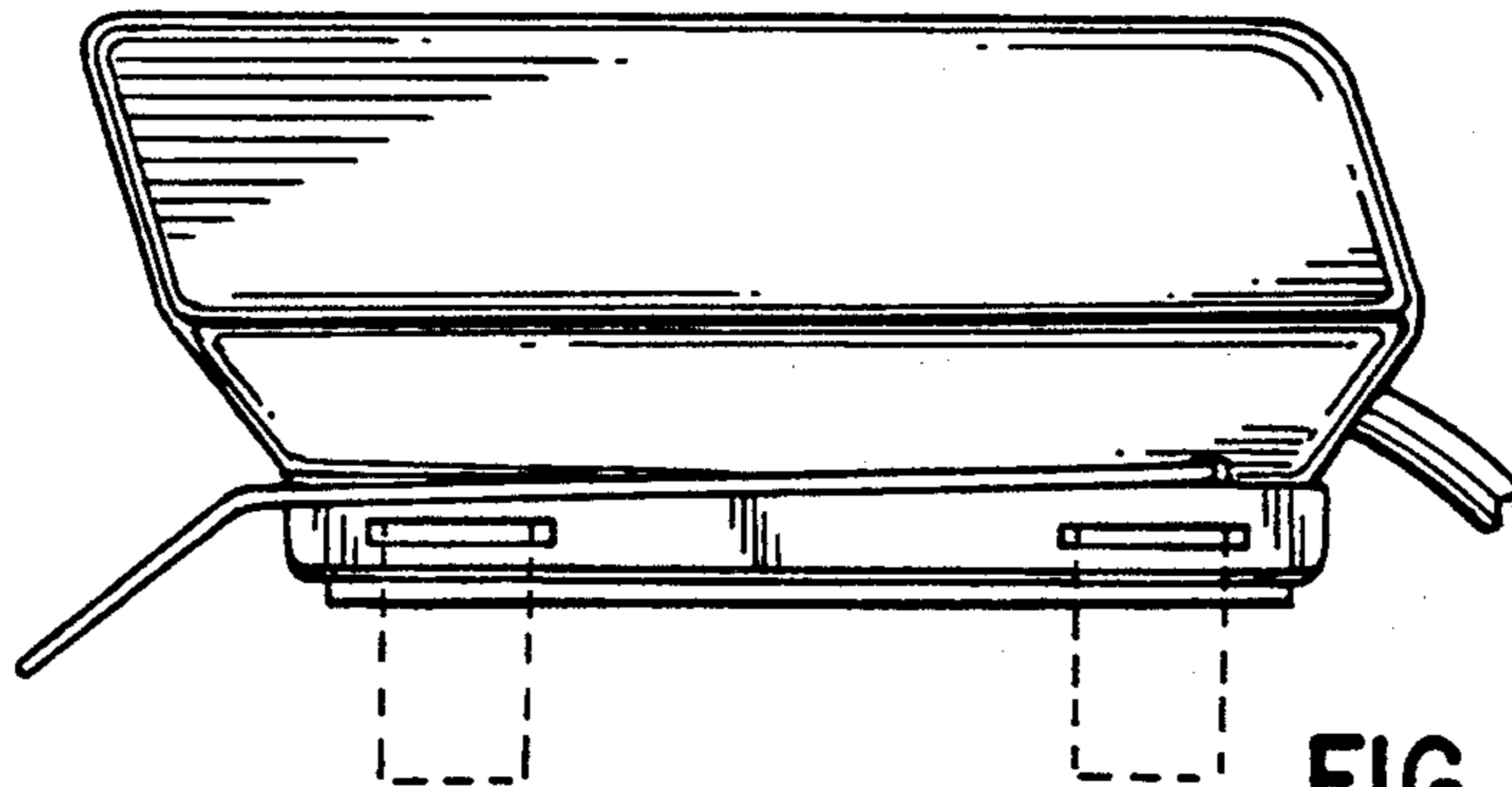


FIG. 6

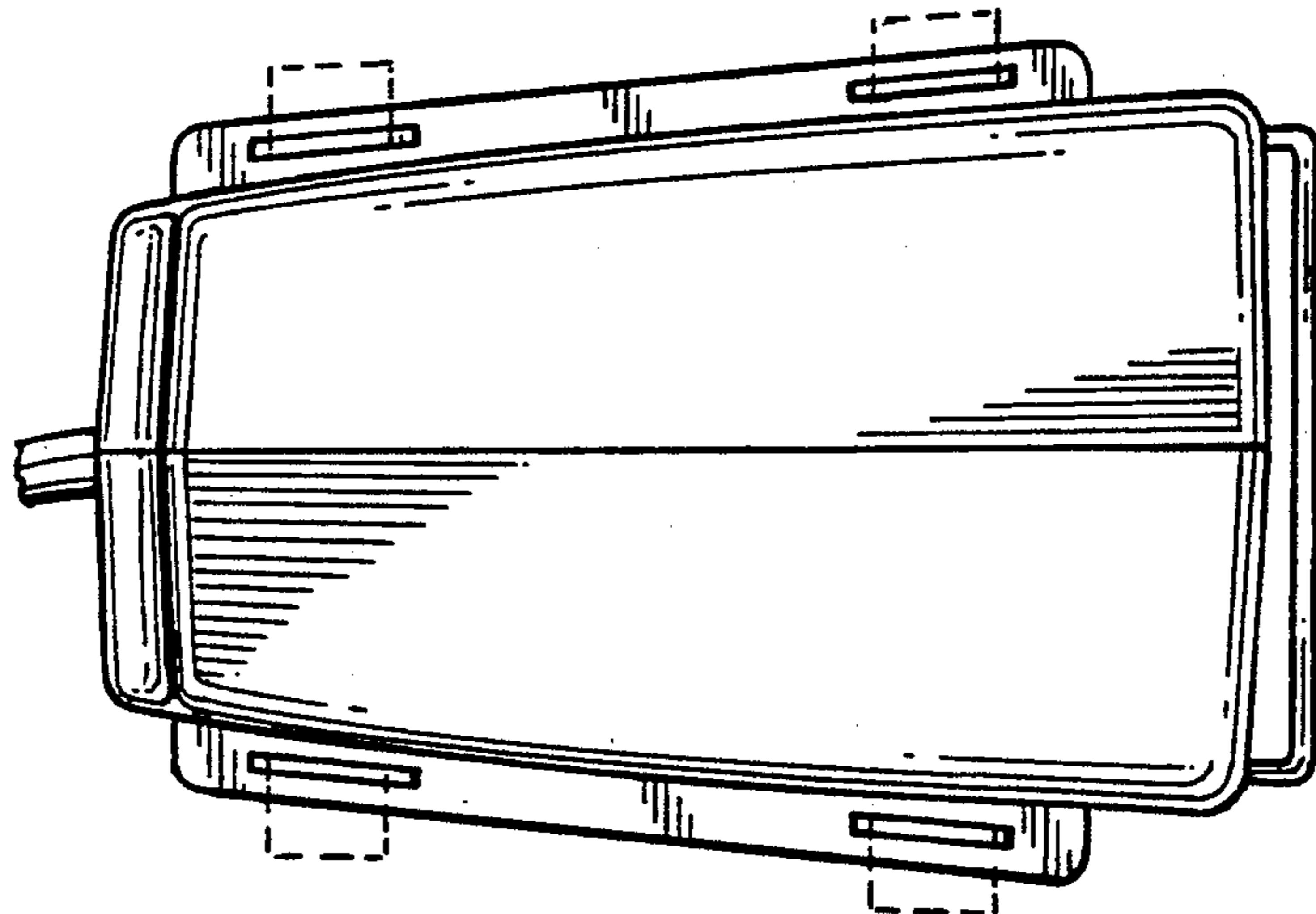


FIG. 7