



US00D335661S

United States Patent [19]

[11] Patent Number: **Des. 335,661**

Shepard

[45] Date of Patent: **** May 18, 1993**

[54] OPTICAL SCANNER

[75] Inventor: **Howard M. Shepard**, Great Neck, N.Y.

[73] Assignee: **Symbol Technologies, Inc.**, Bohemia, N.Y.

[**] Term: **14 Years**

[21] Appl. No.: **767,605**

[22] Filed: **Sep. 30, 1991**

[52] U.S. Cl. **D14/116**

[58] Field of Search **D14/114, 116; 235/454, 235/462, 472, 486; 354/80.2; 250/203.1, 216, 566, 568; D26/37, 45, 50**

[56] References Cited

U.S. PATENT DOCUMENTS

D. 305,885	2/1990	Barkan et al.	D14/116
D. 327,882	7/1992	George et al.	D14/114 X
4,766,299	8/1988	Tierney et al.	235/472
4,954,817	9/1990	Levine	D14/114 X
5,107,100	4/1992	Shepard et al.	235/472

OTHER PUBLICATIONS

Softwarehouse items: handscanner, p. 31, Winter '89-'90.

Primary Examiner—Wallace R. Burke

Assistant Examiner—M. H. Tung

[57] CLAIM

The ornamental design for a optical scanner, as shown and described.

DESCRIPTION

FIG. 1 is a top, front, right side perspective view of an optical scanner showing my new design;

FIG. 2 is an enlarged front elevational view thereof;

FIG. 3 is an enlarged right side elevational view thereof;

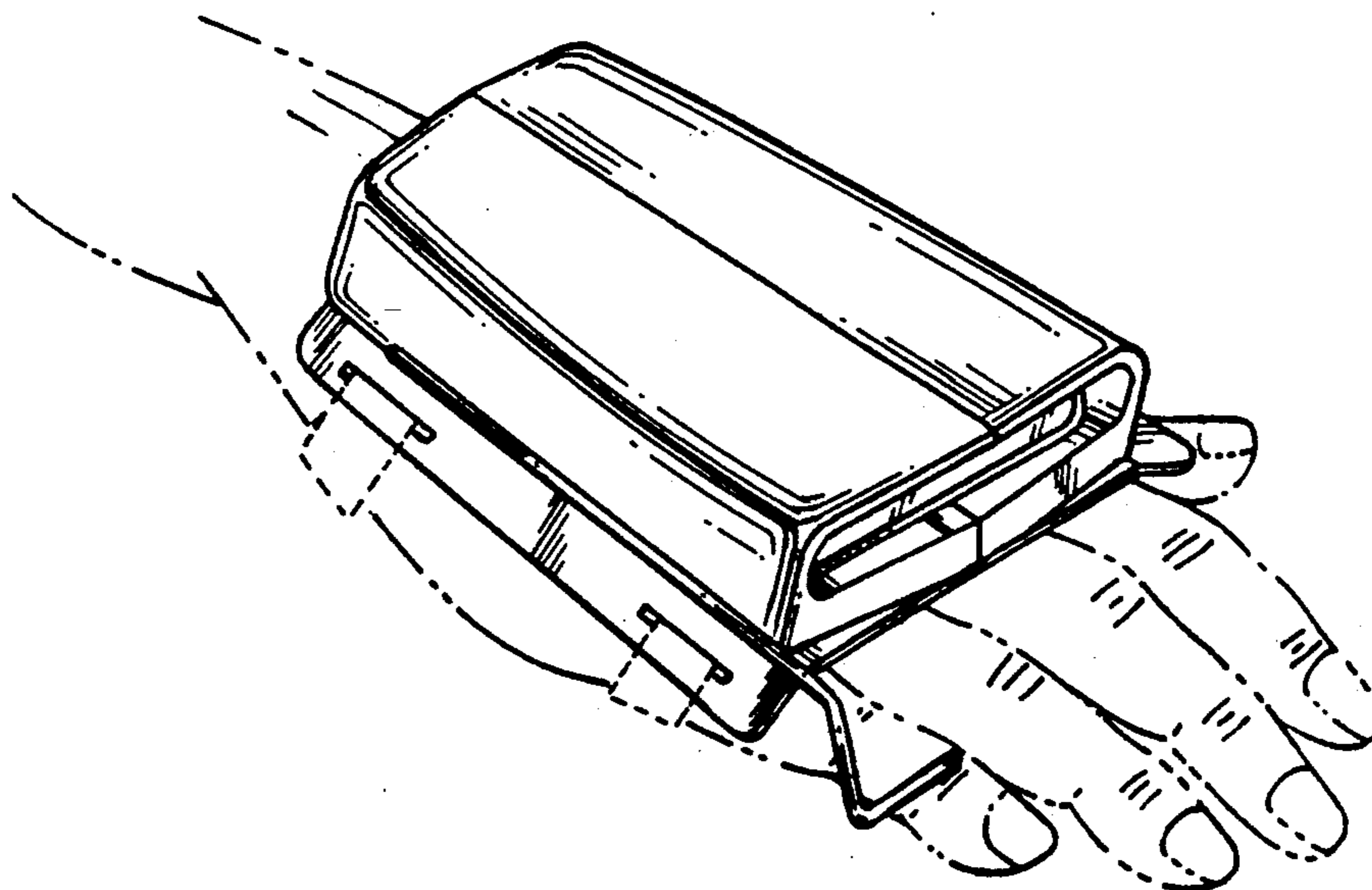
FIG. 4 is an enlarged rear elevational view thereof;

FIG. 5 is an enlarged bottom plan view thereof;

FIG. 6 is an enlarged left side elevational view thereof; and,

FIG. 7 is an enlarged top plan view thereof.

The broken line drawings of a hand and a hand strap in the drawing disclosure are for illustrative purposes only and form no part of the claimed design. The broken line drawing of a hand strap in FIGS. 5 and 7 is partially shown for clarity of illustration.



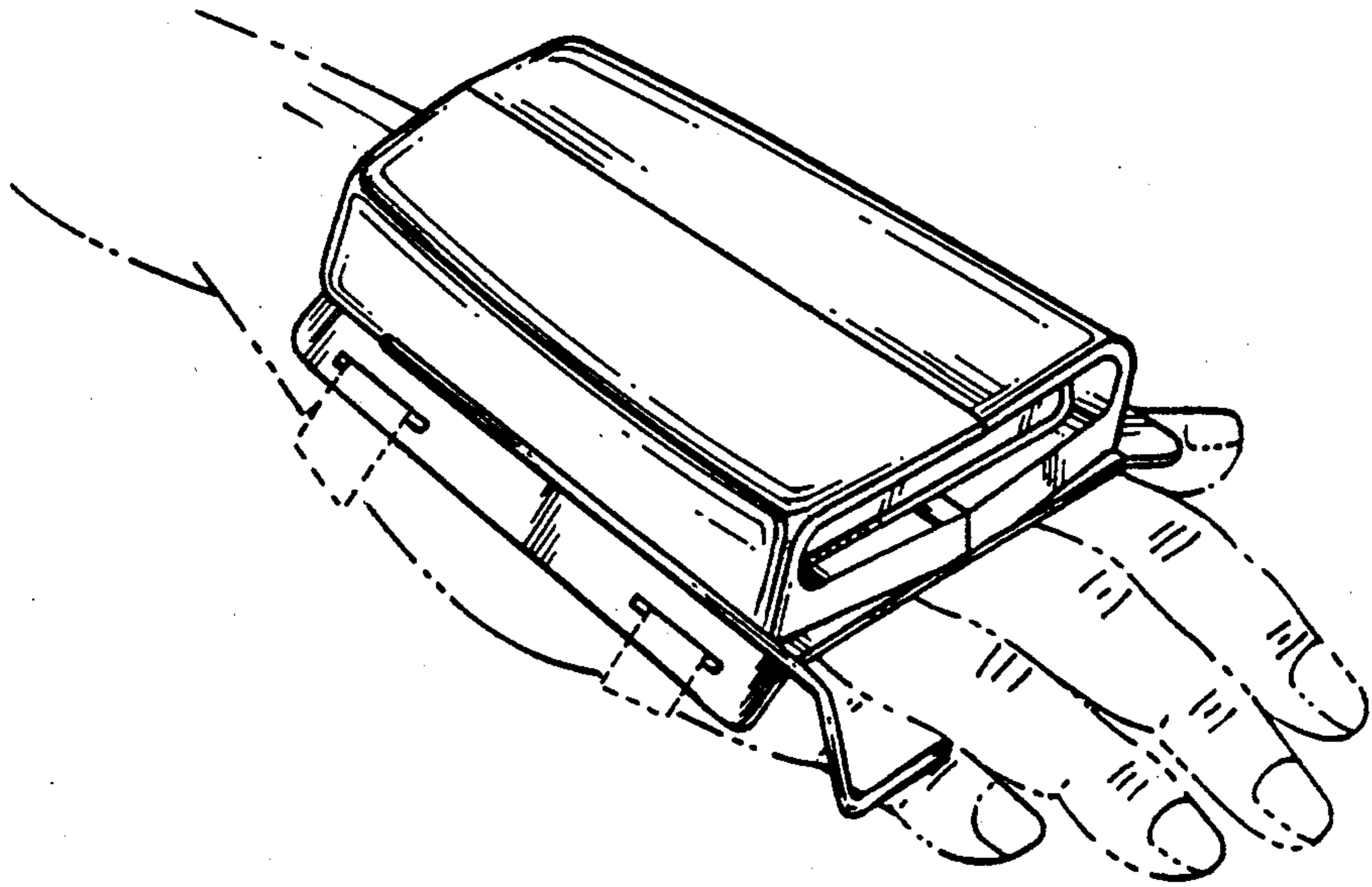


FIG. 1

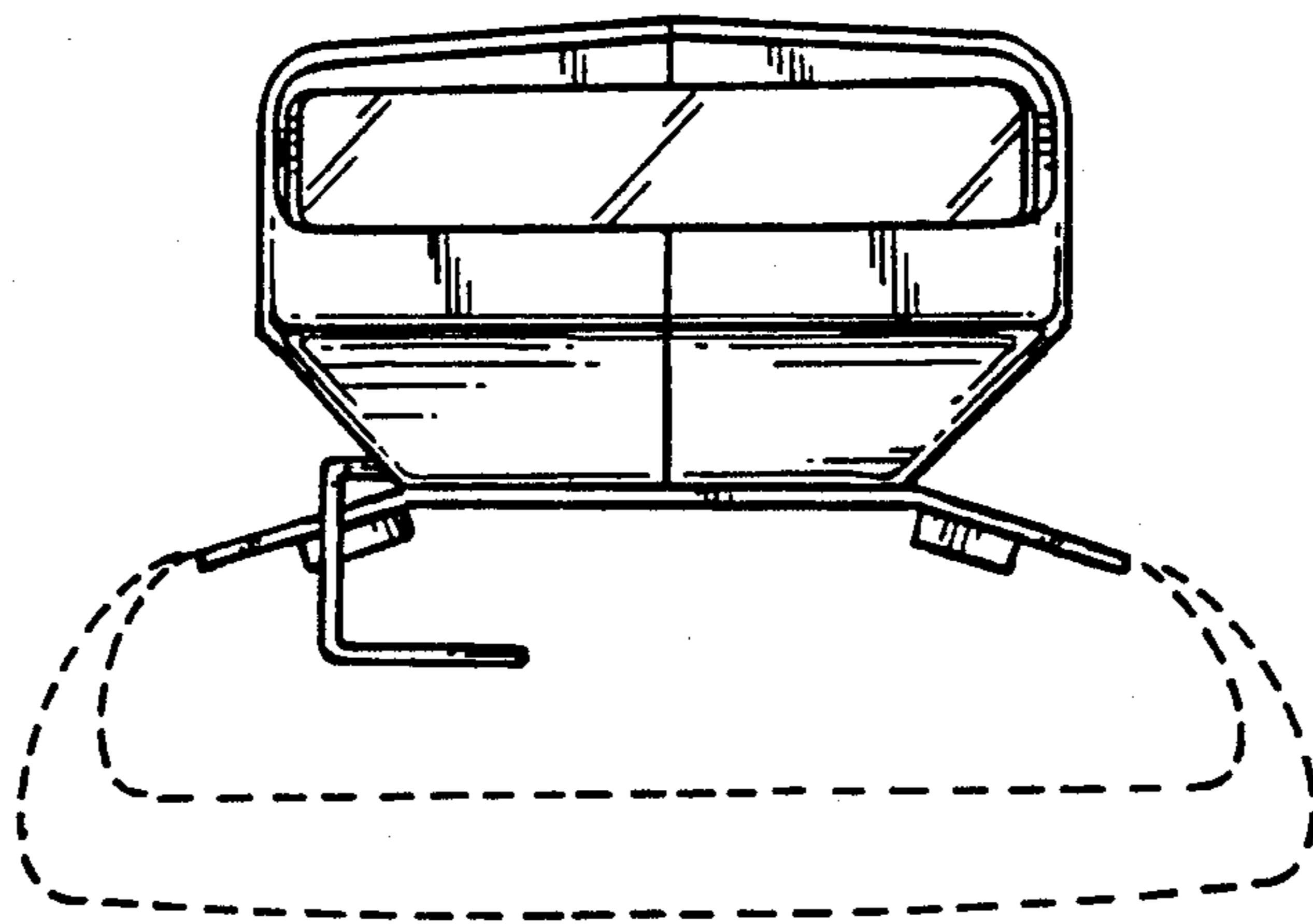


FIG. 2

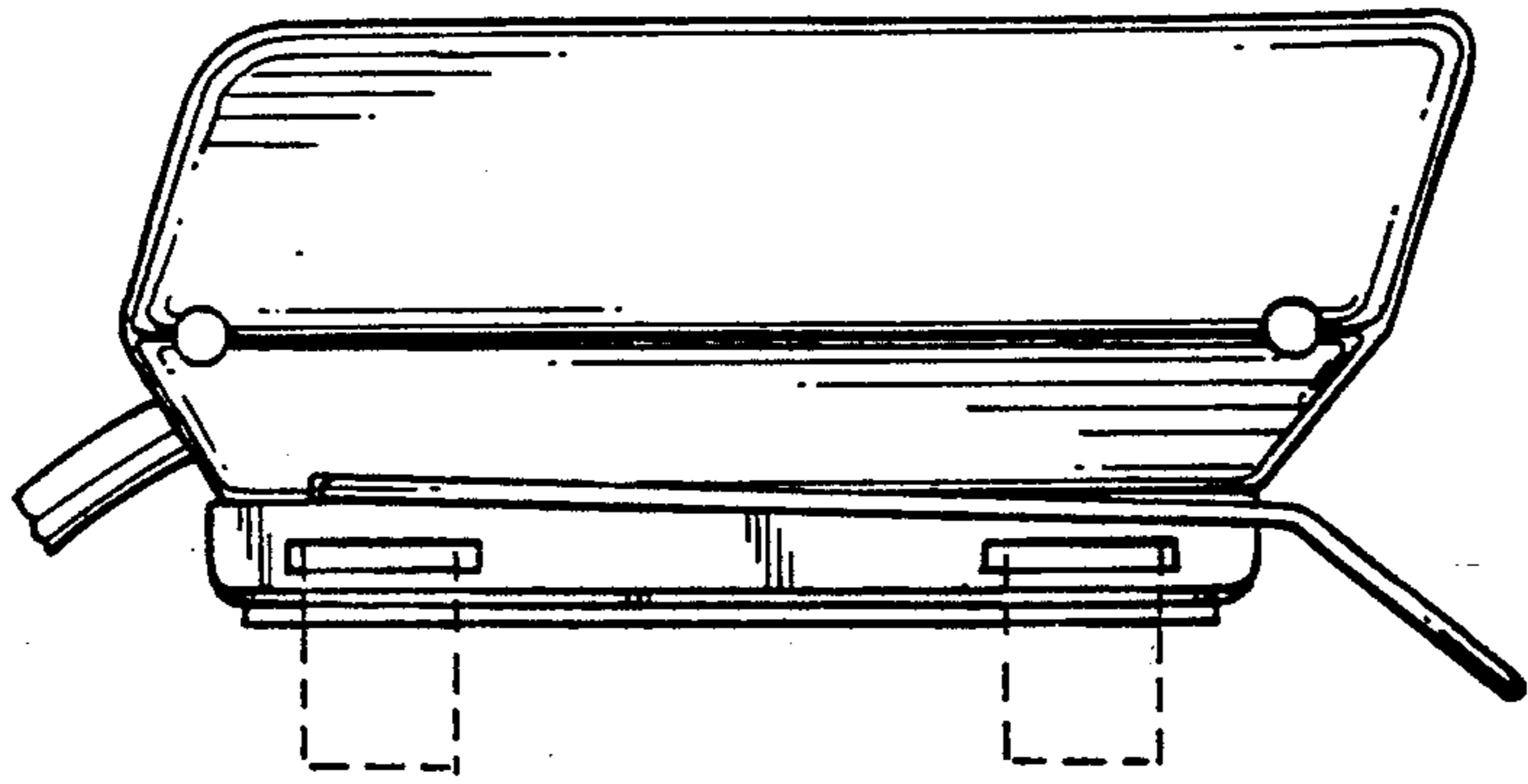


FIG. 3

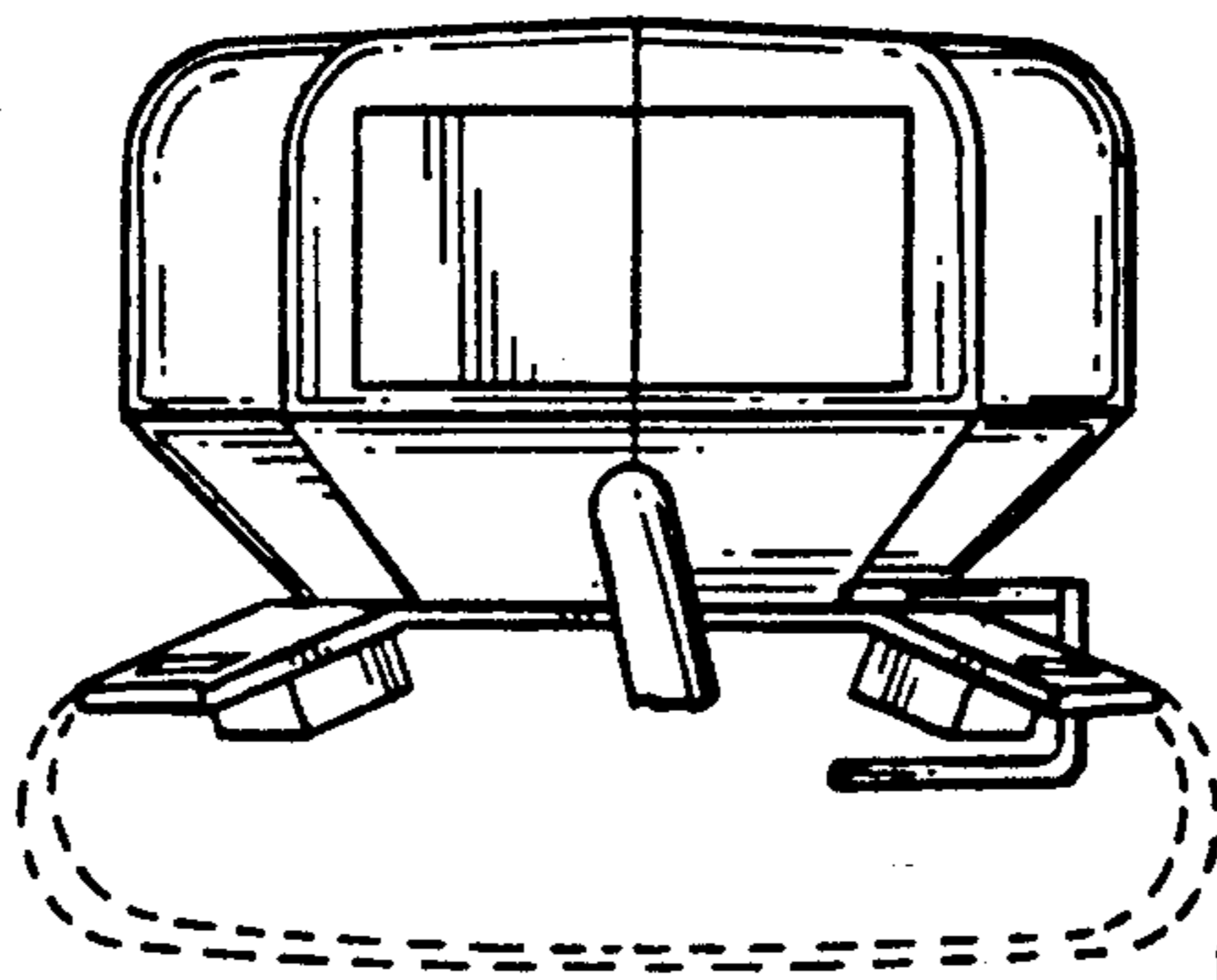


FIG. 4

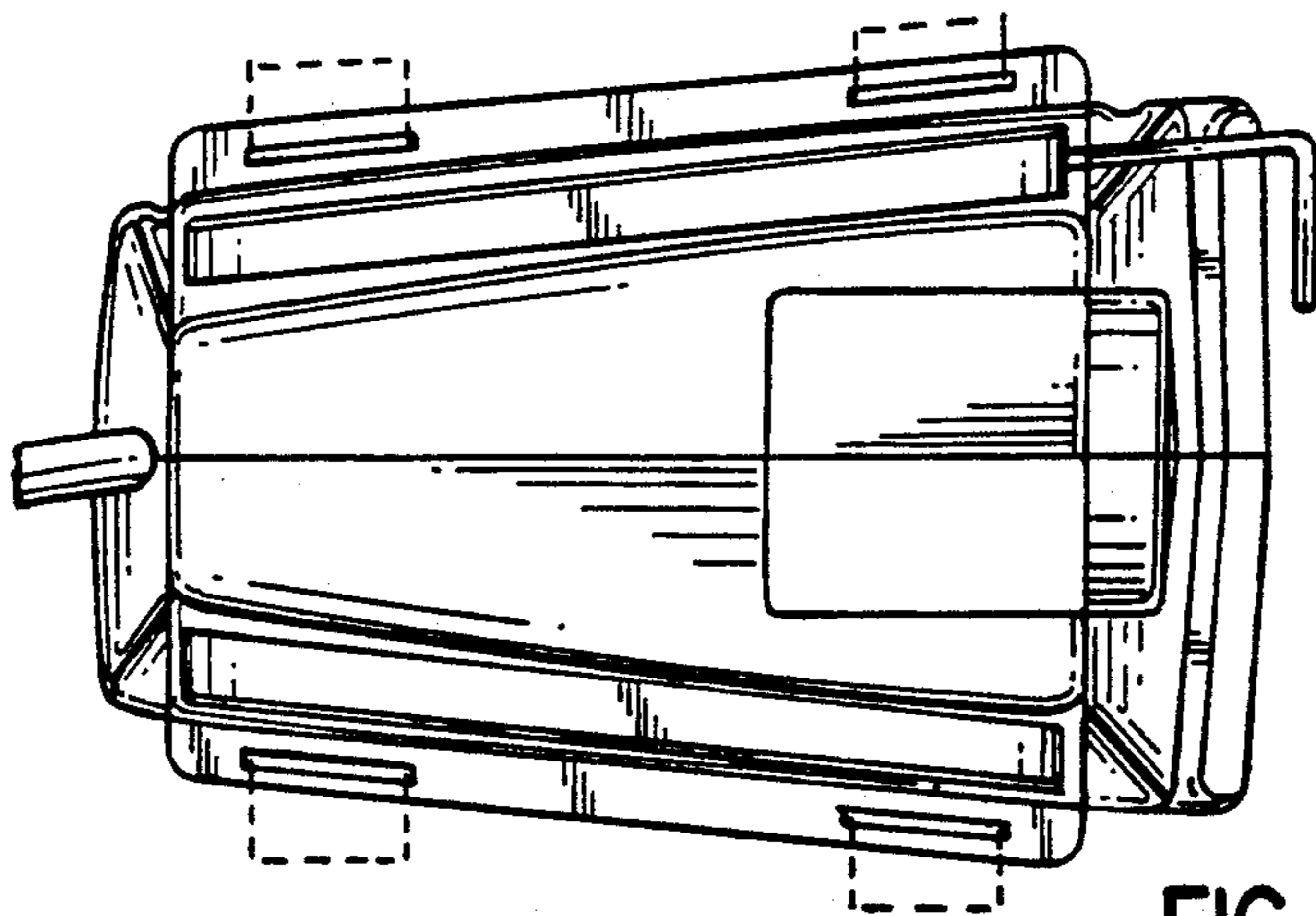


FIG. 5

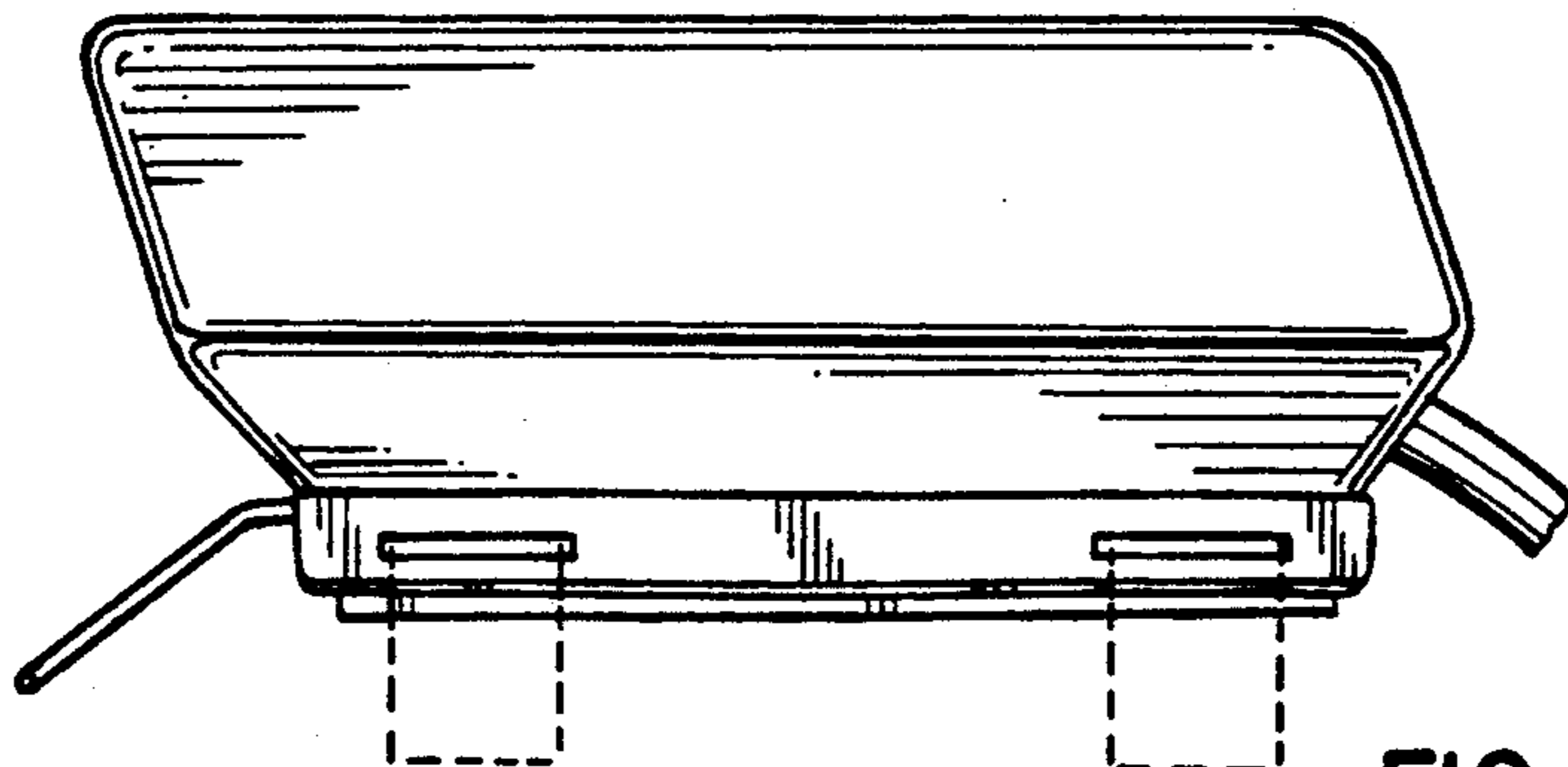


FIG. 6

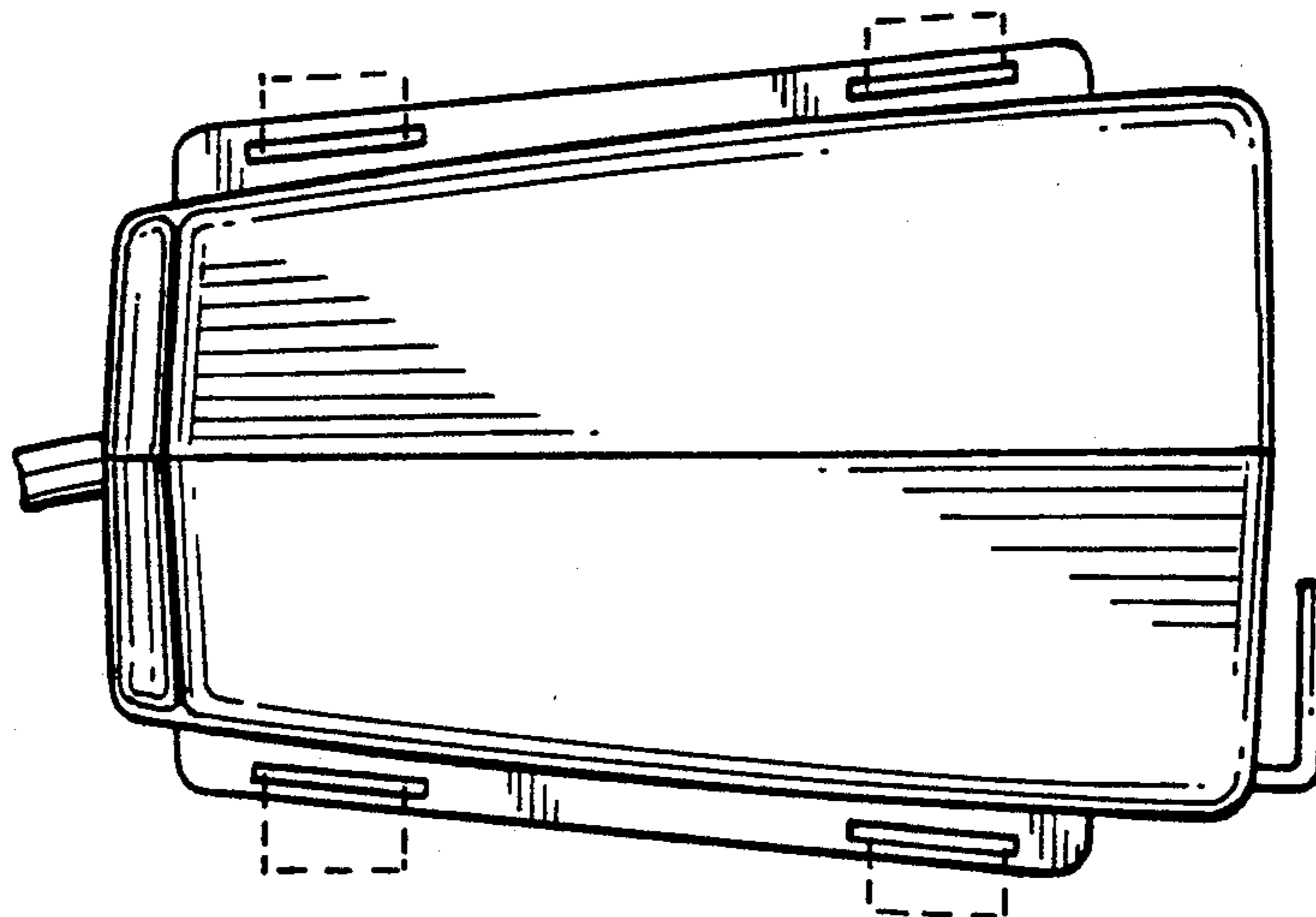


FIG. 7