



US00D335657S

United States Patent [19]

[11] Patent Number: **Des. 335,657**

Burke

[45] Date of Patent: **** May 18, 1993**

[54] **VIEWING ENHANCEMENT DEVICE FOR ATTACHMENT TO A COMPUTER MONITOR**

5,048,928 9/1991 Davis 358/252 X

[75] Inventor: **Jonathan C. Burke, Larkspur, Calif.**

Primary Examiner—Wallace R. Burke

[73] Assignee: **Designs by Royo, Marysville, Calif.**

Assistant Examiner—M. H. Tung

[**] Term: **14 Years**

Attorney, Agent, or Firm—James E. Eakin; Janet Kaiser Castaneda

[21] Appl. No.: **645,681**

[57] **CLAIM**

[22] Filed: **Jan. 25, 1991**

The ornamental design for a viewing enhancement device for attachment to a computer monitor, as shown.

[52] U.S. Cl. **D14/114**

DESCRIPTION

[58] Field of Search **D14/114, 113; D18/12; 358/64, 231, 250, 252, 255**

FIG. 1 is a front and right side perspective view of a viewing enhancement device for attachment to a computer monitor showing the new design of the present invention;

[56] **References Cited**

U.S. PATENT DOCUMENTS

D. 270,357	8/1983	Dillon et al.	D14/114 X
4,529,268	7/1985	Brown	358/252 X
4,958,907	9/1990	Davis	D14/114 X
5,015,072	5/1991	Howell	358/252 X

FIG. 2 is a front elevational view thereof;

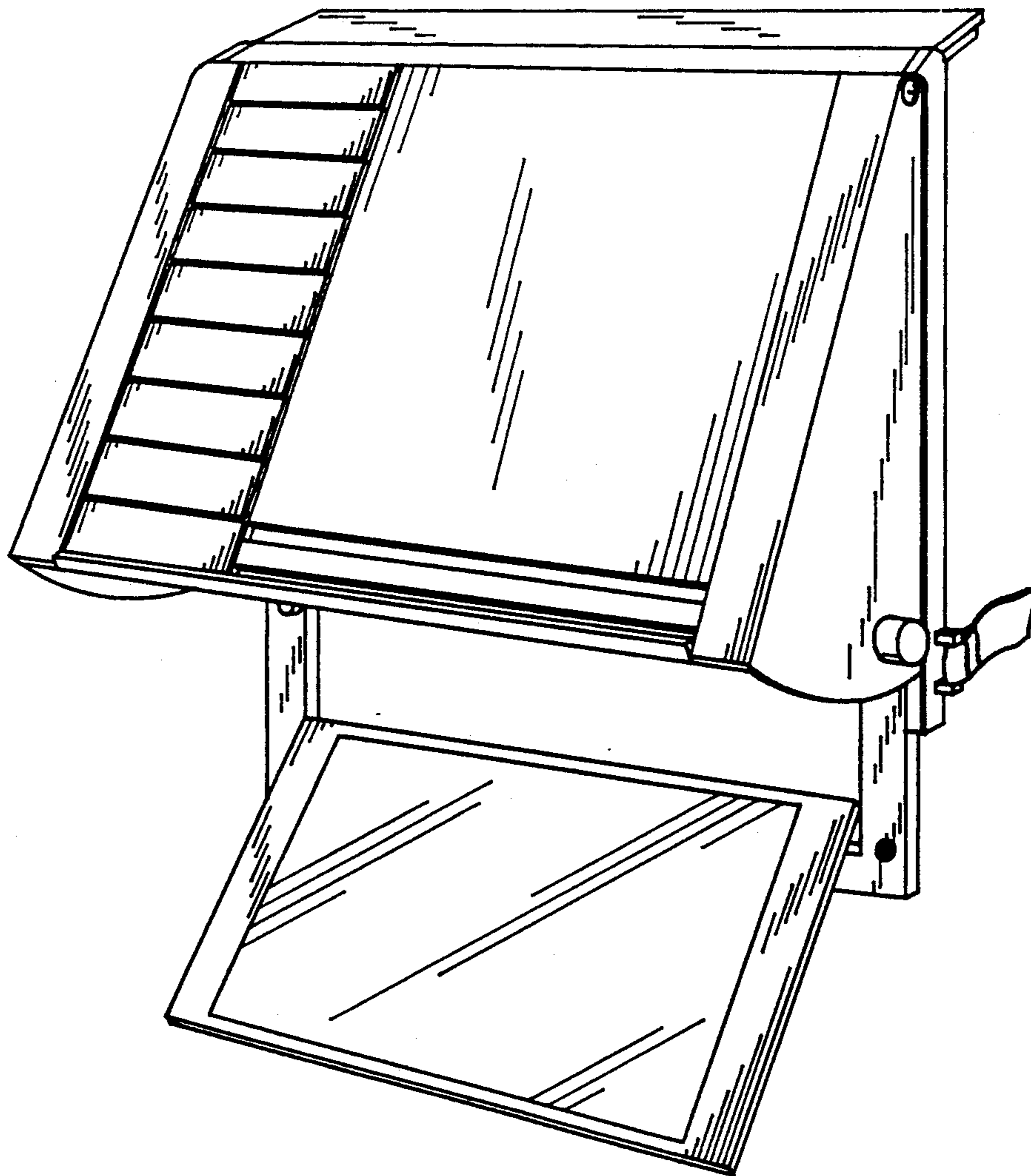
FIG. 3 is a rear elevational view thereof;

FIG. 4 is a left side elevational view thereof;

FIG. 5 is a right side elevational view thereof;

FIG. 6 is a top plan view thereof; and,

FIG. 7 is a bottom plan view thereof.



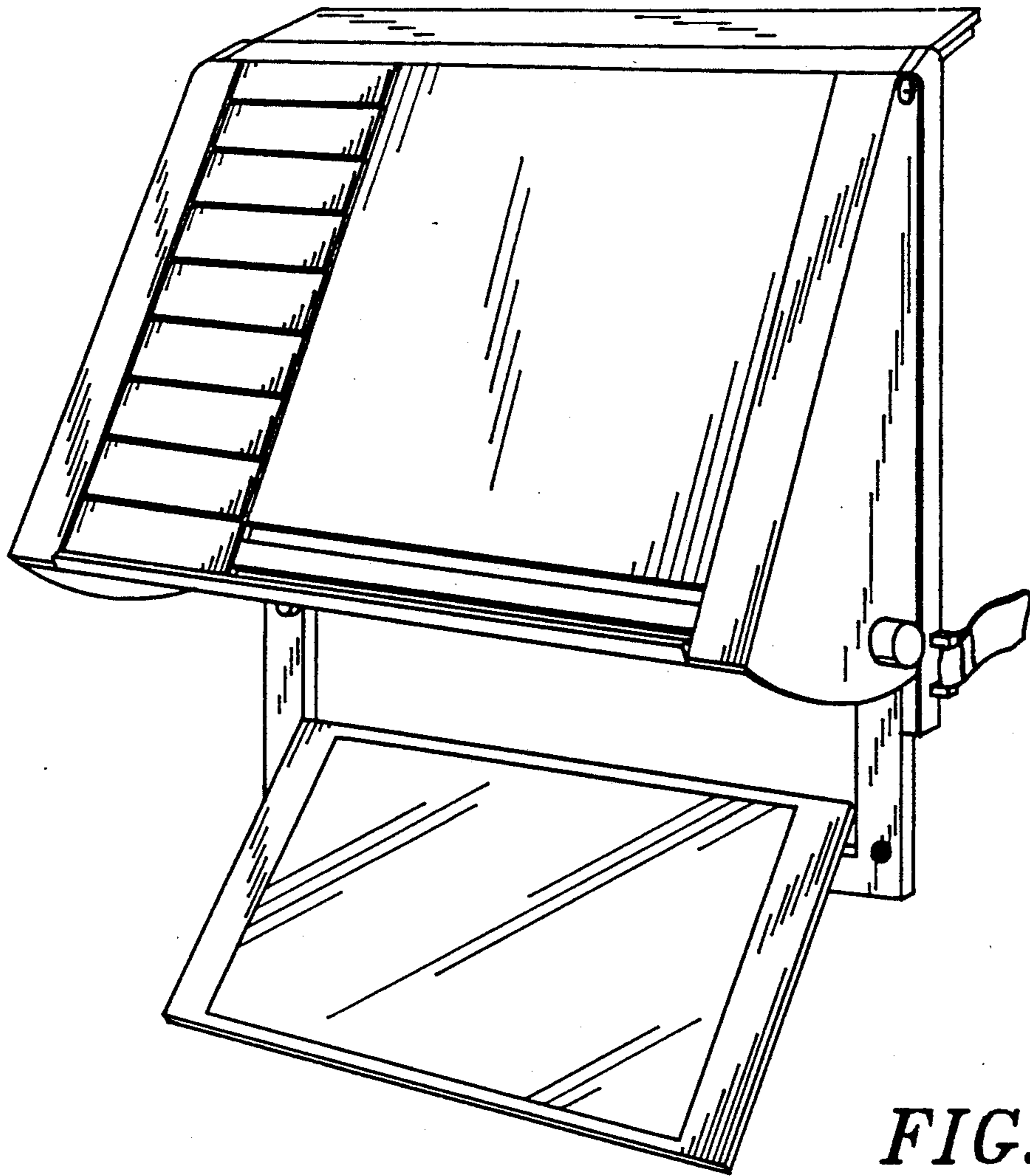


FIG. 1

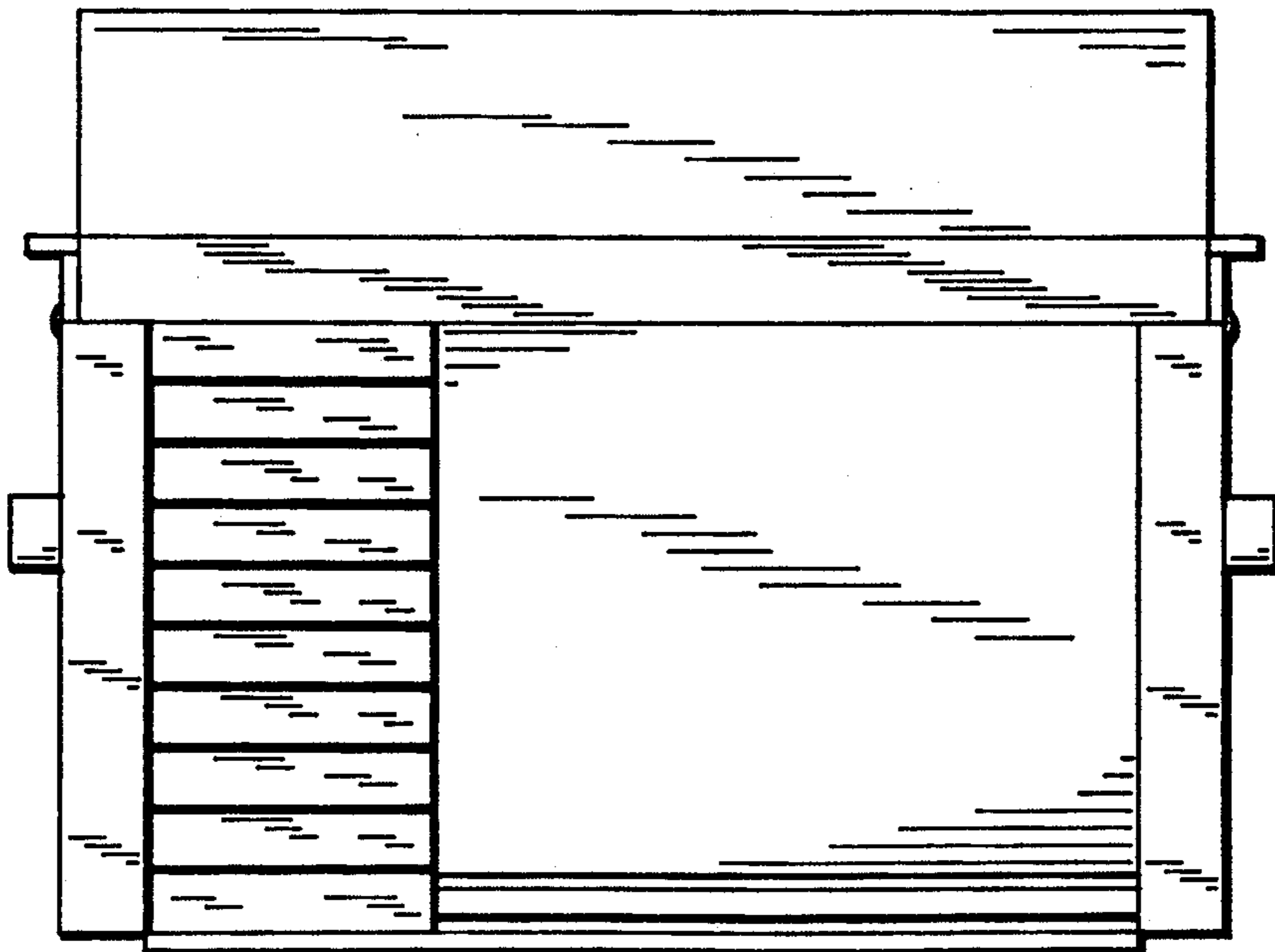


FIG. 6

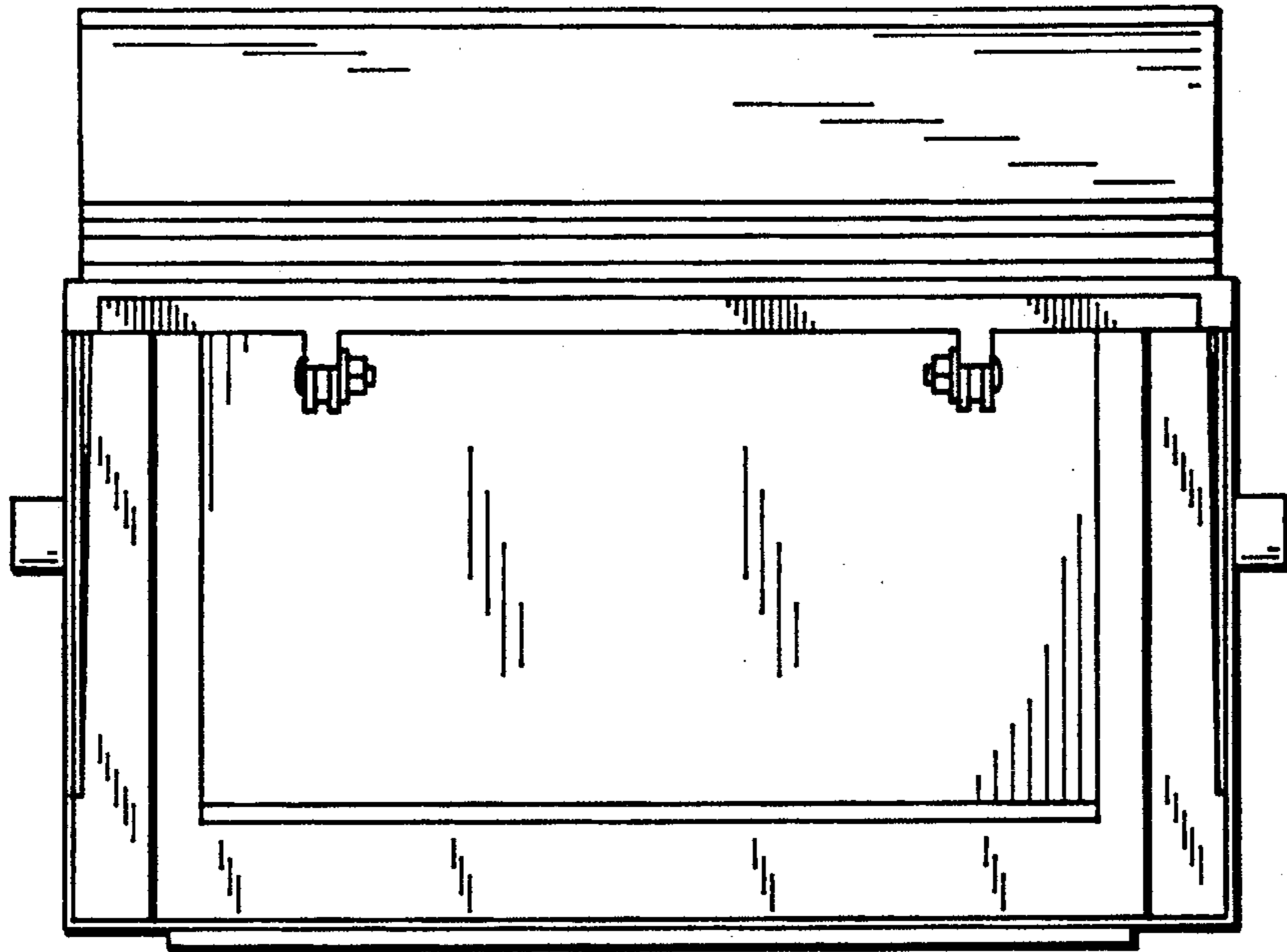


FIG. 7

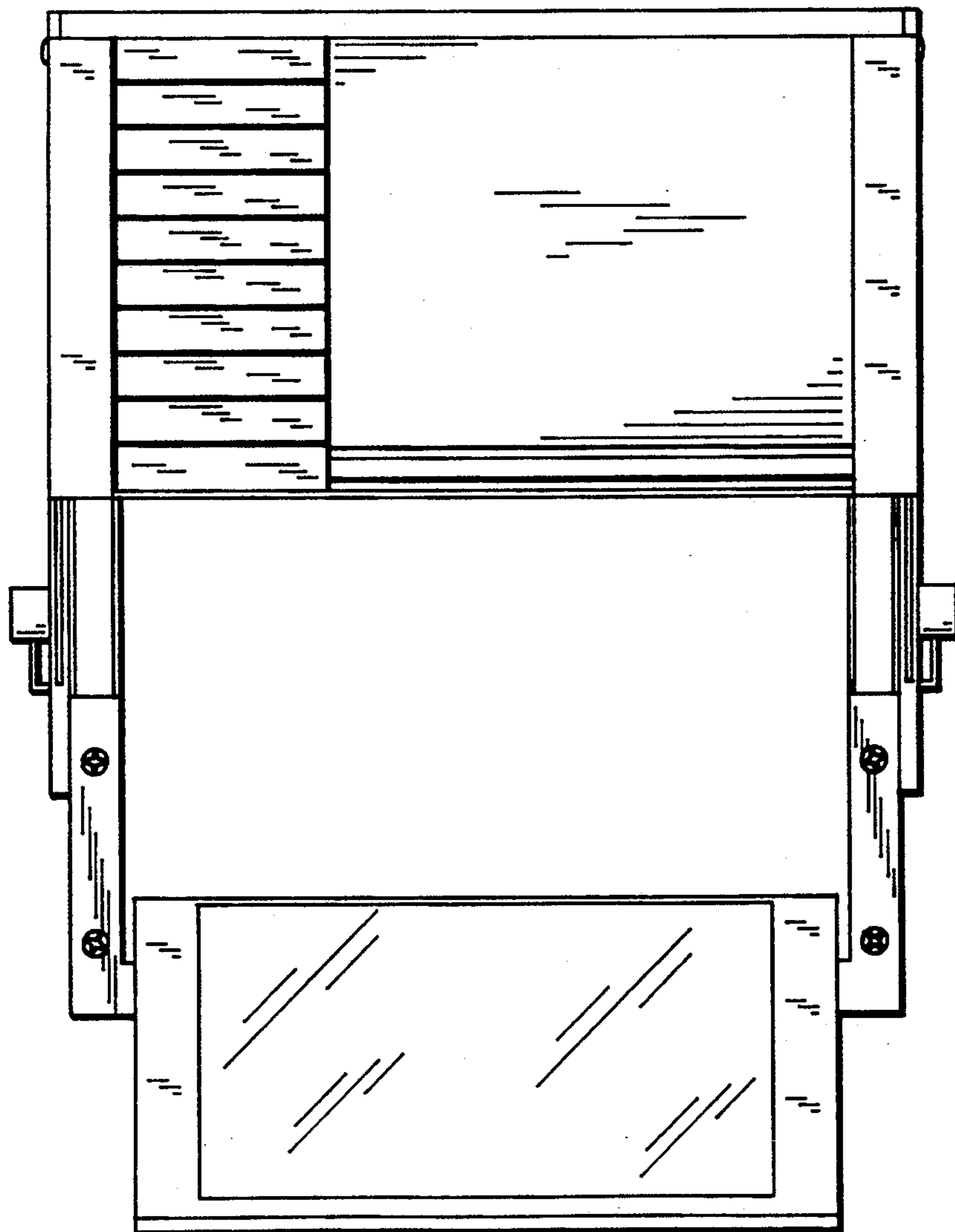


FIG. 2

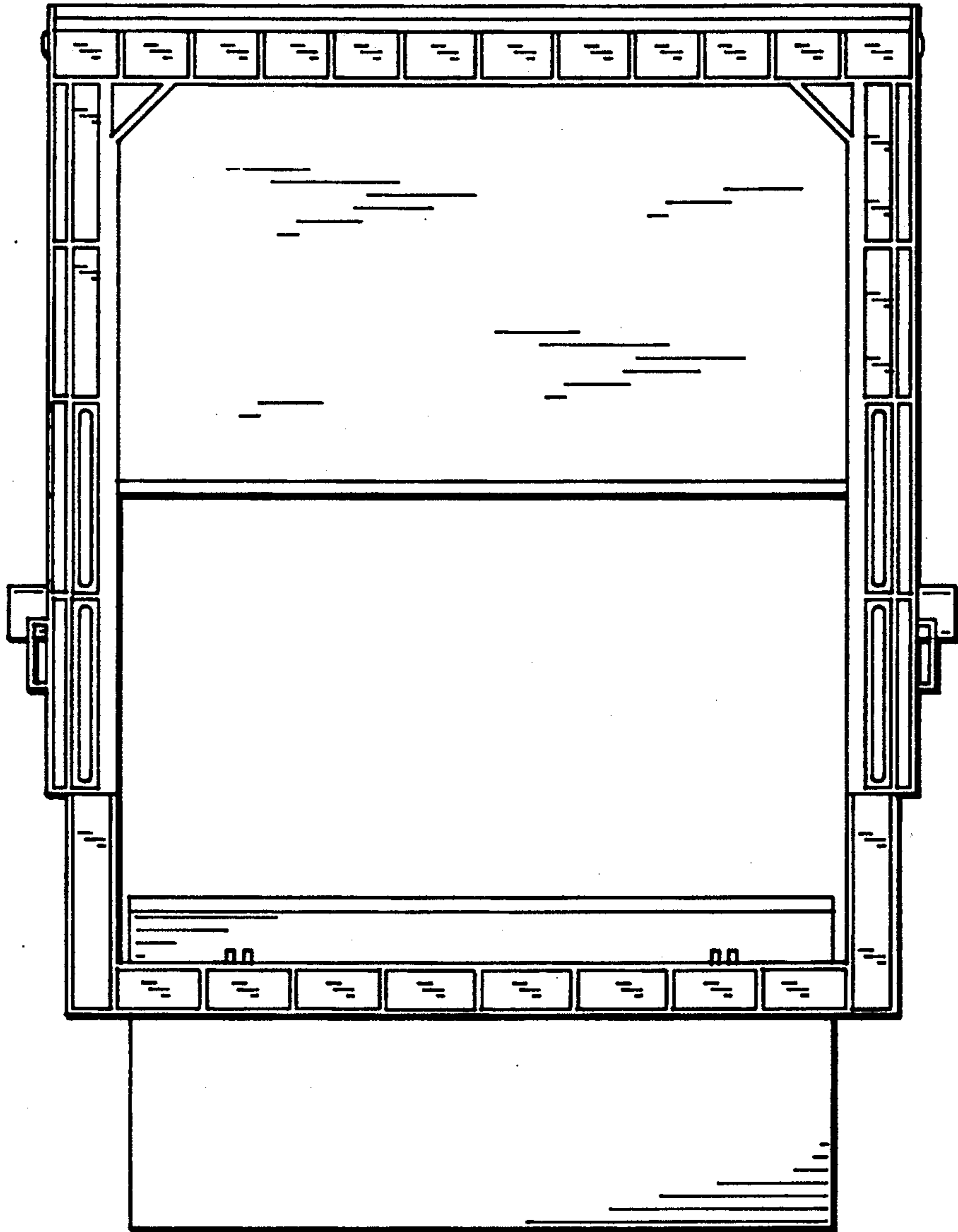


FIG. 3

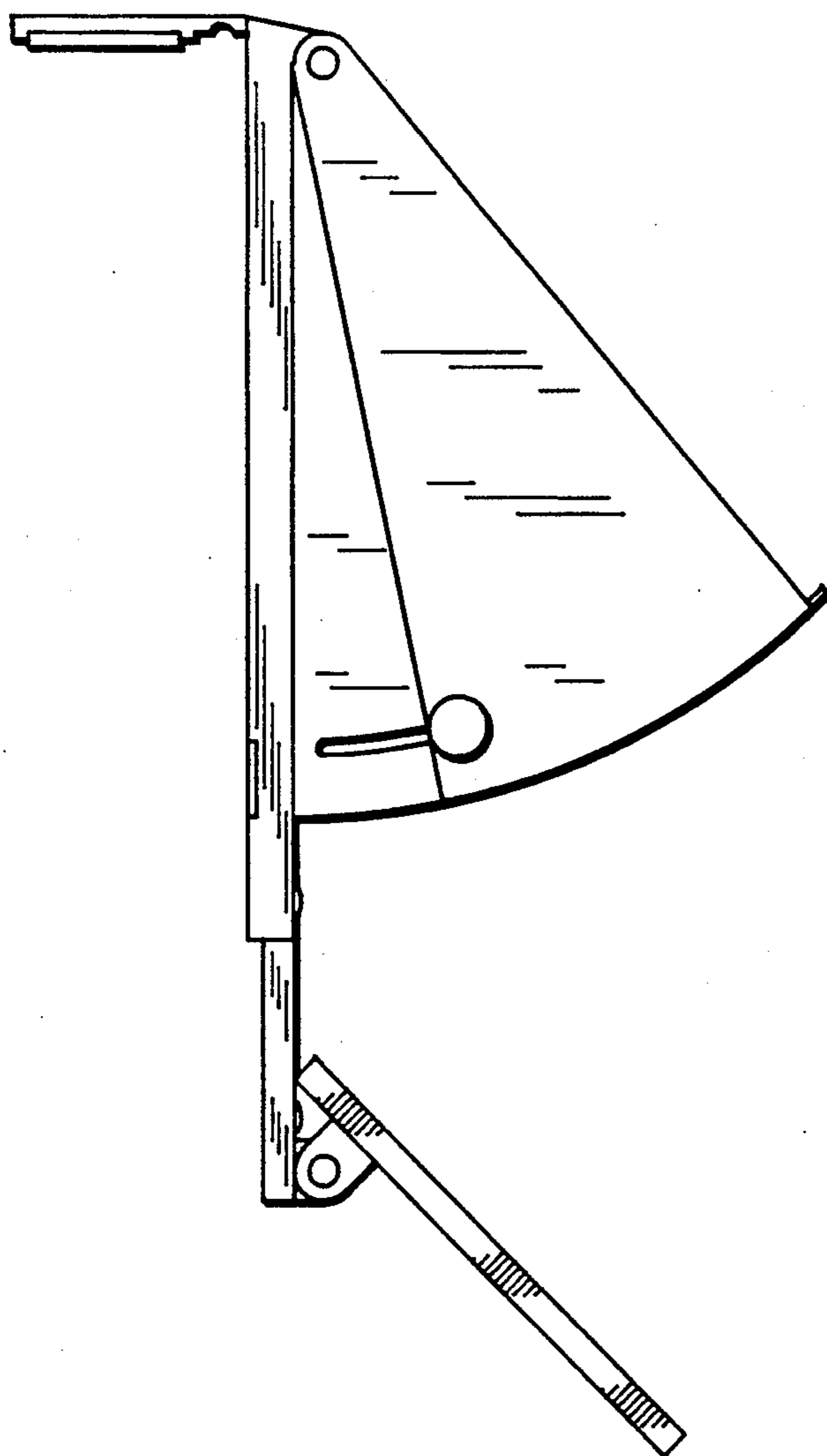


FIG. -4

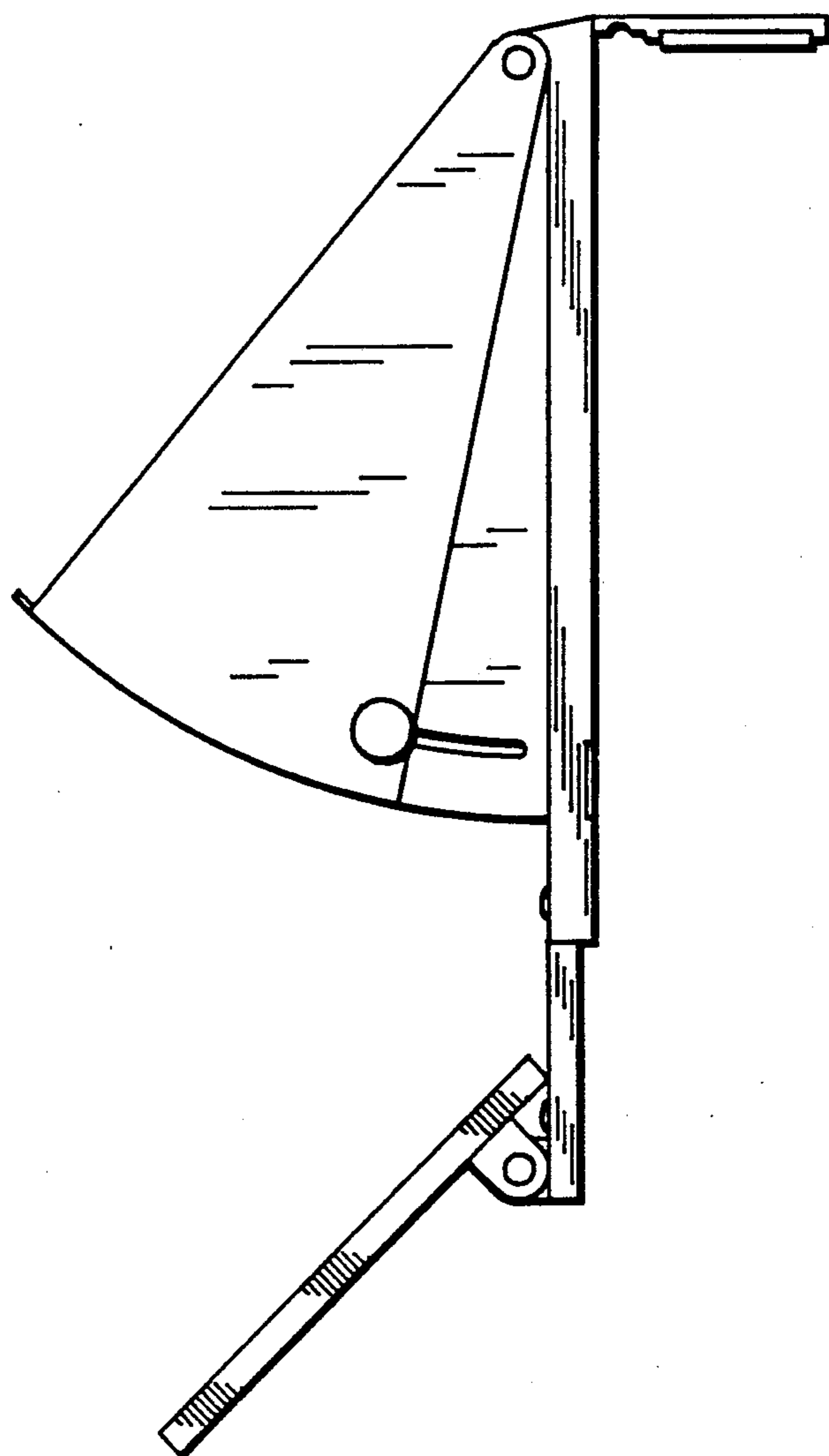


FIG. -5