



US00D335656S

United States Patent [19]

[11] Patent Number: **Des. 335,656**

Garthwaite et al.

[45] Date of Patent: **** May 18, 1993**

- [54] **POINTED INSTRUMENT WITH A COMBINED TILTING AND COUPLING ASSEMBLY**
- [75] Inventors: **Charlie Garthwaite, Kirkland; Bridget Cameron; Stuart Ashmun, both of Seattle, all of Wash.**
- [73] Assignee: **Microsoft Corporation, Redmond, Wash.**
- [**] Term: **14 Years**
- [21] Appl. No.: **634,299**
- [22] Filed: **Dec. 27, 1990**
- [52] U.S. Cl. **D14/114**
- [58] Field of Search **D14/114, 100, 106, 107; 340/709, 710, 712**

- 4,573,925 3/1986 Styers .
- 4,581,609 4/1986 Hosogoe et al. .
- 4,594,586 6/1986 Hosogoe .
- 4,595,070 6/1986 Hodges .
- 4,612,539 9/1986 Hosogoe et al. .
- 4,613,853 9/1986 Hosogoe et al. .
- 4,635,496 1/1987 McTyre .
- 4,652,871 3/1987 Tsukada et al. .
- 4,670,743 6/1987 Zemke .
- 4,686,522 8/1987 Hernandez et al. .
- 4,734,685 3/1988 Watanabe .
- 4,739,315 4/1988 Soma et al. .
- 4,786,768 11/1988 Langewis et al. .
- 4,797,665 1/1989 Ida et al. .
- 4,799,049 1/1989 Avila .
- 4,818,851 4/1989 Kimura .

[56] References Cited

U.S. PATENT DOCUMENTS

- D. 266,563 10/1982 White .
- D. 272,921 3/1984 Kim .
- D. 281,776 12/1985 Griffin .
- D. 282,848 3/1986 Depraz .
- D. 288,930 3/1987 Barbera et al. .
- D. 289,306 4/1987 Burnstein et al. .
- D. 291,318 8/1987 Kim .
- D. 292,600 11/1987 Wagner .
- D. 300,324 3/1989 Akagi et al. .
- D. 302,010 7/1989 McLaughlin et al. .
- D. 302,426 7/1989 Bradley et al. .
- D. 307,137 4/1990 Alfonso D14/114
- D. 307,739 5/1990 Grant .
- D. 315,552 3/1991 Sacherman .
- D. 315,896 4/1991 Brown .
- D. 326,261 5/1992 Ashmun et al. D14/114
- D. 326,848 6/1992 Shiraishi D14/114
- D. 328,596 8/1992 Manabe D14/114
- D. 328,597 8/1992 Clouss D14/114
- 3,395,589 8/1968 Gersten .
- 3,541,541 11/1970 Engelbart .
- 3,625,083 12/1971 Bose .
- 3,835,464 9/1974 Rider .
- 3,987,685 10/1976 Opocensky .
- 4,245,244 1/1981 Lijewski et al. .
- 4,310,839 1/1982 Schwerdt .
- 4,404,865 9/1983 Kim .
- 4,464,652 8/1984 Lapson et al. .
- 4,538,476 9/1985 Luque .
- 4,559,532 12/1985 Hosogoe .
- 4,562,314 12/1985 Hosogoe et al. .

FOREIGN PATENT DOCUMENTS

- 1526428 9/1978 United Kingdom .
- 2154306A 9/1985 United Kingdom .

OTHER PUBLICATIONS

Macworld, Nov. 1989 "The Macintosh Portable" Special Review.
 IBM Technical Disclosure Bulletin, vol. 27, No. 10B, Mar. 1985, pp. 6299-6305 Mouse/Keyboard Concept Incorporating Unique Devices for Controlling CRT Display Cursors.

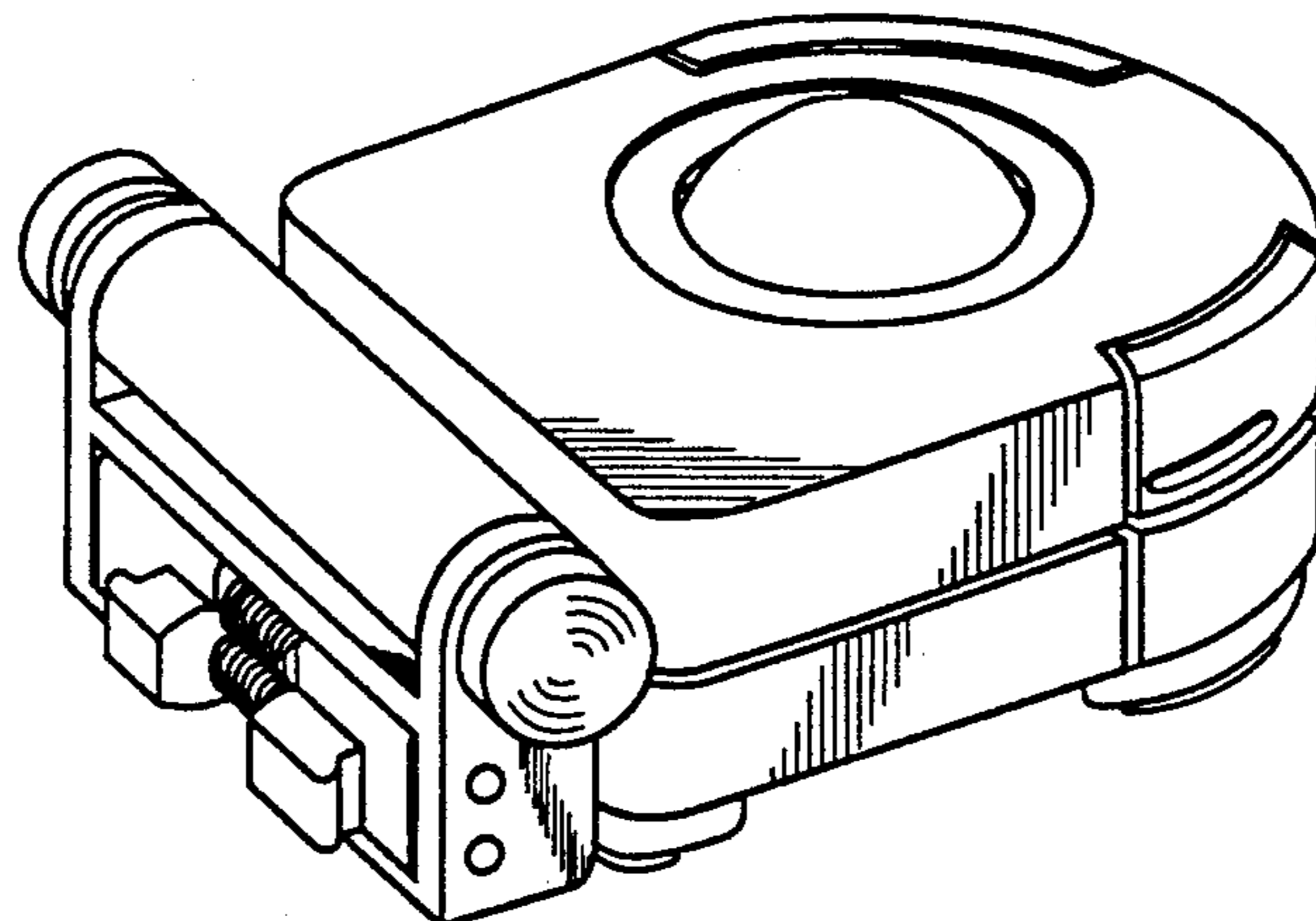
Primary Examiner—Alan P. Douglas
Assistant Examiner—Antoine D. Davis
Attorney, Agent, or Firm—Seed and Berry

[57] CLAIM

The ornamental design for a pointed instrument with a combined tilting and coupling assembly, as shown and described.

DESCRIPTION

FIG. 1 is a front perspective view of a pointing instrument with a combined tilting and coupling assembly showing our new design;
 FIG. 2 is a rear perspective view thereof;
 FIG. 3 is a bottom perspective view thereof;
 FIG. 4 is a top plan view thereof;
 FIG. 5 is a bottom plan view thereof;
 FIG. 6 is a left side elevational view thereof;
 FIG. 7 is a left side elevational view thereof in the tilted orientation;
 FIG. 8 is a rear elevational view thereof; and,
 FIG. 9 is a front elevational view thereof.



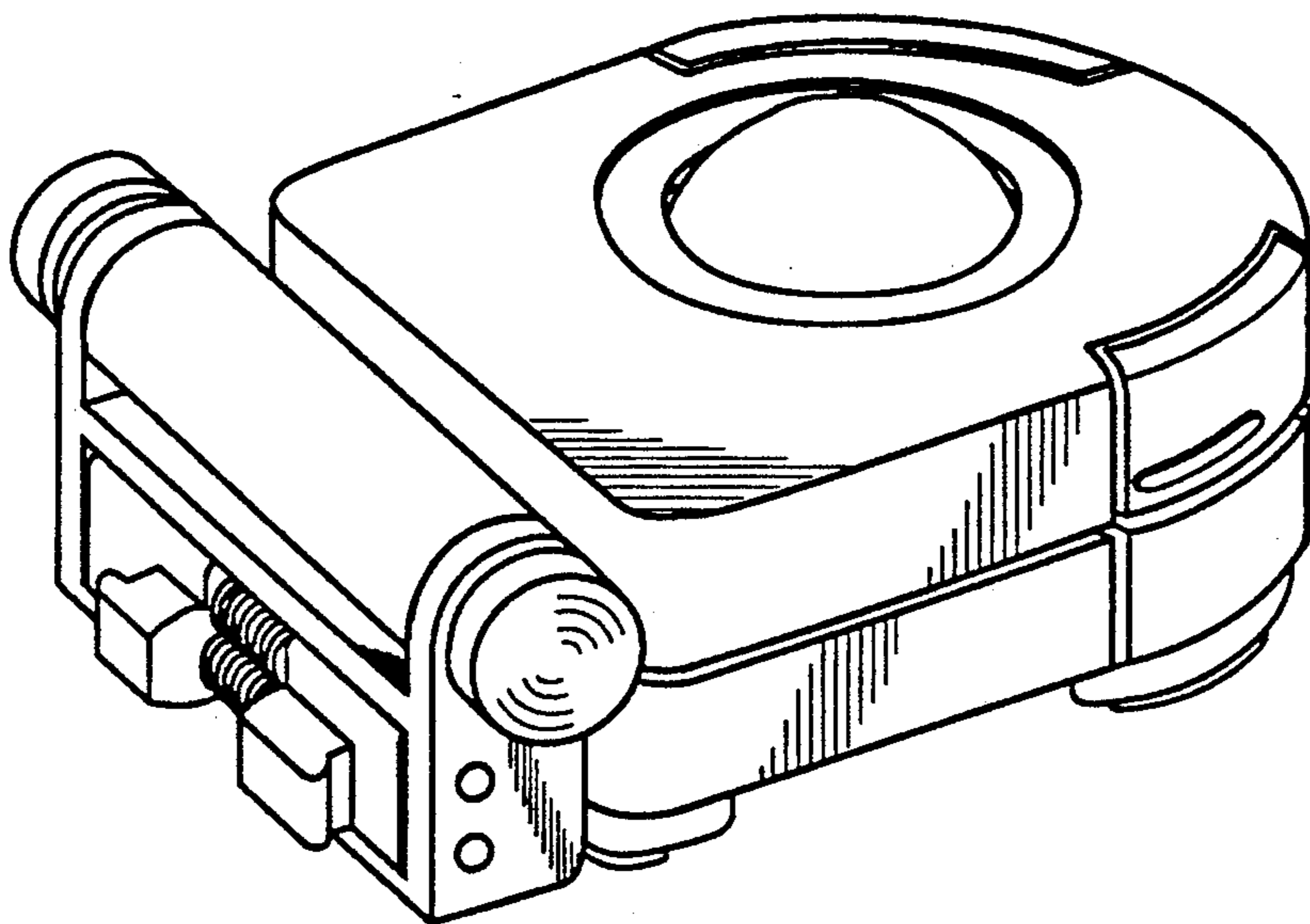


Figure 1

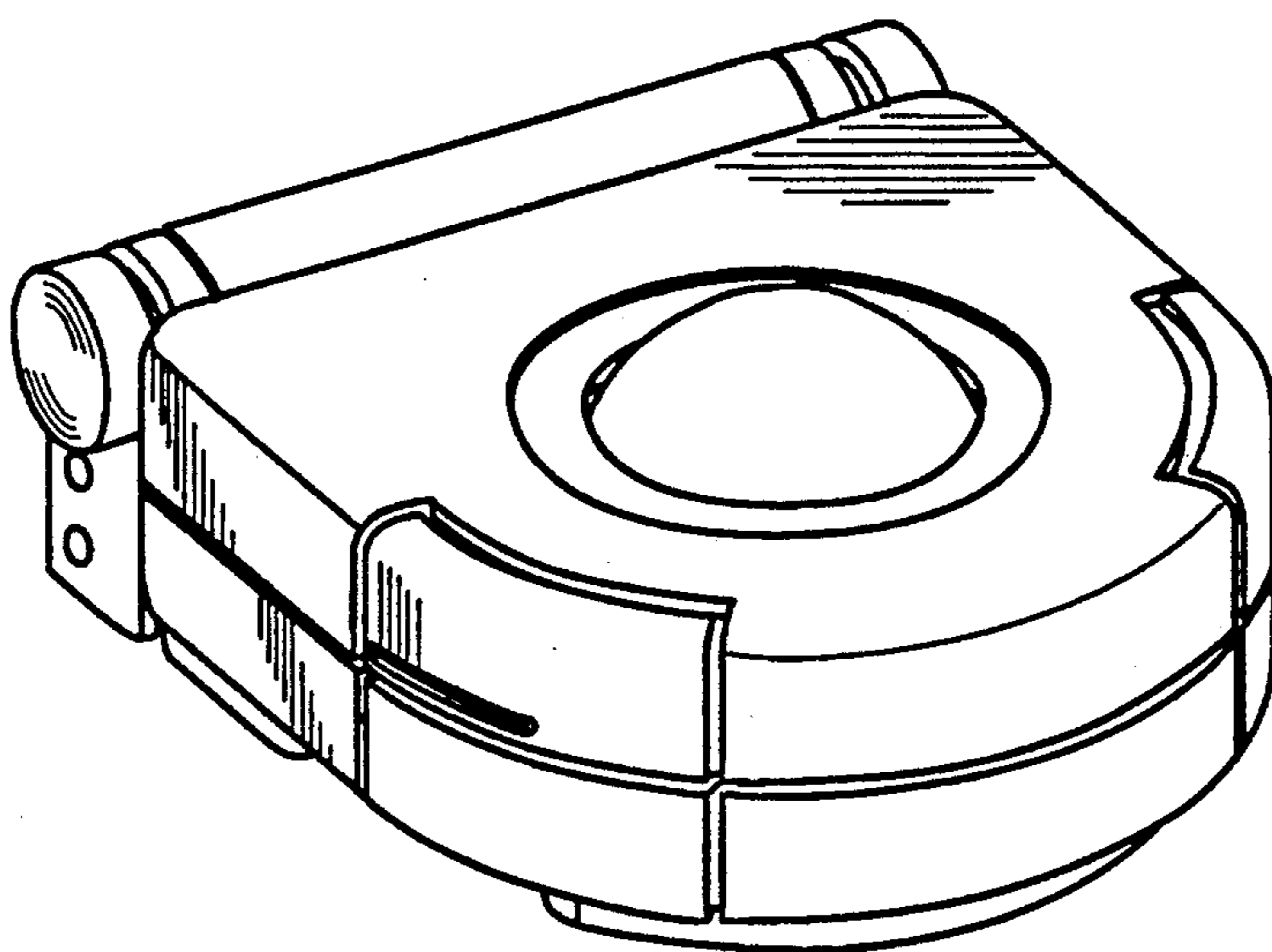


Figure 2

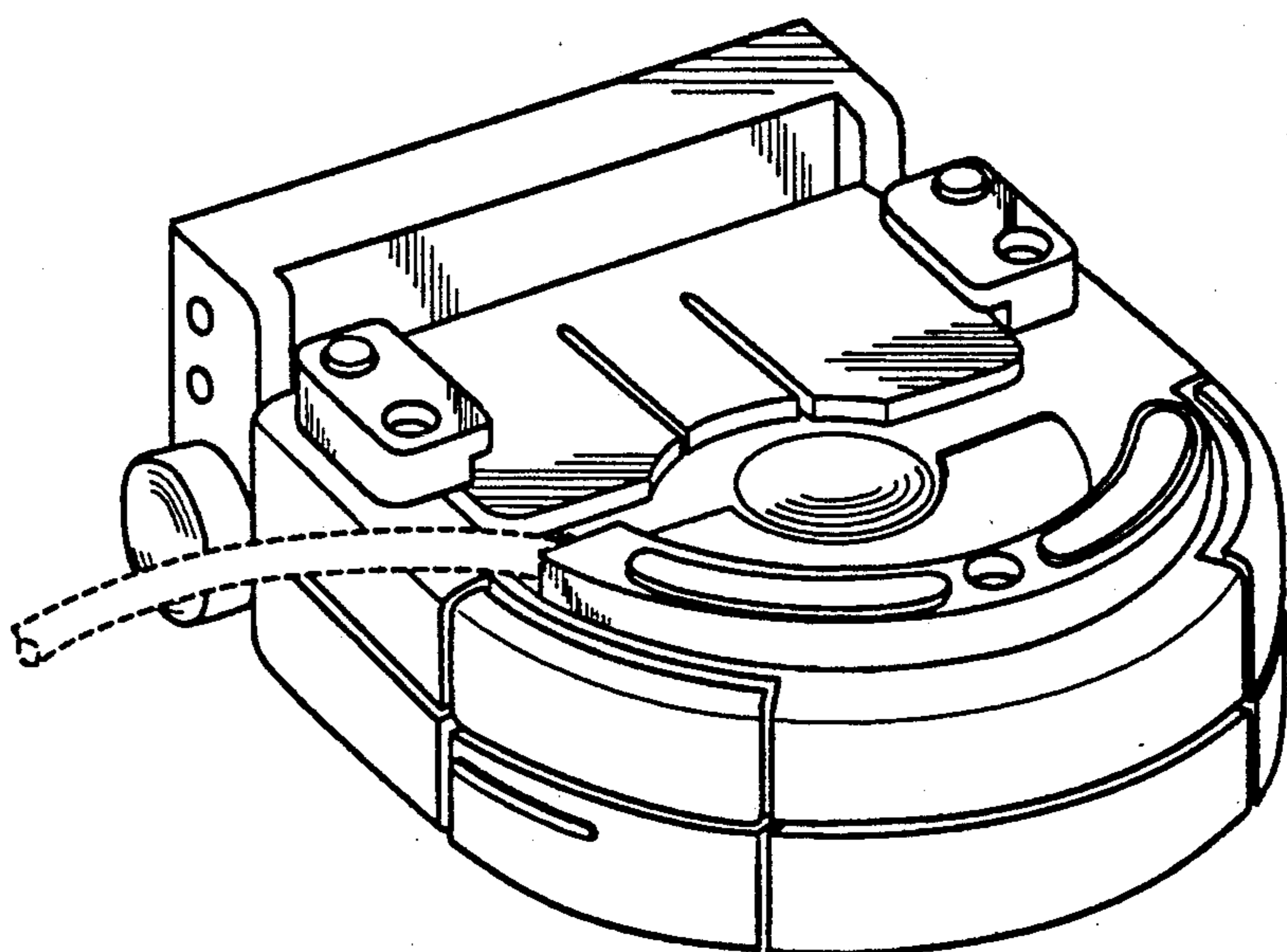


Figure 3

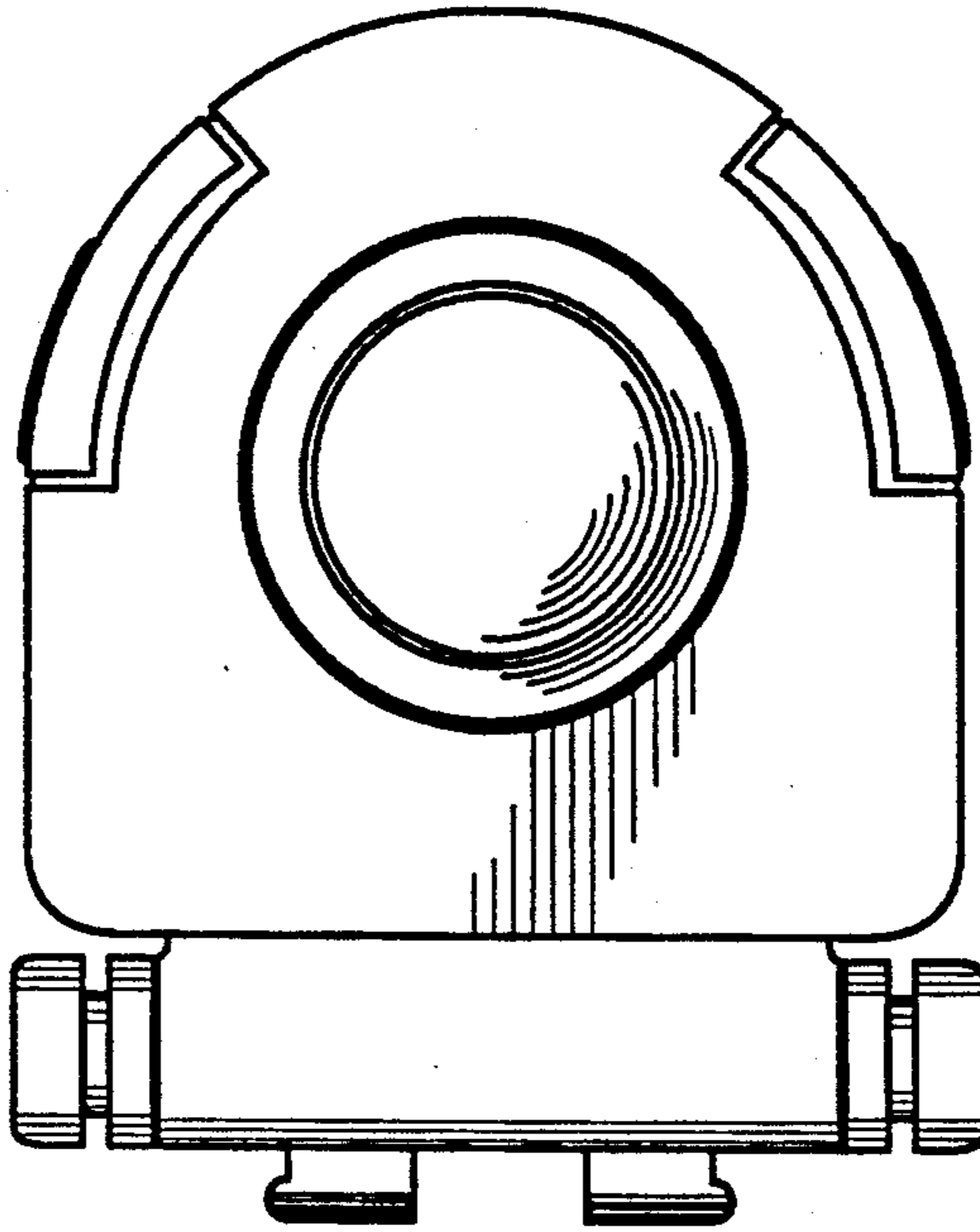


Figure 4

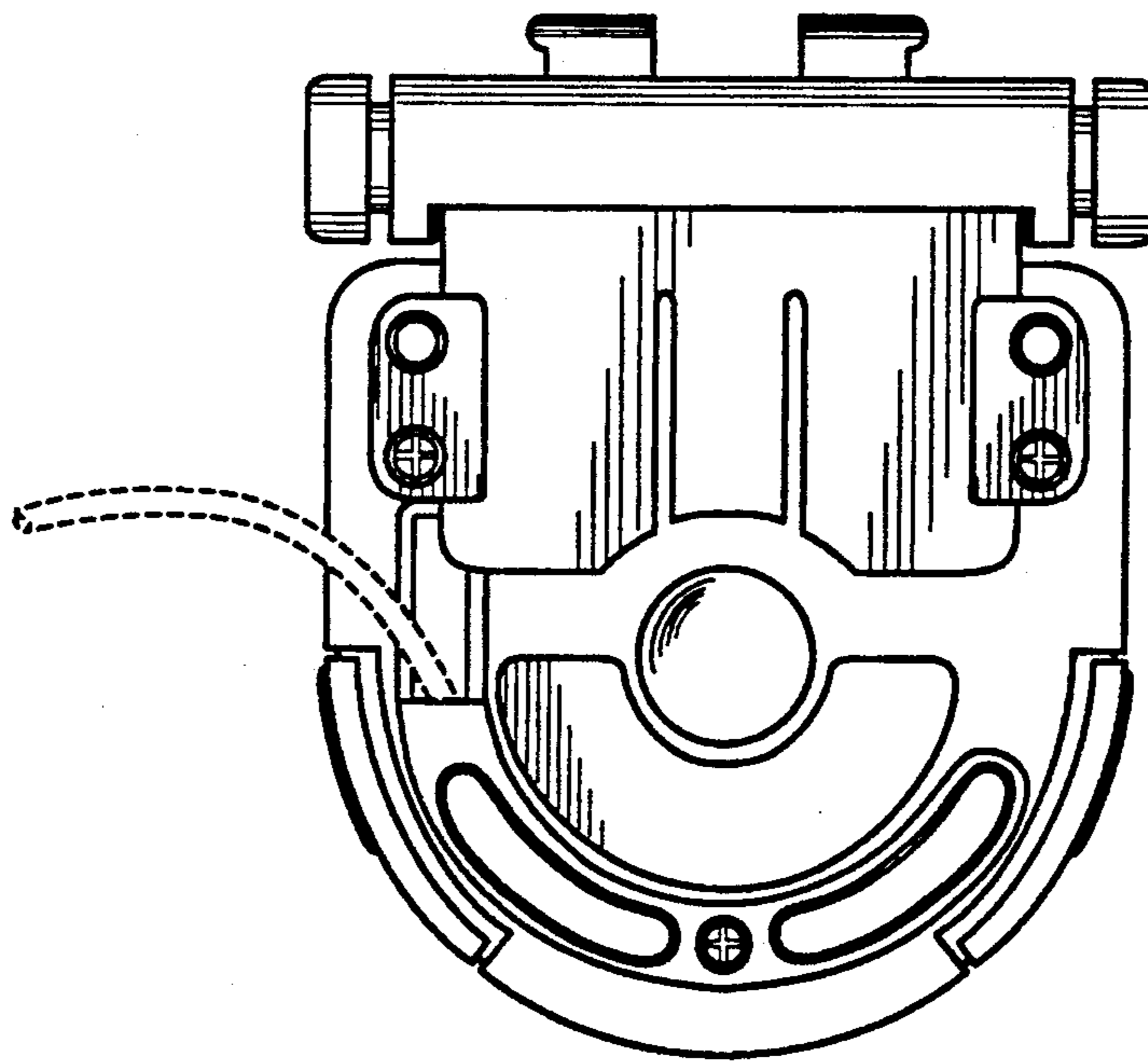


Figure 5

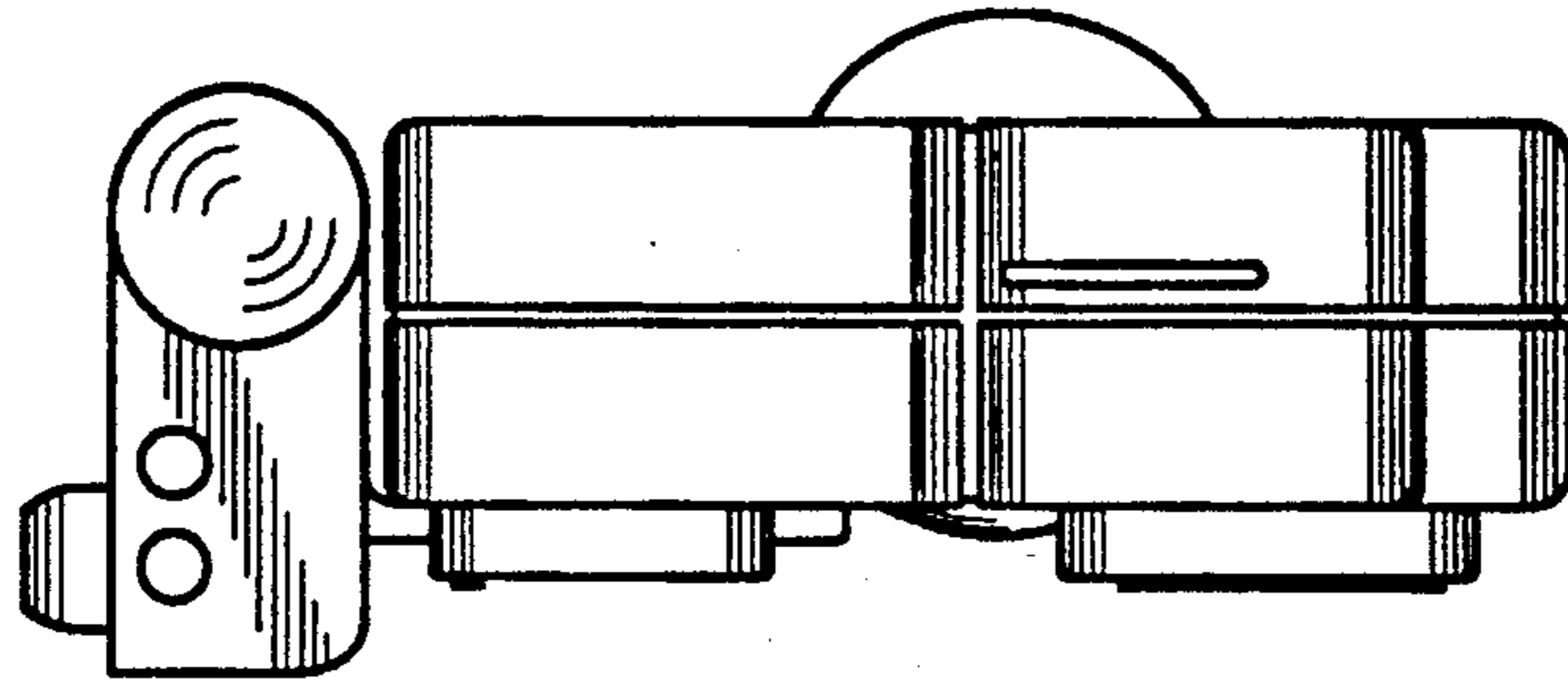


Figure 6

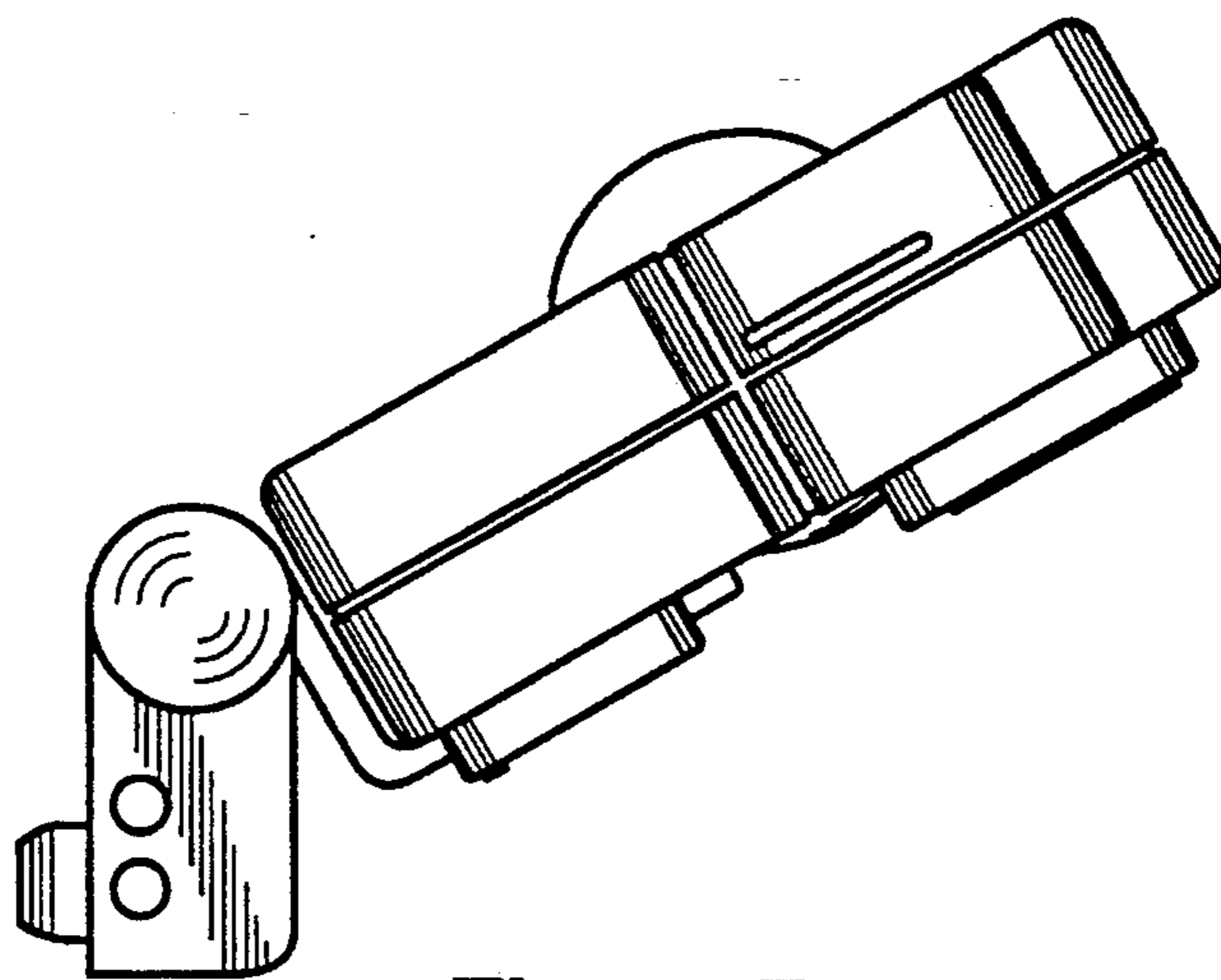


Figure 7

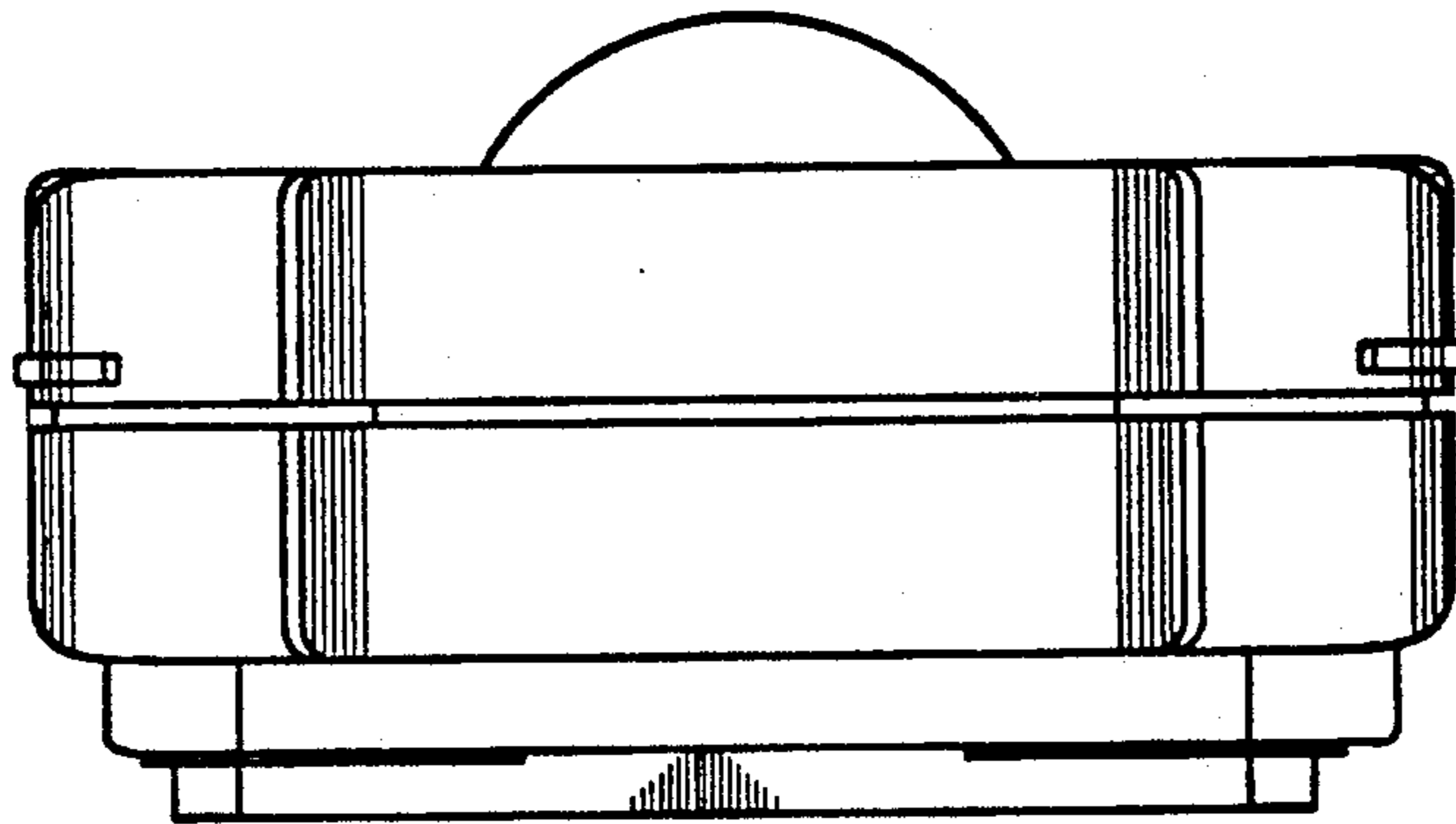


Figure 8

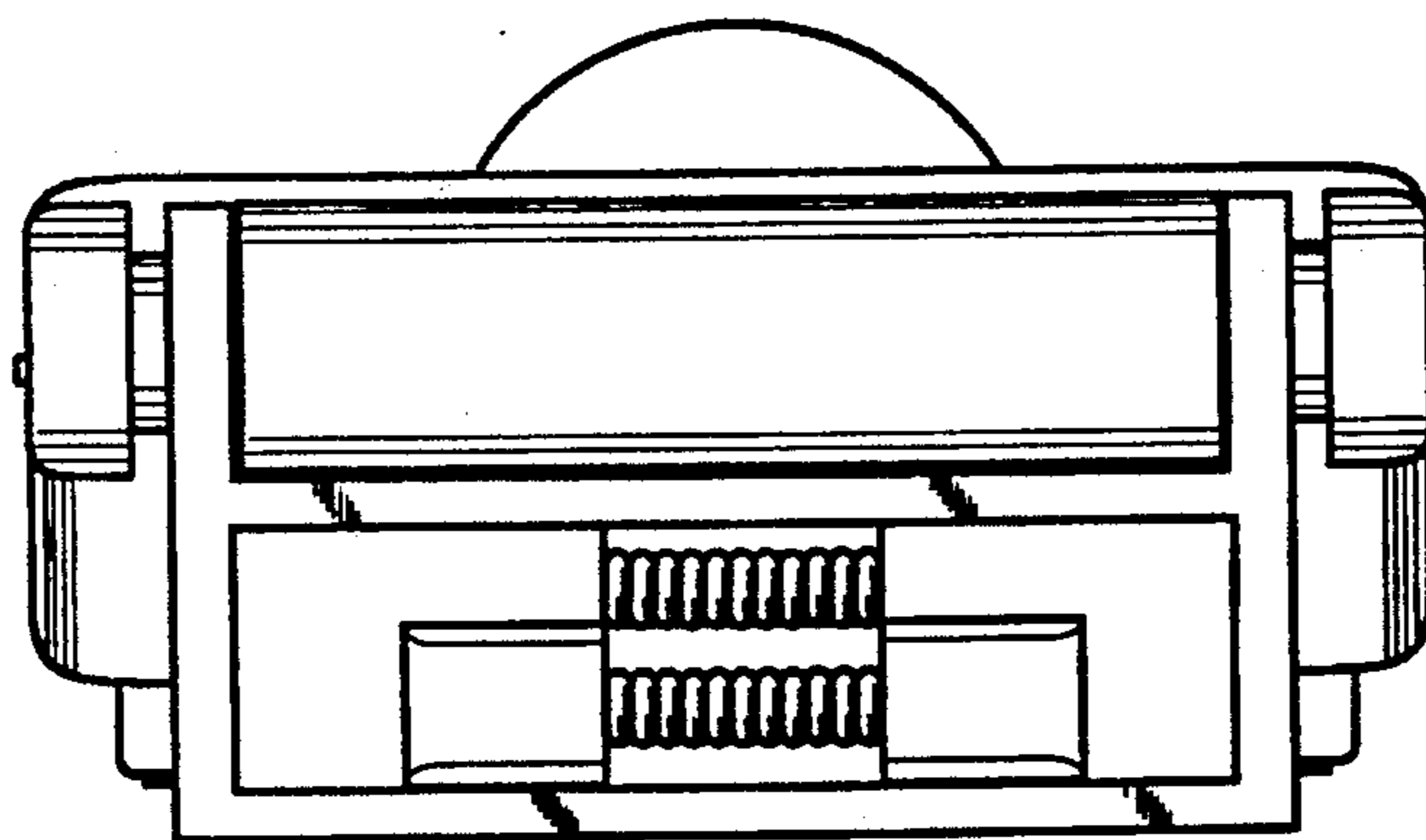


Figure 9

UNITED STATES PATENT AND TRADEMARK OFFICE
CERTIFICATE OF CORRECTION

PATENT NO. : Des. 335,656
DATED : May 18, 1993
INVENTOR(S) : Charlie Garthwaite et al.

It is certified that error appears in the above-identified patent and that said Letters Patent is hereby corrected as shown below:

On title page, item [54] delete "POINTED" and substitute therefor --POINTING--.

On title page, item [75], after "Stuart Ashmun,", please add --Allan H. Stephan and Michael D. Nelson,--.

On title page, item [75], delete "both of Seattle" and substitute therefor --all of Seattle--.

On title page, item [57] delete "pointed" and substitute therefor --pointing--.

Signed and Sealed this

Twenty-second Day of March, 1994

Attest:



BRUCE LEHMAN

Attesting Officer

Commissioner of Patents and Trademarks