



US00D335655S

United States Patent [19] Hill

[11] Patent Number: **Des. 335,655**

[45] Date of Patent: **** May 18, 1993**

[54] **ENCLOSURE FOR A DATA PROCESSING SYSTEM**

[75] Inventor: **David W. Hill, Rochester, Minn.**

[73] Assignee: **International Business Machines Corporation, Armonk, N.Y.**

[**] Term: **14 Years**

[21] Appl. No.: **598,444**

[22] Filed: **Oct. 15, 1990**

[52] U.S. Cl. **D14/102**

[58] Field of Search **D14/100, 102, 108, 109; D13/184, 199; 360/92; 361/390-395; 312/208, 282, 315, 257.1**

[56] **References Cited**

U.S. PATENT DOCUMENTS

- D. 293,909 1/1988 Davis D14/109 X
- D. 294,261 2/1988 Alfonso D14/109 X
- D. 308,517 6/1990 Horie D14/100 X
- D. 313,225 12/1990 Chang D14/102
- D. 315,550 3/1991 Hill D14/102

D. 321,864 11/1991 Tedham D14/100

Primary Examiner—Wallace R. Burke
Assistant Examiner—Freda S. Nunn
Attorney, Agent, or Firm—Roy W. Truelson

[57] **CLAIM**

The ornamental design for an enclosure for a data processing system, as shown and described.

DESCRIPTION

FIG. 1 is a top, front, right side perspective view of an enclosure for a data processing system showing my new design;

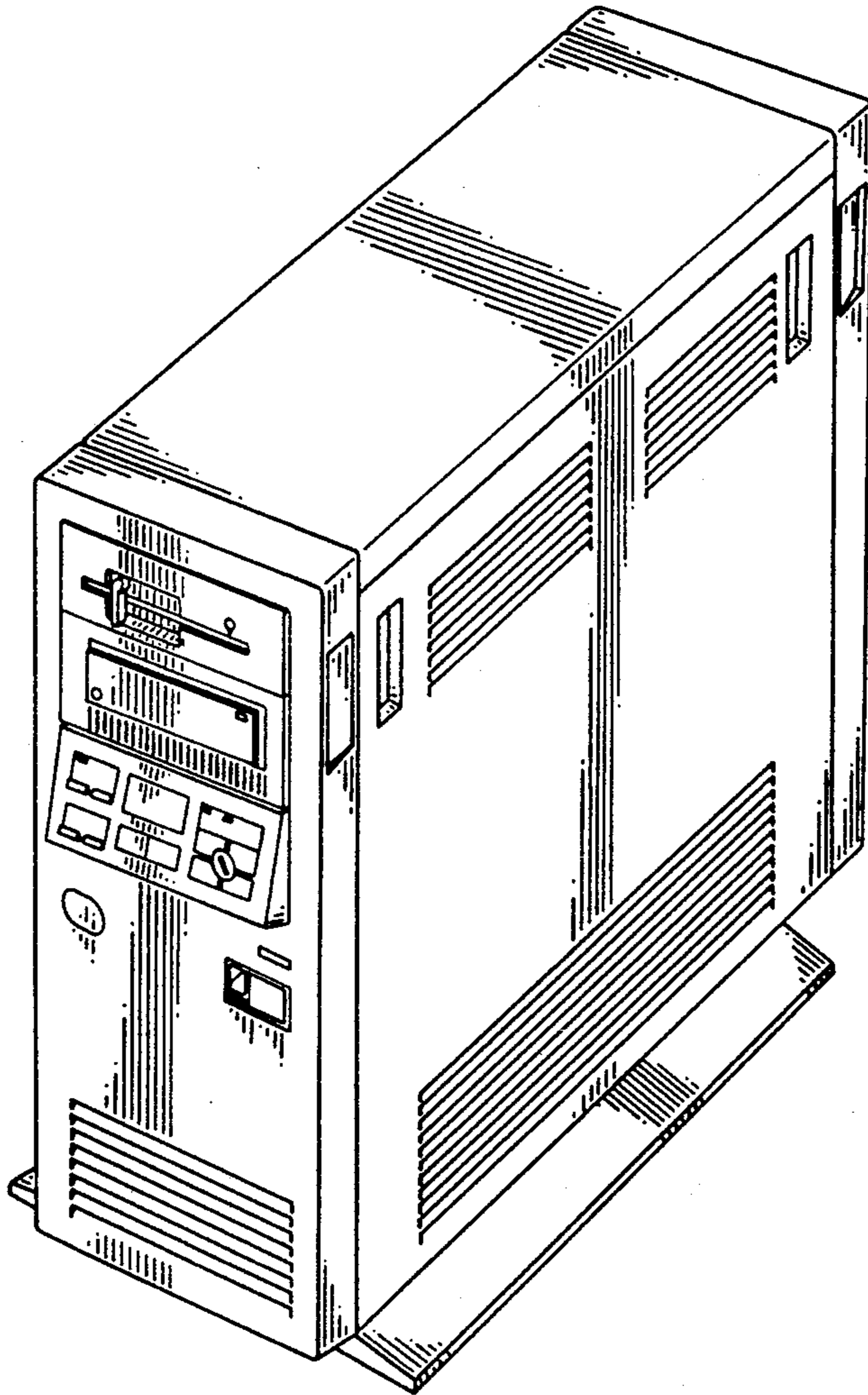
FIG. 2 is a front elevational view thereof on an enlarged scale;

FIG. 3 is a right side elevational view thereof on an enlarged scale;

FIG. 4 is a rear elevational view thereof on an enlarged scale; and,

FIG. 5 is a bottom plan view thereof on an enlarged scale.

The left side of the enclosure is identical to the right side shown in FIG. 3.



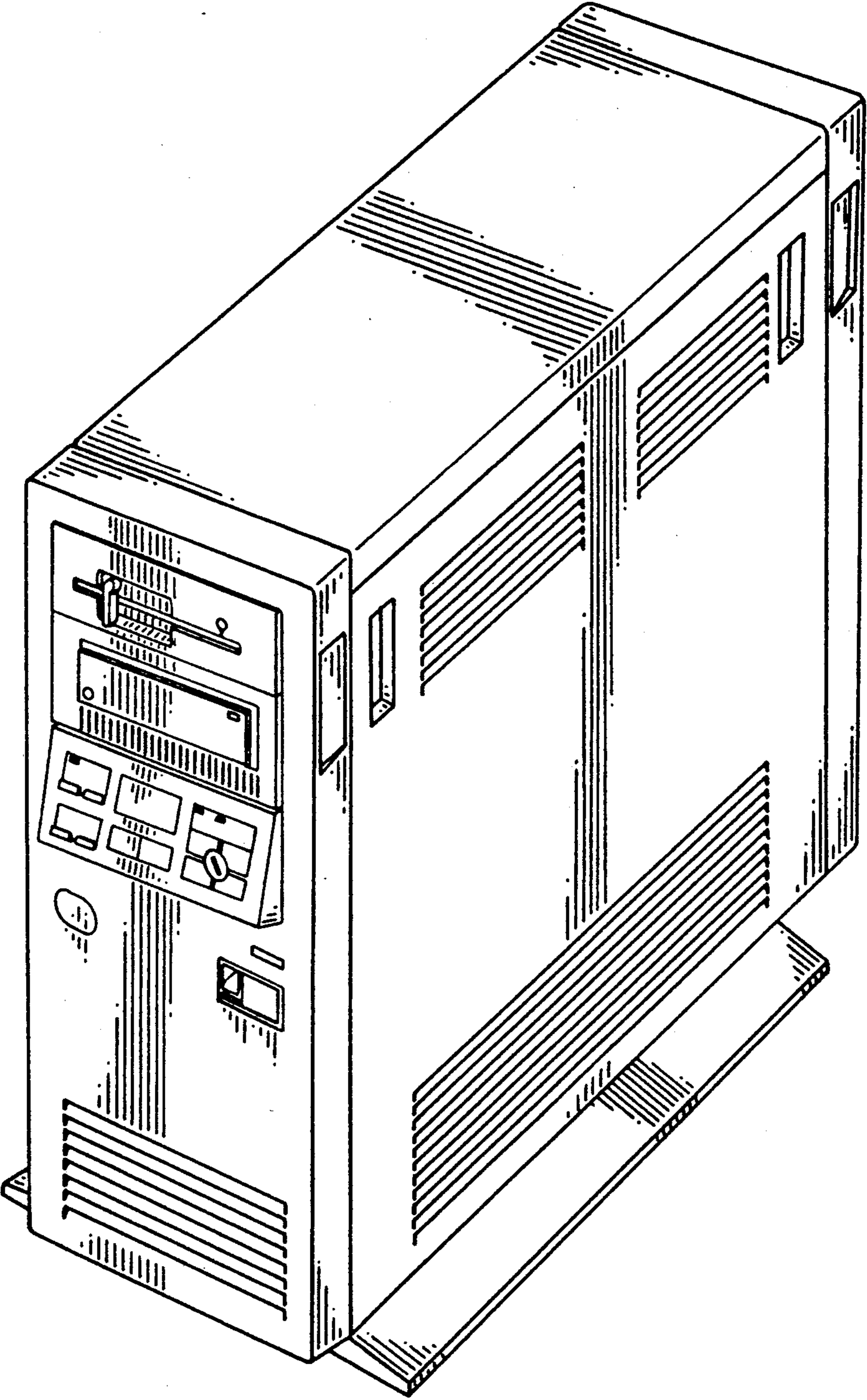


FIG. 1

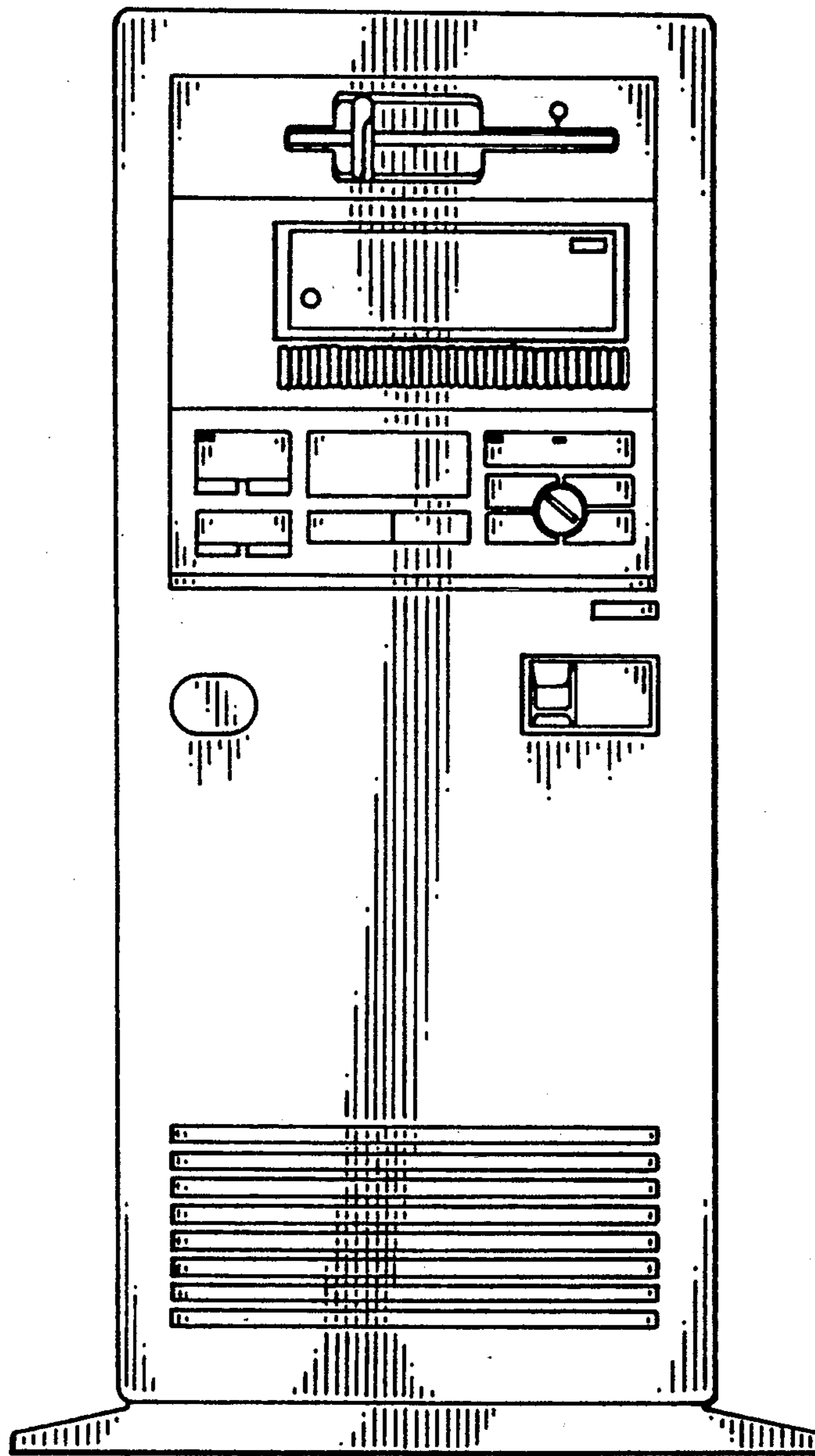
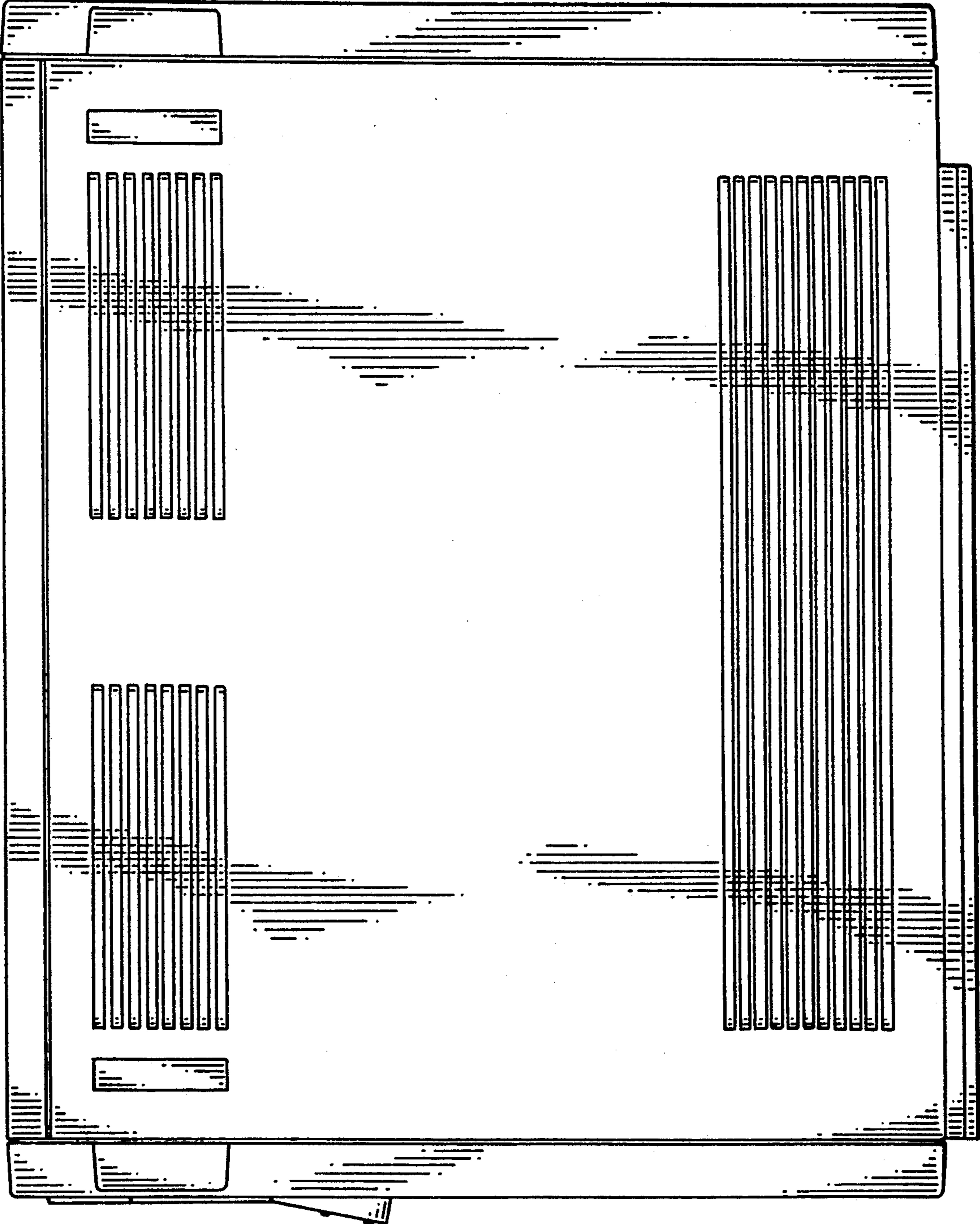


FIG. 2

FIG. 3



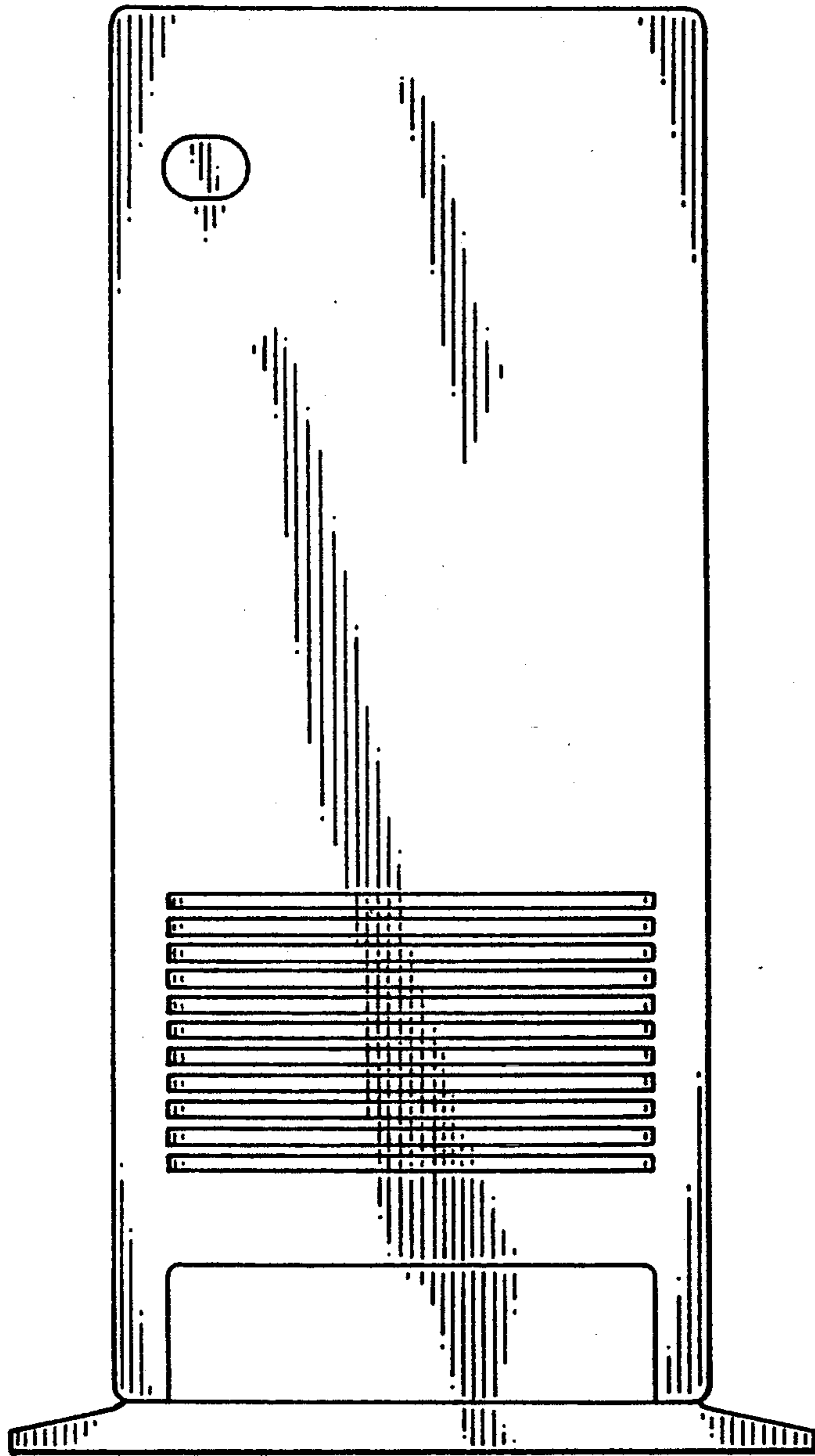


FIG. 4

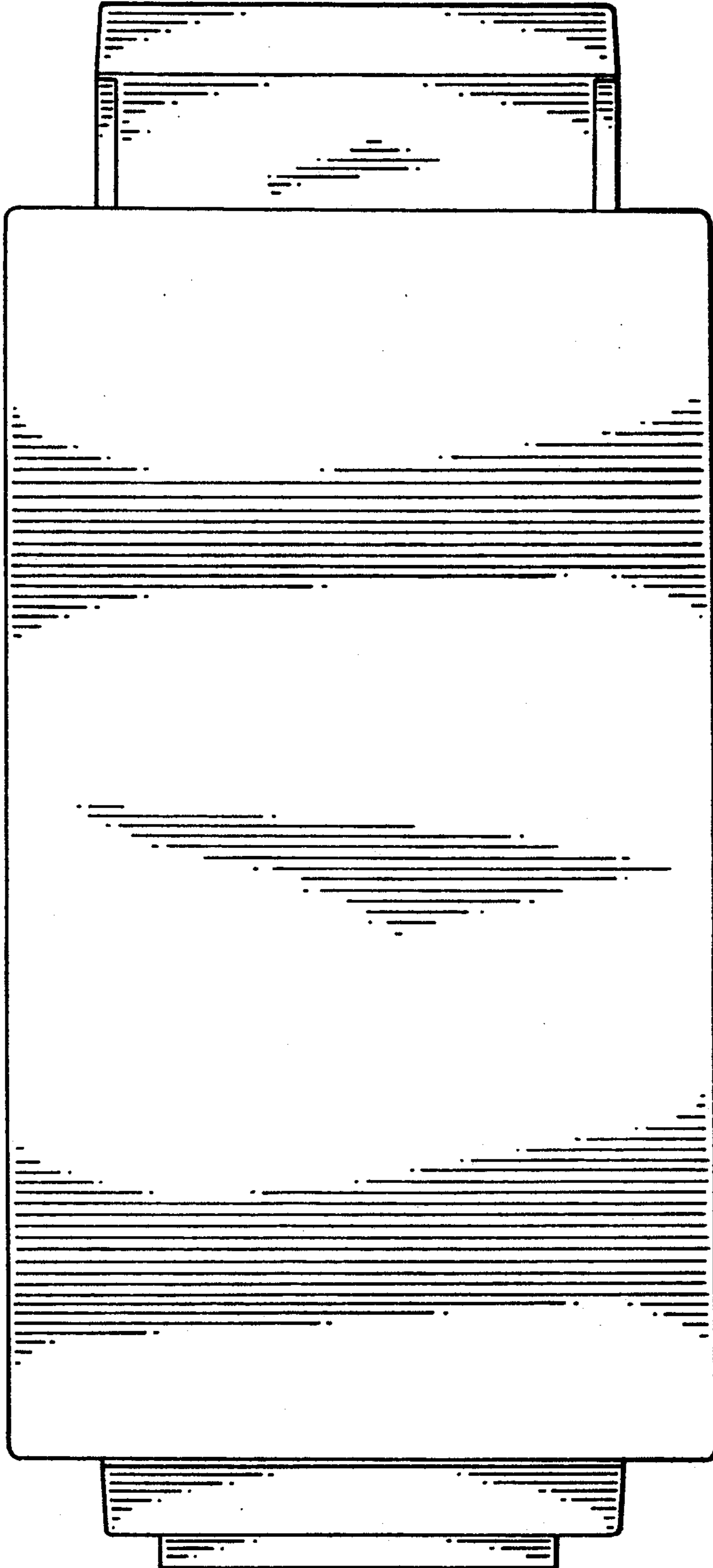


FIG. 5