



US00D335651S

United States Patent [19]

[11] Patent Number: **Des. 335,651**

Jones et al.

[45] Date of Patent: **** May 18, 1993**

[54] **AUXILIARY POWER UNIT FOR USE WITH COMPUTER SYSTEMS**

4,985,806 1/1991 Mazzullo et al. 361/392

[75] Inventors: **Bruce A. Jones, Ulster Park; John J. Natoli, Woodstock, both of N.Y.**

[73] Assignee: **International Business Machines Corporation, Armonk, N.Y.**

[**] Term: **14 Years**

[21] Appl. No.: **577,429**

[22] Filed: **Sep. 4, 1990**

[52] U.S. Cl. **D14/100; D14/109**

[58] Field of Search **D14/100, 102, 105, 107, D14/109; D13/184, 199, 110, 119, 160; 360/98.01-99.12; 361/390-395**

OTHER PUBLICATIONS

Advanced Digital Information Corp. ©1987 Data Library (ADIC).

NEC Corp. May 20, 1987 CD Rom Unit PC-CD101.

Primary Examiner—Wallace R. Burke

Assistant Examiner—F. Nunn

Attorney, Agent, or Firm—Mark S. Walker; William A. Kinnaman, Jr.

[57] CLAIM

The ornamental design for an auxiliary power unit for use with computer systems, as shown and described.

DESCRIPTION

FIG. 1 is a top front and right side perspective view of an auxiliary power unit for use with computer systems showing our new design;

FIG. 2 is an elevational view thereof;

FIG. 3 is a top rear and left side perspective view thereof;

FIG. 4 is a rear elevational view thereof; and,

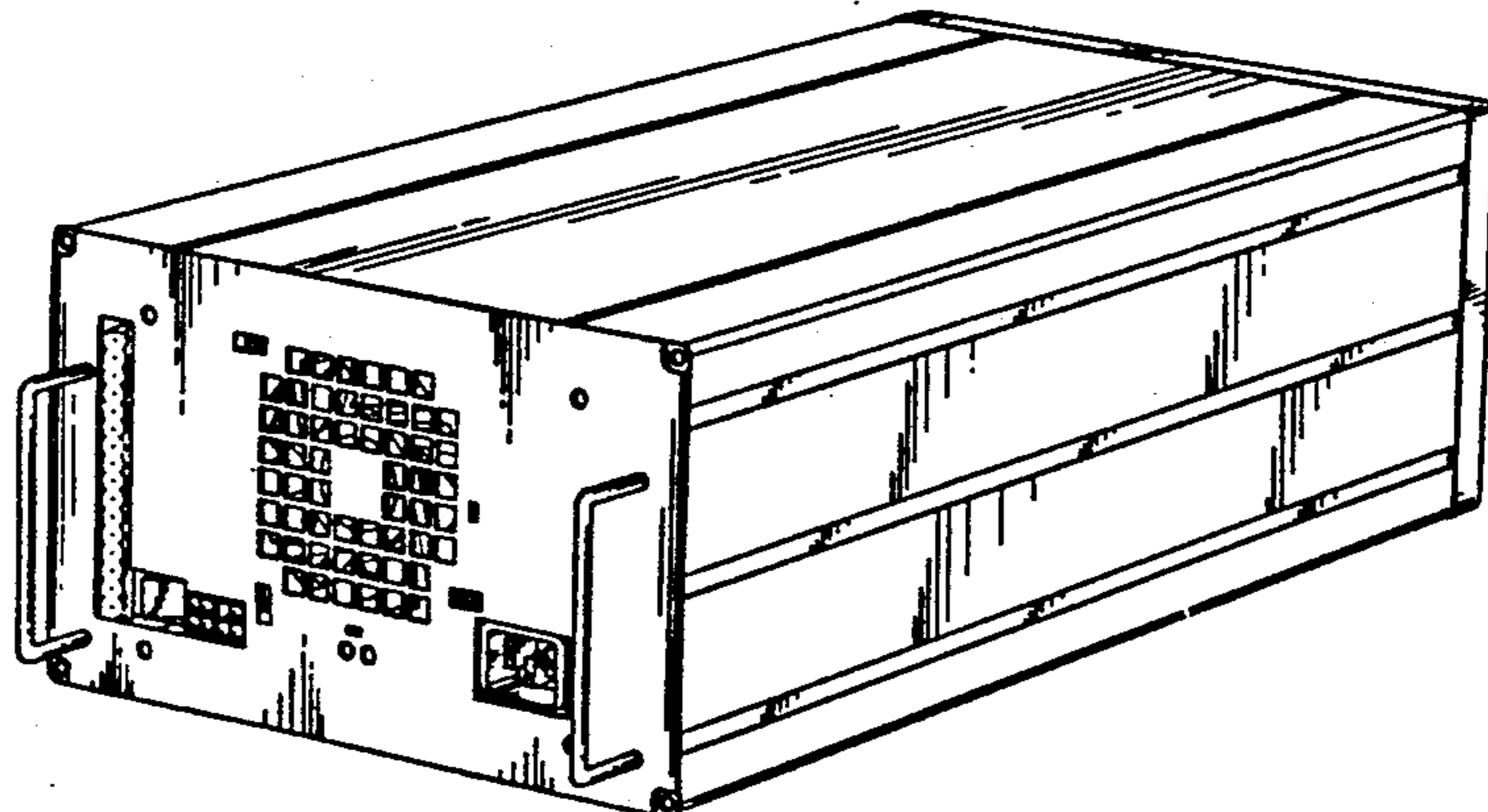
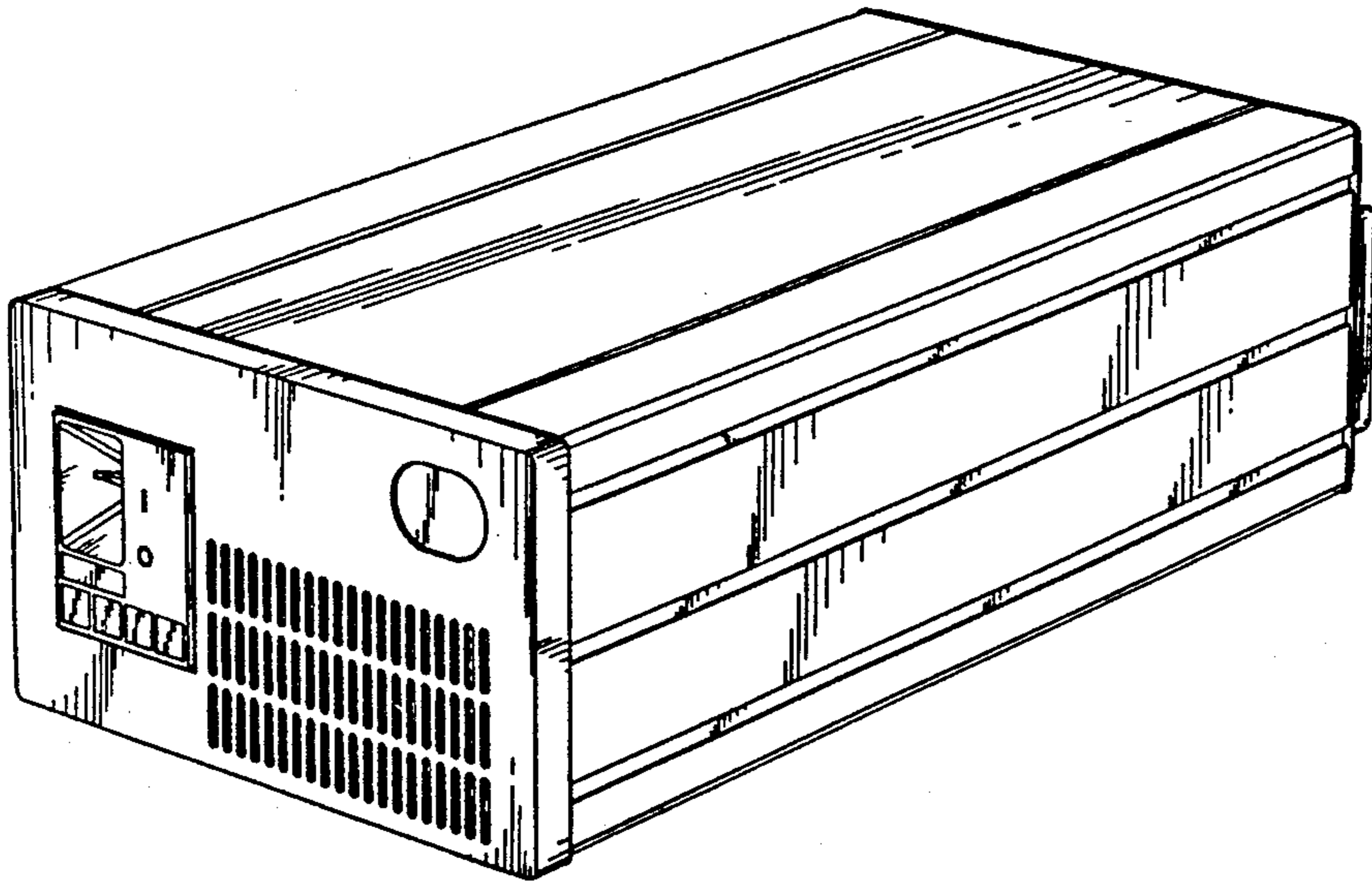
FIG. 5 is a left side elevational view thereof.

FIGS. 2, 4 and 5 are drawn on an enlarged scale.

[56] References Cited

U.S. PATENT DOCUMENTS

D. 286,049	10/1986	Nishida	D14/107
D. 290,844	7/1987	Shibuya et al.	D14/107
D. 304,933	12/1989	Sutoh	D14/105
D. 308,047	5/1990	Aderman et al.	D14/100
D. 313,011	12/1990	Searle et al.	D14/100
D. 314,183	1/1991	Wong	D13/184



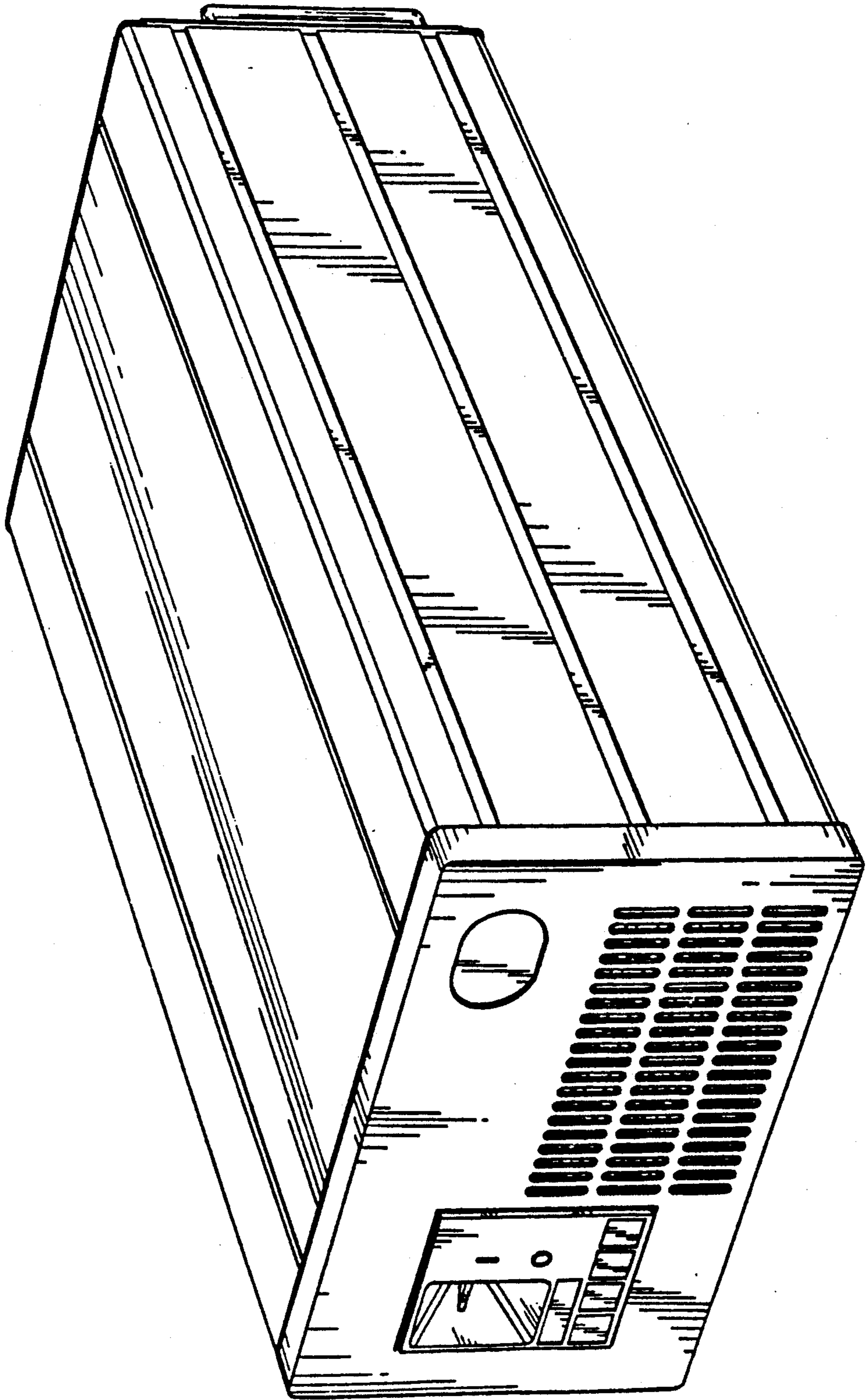


FIG. 1

FIG. 2

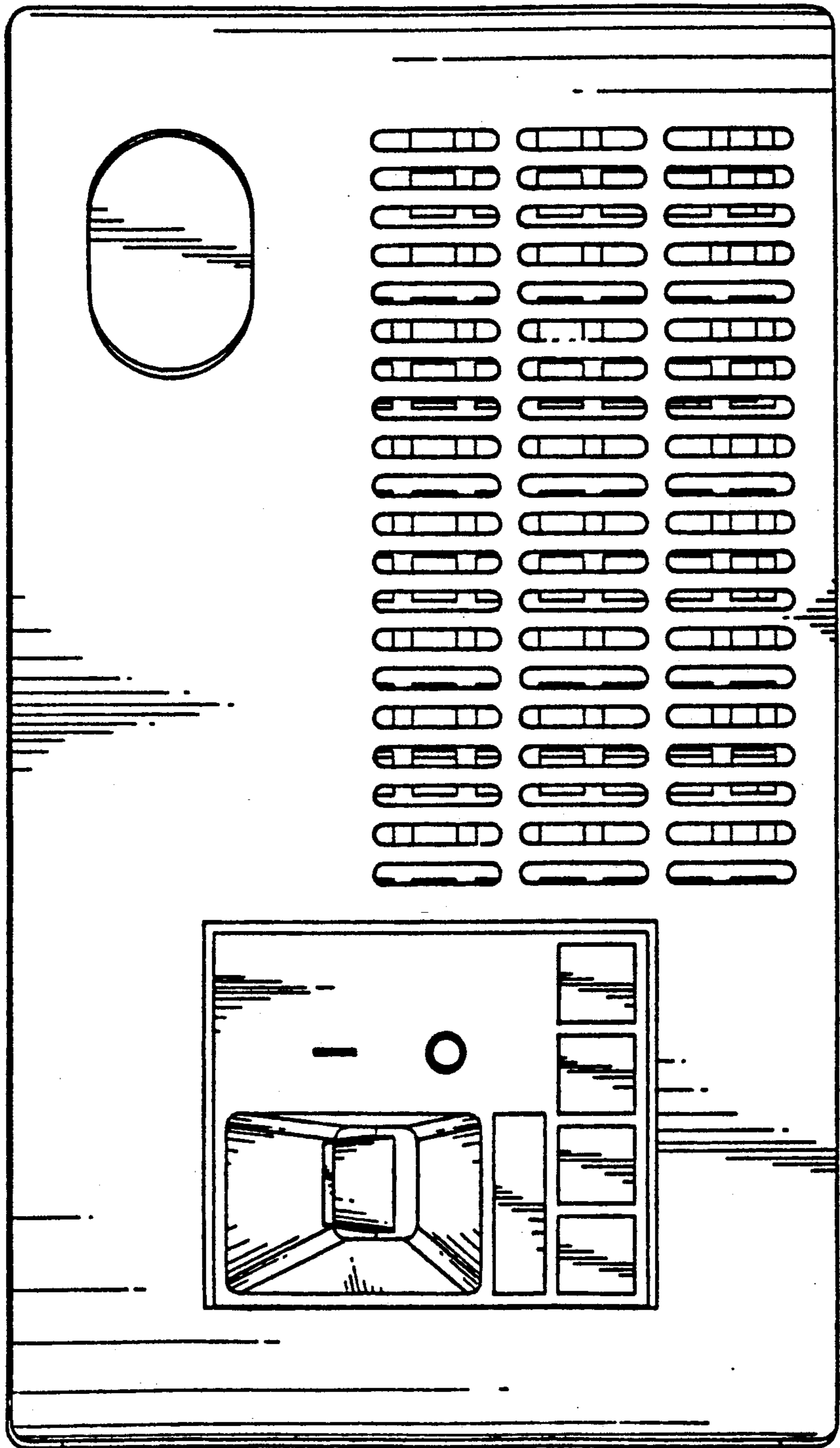


FIG. 3

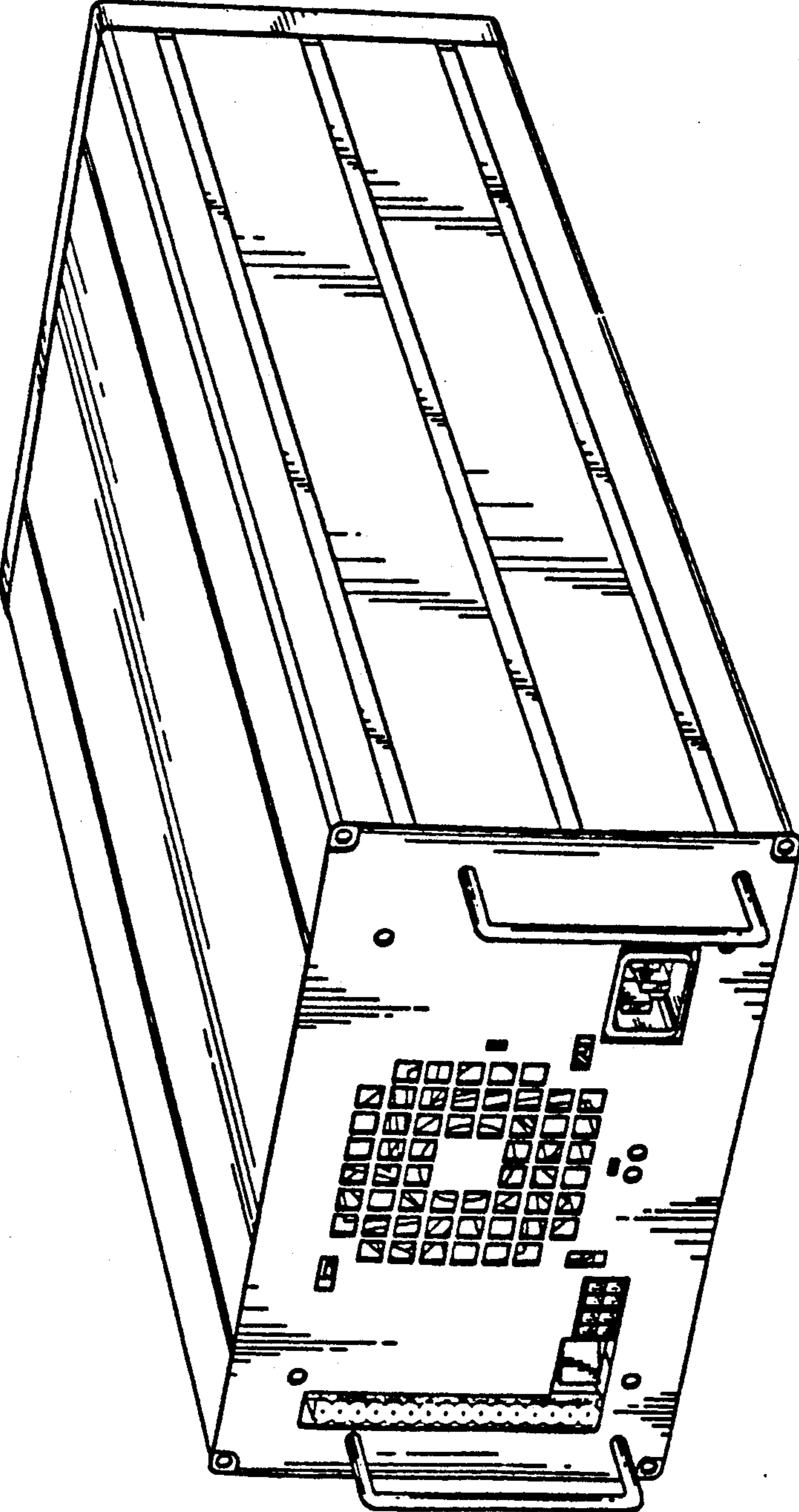


FIG. 4

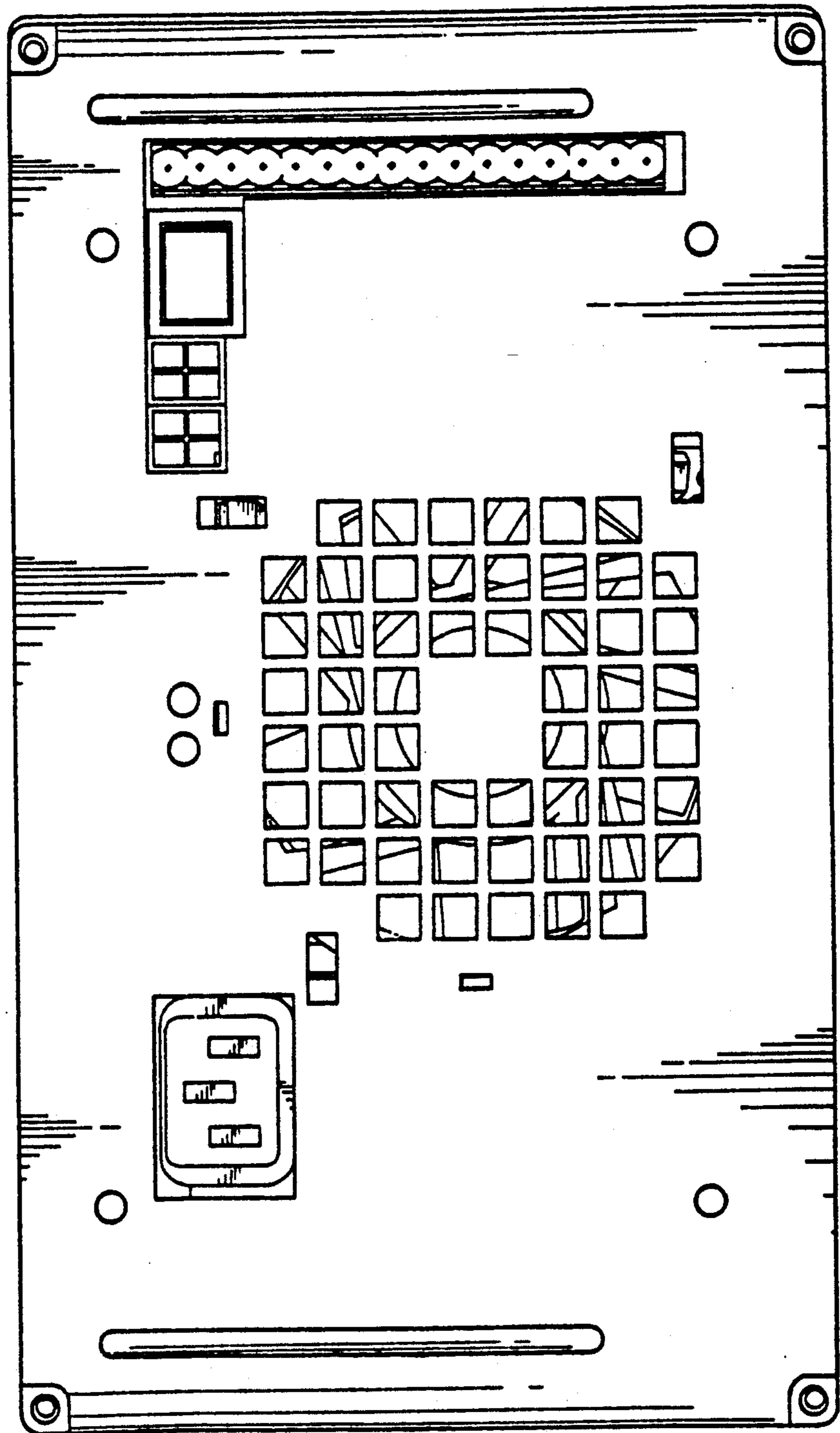


FIG. 5

