



US00D335649S

United States Patent [19]

[11] Patent Number: Des. 335,649

Ogawa

[45] Date of Patent: ** May 18, 1993

[54] ELECTRICAL CONNECTOR HOUSING

[75] Inventor: Shinji Ogawa, Suzuka, Japan

[73] Assignee: Sumitomo Wiring Systems, Ltd., Yokkaichi, Japan

[**] Term: 14 Years

[21] Appl. No.: 798,797

[22] Filed: Nov. 27, 1991

[30] Foreign Application Priority Data

Jun. 12, 1991 [JP] Japan 3-17425

[52] U.S. Cl. D13/147

[58] Field of Search D13/133, 146, 147; 439/282, 292, 483, 594, 352, 346, 345, 357, 354, 353, 358, 374

[56] References Cited

U.S. PATENT DOCUMENTS

- D. 323,486 1/1992 Kasugai et al. D13/147
- D. 324,033 2/1992 Kuzuno et al. D13/147
- 4,623,210 11/1986 Tsukakoshi 439/358
- 4,954,093 9/1990 Nadin D13/147 X
- 4,984,998 1/1991 Duncan et al. D13/147 X

Primary Examiner—Wallace R. Burke
Assistant Examiner—J. Sincavage

Attorney, Agent, or Firm—Sughrue, Mion, Zinn, Macpeak & Seas

[57] CLAIM

The ornamental design for an electrical connector housing, as shown and described.

DESCRIPTION

FIG. 1 is a front elevational view of an electrical connector housing showing my new design; FIG. 2 is a rear elevational view thereof; FIG. 3 is a top plan view thereof; FIG. 4 is a bottom plan view thereof; FIG. 5 is a right side elevational view thereof, the left side elevational view thereof being a mirror image; FIG. 6 is a cross-sectional view taken along line 6—6 of FIG. 1; FIG. 7 is a cross-sectional view taken along line 7—7 of FIG. 1; FIG. 8 is a cross-sectional view taken along lines 8—8 of FIG. 1; FIG. 9 is a cross-sectional view of portion 9¹—9¹ taken along line 9—9 of FIG. 1 shown on an enlarged scale; FIG. 10 is a bottom plan view thereof with a shutter plate thereof retracted; and, FIG. 11 is a front, top and right side perspective view thereof.

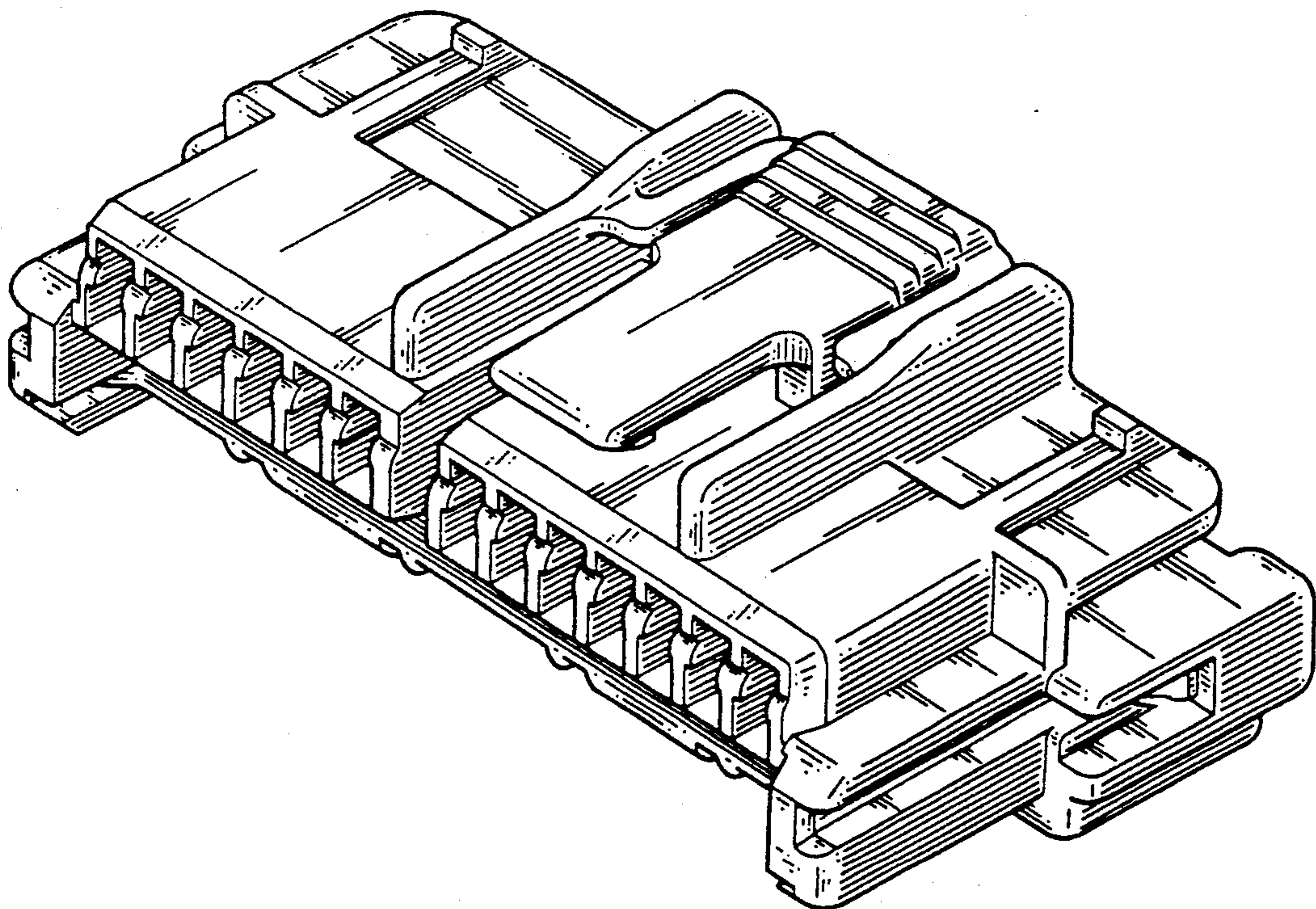


Fig. 1

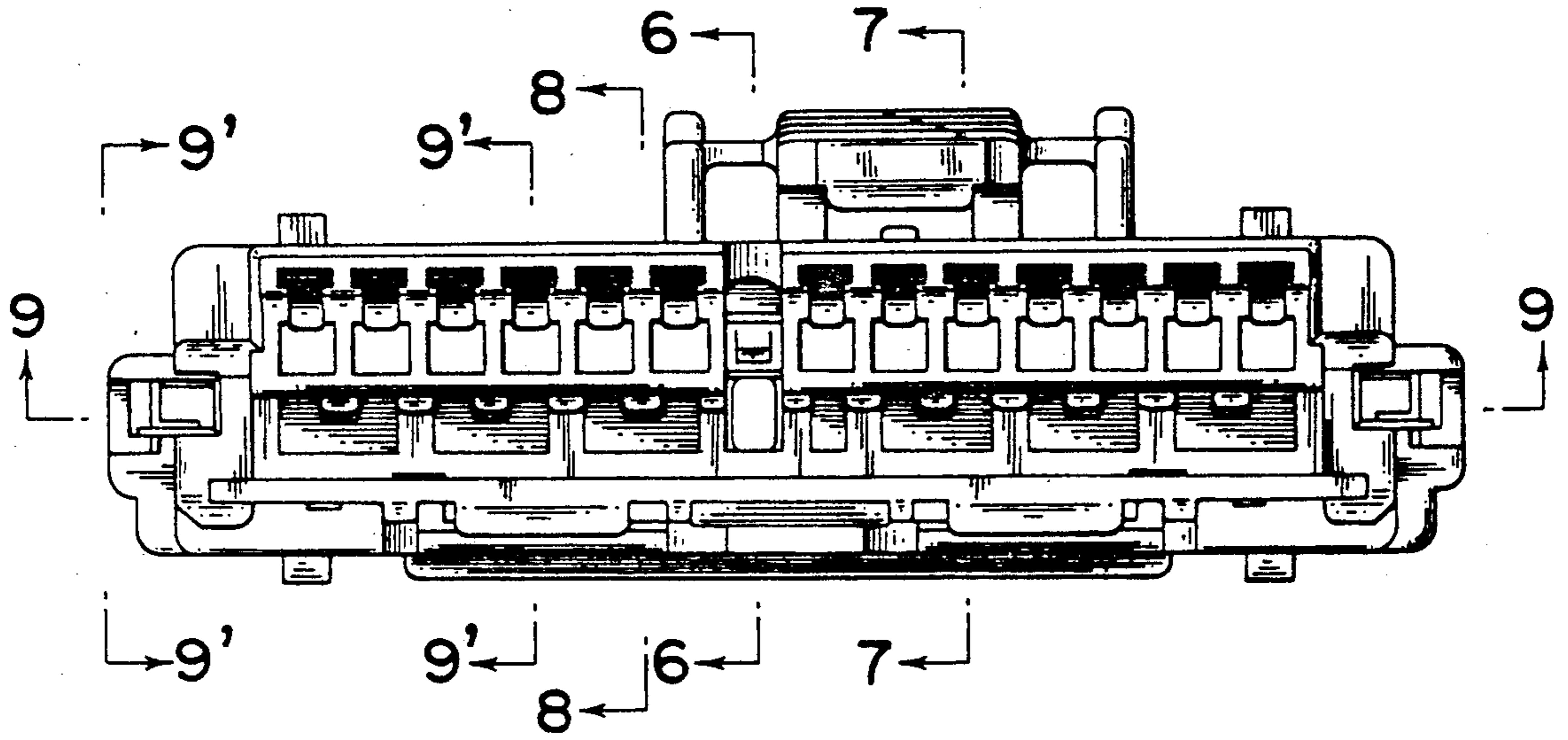


Fig. 2

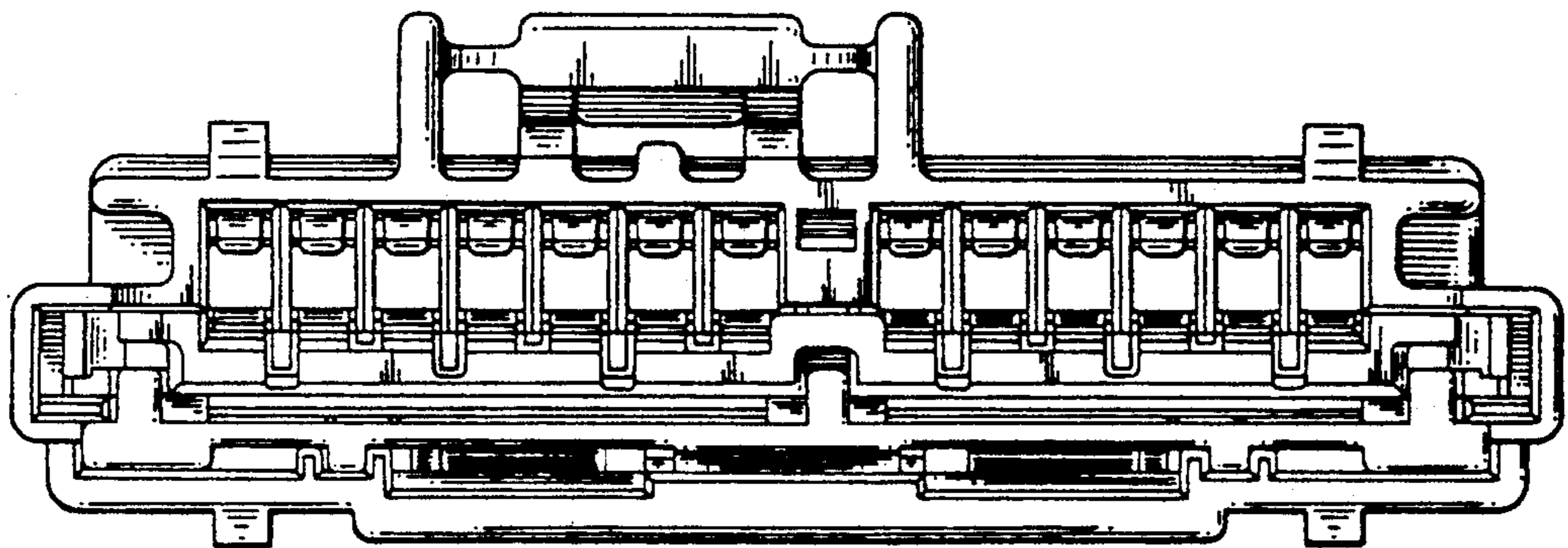


Fig. 3

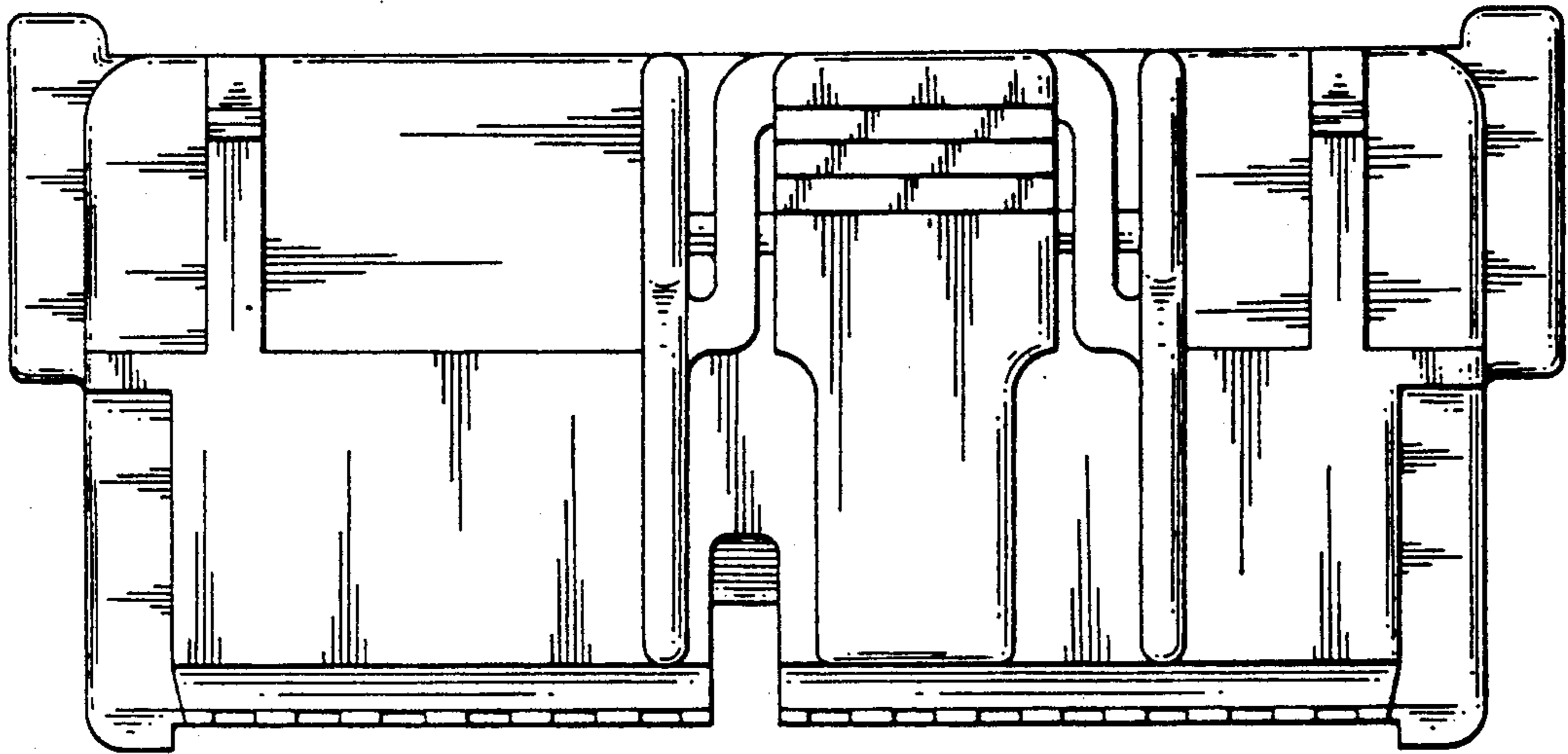


Fig. 4

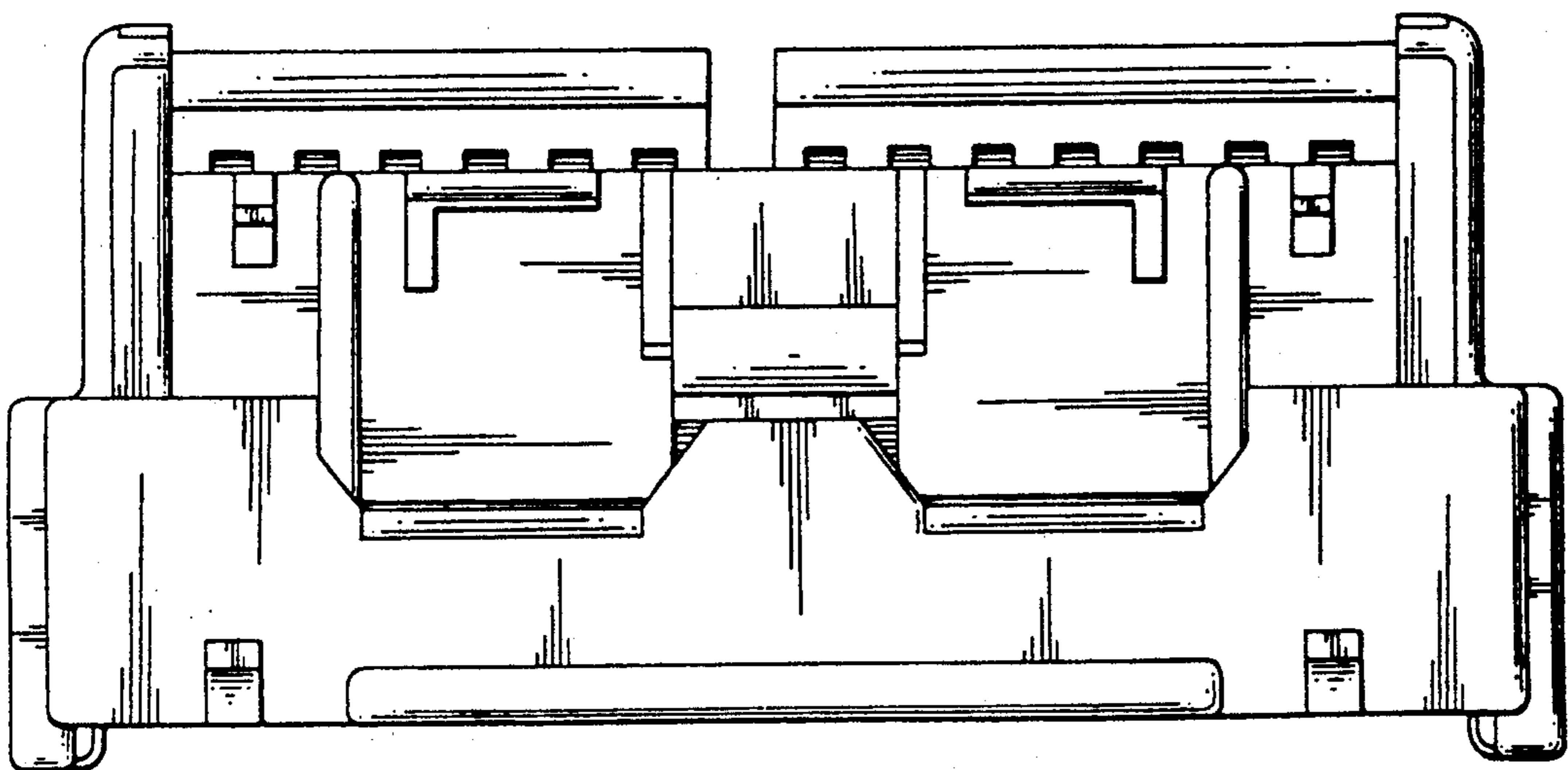


Fig. 5

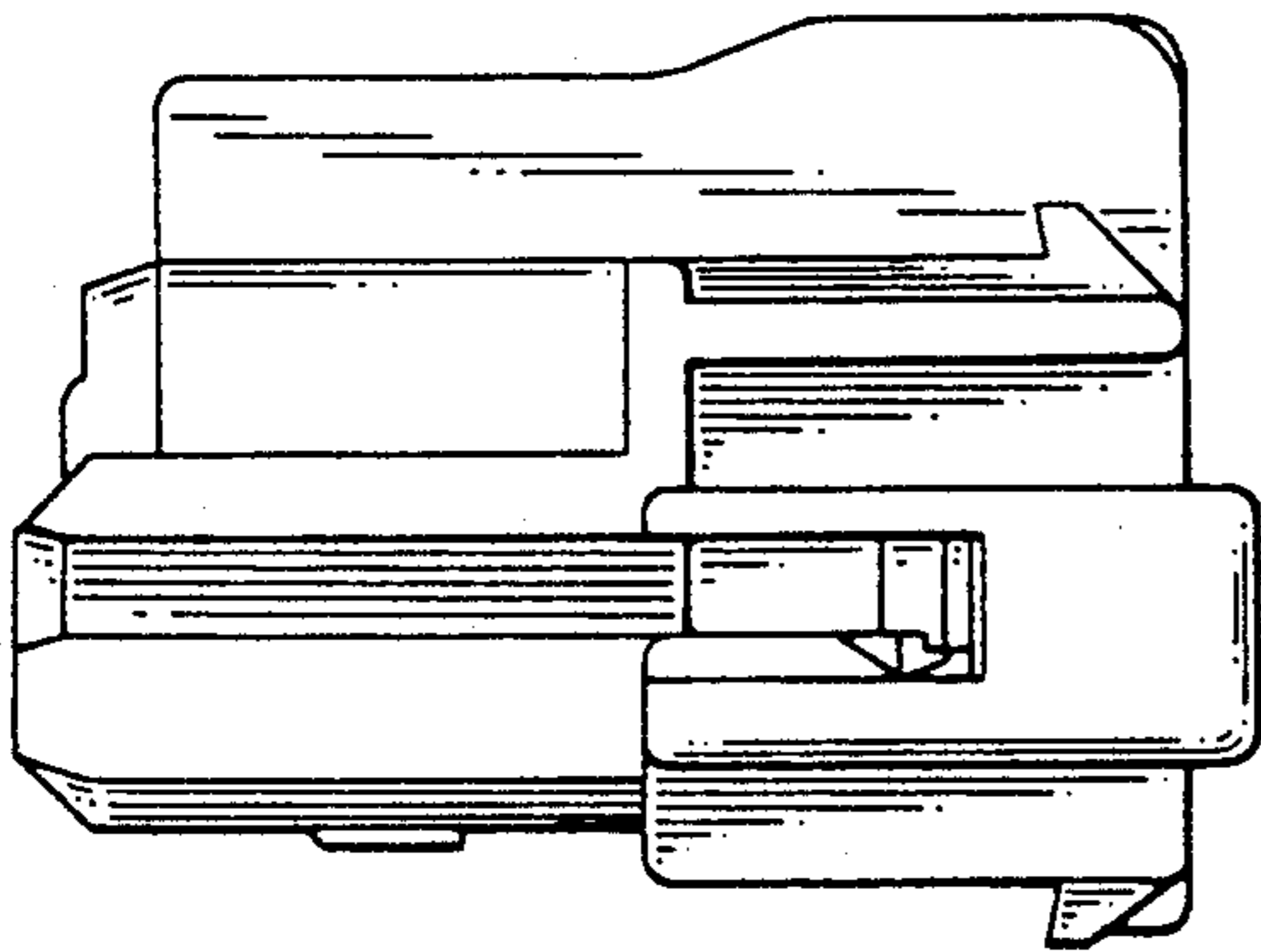


Fig. 6

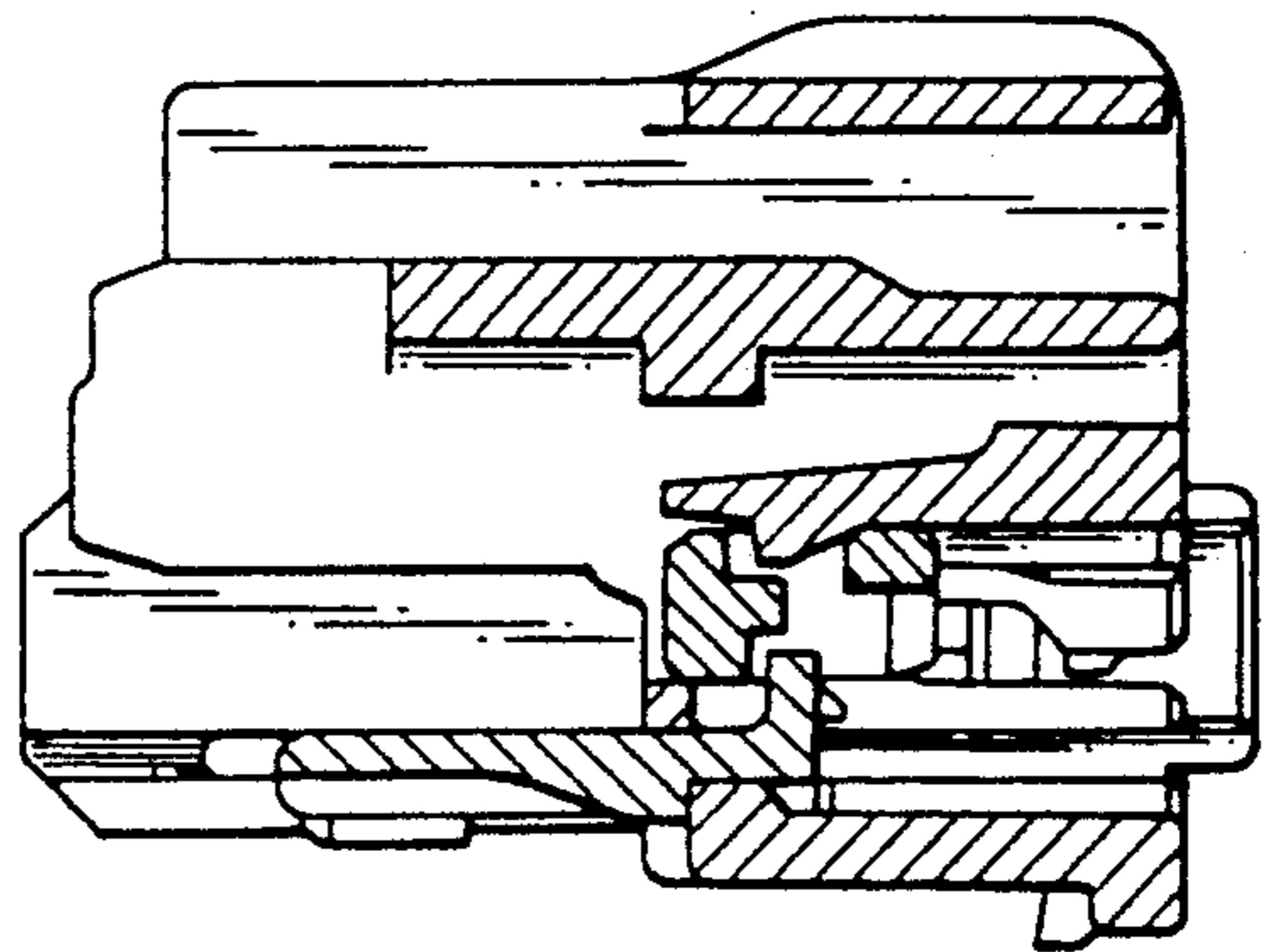


Fig. 7

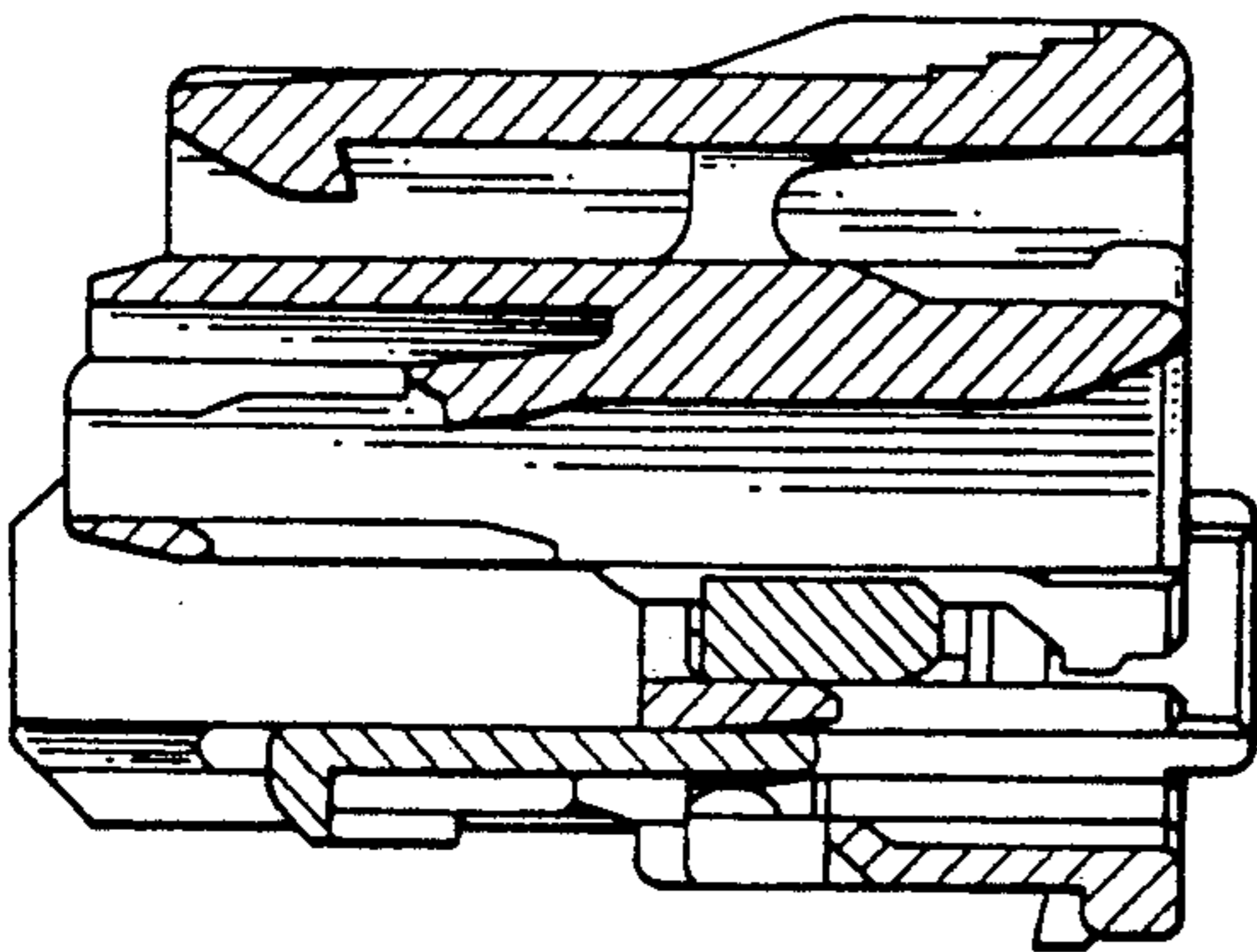


Fig. 8

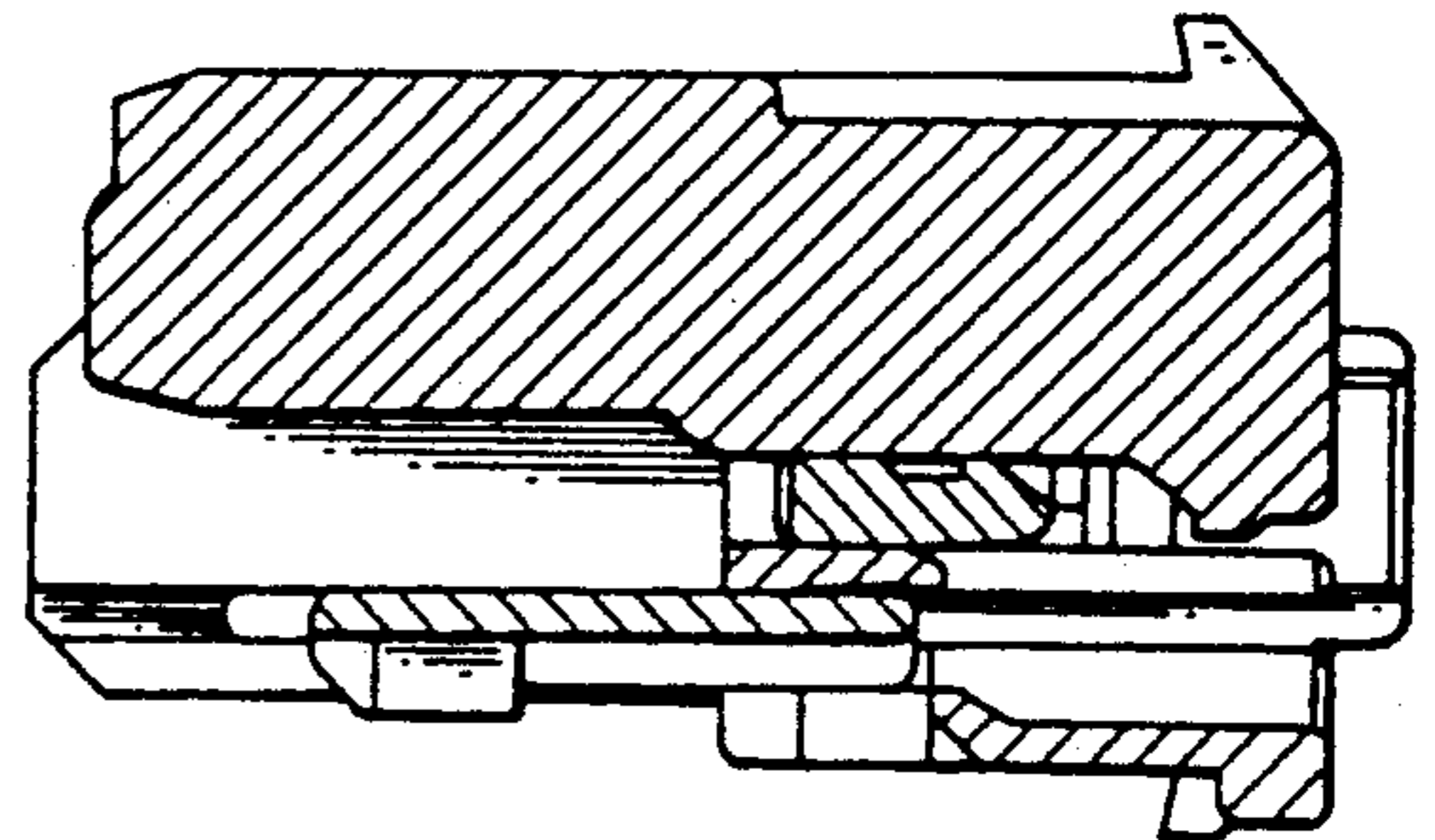


Fig. 9.

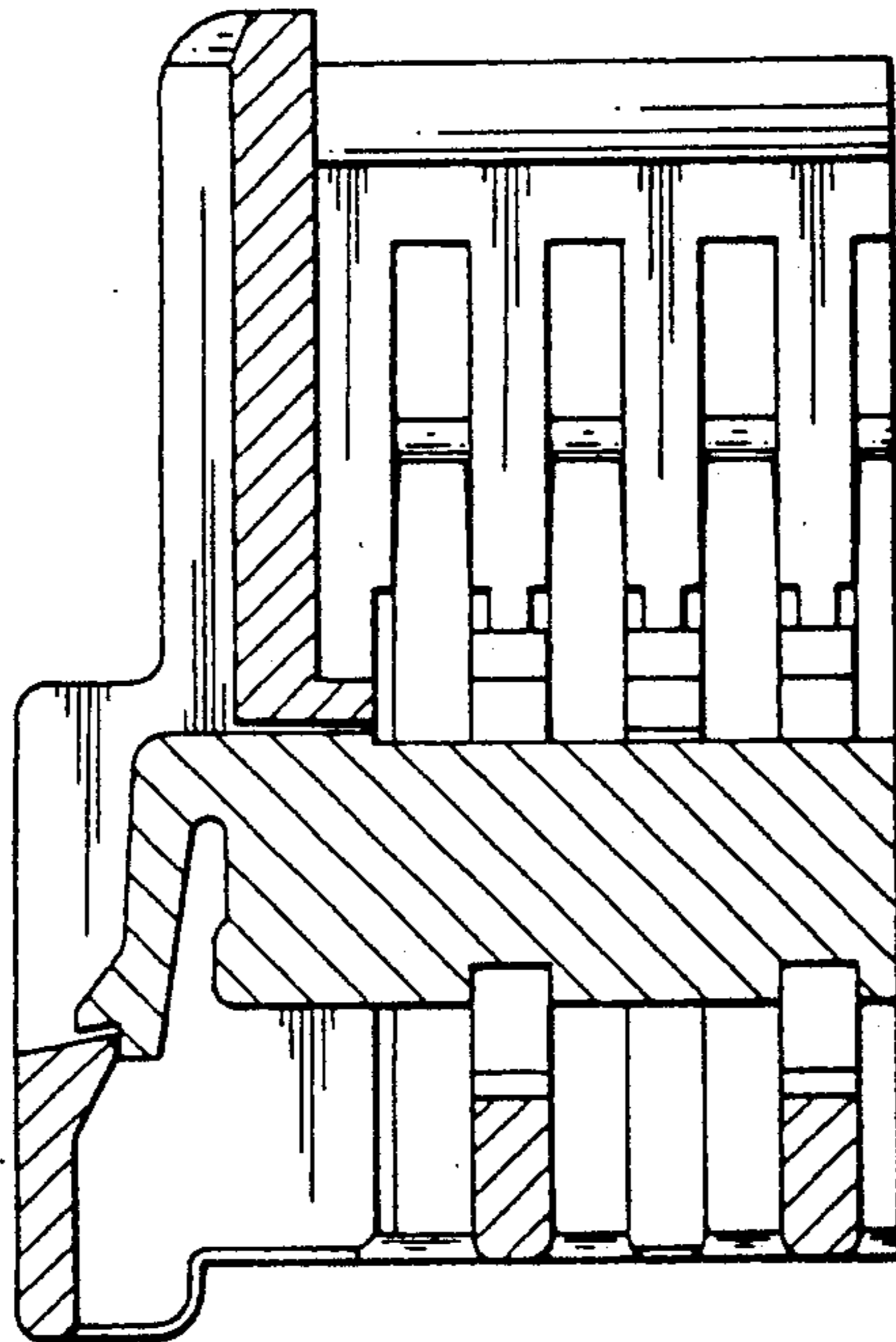


Fig. 10

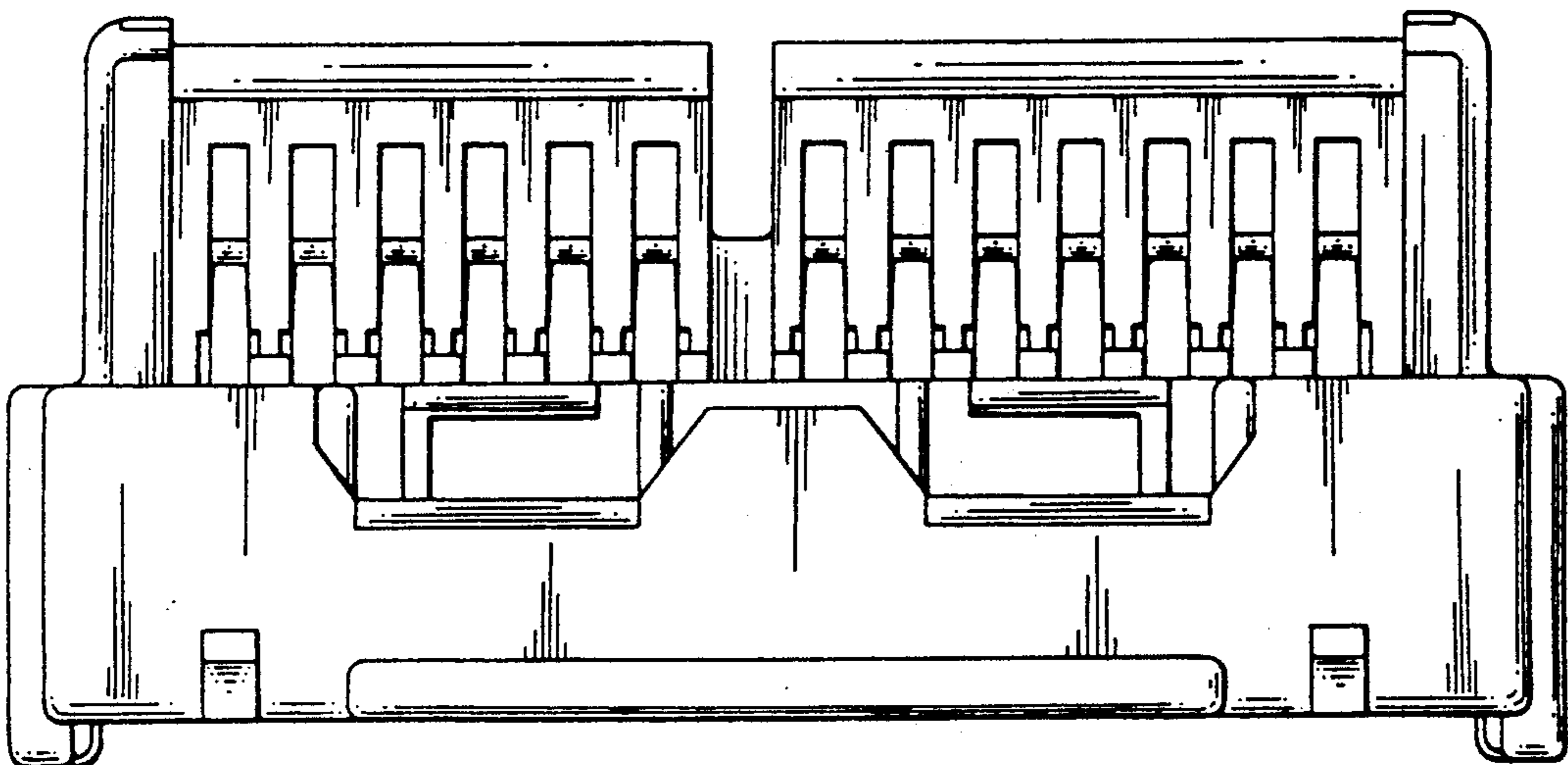


Fig. 11

