



US00D335646S

United States Patent [19]

[11] Patent Number: Des. 335,646

Silzer

[45] Date of Patent: ** May 18, 1993

[54] AUTOMOBILE WIND DEFLECTOR

[75] Inventor: Elmar Silzer, Laguna Beach, Calif.

[73] Assignee: Arvan, Inc., Gardena, Calif.

[**] Term: 14 Years

[21] Appl. No.: 795,653

[22] Filed: Nov. 20, 1991.

[52] U.S. Cl. D12/181

[58] Field of Search D12/181; 454/128, 131, 454/130, 134, 135; 296/180.1, 91

[56] References Cited

U.S. PATENT DOCUMENTS

D. 169,469	5/1953	Anderson	D12/181
2,281,840	5/1942	Hamilton	454/128
2,550,619	4/1951	Sutherland	454/135
2,696,154	12/1954	Eaton	454/135

FOREIGN PATENT DOCUMENTS

908696	10/1962	United Kingdom	454/135
--------	---------	----------------	-------	---------

Primary Examiner—James M. Gandy

Attorney, Agent, or Firm—Raymond Sun

[57] CLAIM

The ornamental design for an automobile wind deflector, as shown and described.

DESCRIPTION

FIG. 1 is a perspective view of an automobile wind deflector showing my new design in position of use on an automobile door it being understood that the fragmentary broken line showing of a portion of an automobile is for illustrative purposes only and forms no part of the claimed design;

FIG. 2 is an enlarged front elevational view thereof;

FIG. 3 is a right side elevational view of the deflector of FIG. 2;

FIG. 4 is a top plan view of the deflector of FIG. 2;

FIG. 5 is a rear elevational view of the deflector of FIG. 2;

FIG. 6 is a left side elevational view of the deflector of FIG. 2;

FIG. 7 is a bottom plan view of the deflector of FIG. 2;

FIG. 8 is a front elevational view of an automobile wind deflector showing a second embodiment of my new design;

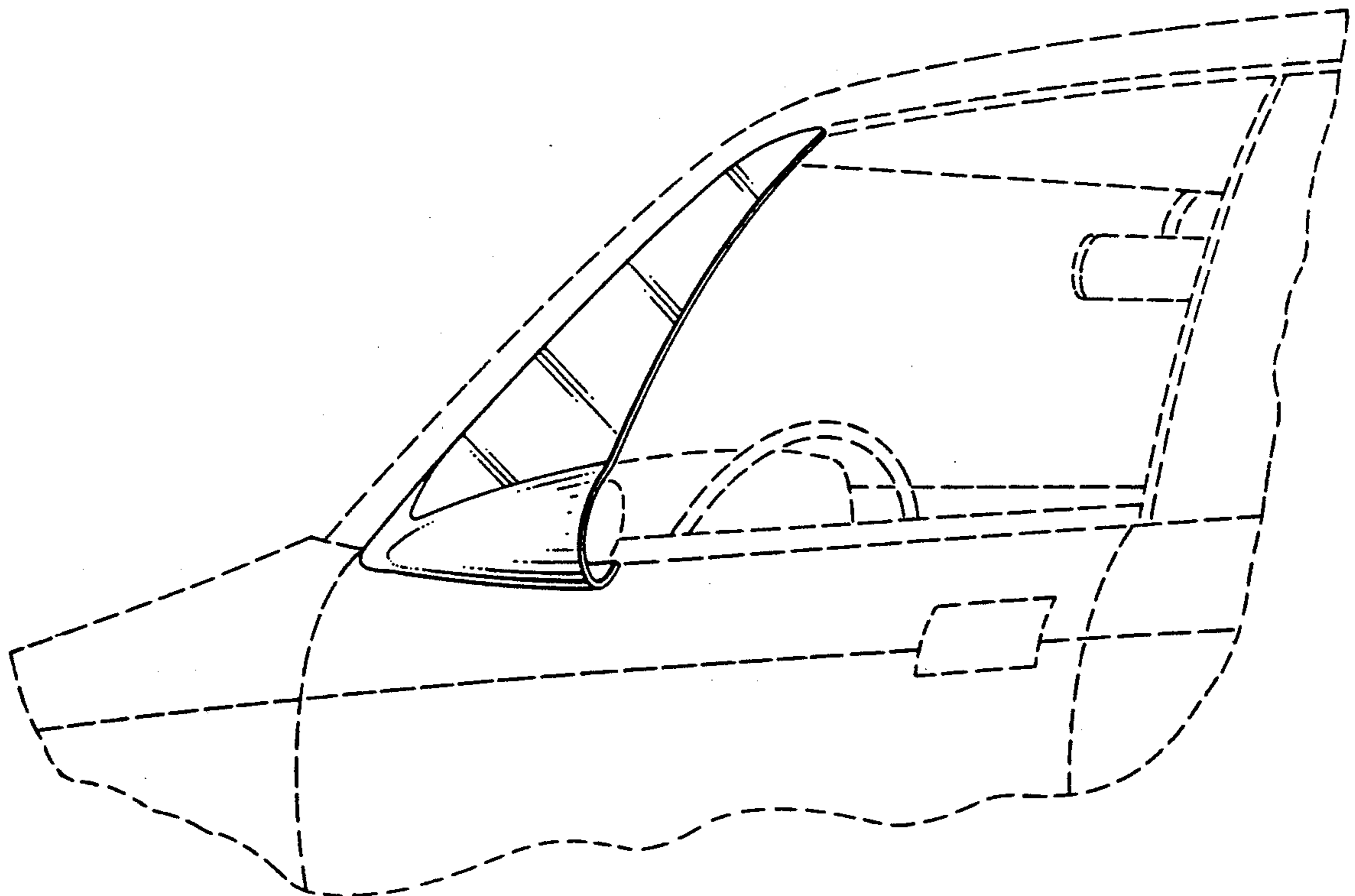
FIG. 9 is a right side elevational view of the deflector of FIG. 8;

FIG. 10 is a top plan view of the deflector of FIG. 8;

FIG. 11 is a rear elevational view of the deflector of FIG. 8;

FIG. 12 is a left side elevational view of the deflector of FIG. 8; and,

FIG. 13 is a bottom plan view of the deflector of FIG. 8.



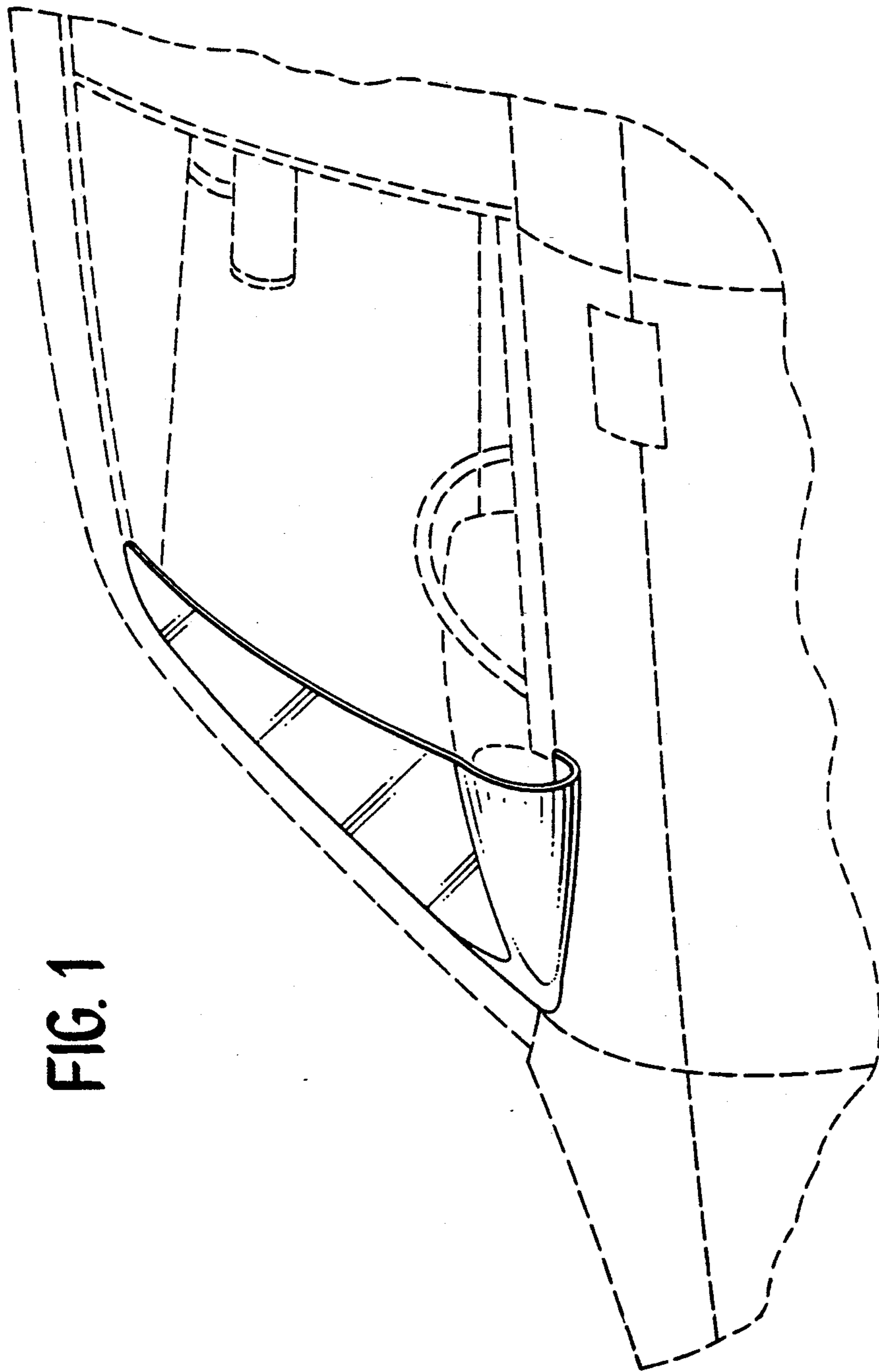


FIG. 1

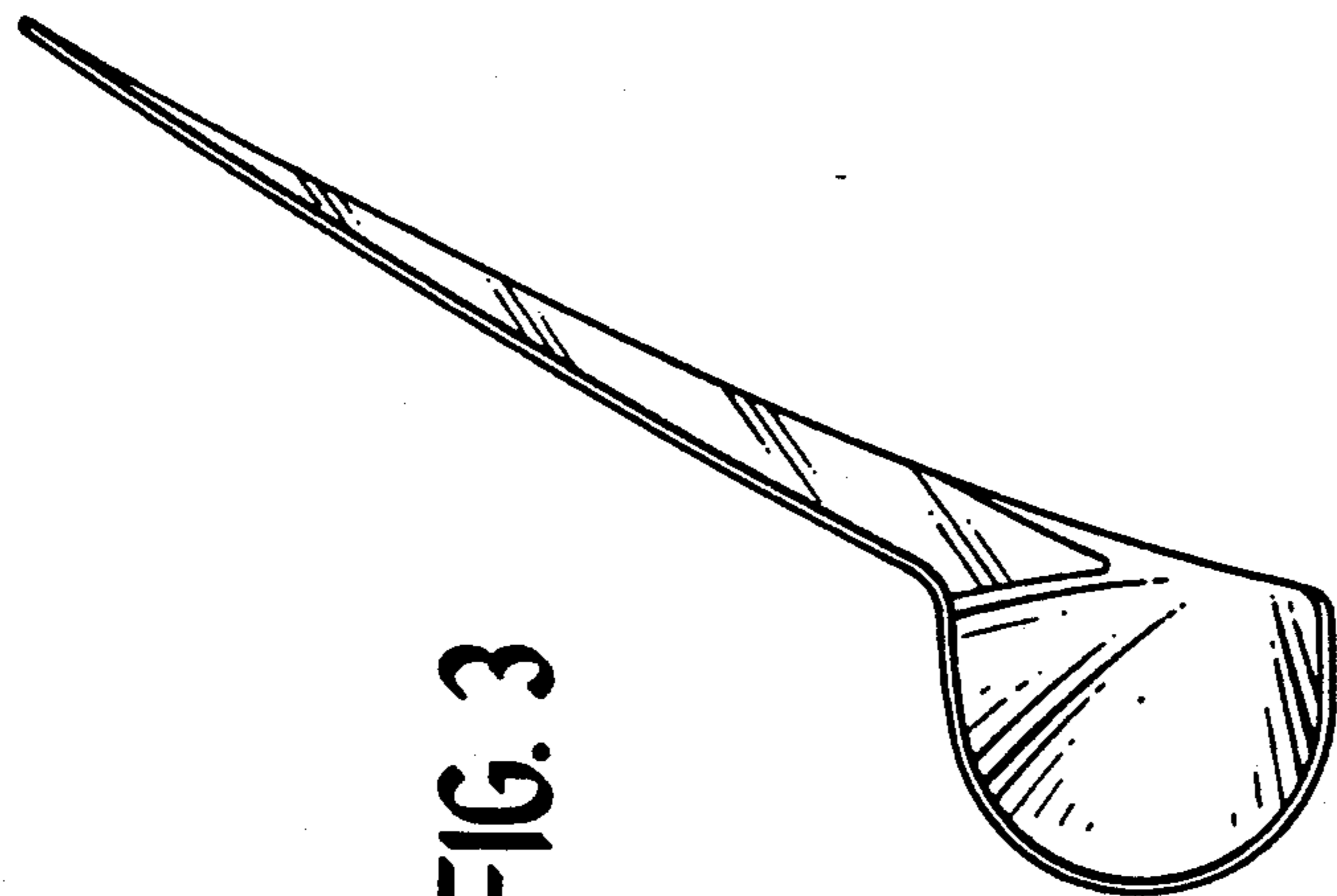


FIG. 3

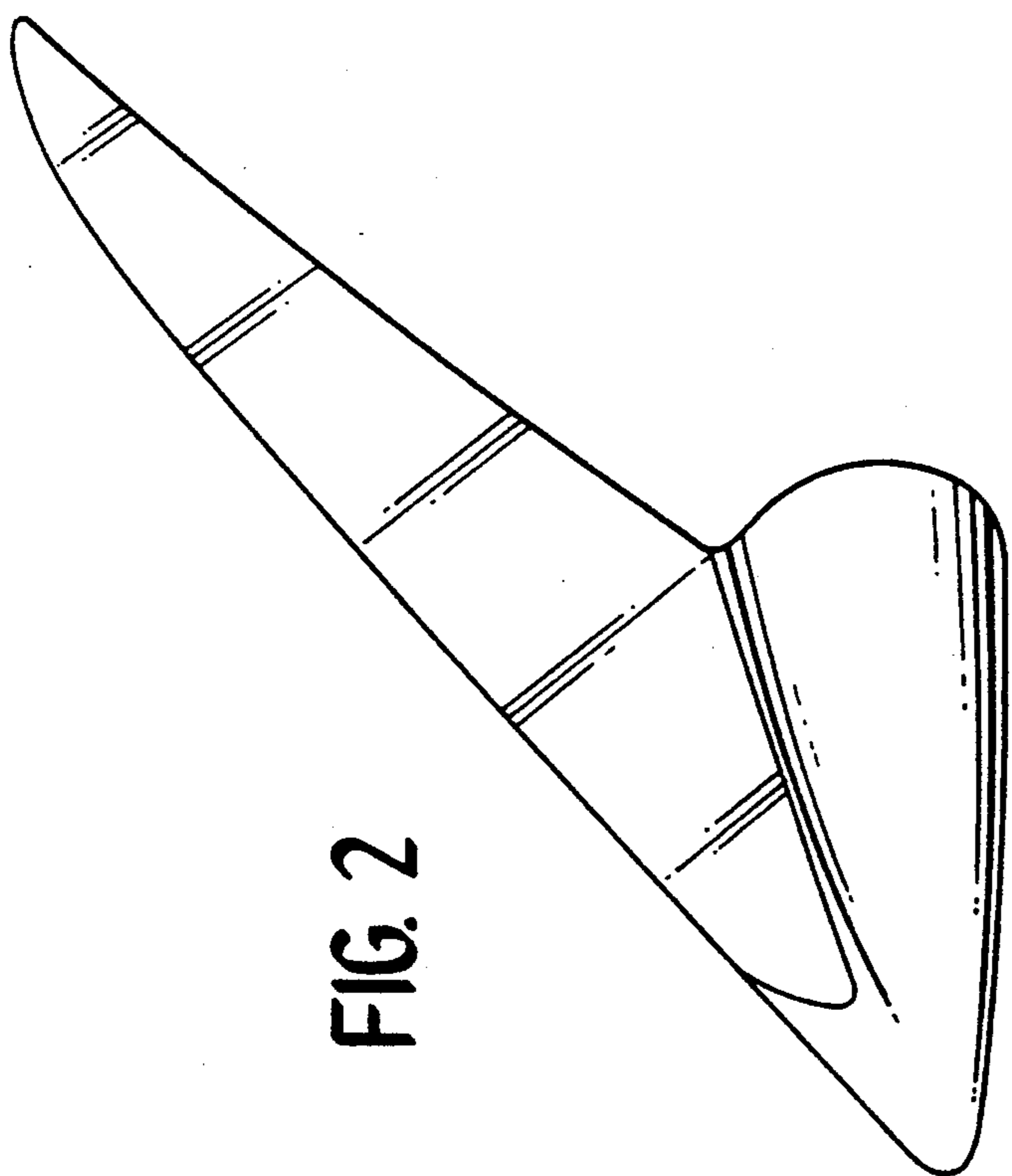


FIG. 2

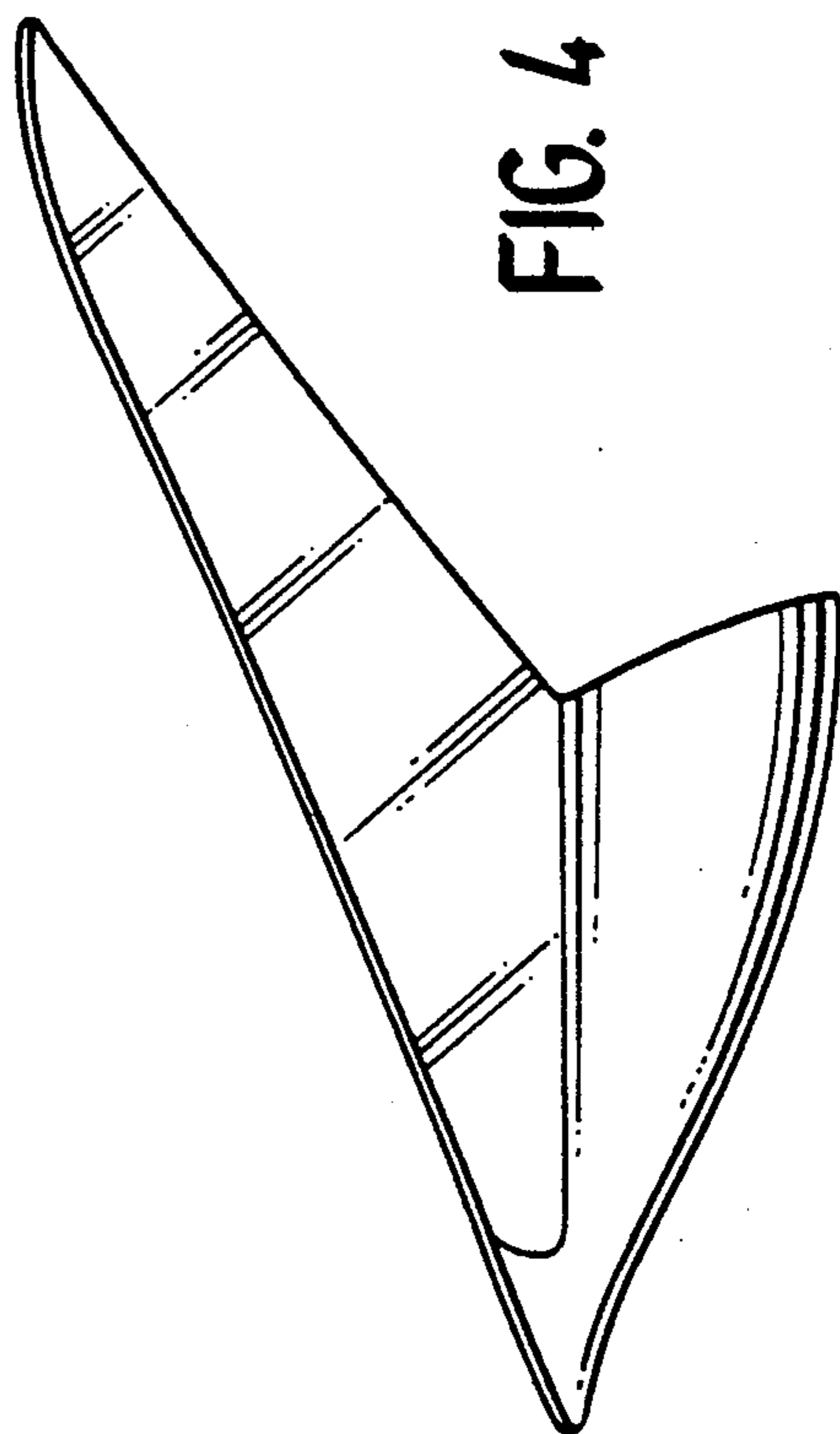


FIG. 4

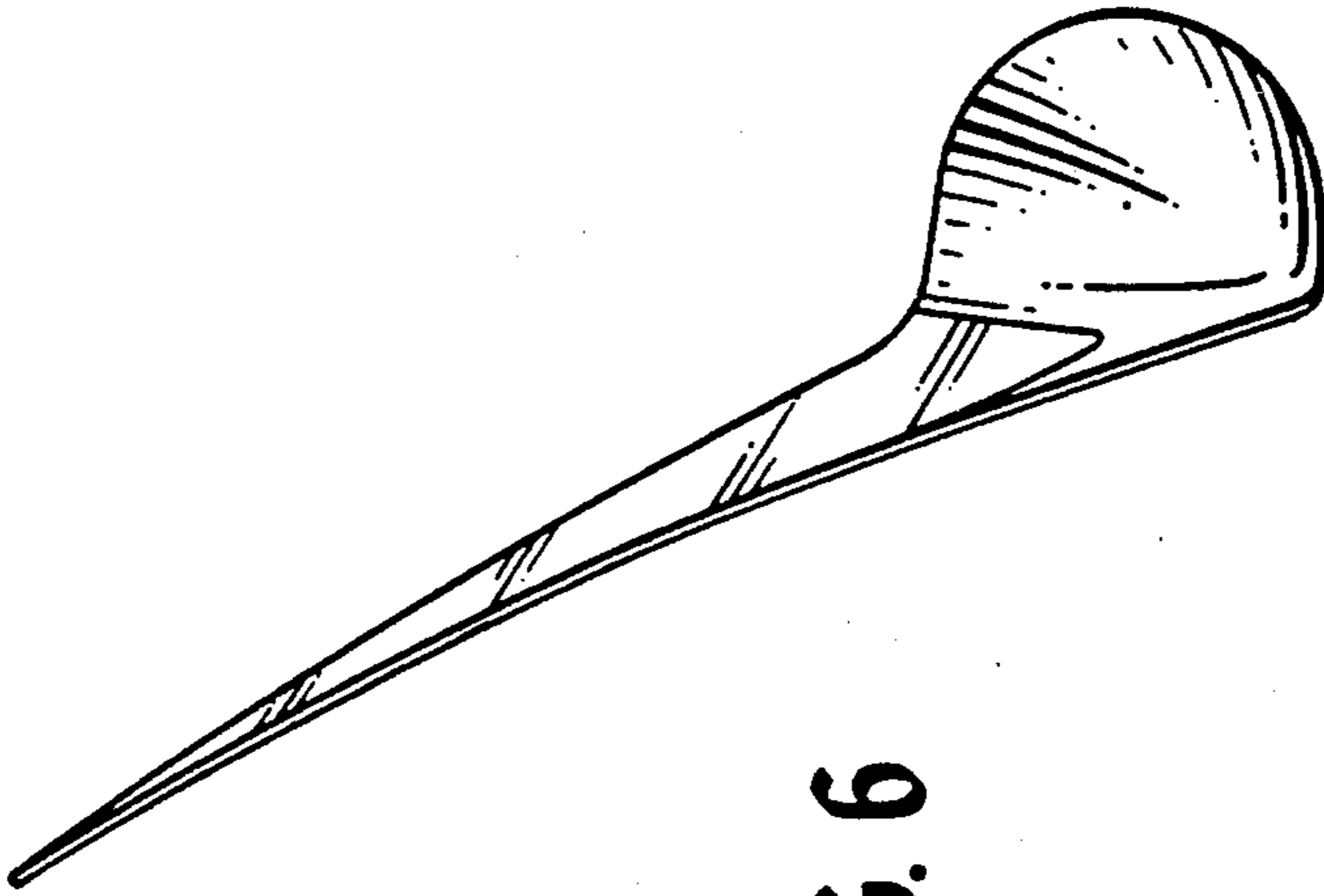


FIG. 6

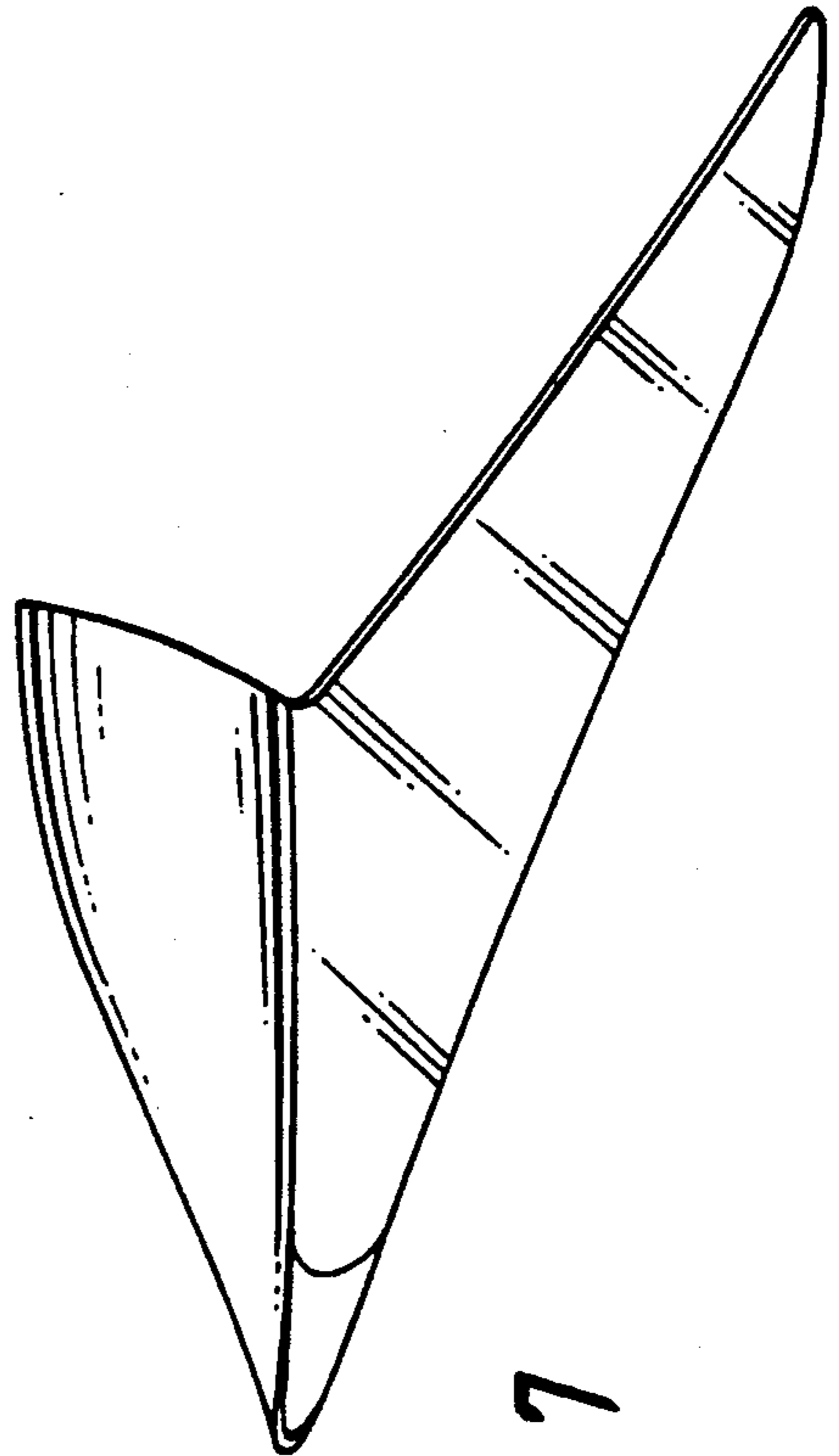


FIG. 7

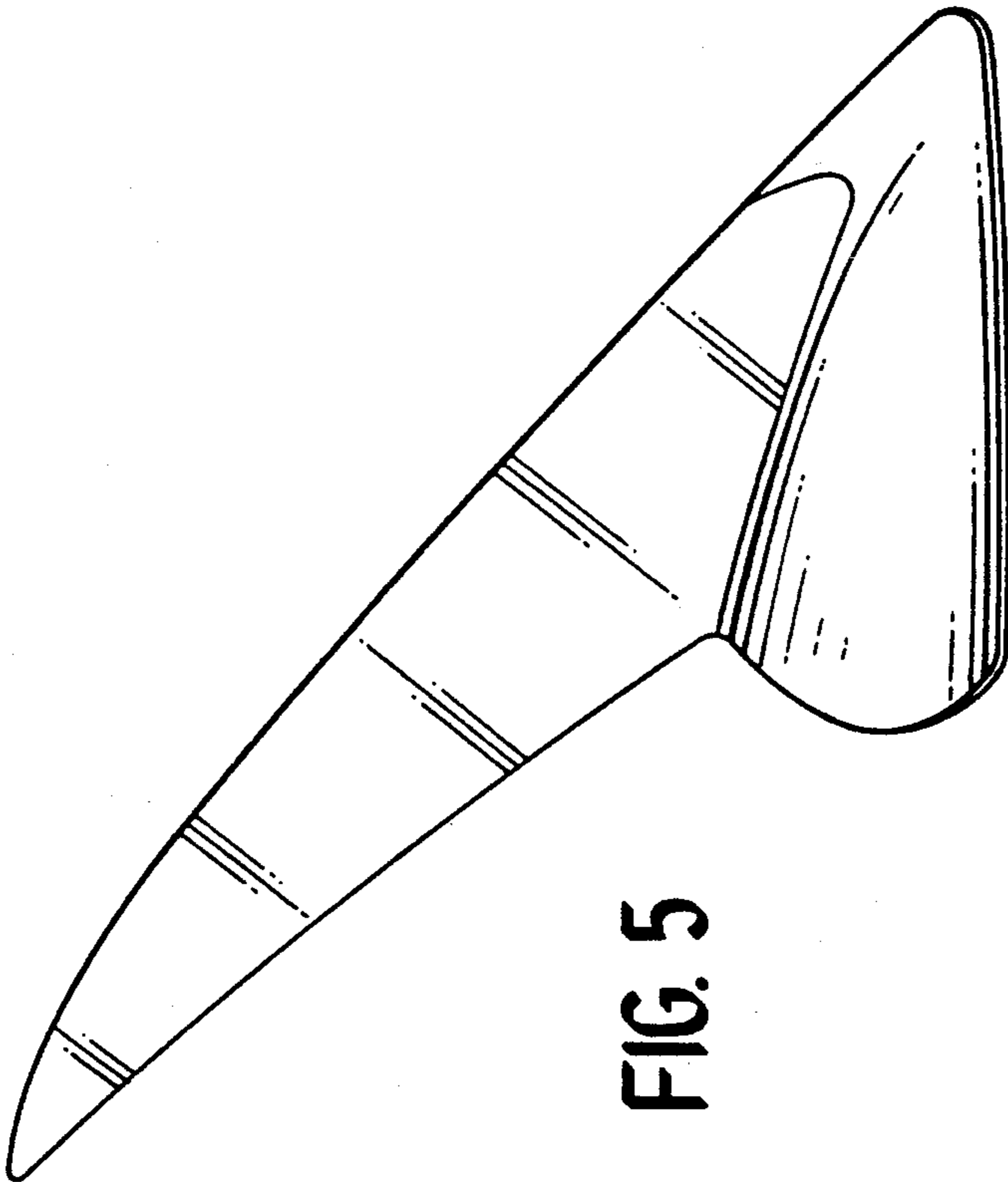


FIG. 5

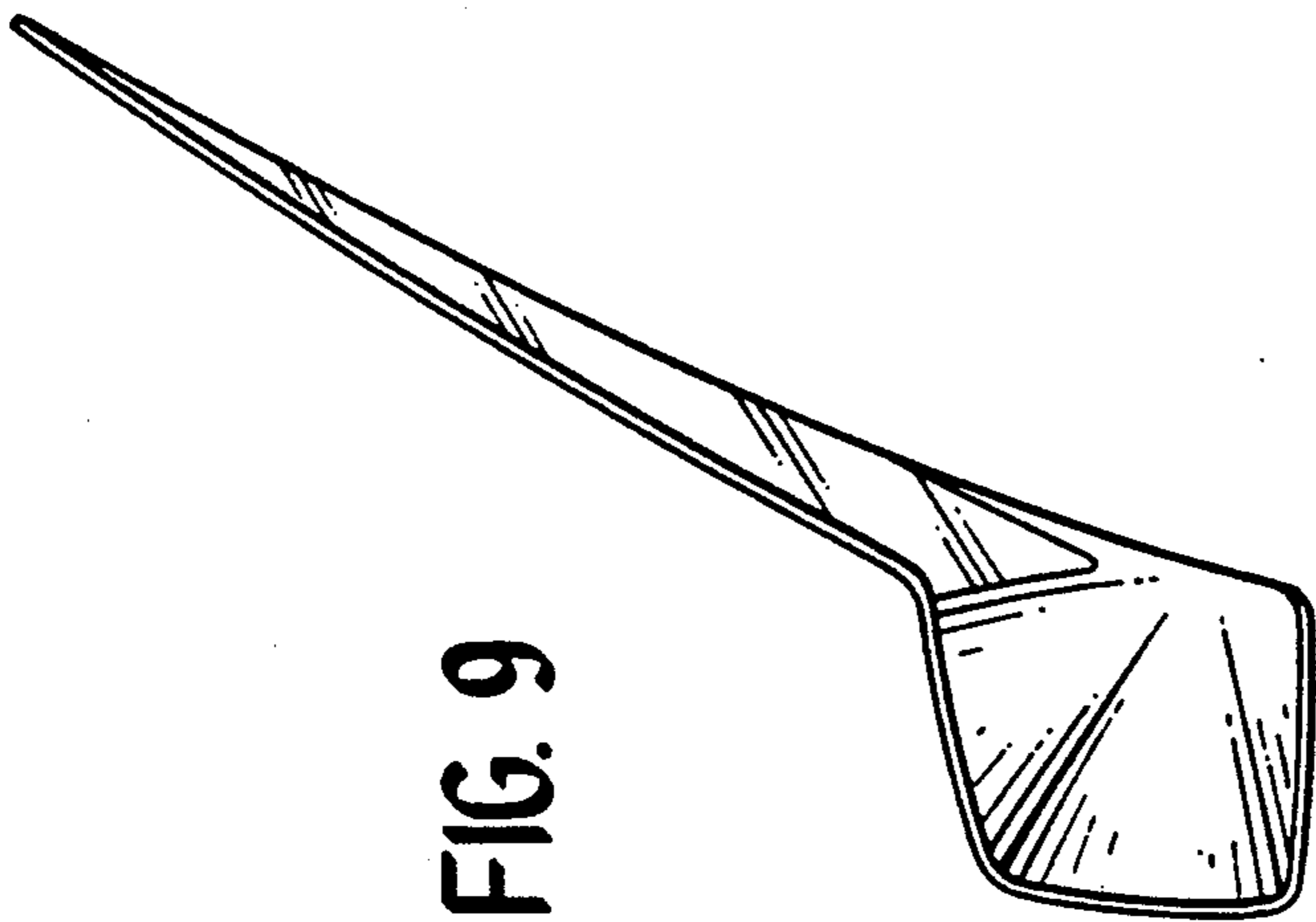


FIG. 9

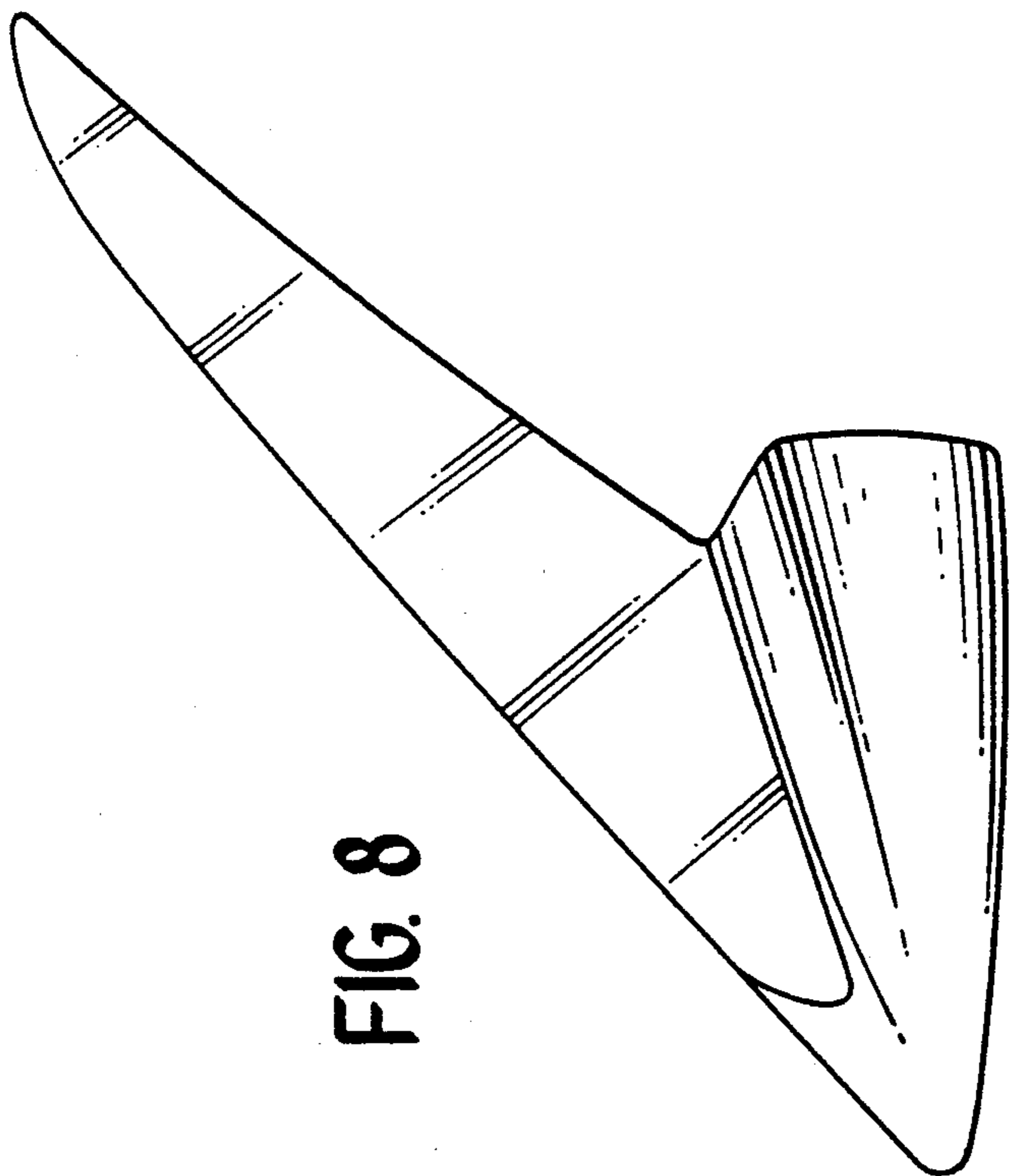


FIG. 8

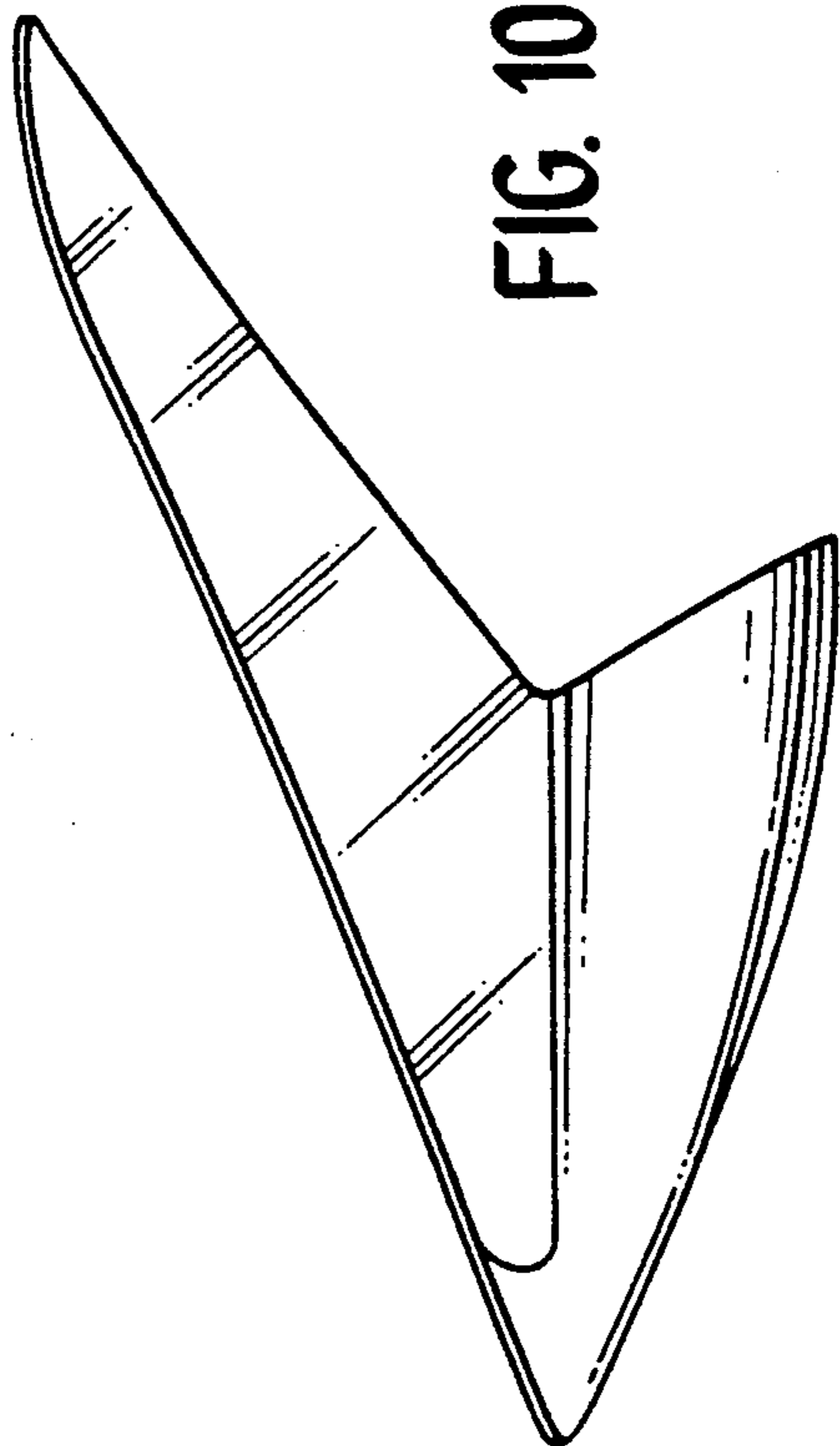


FIG. 10

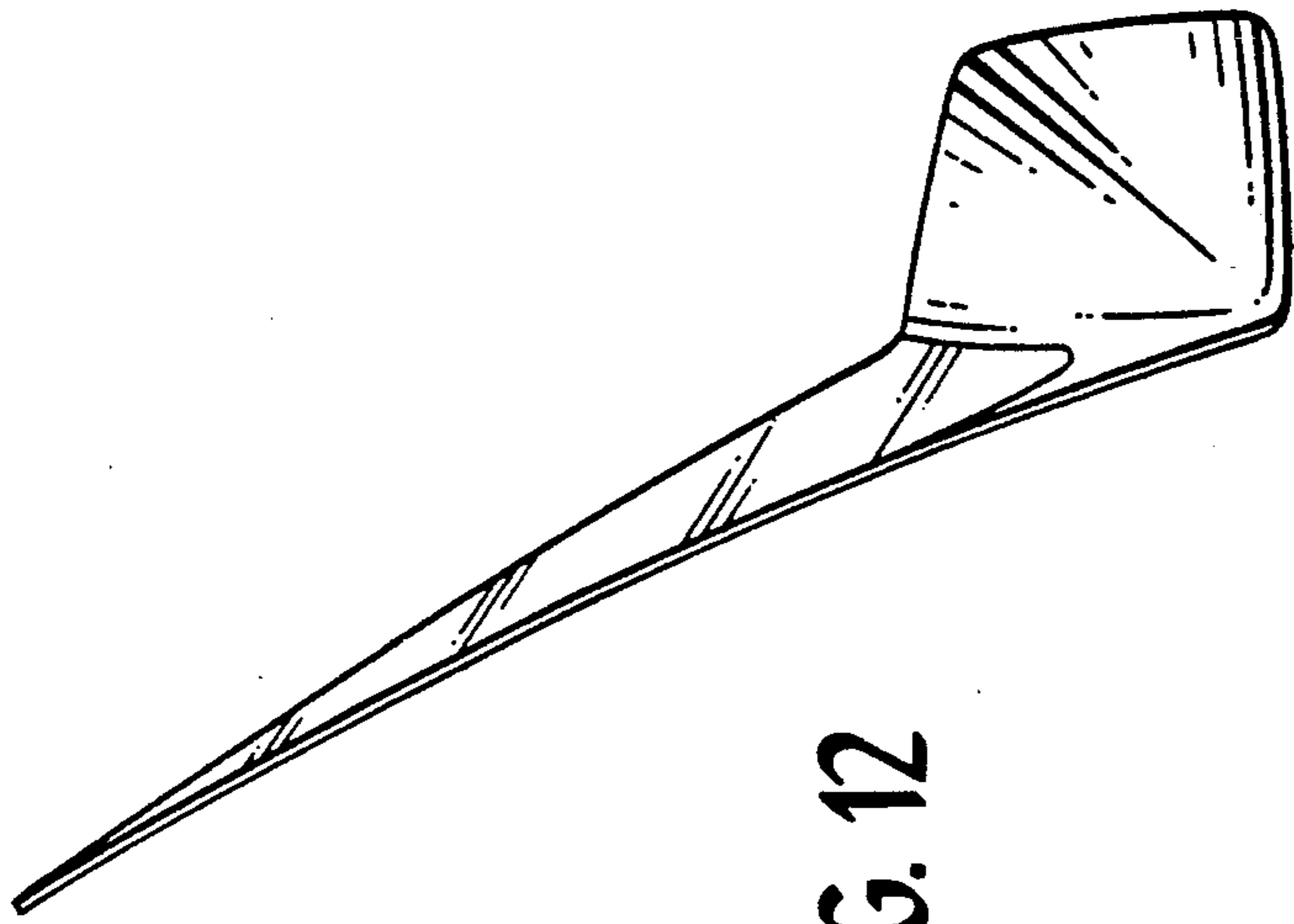


FIG. 12

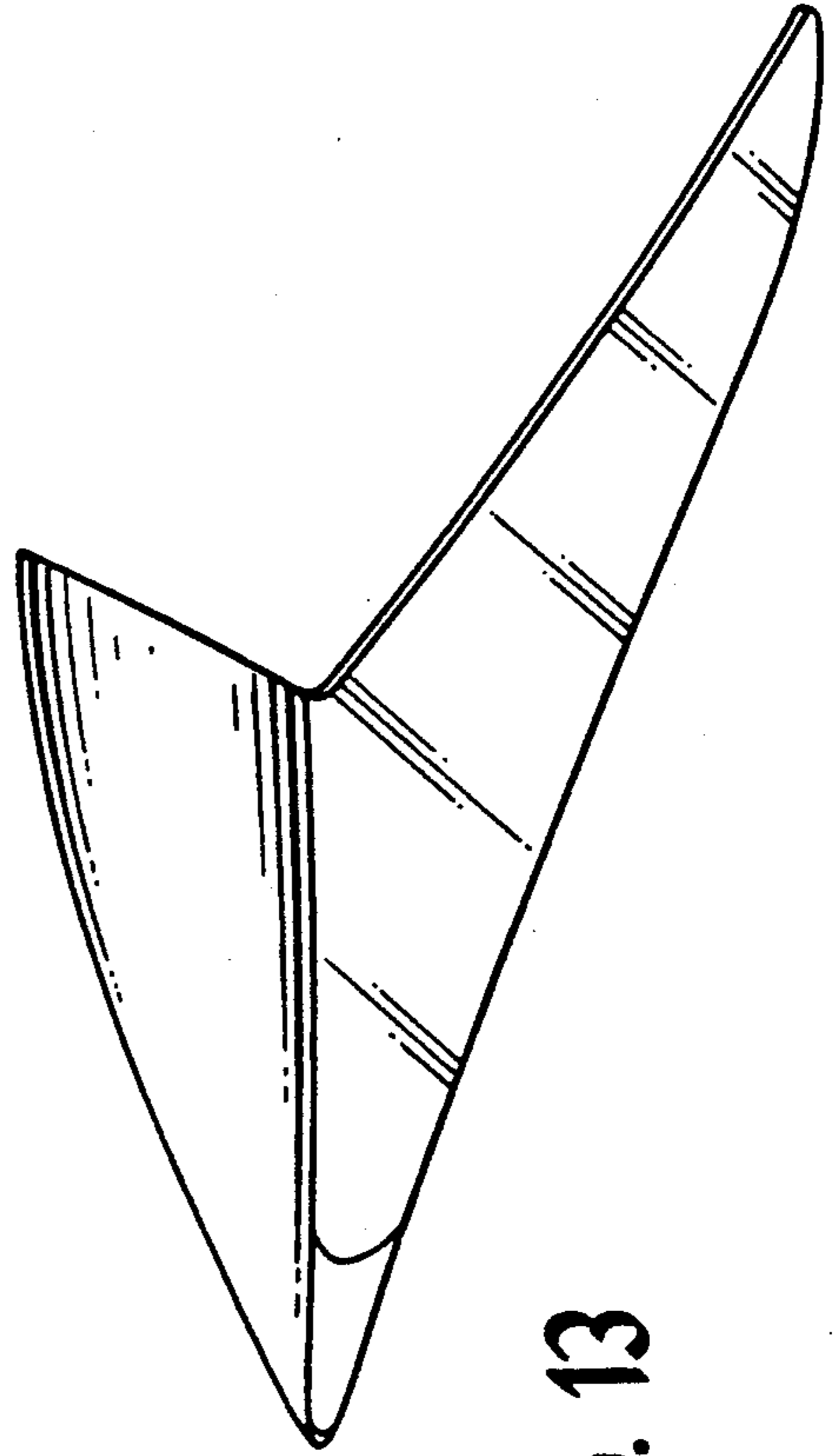


FIG. 13

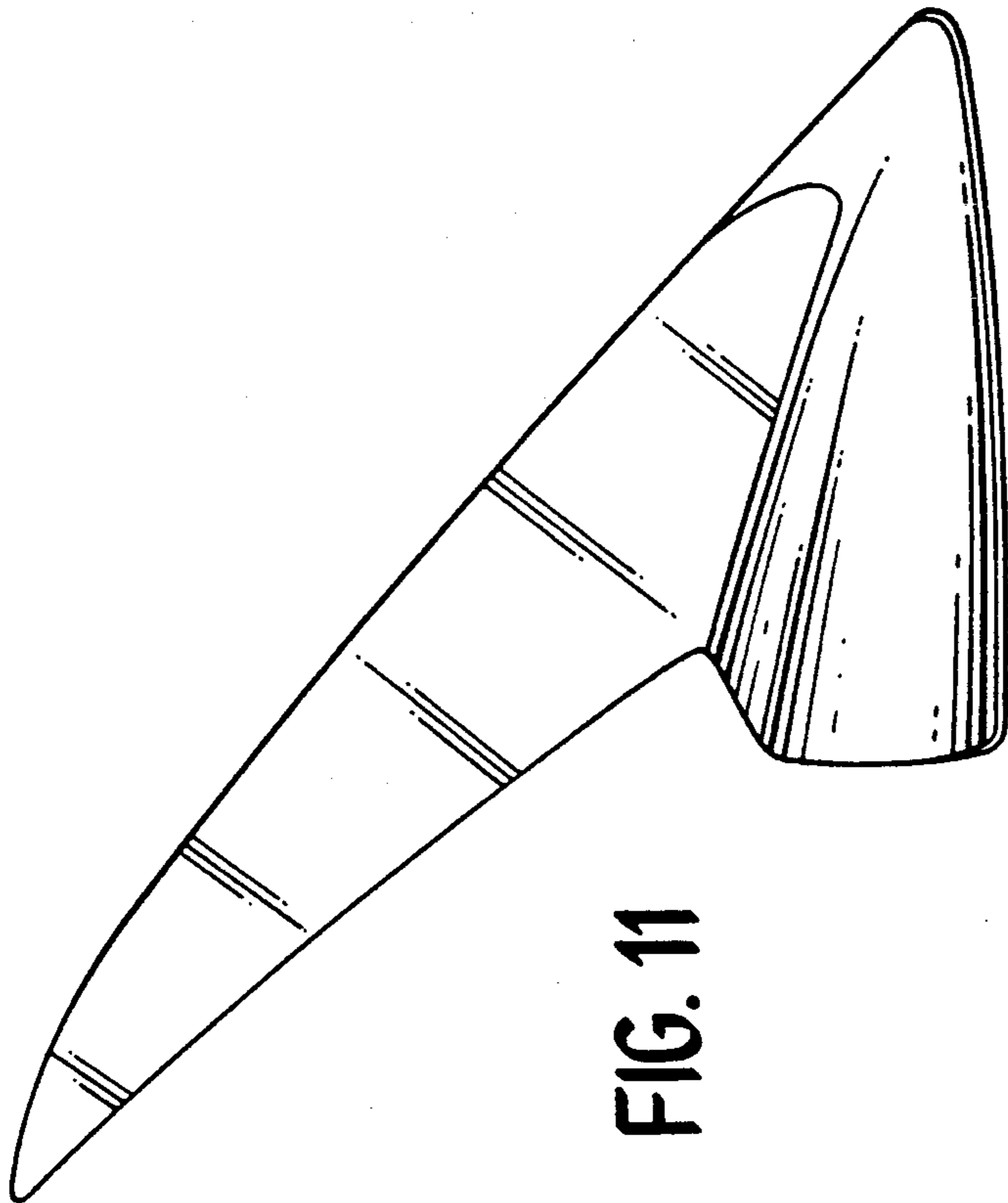


FIG. 11