



US00D335642S

# United States Patent [19]

Huang

[11] Patent Number: **Des. 335,642**

[45] Date of Patent: **\*\* May 18, 1993**

[54] **STROLLER**

[75] Inventor: **Mien-Cheng Huang, Tainan, Taiwan**

[73] Assignee: **Taiwan Charwell Enterprise Co., Ltd., Tainan, Taiwan**

[\*\*] Term: **14 Years**

[21] Appl. No.: **738,295**

[22] Filed: **Jul. 31, 1991**

[52] U.S. Cl. .... **D12/129**

[58] Field of Search ..... **D12/128, 129, 133; 280/647, 650, 642, 658, 644, 643**

[56] **References Cited**

**U.S. PATENT DOCUMENTS**

- D. 293,661 1/1988 Nakao et al. .... D12/129
- D. 329,832 9/1992 Ishikura et al. .... D12/129

5,069,474 12/1991 Tai ..... 280/658

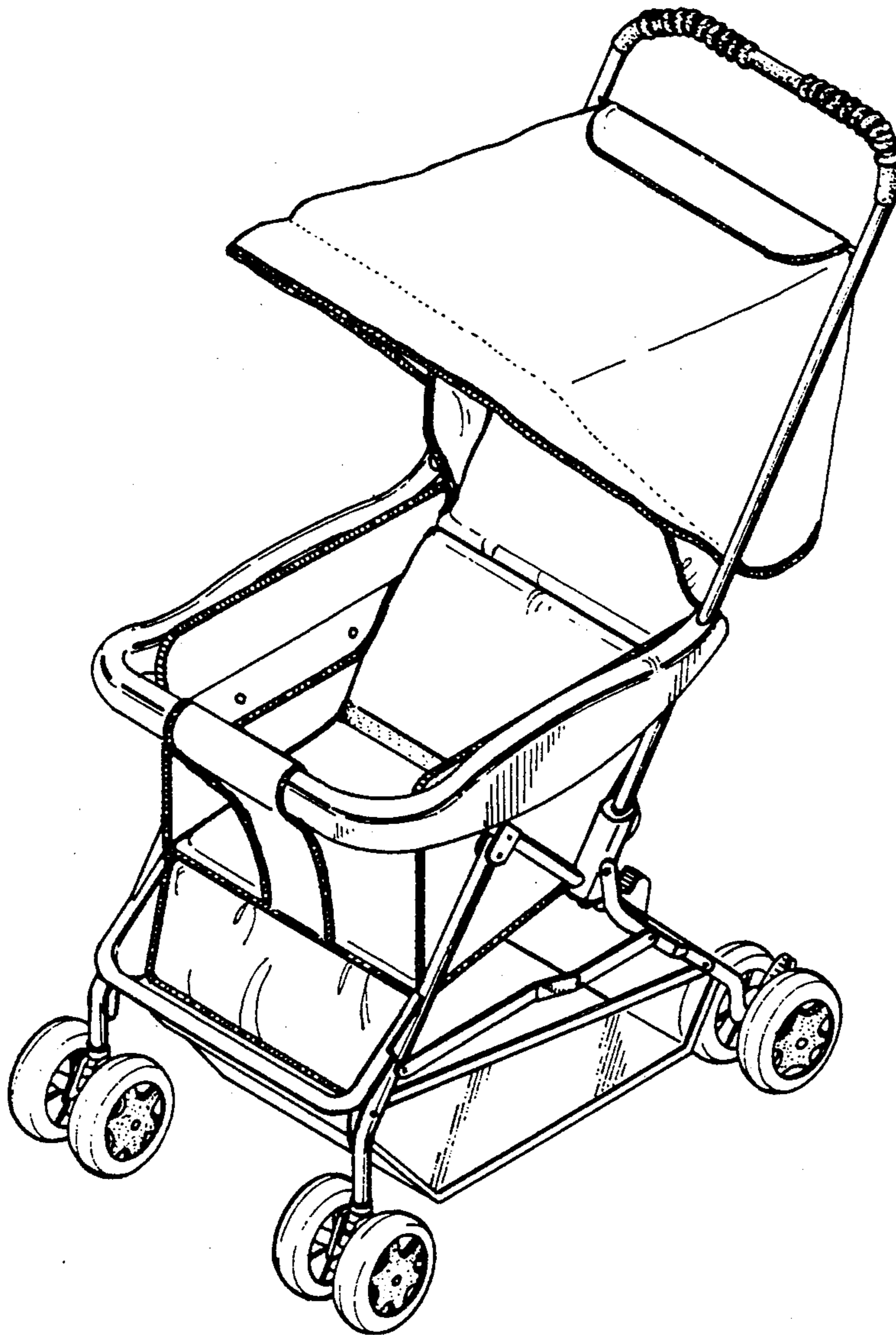
*Primary Examiner*—Kay H. Chin  
*Attorney, Agent, or Firm*—Morton J. Rosenberg; David I. Klein

[57] **CLAIM**

The ornamental design for a stroller, as shown and described.

**DESCRIPTION**

FIG. 1 is a perspective view of a stroller showing my new design;  
 FIG. 2 is a front elevational view thereof;  
 FIG. 3 is a rear elevational view thereof;  
 FIG. 4 is a right side elevational view thereof;  
 FIG. 5 is a left side elevational view thereof;  
 FIG. 6 is a top plan view thereof; and,  
 FIG. 7 is a bottom plan view thereof.



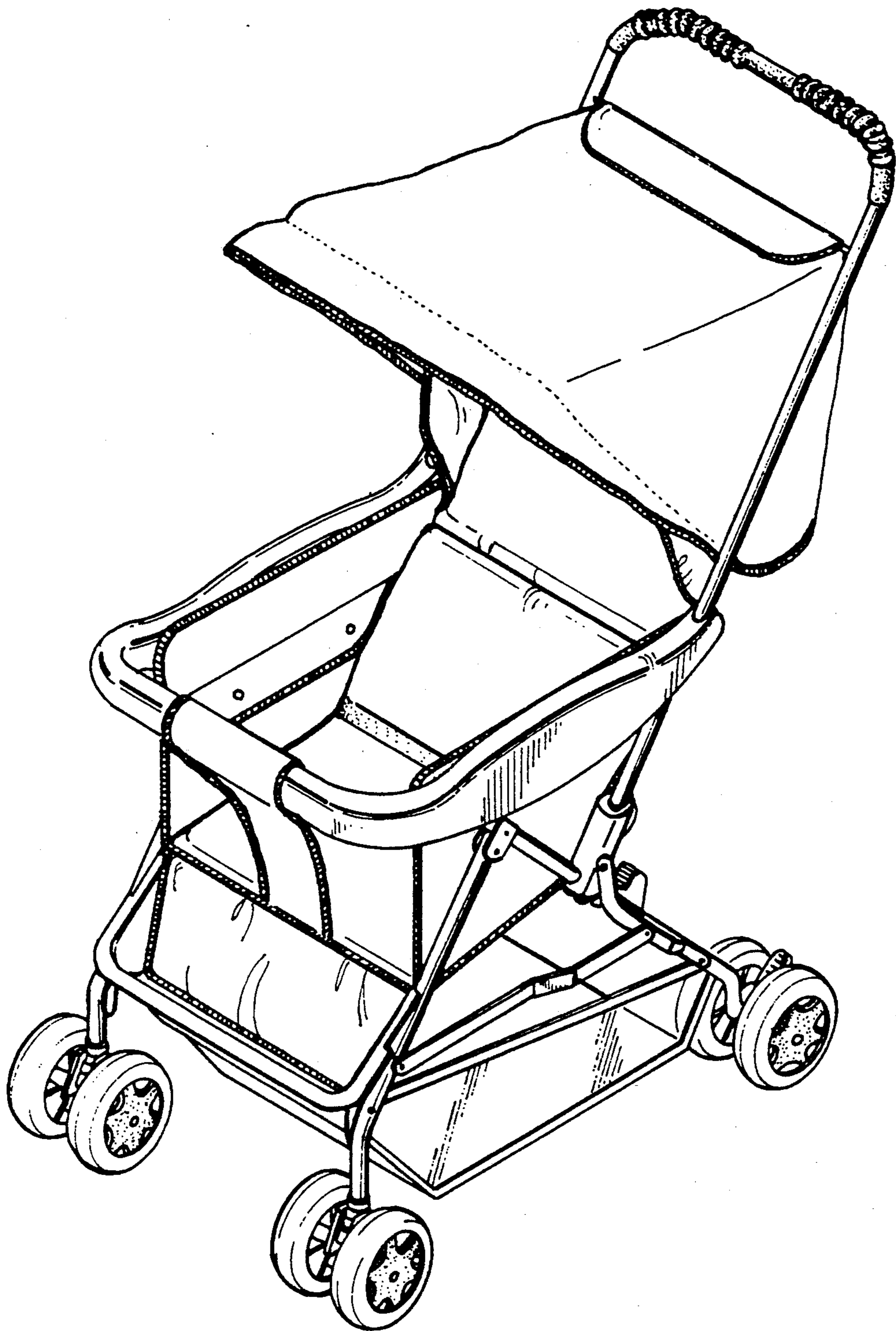


FIG. 1

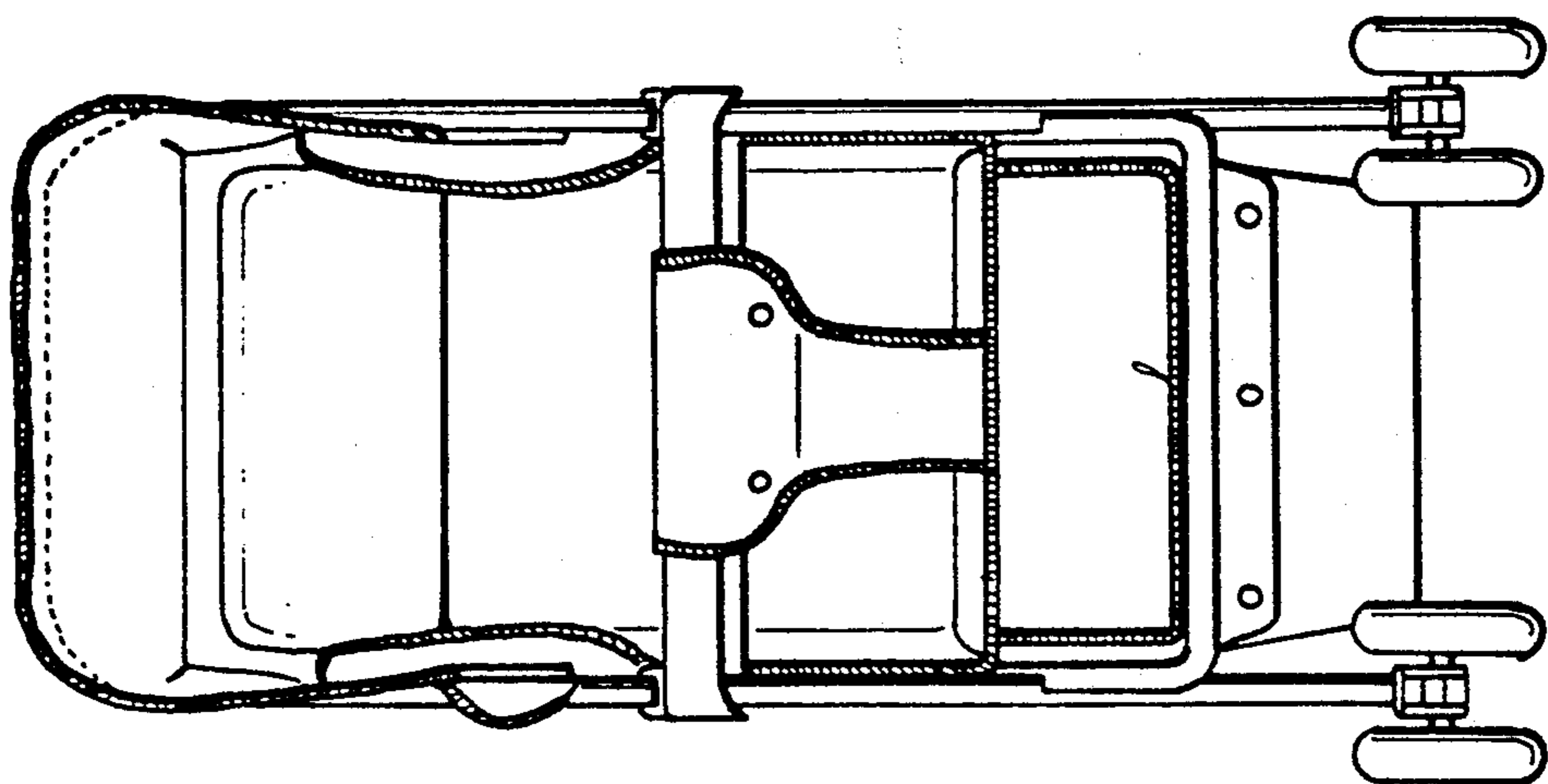


FIG. 2

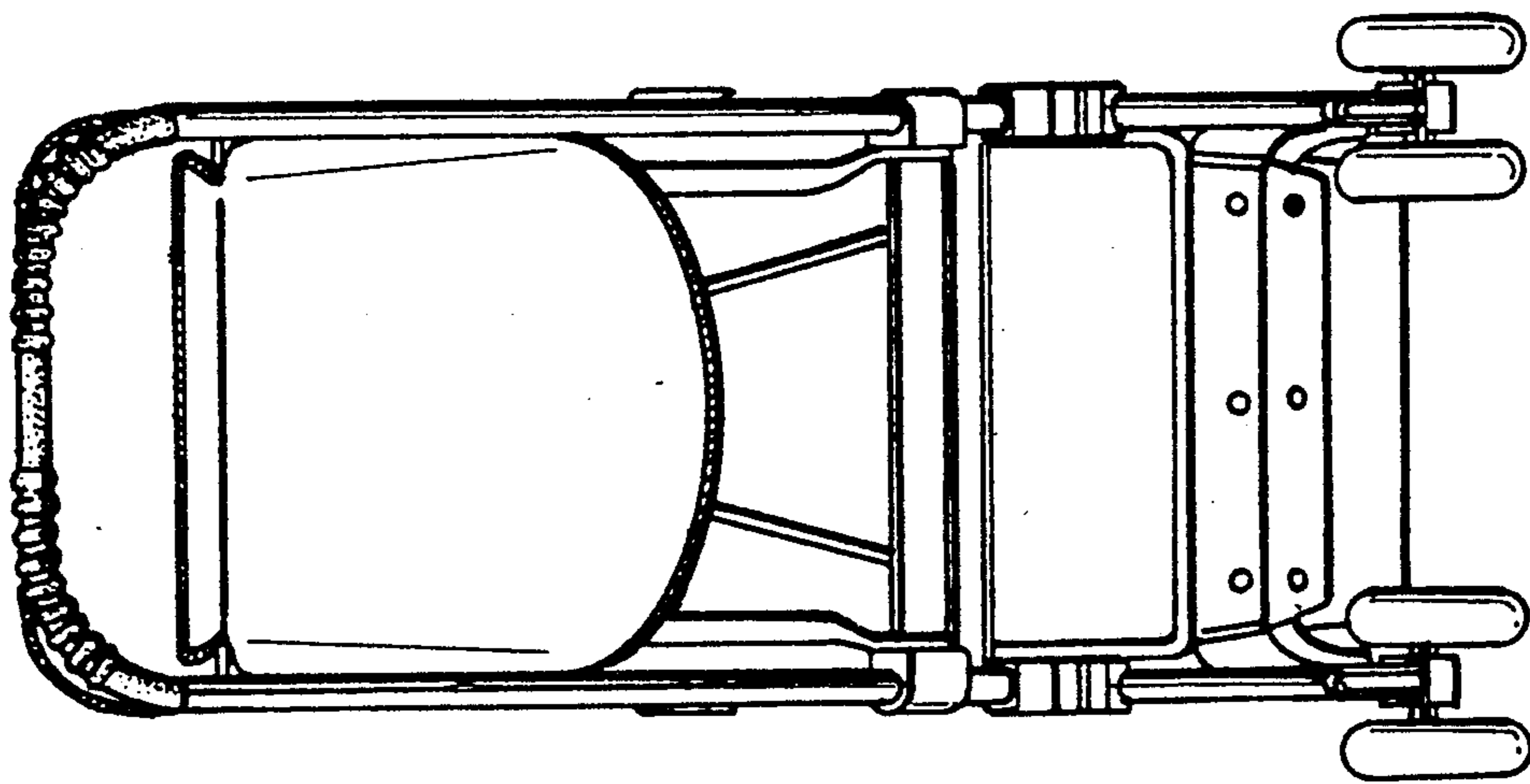


FIG. 3

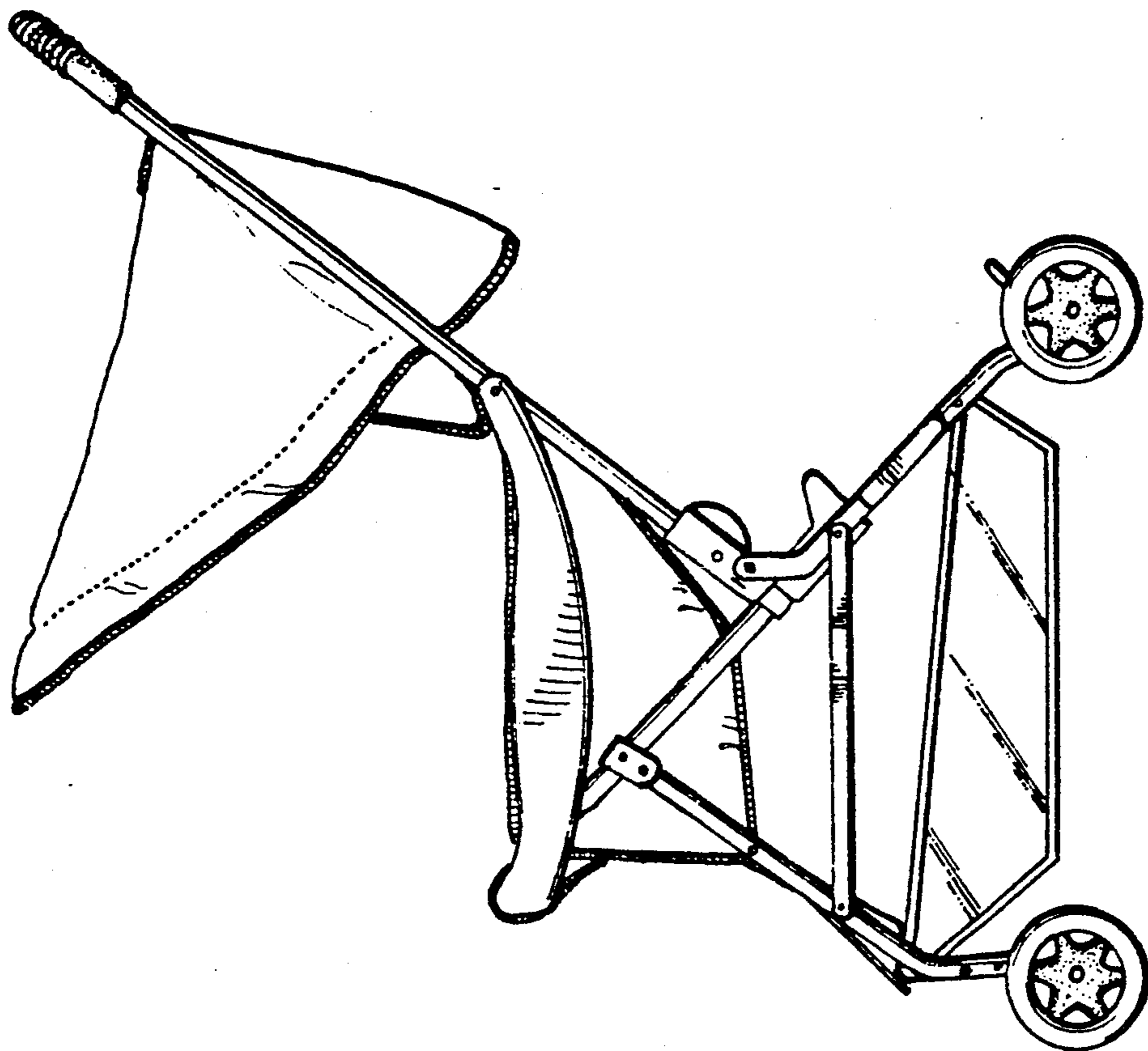


FIG. 4

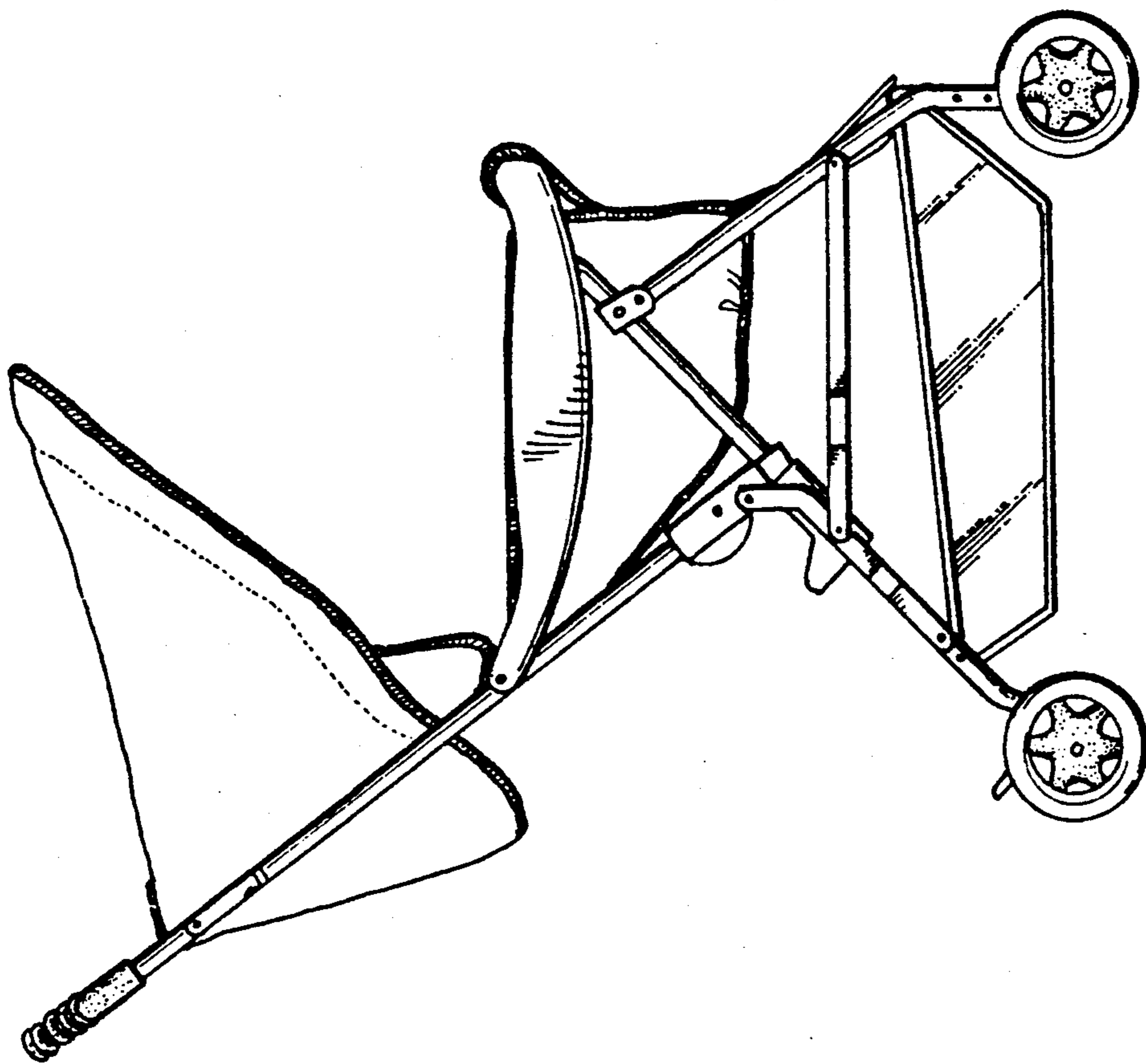


FIG. 5

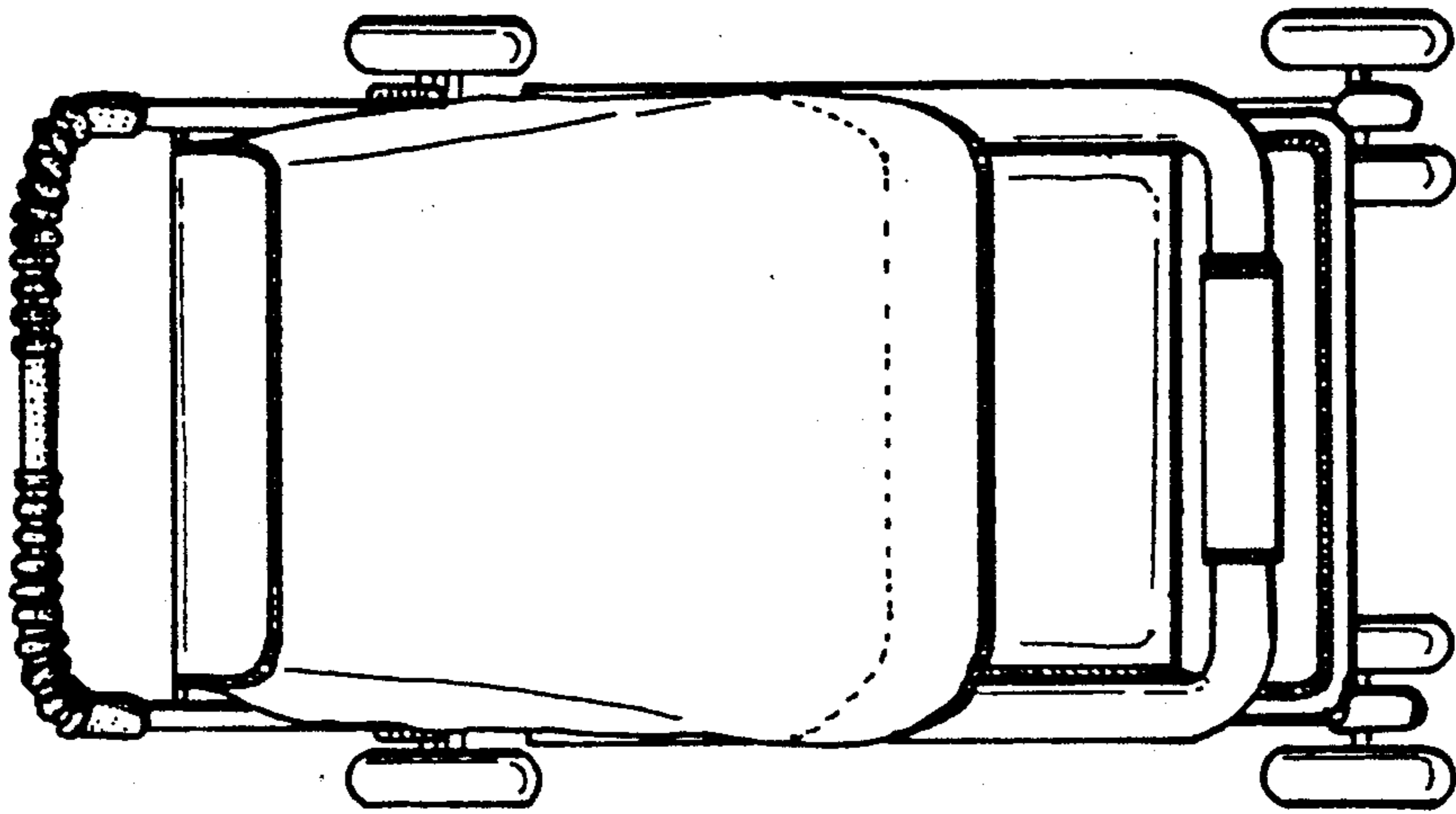


FIG. 6

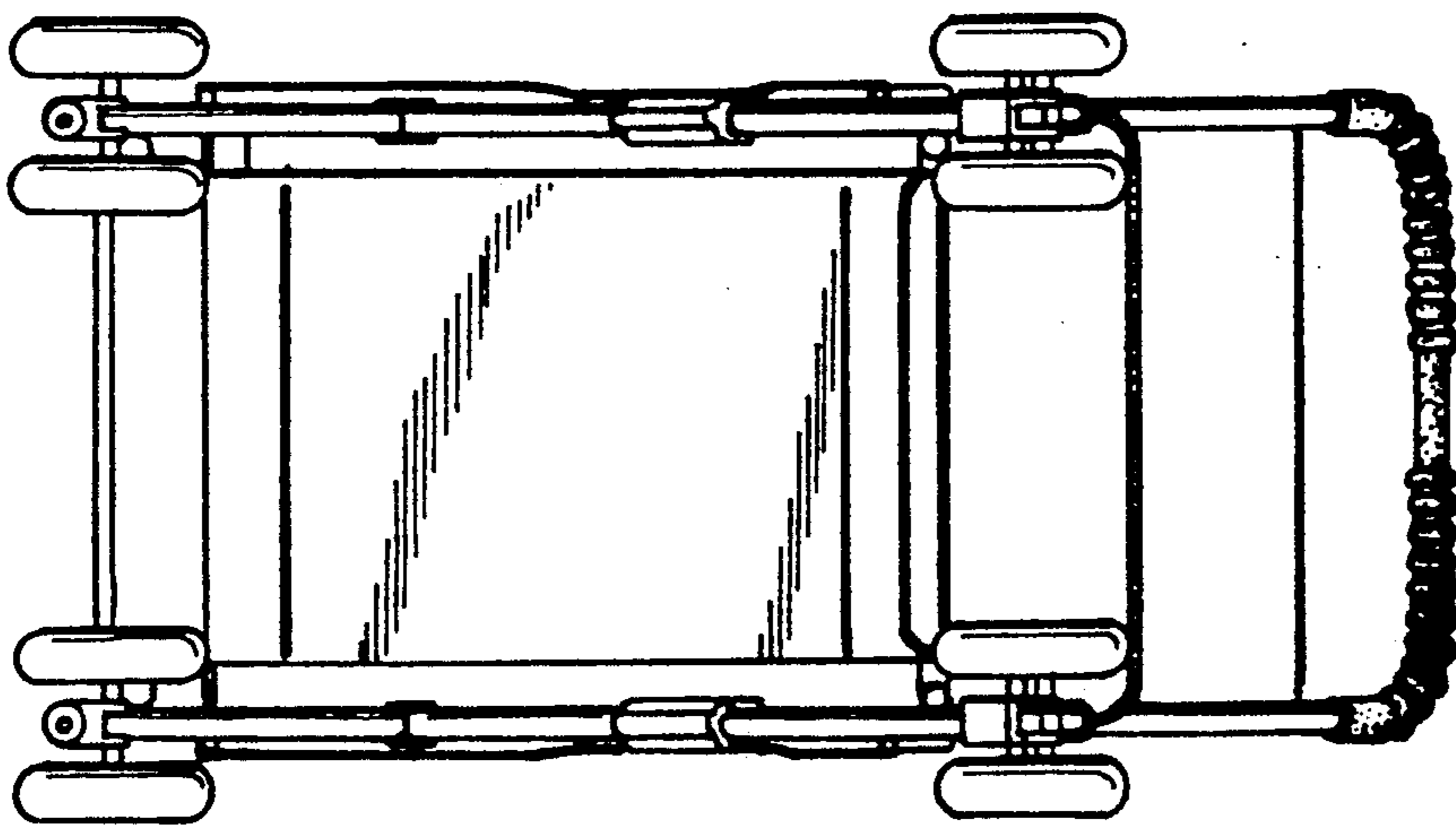


FIG. 7