



US00D335625S

# United States Patent [19]

[11] Patent Number: **Des. 335,625**

**Dolson**

[45] Date of Patent: **\*\* May 18, 1993**

[54] **COMBINED LIQUID DISPENSER AND SPIGOT**

*Primary Examiner*—Bernard Ansher  
*Assistant Examiner*—Mitchell I. Siegel  
*Attorney, Agent, or Firm*—Timmons & Kelly

[76] Inventor: **V. Chris Dolson, Rte. 1, Box 10, Joshua, Tex. 76058**

[57] **CLAIM**

[\*\*] Term: **14 Years**

The ornamental design for a combined liquid dispenser and spigot, as shown and described.

[21] Appl. No.: **779,573**

**DESCRIPTION**

[22] Filed: **Oct. 21, 1991**

[52] U.S. Cl. .... **D9/300; D9/499**

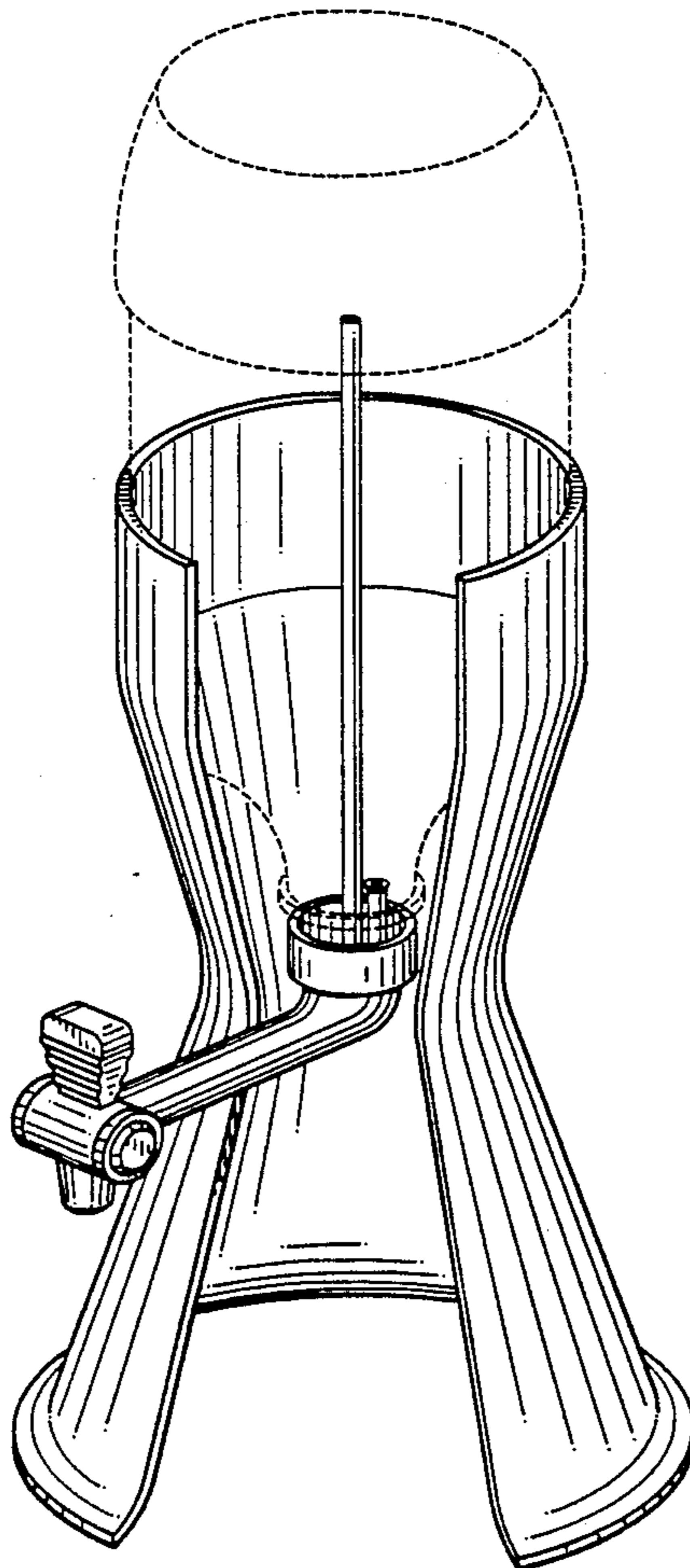
[58] Field of Search ..... **D9/300, 337, 500, 522, D9/530, 549, 537; D6/516; D7/313; 222/185, 181, 173**

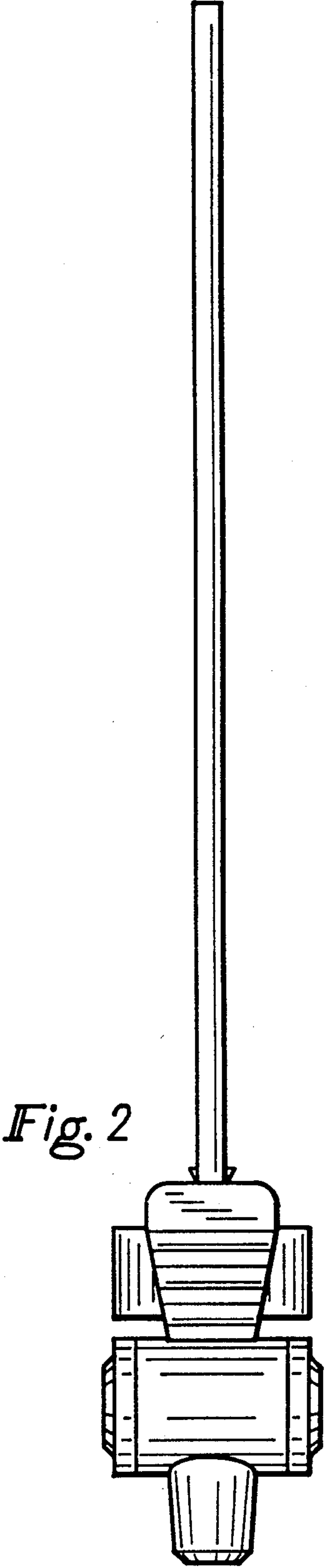
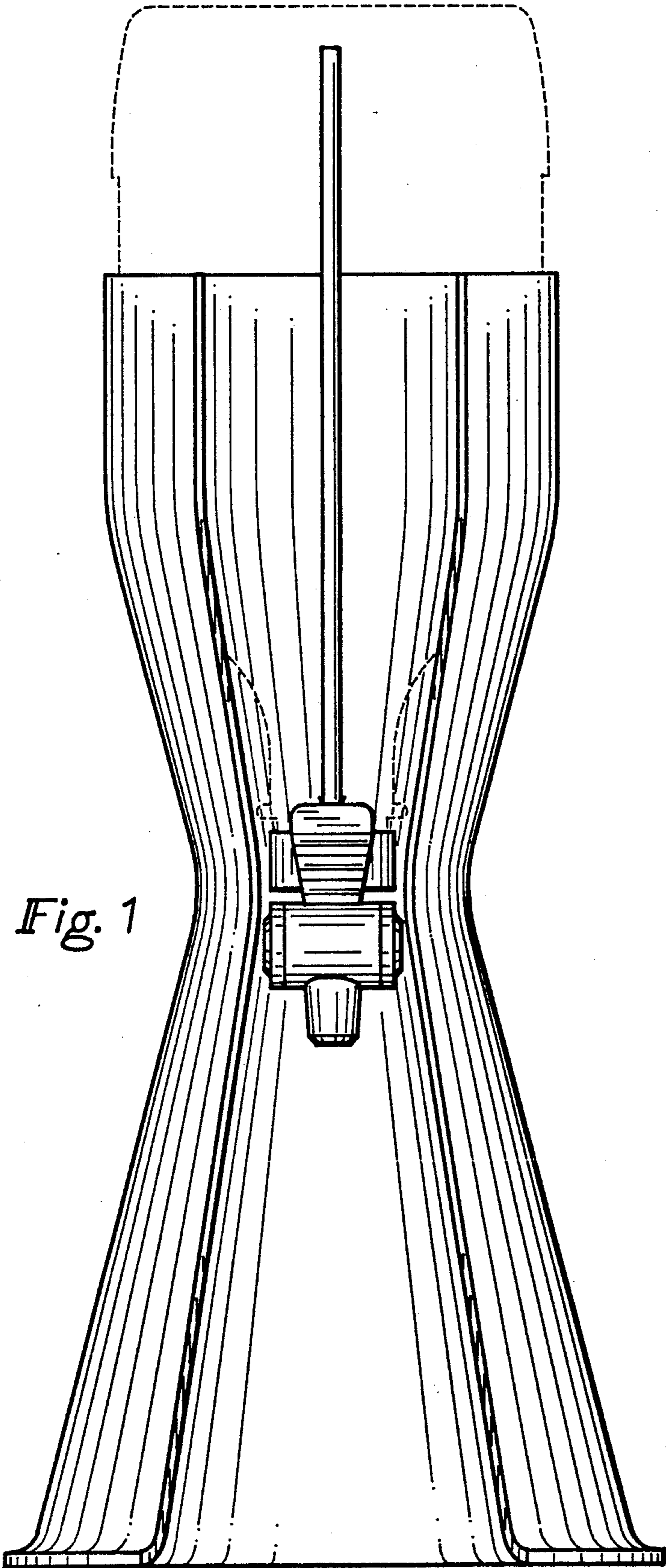
FIG. 1 is a front elevational view of a combined liquid dispenser and spigot showing my new design;  
FIG. 2 is an enlarged front elevational view of a spigot shown alone for clarity of illustration;  
FIG. 3 is a rear elevational view of FIG. 1;  
FIG. 4 is a rear elevational view of FIG. 2;  
FIG. 5 is a right side elevational view of FIG. 1, the left side being a mirror image;  
FIG. 6 is a right side elevational view of FIG. 2, the left side being a mirror image;  
FIG. 7 is a top plan view of FIG. 1;  
FIG. 8 is a top plan view of FIG. 2;  
FIG. 9 is a bottom plan view of FIG. 1;  
FIG. 10 is a bottom plan view of FIG. 2; and,  
FIG. 11 is a top front perspective view of FIG. 1.  
The broken lines showing the bottle are for illustrative purposes only and form no part of the claimed design.

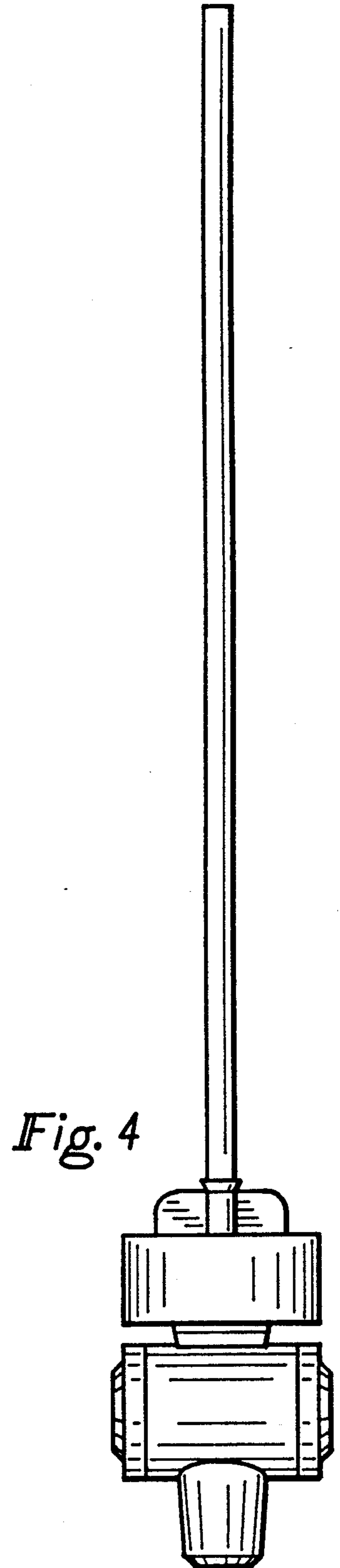
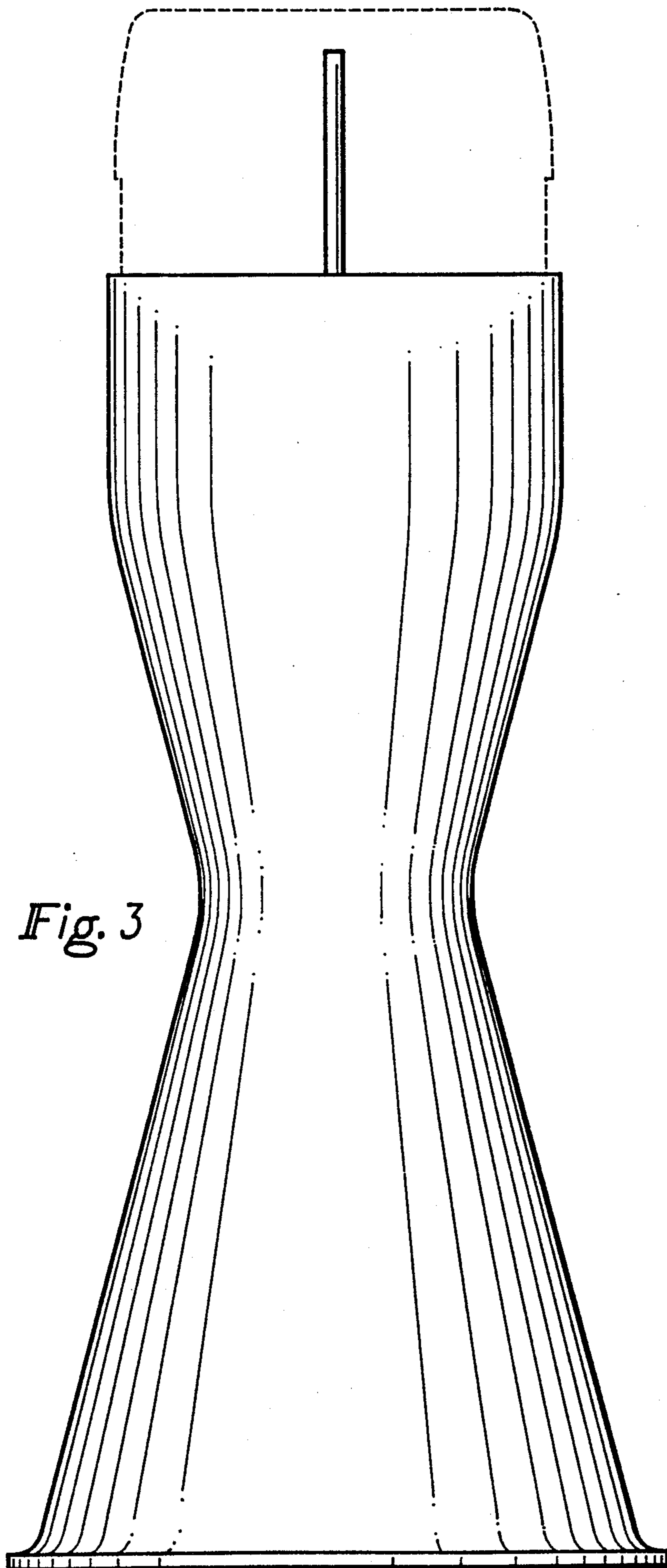
[56] **References Cited**

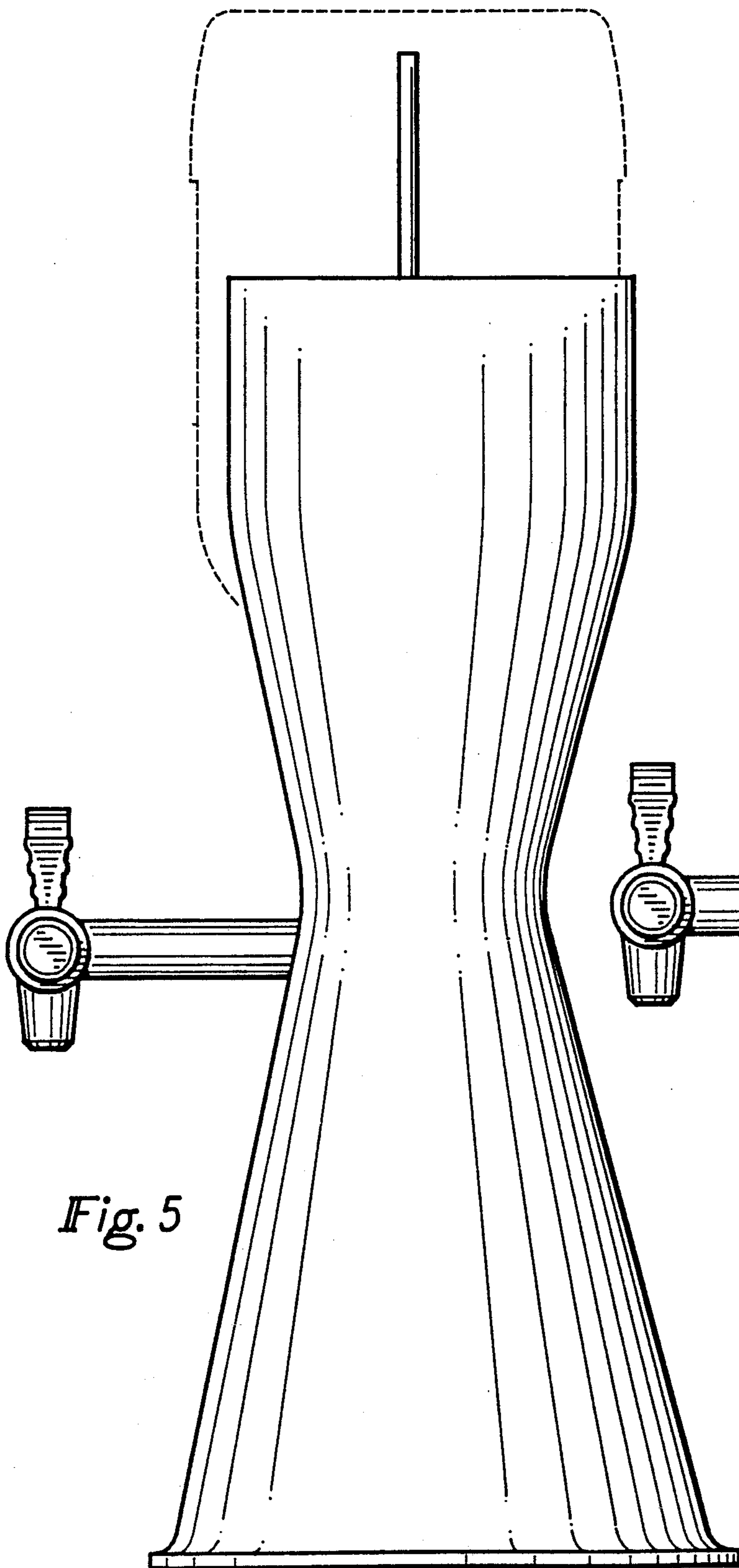
**U.S. PATENT DOCUMENTS**

D. 104,414	5/1937	Stein .....	D9/537
D. 308,474	6/1990	Seager .....	D9/300
3,814,293	6/1974	Daves .....	222/173
4,324,348	4/1982	Johnson et al. ....	222/181
4,664,297	5/1987	Giovinazzi .....	222/185
4,722,463	2/1988	Anderson .....	222/185
4,834,267	5/1989	Schroer et al. ....	222/185
4,844,290	7/1989	McCurdy et al. ....	222/185
4,993,229	2/1991	Baus et al. ....	D7/313 X

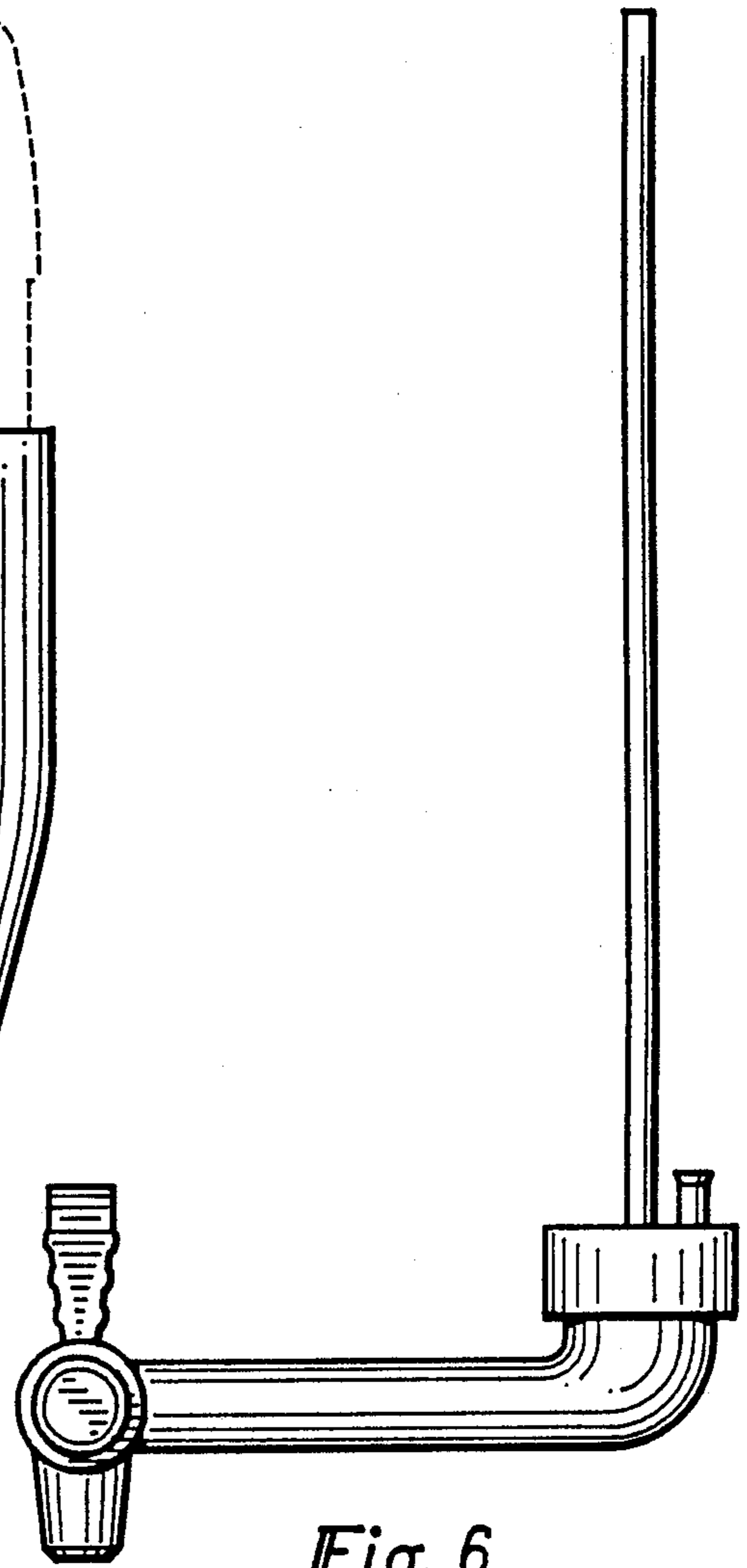




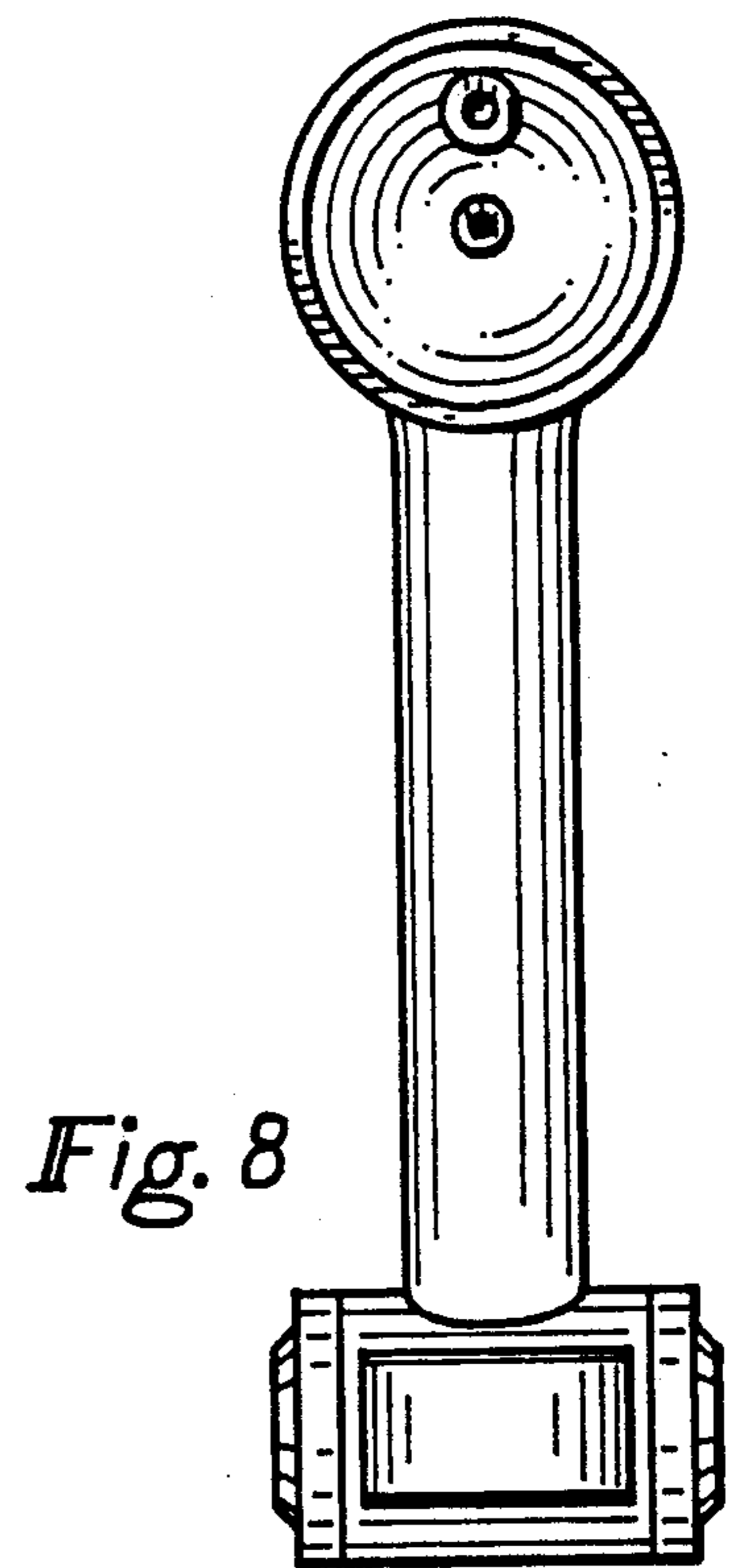
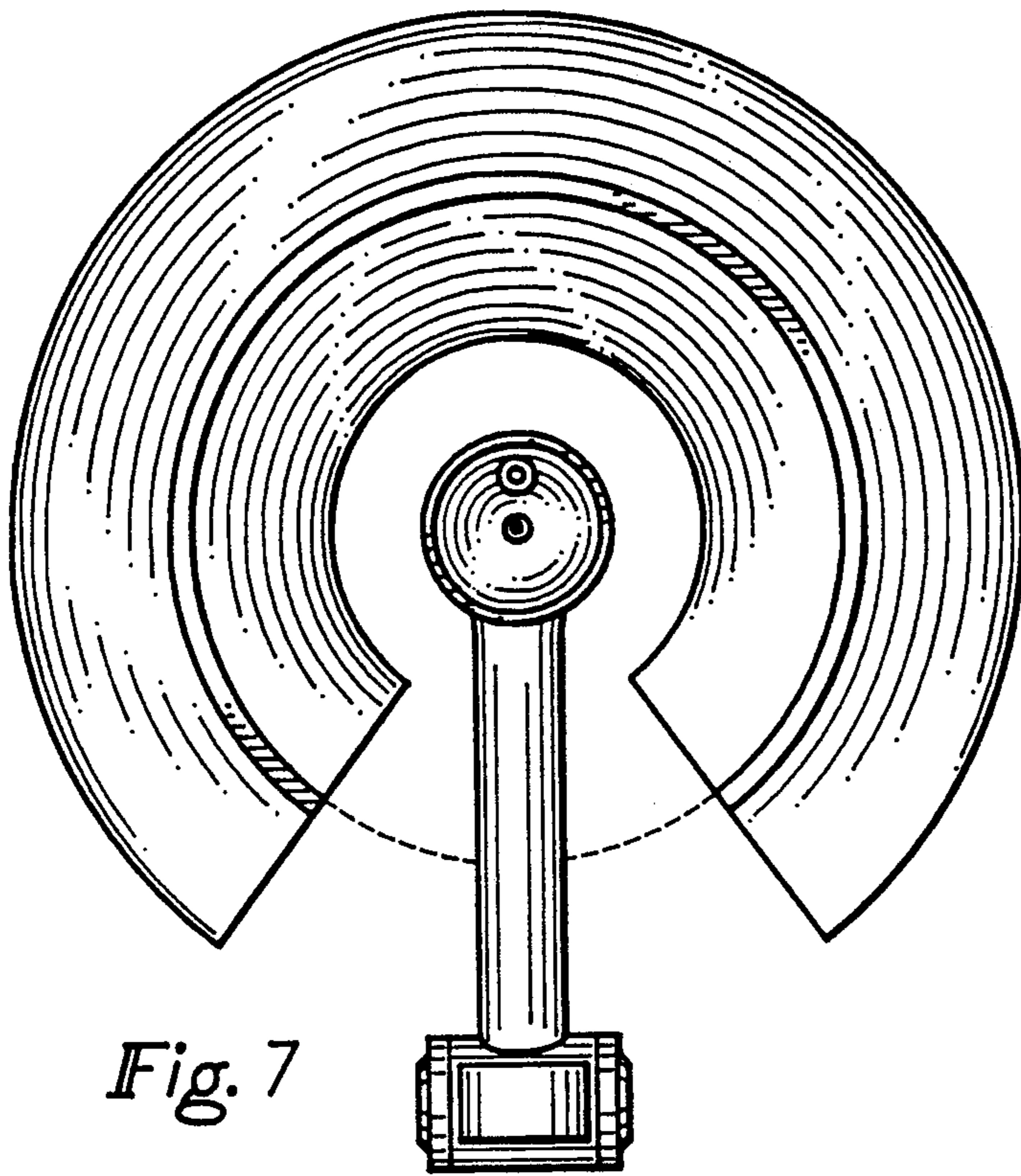


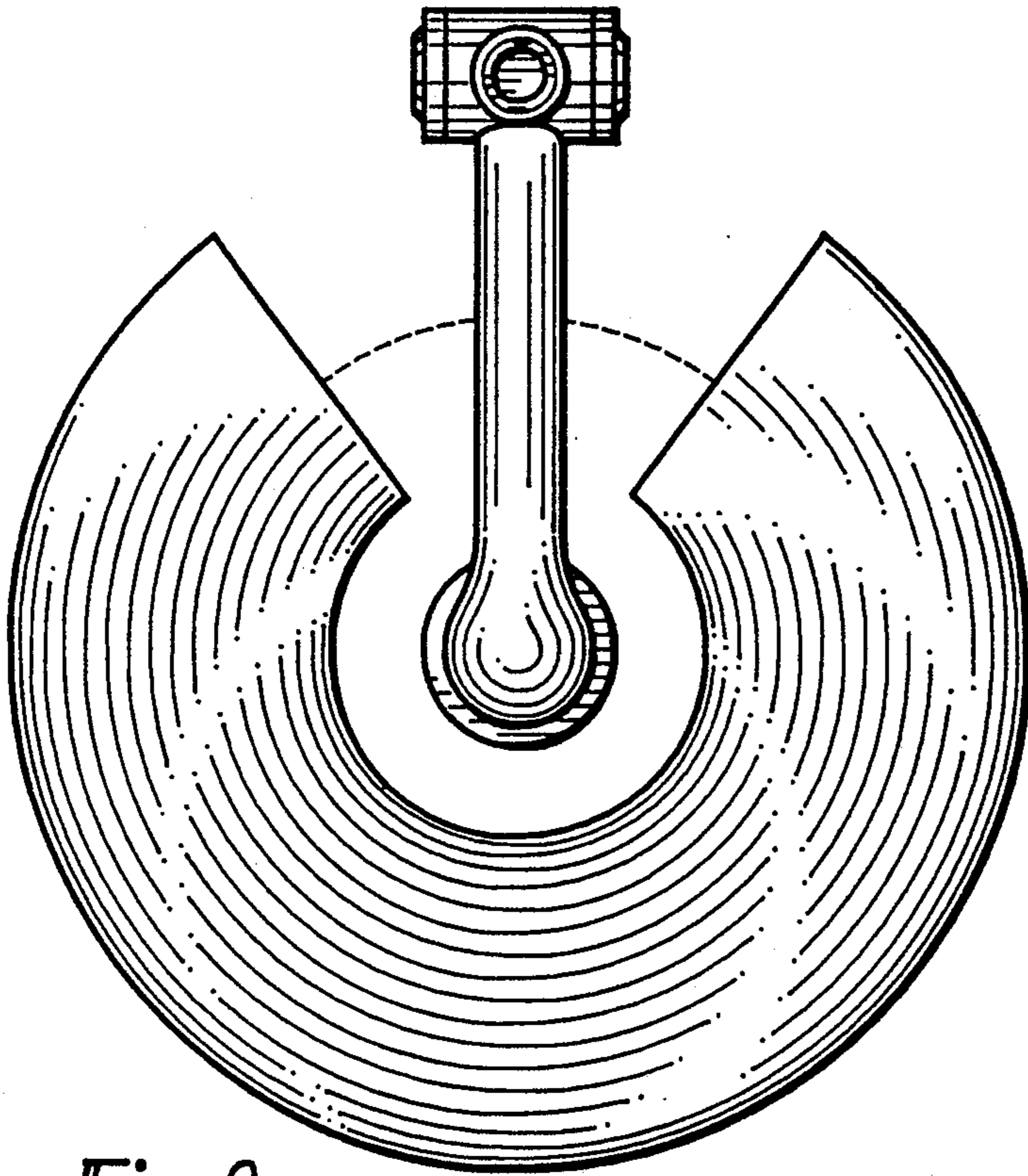


*Fig. 5*

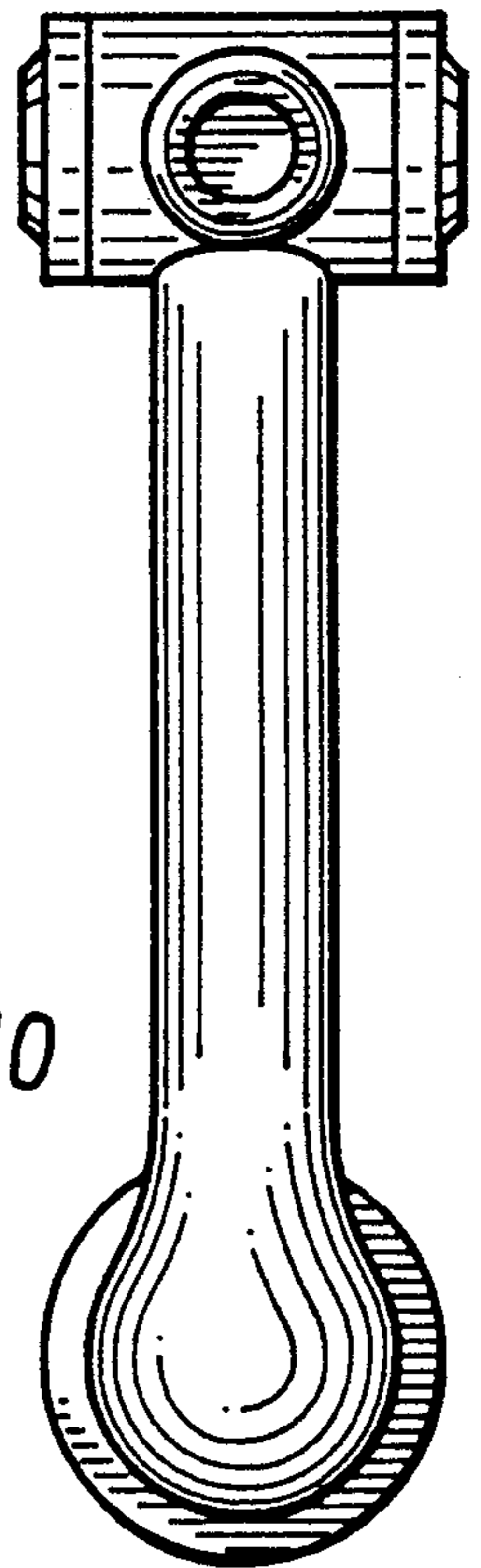


*Fig. 6*

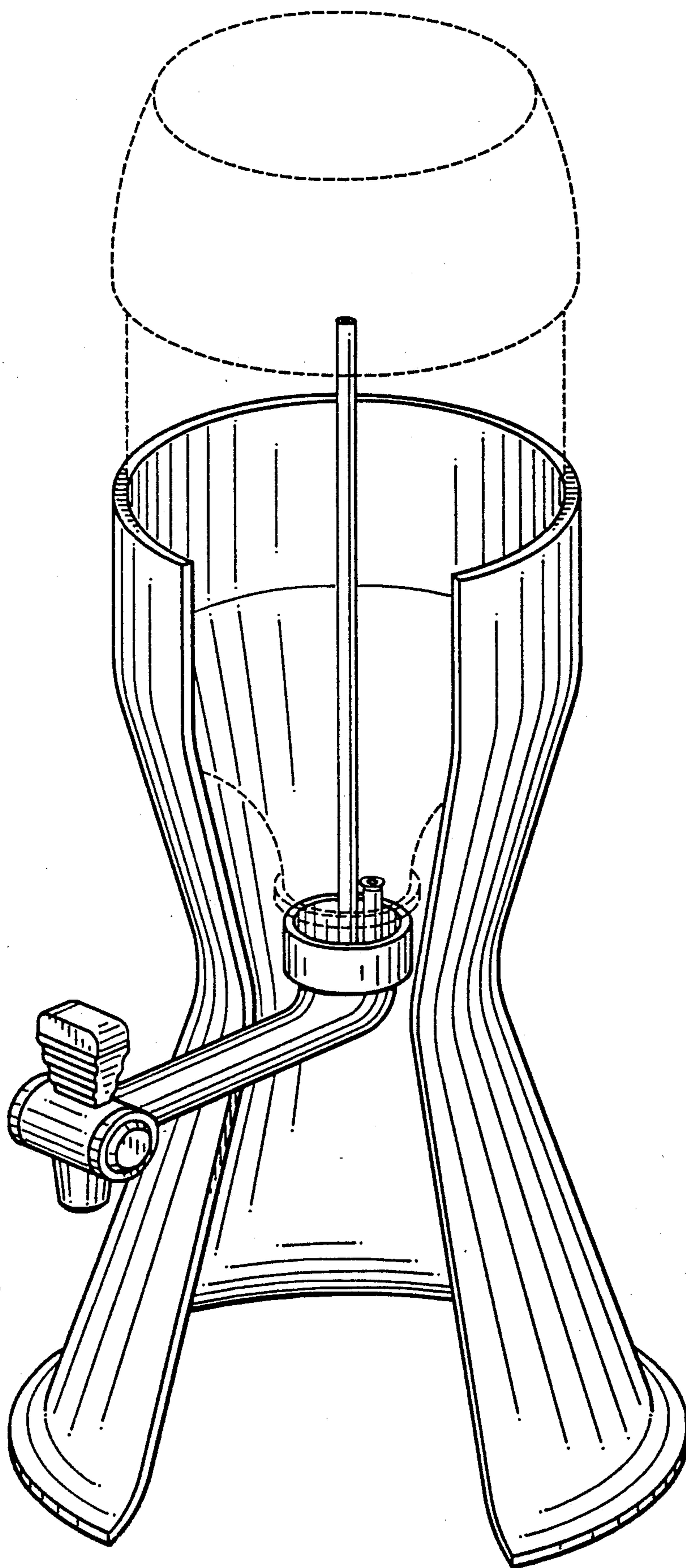




*Fig. 9*



*Fig. 10*



*Fig. 11*