



US00D335624S

United States Patent [19]

Siener

[11] Patent Number: **Des. 335,624**

[45] Date of Patent: **** May 18, 1993**

[54] **OVERHEAD TRACK**

[75] Inventor: **David Siener, Indianapolis, Ind.**

[73] Assignee: **Modernfold, Inc., New Castle, Ind.**

[**] Term: **14 Years**

[21] Appl. No.: **661,453**

[22] Filed: **Feb. 26, 1991**

[52] U.S. Cl. **D8/377; D25/123**

[58] Field of Search **D25/123, 125; D8/377, D8/380; 16/87 R, 87.4 B, 94 R, 96 R; 49/168, 208; 52/721; 160/124, 201, 202-203**

[56] **References Cited**

U.S. PATENT DOCUMENTS

D. 231,326	4/1974	Miki	D8/377
D. 268,809	5/1983	Marontate	D8/377
D. 292,614	11/1987	Nilsson	D25/123
2,893,049	7/1959	Guerrant	16/94 R
3,493,032	2/1970	Brown, Jr. et al.	16/87 R
3,925,933	12/1975	Reuter	16/87 R
4,011,696	3/1977	Klein	16/87.4 R
4,084,289	4/1978	Naimo	16/96 R

4,344,206	8/1982	Hermanson	16/94 R
4,611,848	9/1986	Romano	160/202

OTHER PUBLICATIONS

Modernfold—Spacesetter Operable Walls, sales brochure, 2231-99020M, Modernfold, Inc. 1990, pp. 1, 16, 28.

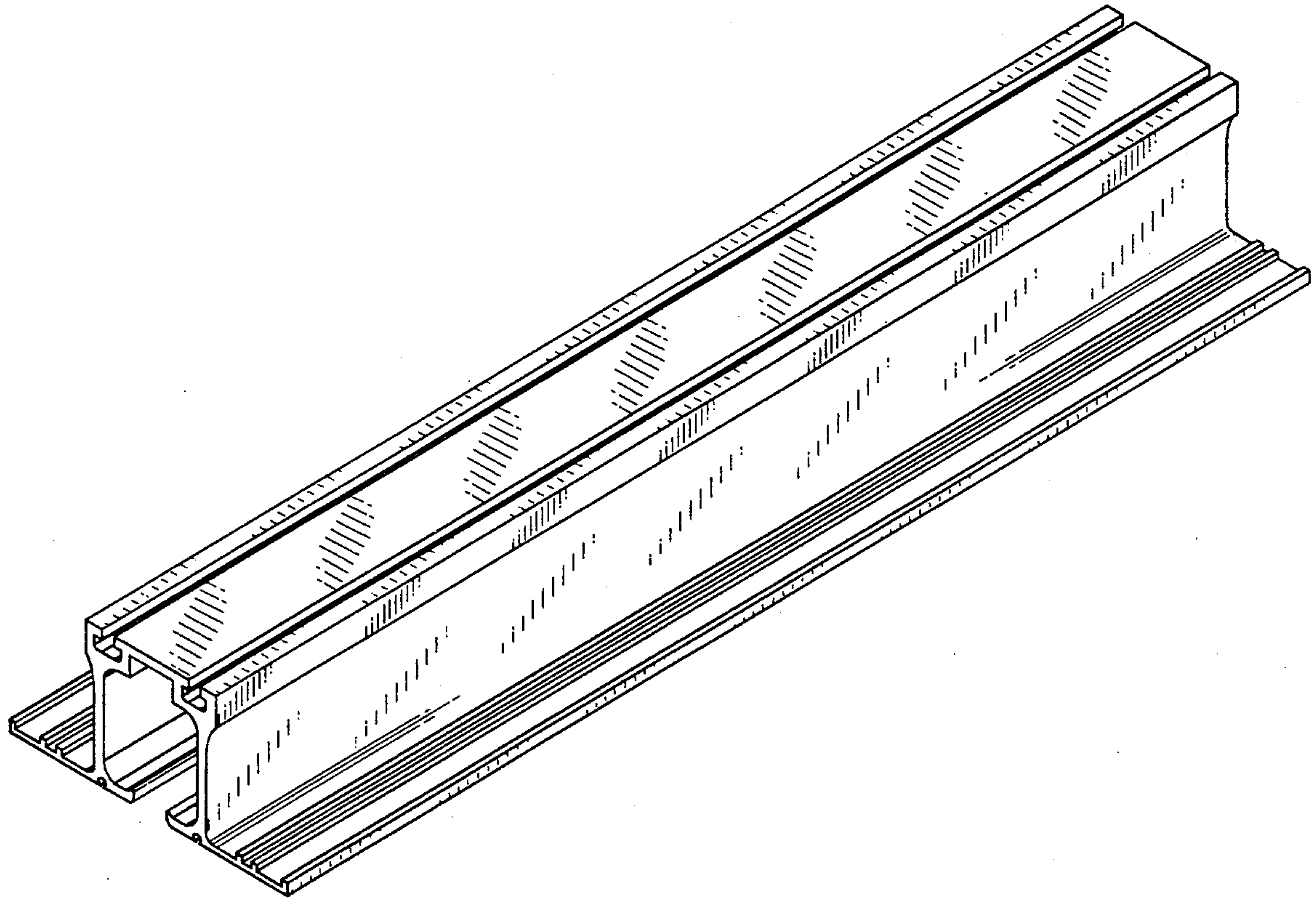
Primary Examiner—A. Hugo Word
Assistant Examiner—Doris Clark
Attorney, Agent, or Firm—Baker & Daniels

[57] **CLAIM**

The ornamental design for an overhead track, as shown and described.

DESCRIPTION

FIG. 1 is a perspective view of the overhead track of the new design;
FIG. 2 is a top view thereof;
FIG. 3 is a cross sectional view taken along lines 3—3 of FIG. 2;
FIG. 4 is a side view thereof; and,
FIG. 5 is a bottom view thereof.



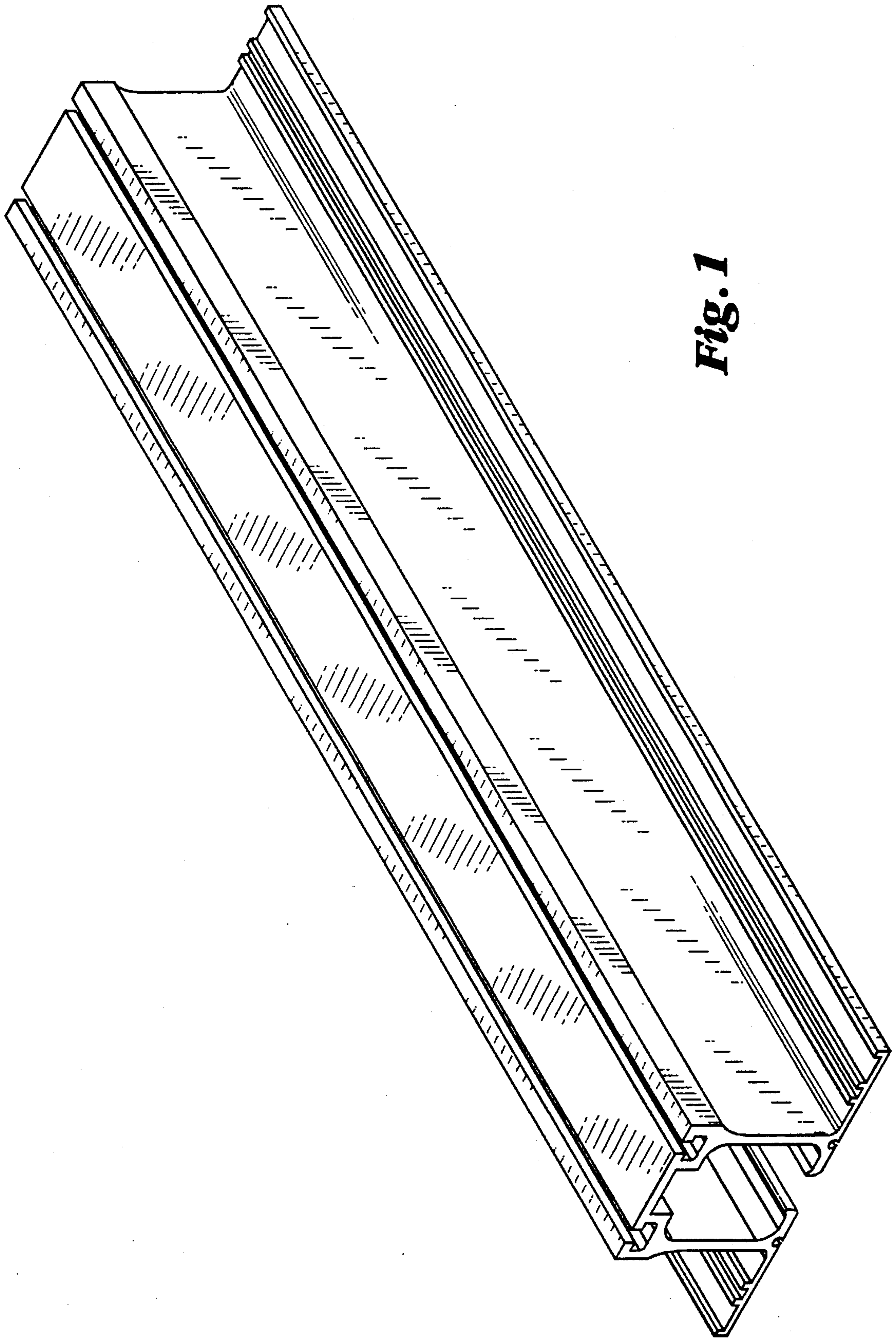


Fig. 1

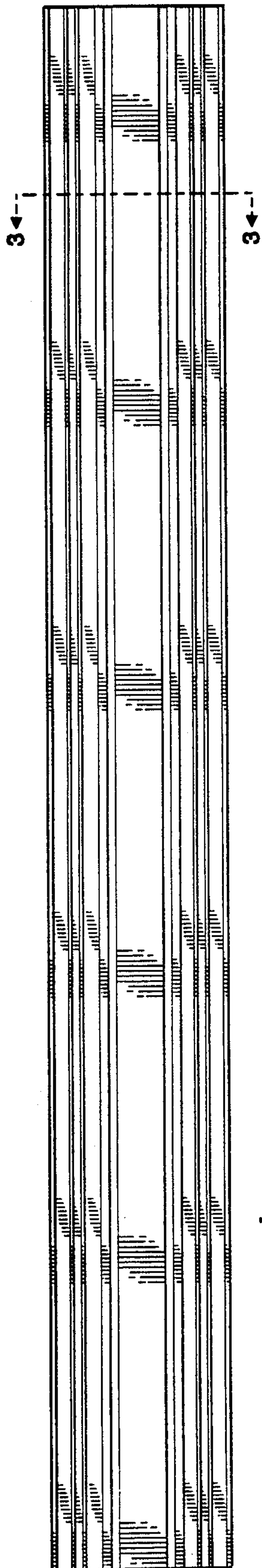


Fig. 2

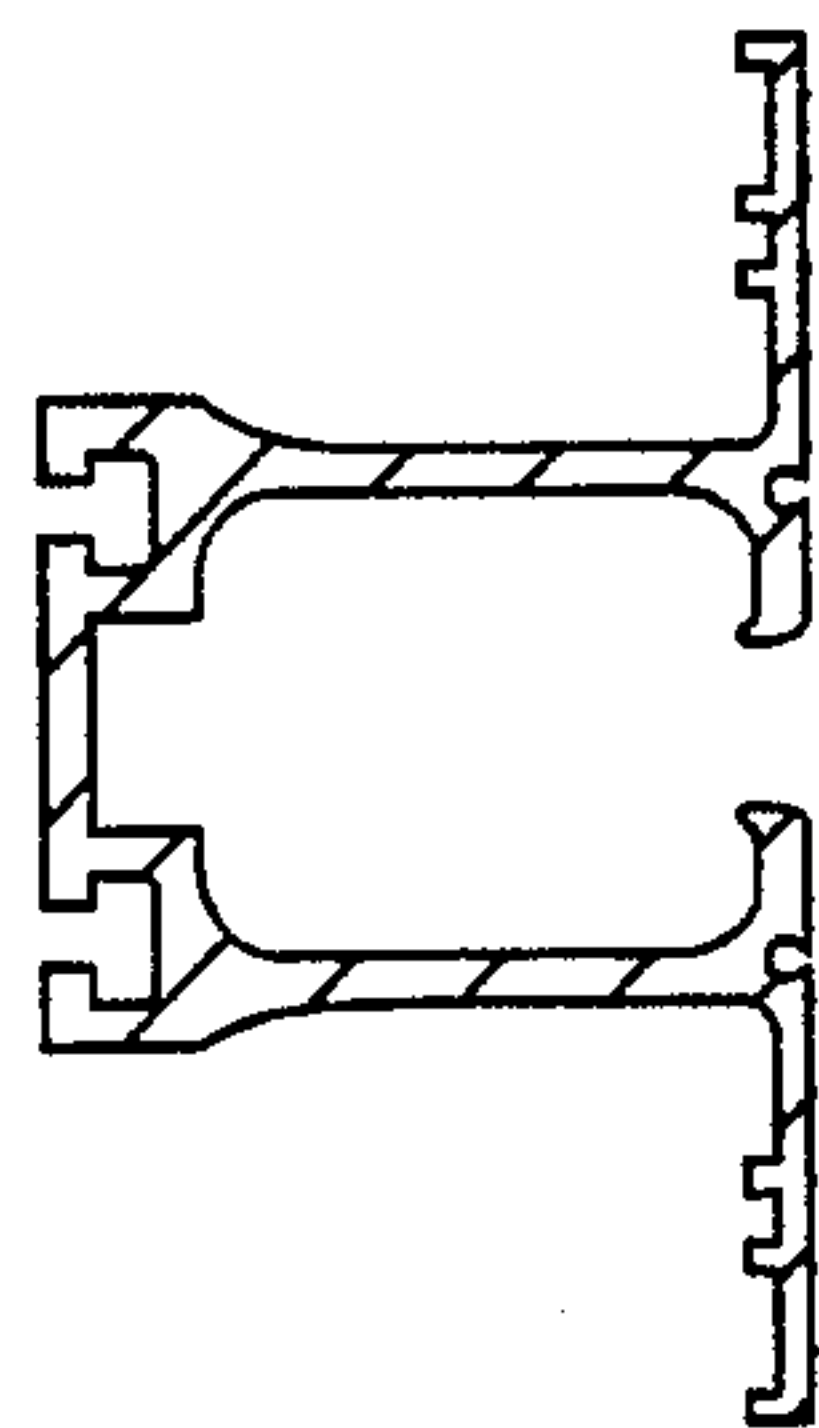


Fig. 3

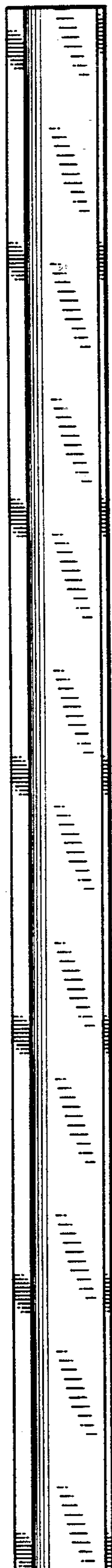


Fig. 4

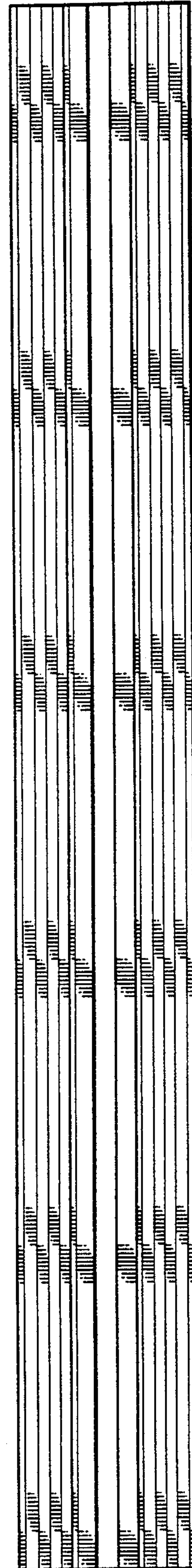


Fig. 5