



US00D335623S

United States Patent [19]

[11] Patent Number: **Des. 335,623**

Salrin et al.

[45] Date of Patent: **** May 18, 1993**

[54] **ANGLED DISPLAY FIXTURE**

4,735,152 4/1988 Bricker 248/230 X
4,779,743 10/1988 McKinnon .
4,813,552 3/1989 Walter .

[75] Inventors: **John P. Salrin, Dublin; James W. Bates, Port Washington, both of Ohio**

OTHER PUBLICATIONS

[73] Assignee: **Lancaster Colony Corporation, Columbus, Ohio**

Catalog RubberQueen "The Leading Manufacturer of Automotive Floor Mats", pp. 24-25.
Kraco Advertising entitled "Car Mat Displays".
Car and Truck floor mat display plan "Nationwide Auto Parts Inc. 48" Plan-O-Gram."
Catalog "Plasticolor Car Mats, Truck Mats, Van Mats, Splash Guards, Mud Guards" pp. 29-31.

[**] Term: **14 Years**

Primary Examiner—Brian N. Vinson
Attorney, Agent, or Firm—Frost & Jacobs

[21] Appl. No.: **682,016**

[22] Filed: **Apr. 8, 1991**

[52] U.S. Cl. **D8/373**

[58] Field of Search **D6/512, 567, 569-572; D8/349, 363, 367, 373**

CLAIM

[56] References Cited

[57] The ornamental design for an angled display fixture, as shown and described.

U.S. PATENT DOCUMENTS

D. 300,003	2/1989	Hutchison	D8/373 X
D. 301,977	7/1989	Moody et al.	D8/373
1,927,659	9/1938	Hamer	.	
2,459,909	1/1949	Alofs	.	
2,997,182	8/1961	Lewis et al.	248/230 X
3,568,852	3/1971	Howard	.	
3,777,896	12/1973	Ehrlich	.	
3,814,263	6/1974	Kinard	.	
4,449,686	5/1984	Kersey	.	
4,516,681	5/1985	Jahel	.	

DESCRIPTION

FIG. 1 is a top, front, left side perspective view of an angled display fixture showing our new design;
FIG. 2 is a top plan view thereof;
FIG. 3 is a front elevational view thereof;
FIG. 4 is a rear elevational view thereof;
FIG. 5 is a bottom plan view thereof;
FIG. 6 is a right-side elevational view thereof; and,
FIG. 7 is a left-side elevational view thereof.

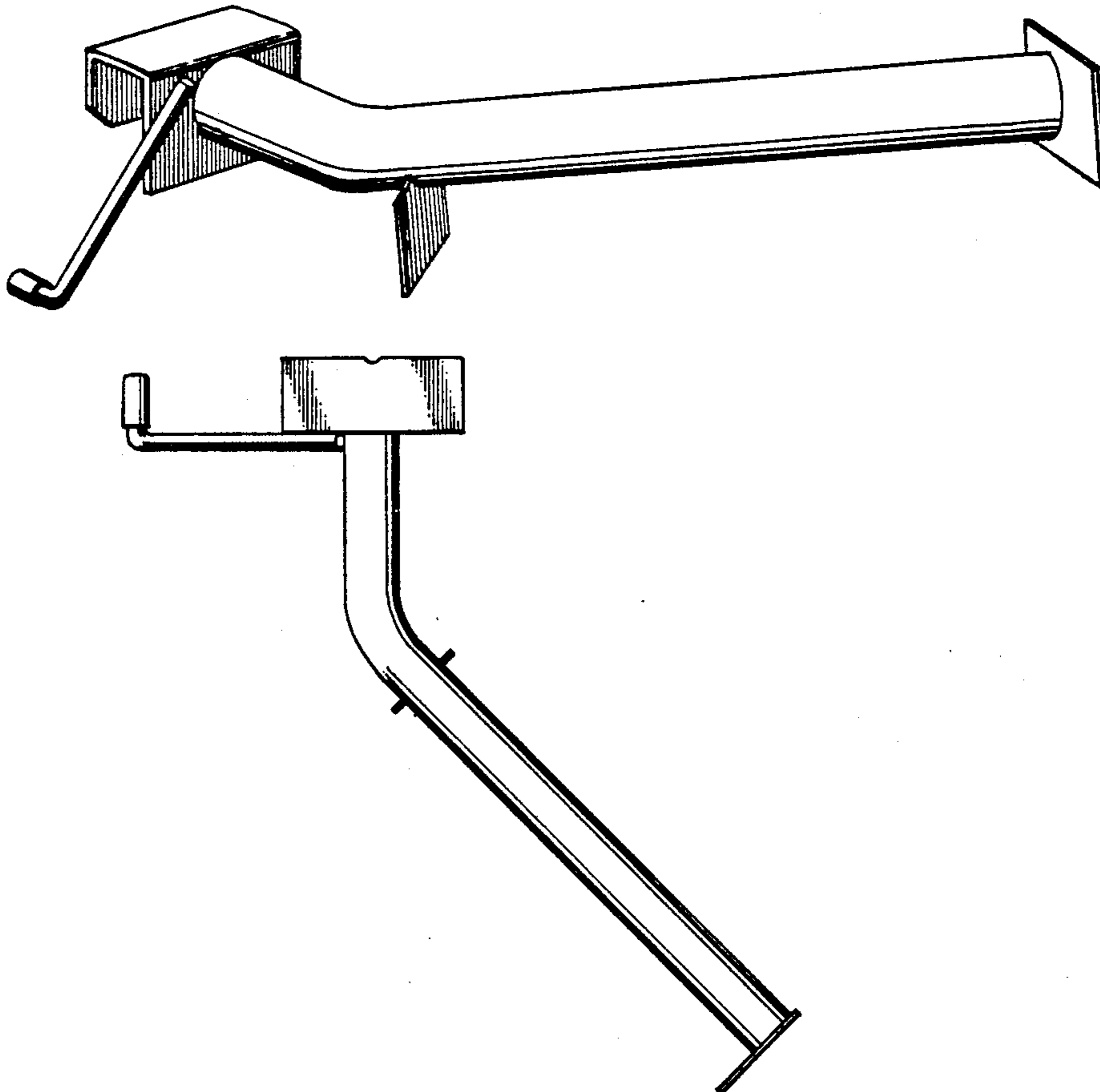


Fig. 1

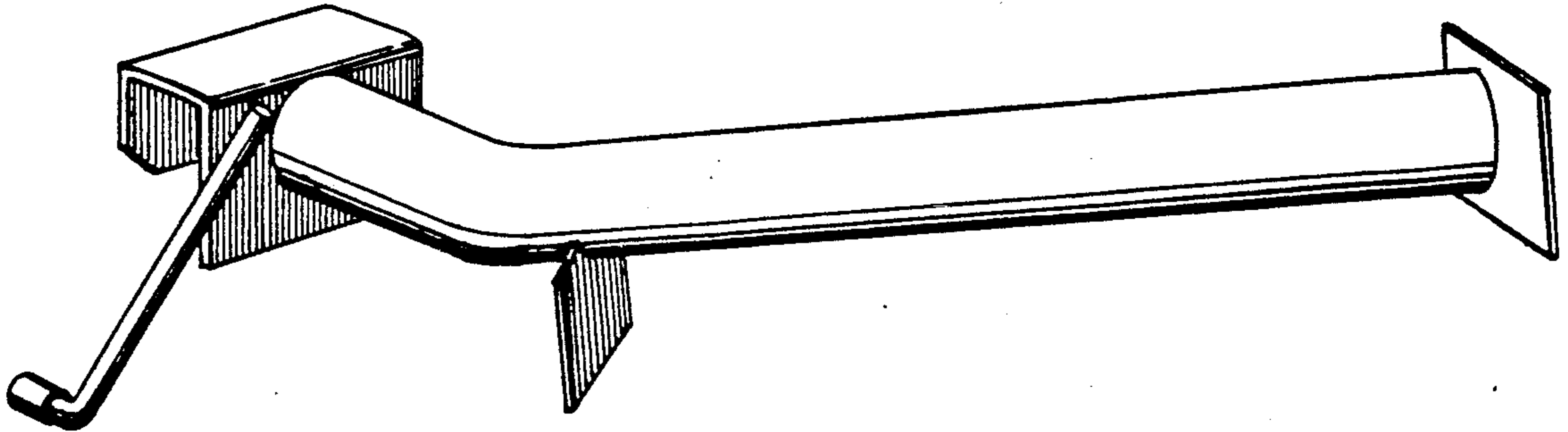


Fig. 2

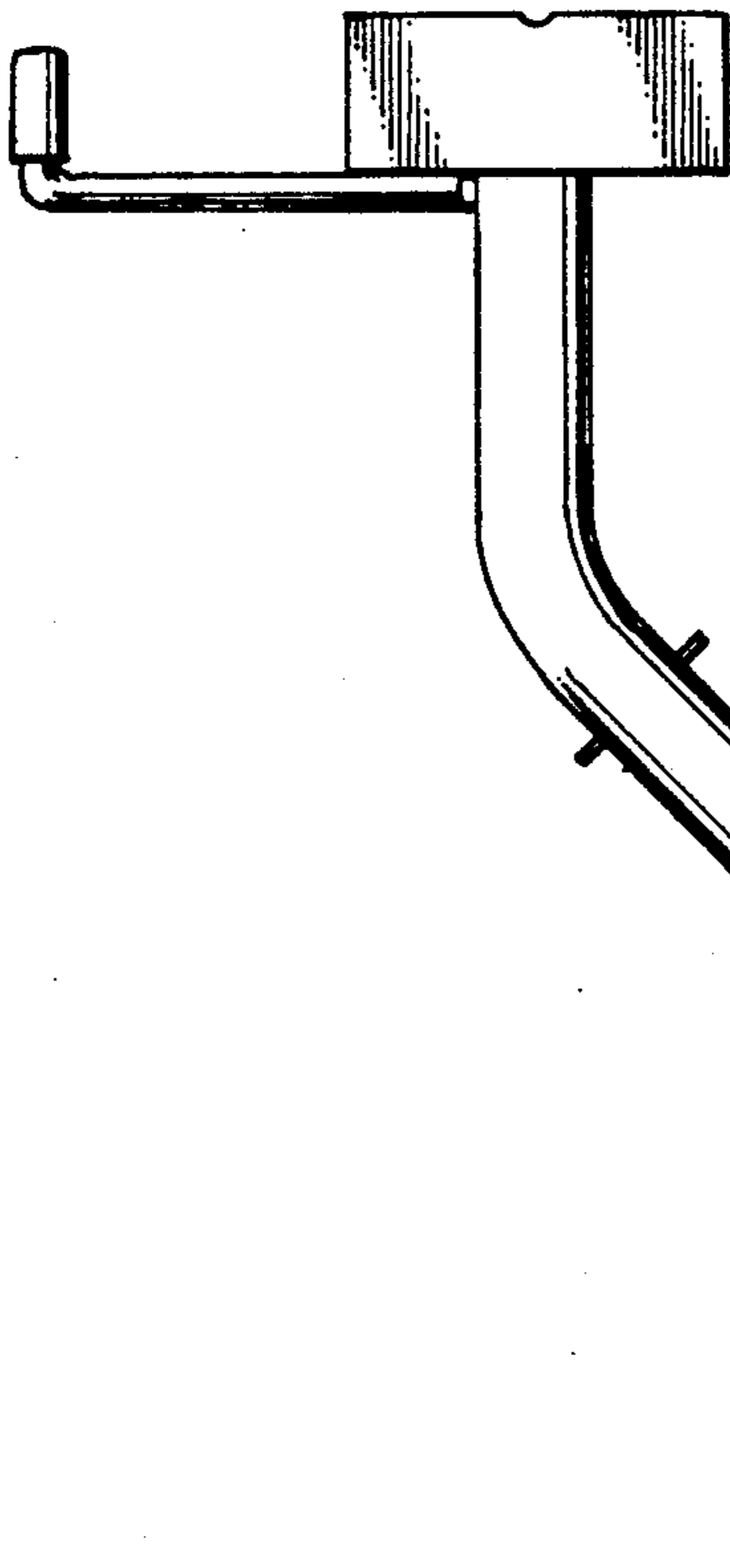


Fig. 3

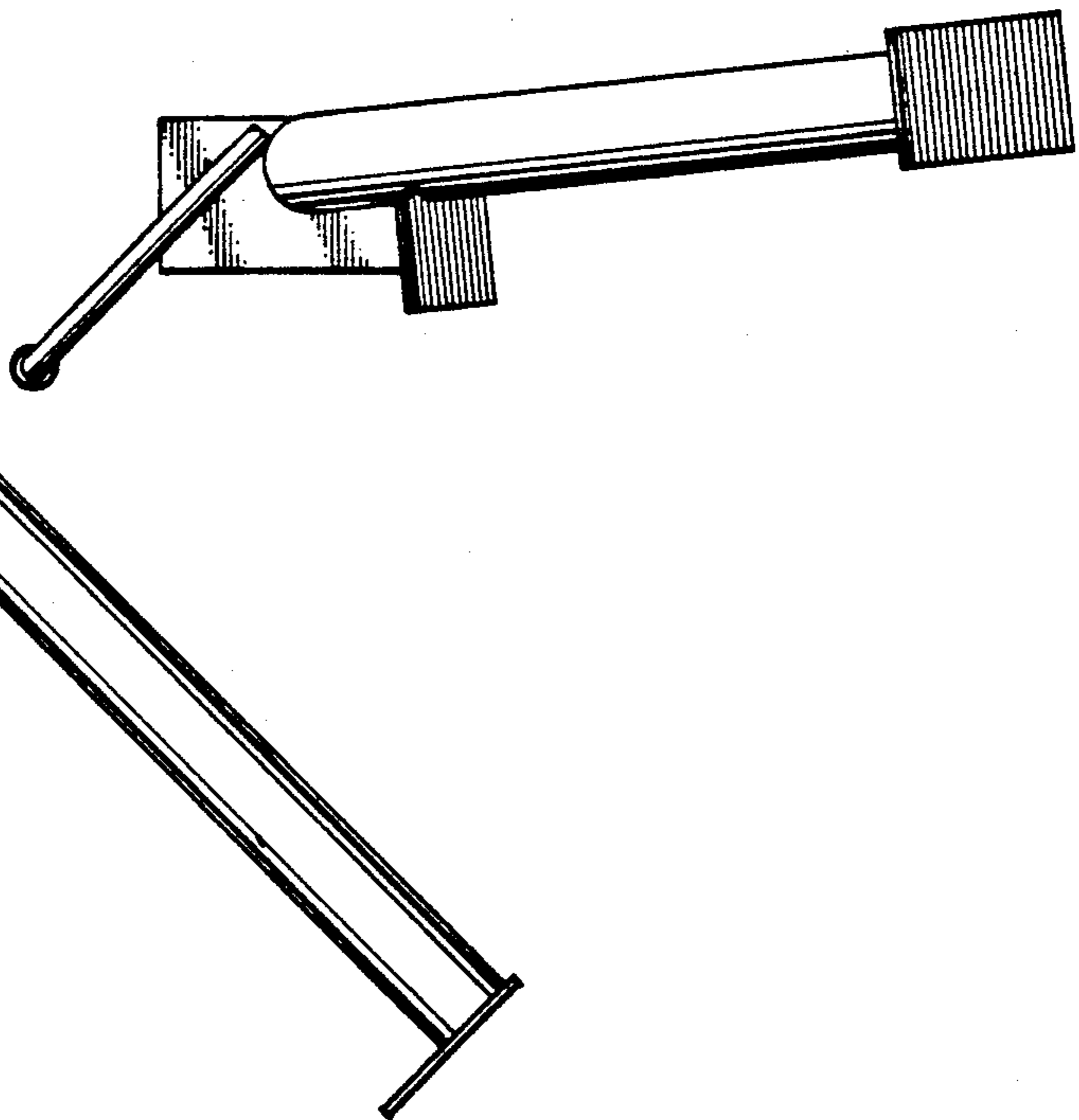


Fig. 4

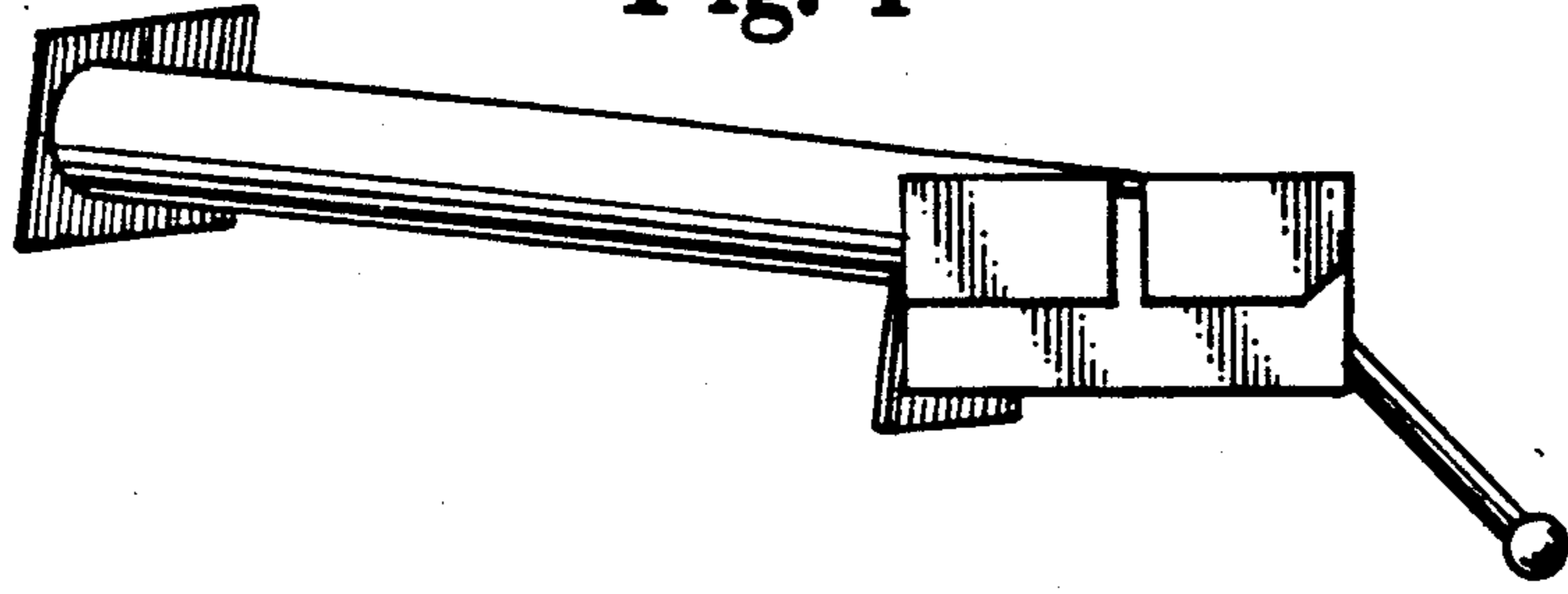


Fig. 5

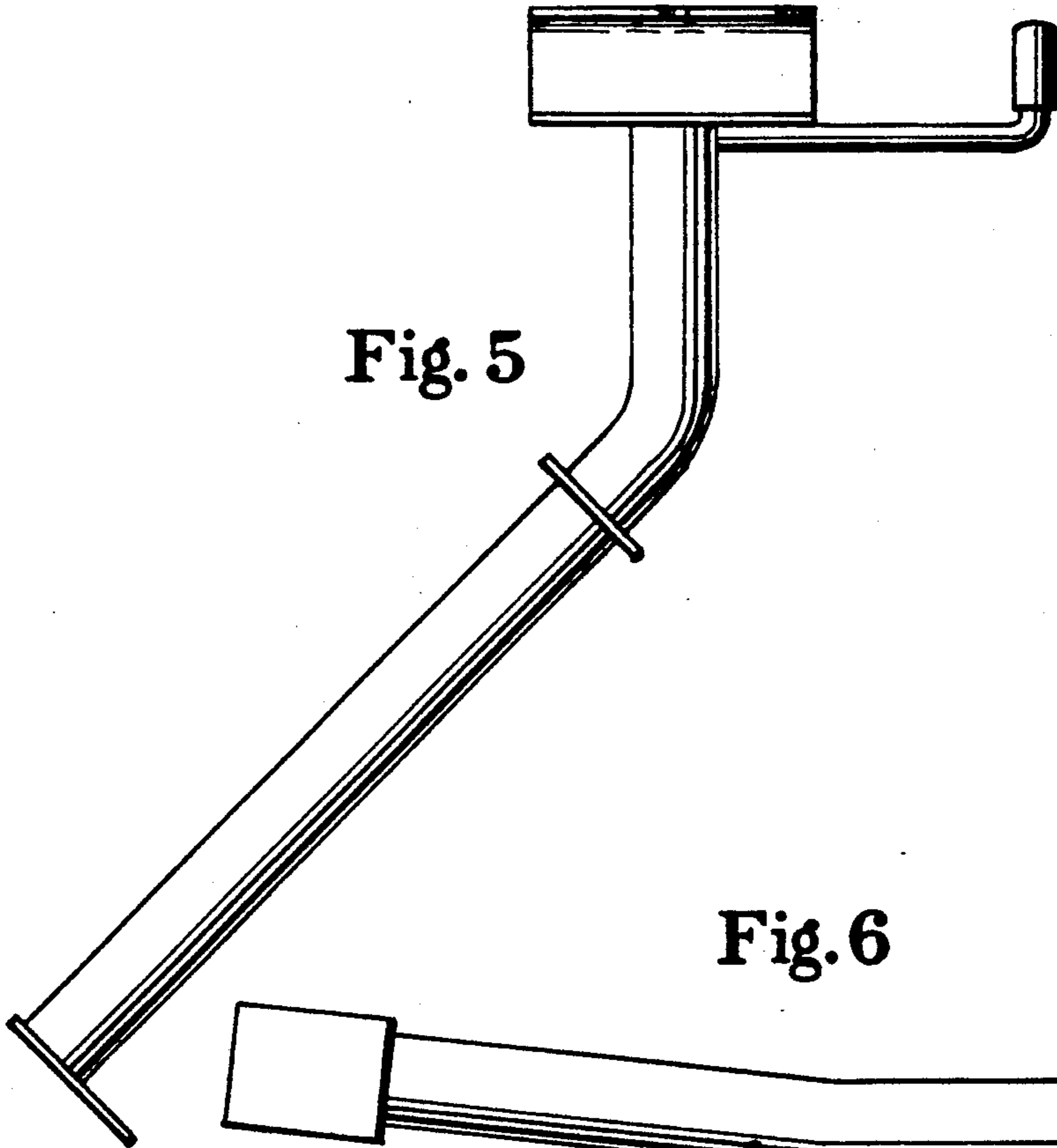


Fig. 6

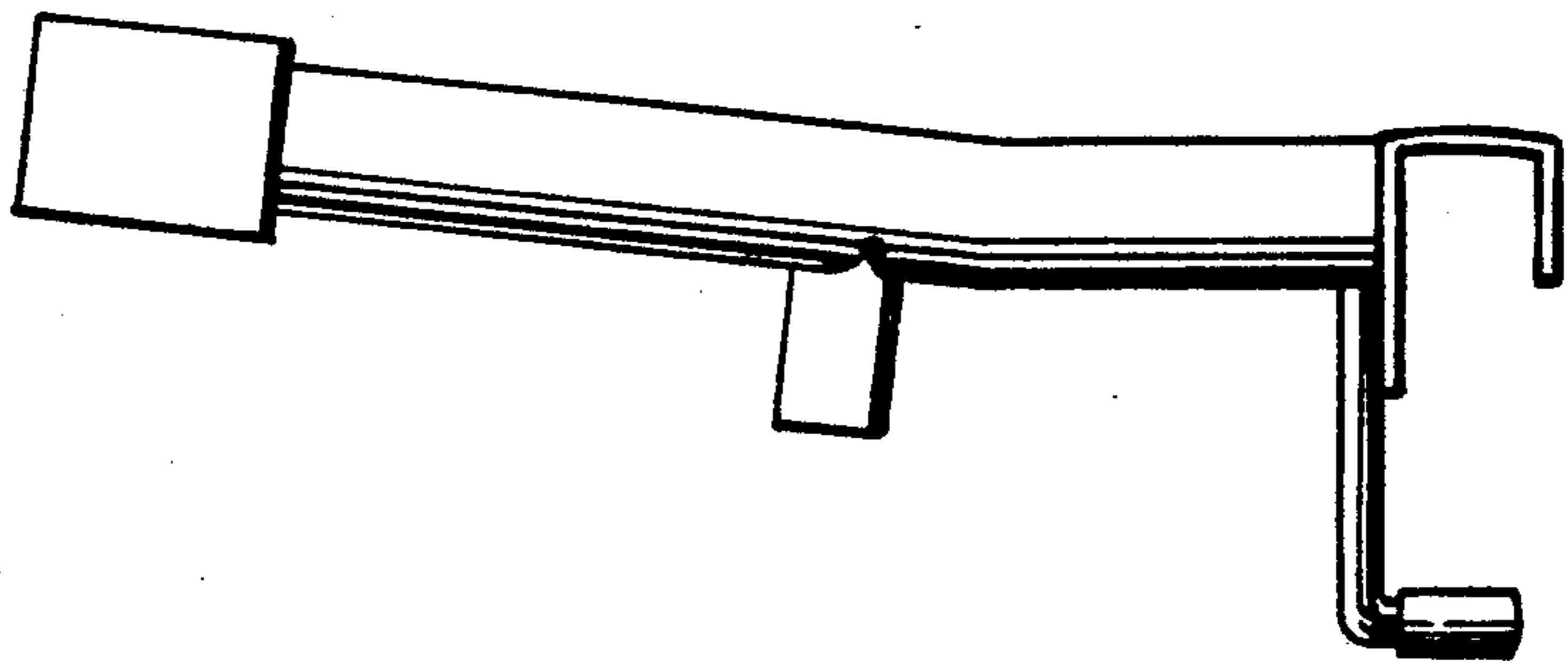


Fig. 7

