



US00D335620S

United States Patent [19]

[11] Patent Number: **Des. 335,620**

Farian et al.

[45] Date of Patent: **** May 18, 1993**

[54] **SCREW GUN**
[75] Inventors: **Gerhard Farian, Grossbettlingen; Guenter Haas, Wolfschlugen, both of Fed. Rep. of Germany**

4,858,811 8/1989 Brosius et al. D8/68 X
5,027,679 7/1991 Kawashima et al. 81/433
5,031,489 7/1991 Young et al. 81/430

[73] Assignee: **Karl M. Reich Maschinenfabrik GmbH, Nuertingen, Fed. Rep. of Germany**

Primary Examiner—Alan P. Douglas
Assistant Examiner—J. H. Musgrove
Attorney, Agent, or Firm—W. G. Fasse

[**] Term: **14 Years**

[57] **CLAIM**

[21] Appl. No.: **651,482**

The ornamental design of a screw gun, as shown and described.

[22] Filed: **Feb. 6, 1991**

DESCRIPTION

[30] **Foreign Application Priority Data**

Aug. 25, 1990 [DE] Fed. Rep. of Germany M9005602.7

[52] U.S. Cl. **D8/68**

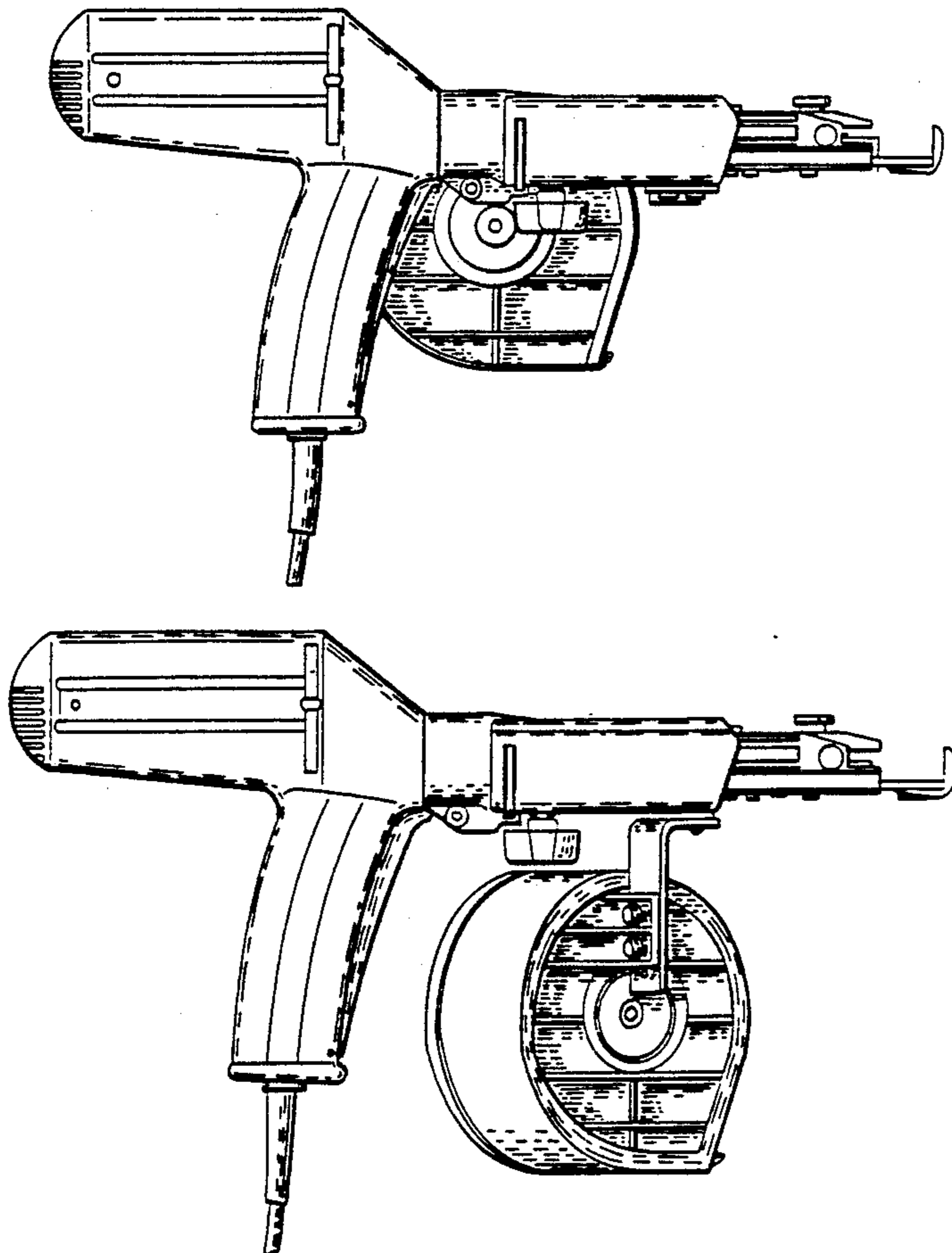
[58] Field of Search D8/61, 68; 227/136; 81/57.11, 57.13, 57.37, 430, 431, 432, 433, 434

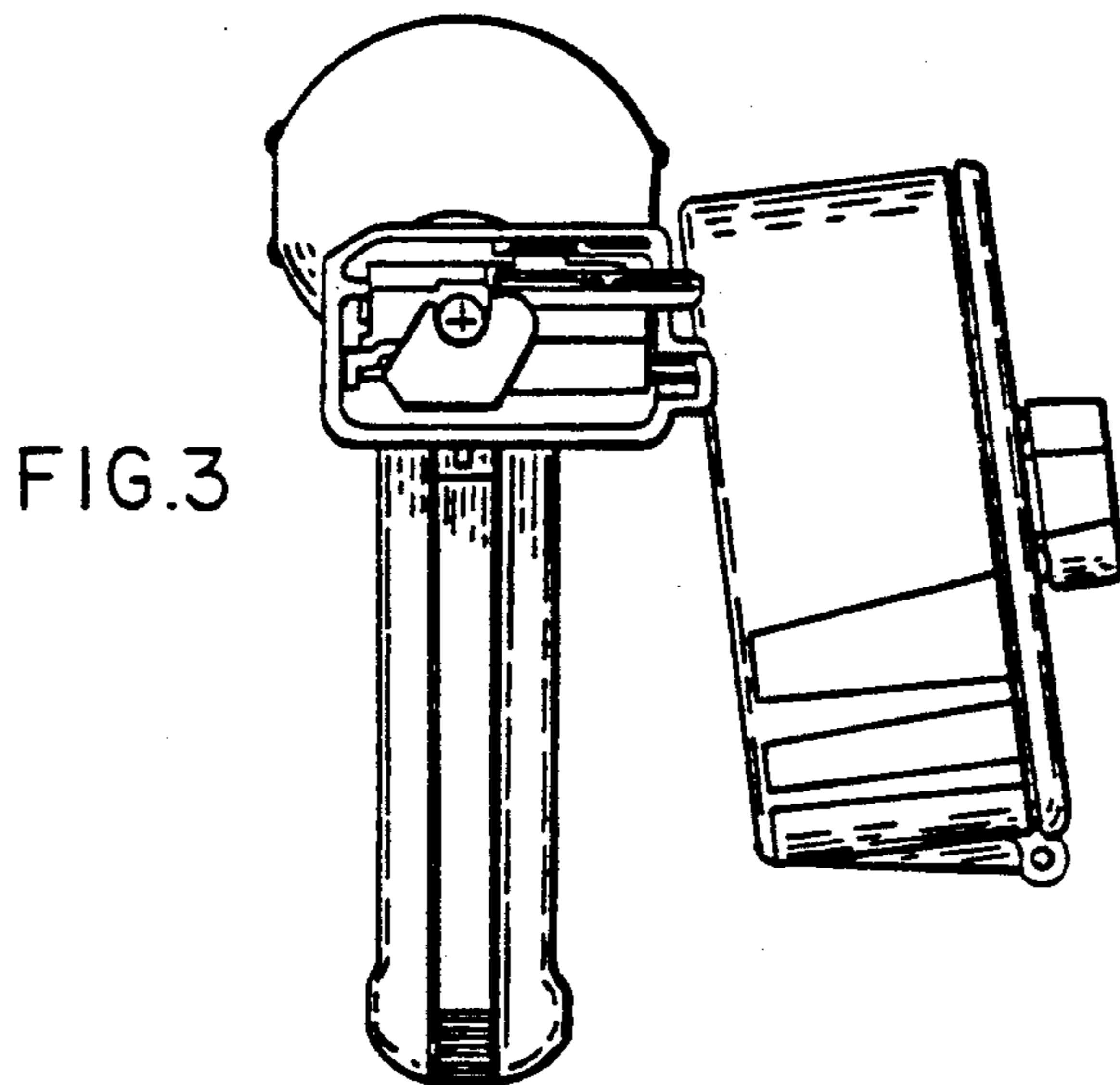
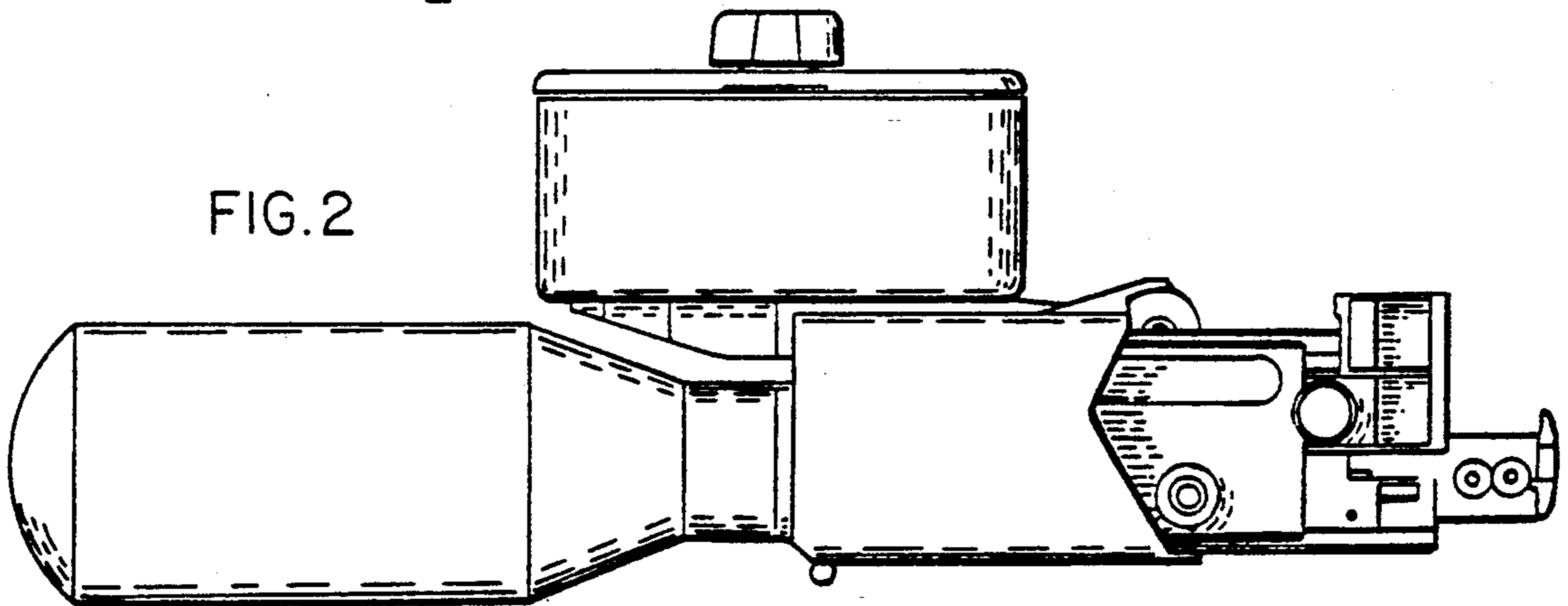
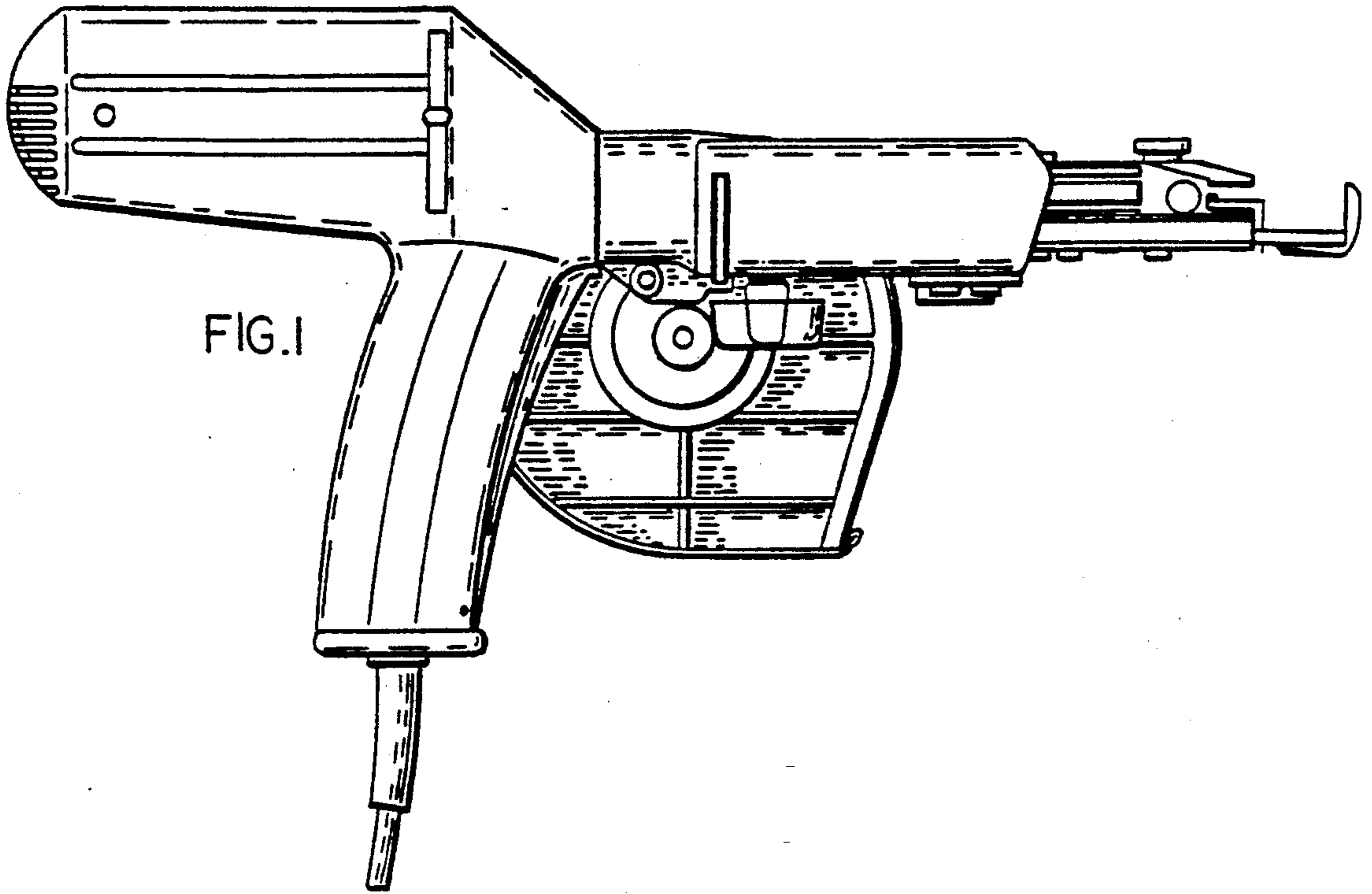
FIG. 1 is a side view of a first embodiment of my new screw gun design;
FIG. 2 shows a top plan view of the screw gun of FIG. 1;
FIG. 3 is a rear view of the screw gun of FIGS. 1 and 2;
FIG. 4 is a side view of a second embodiment of my new screw gun design with another appearance of the screw magazine compared to FIG. 1;
FIG. 5 is a top plan view of the embodiment shown in FIG. 4;
FIG. 6 is a rear view of the embodiment of FIGS. 4 and 5;
FIG. 7 shows the back side of FIG. 2; and,
FIG. 8 shows the back side of FIG. 5.

[56] **References Cited**

U.S. PATENT DOCUMENTS

D. 239,363 3/1976 Obergfell et al. .
4,625,597 12/1986 Cast 81/57.37
4,667,545 5/1987 Gould, Jr. et al. 81/57.37





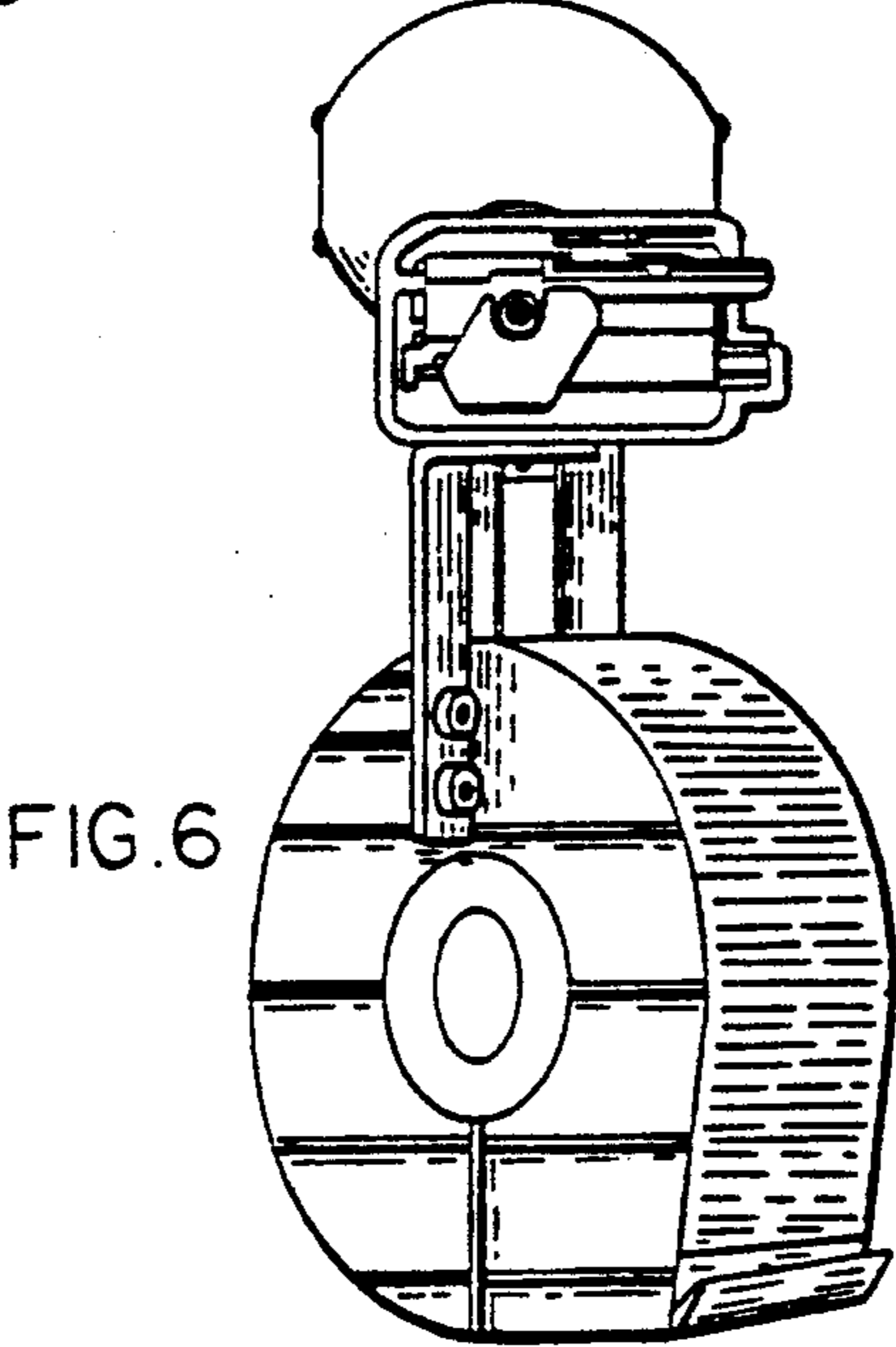
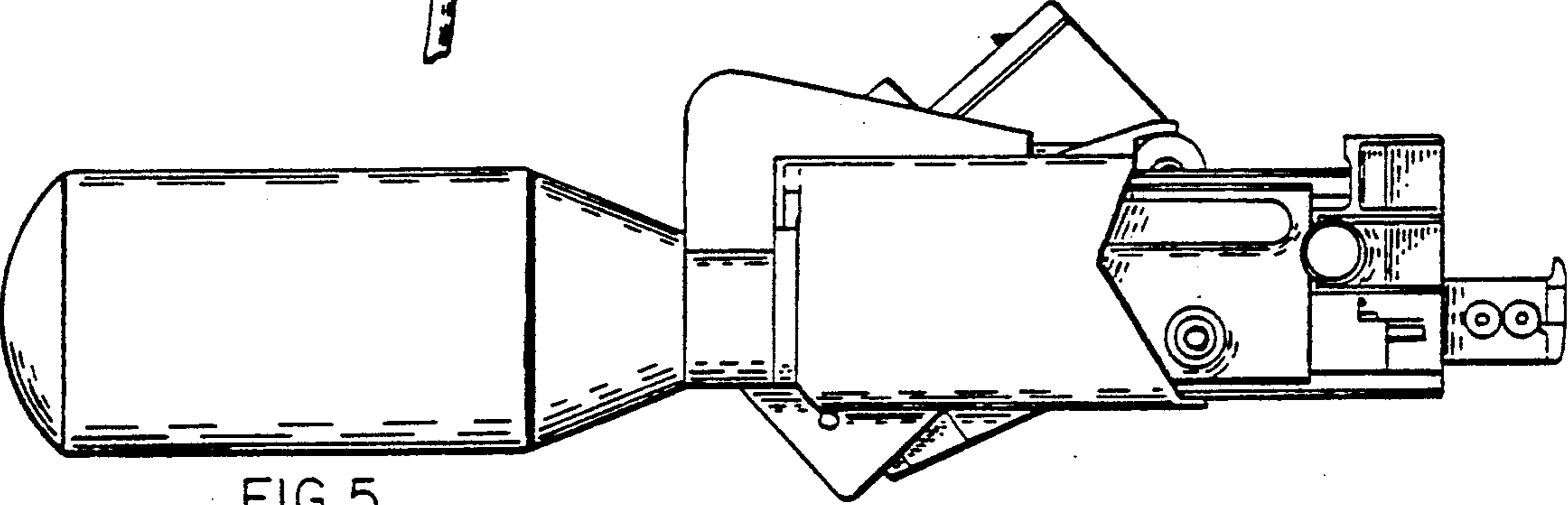
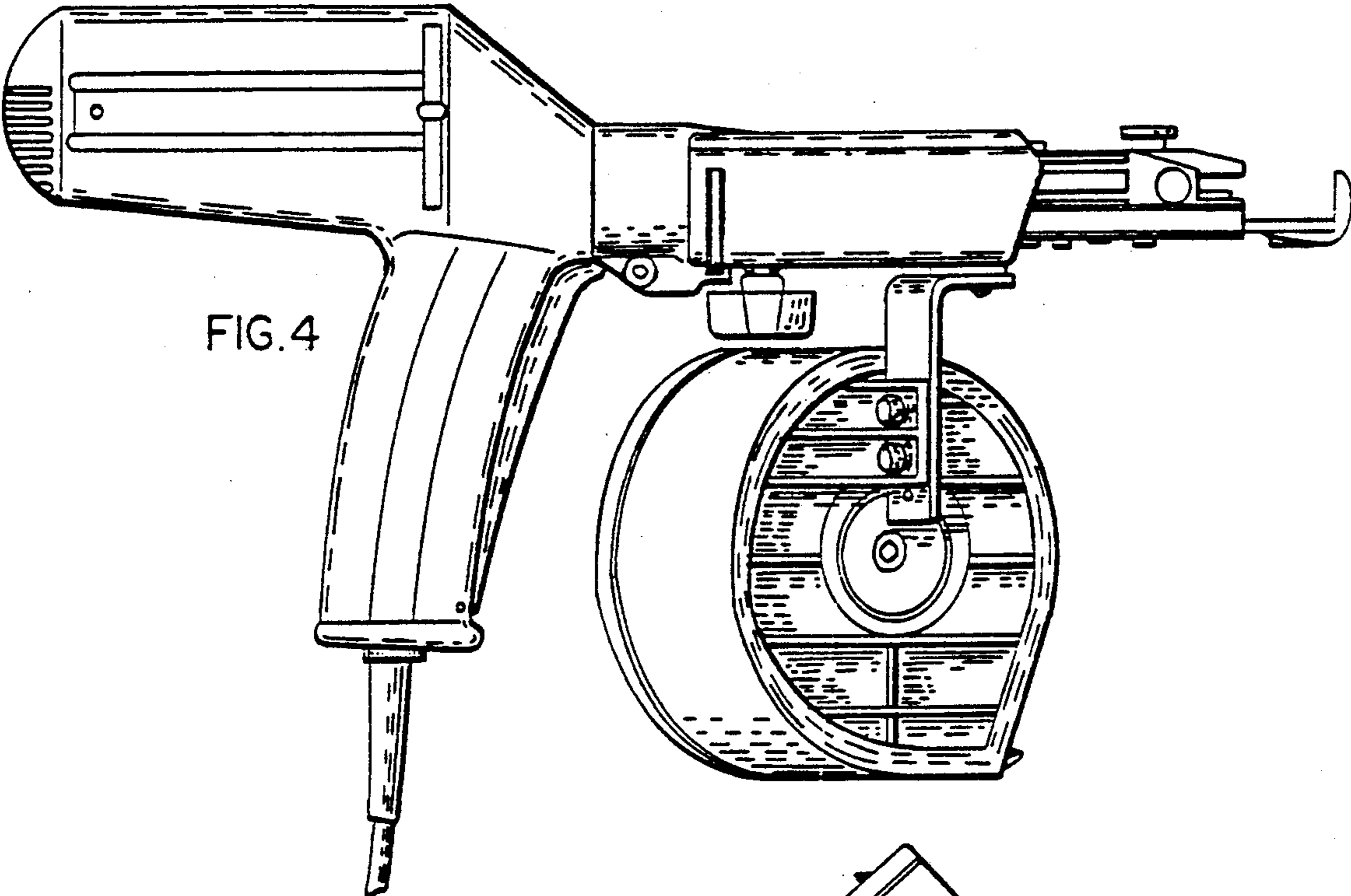


FIG. 7

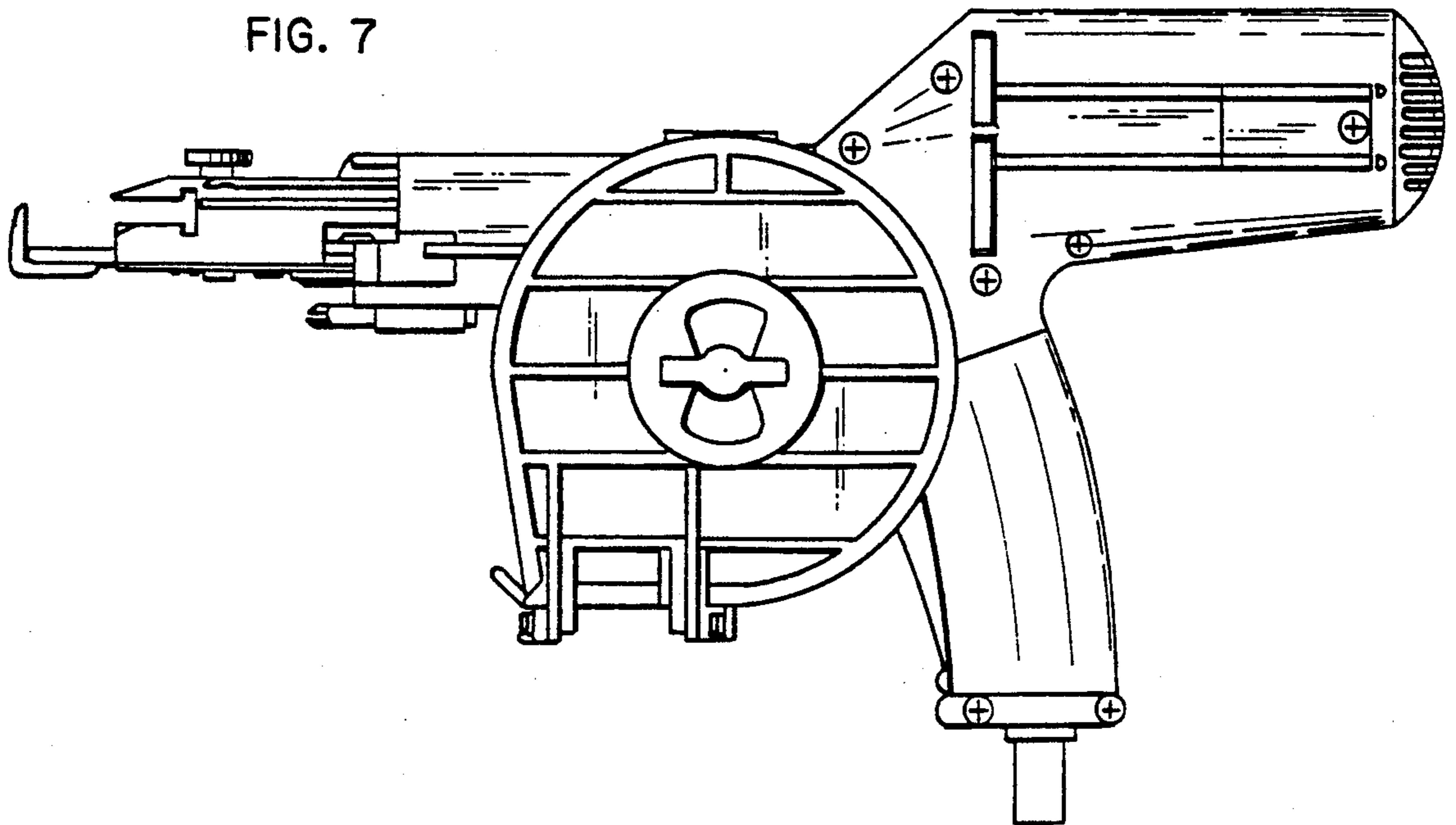
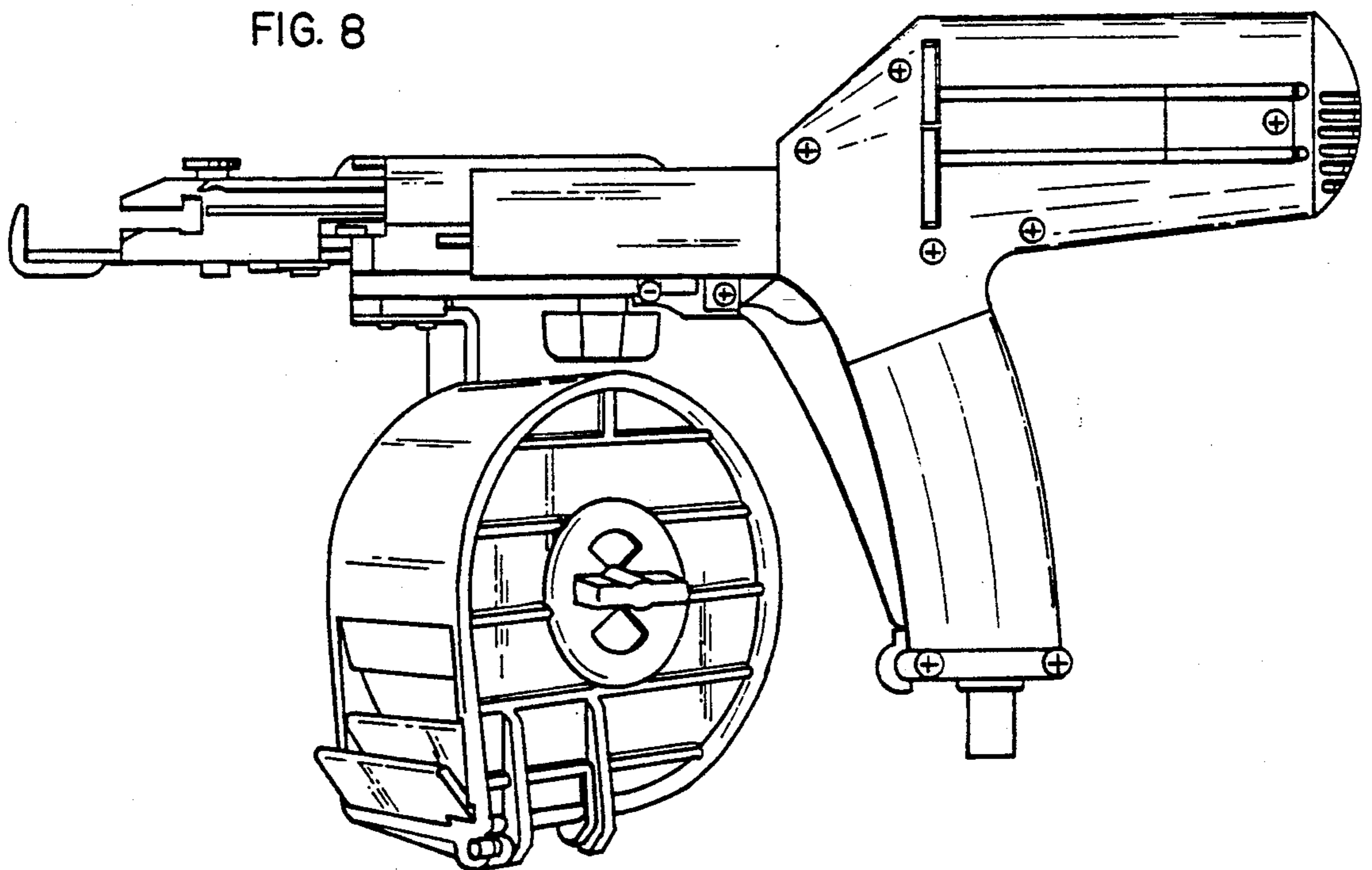


FIG. 8



UNITED STATES PATENT AND TRADEMARK OFFICE
CERTIFICATE OF CORRECTION

PATENT NO. : Des. 335,620
DATED : May 18, 1993
INVENTOR(S) : Gerhard Farian

It is certified that error appears in the above-identified patent and that said Letters Patent is hereby corrected as shown below:

On the title page, under item [57] Claim:

In the Description of the Figures

replace line 5 to read:

--FIG.3 is a front view of the screw gun of FIGS. 1 and--

replace line 12 to read:

--FIG.6 is a front view of the embodiment of FIGS. 4 and--.

Signed and Sealed this
Eleventh Day of October, 1994

Attest:



BRUCE LEHMAN

Attesting Officer

Commissioner of Patents and Trademarks