



US00D335619S

United States Patent [19]
Ogawa et al.

[11] **Patent Number: Des. 335,619**
[45] **Date of Patent: ** May 18, 1993**

[54] **PORTABLE ELECTRIC HAMMER**

[75] **Inventors: Yasunori Ogawa, Mito; Norio Nitta; Mutsuo Harada, both Katsuta, all of Japan**

[73] **Assignee: Hitachi Koki Company Limited, Tokyo, Japan**

[**] **Term: 14 Years**

[21] **Appl. No.: 669,305**

[22] **Filed: Mar. 13, 1991**

[30] **Foreign Application Priority Data**

Sep. 21, 1990 [JP] Japan 2-31796
[52] **U.S. Cl. D8/67; D8/61**
[58] **Field of Search D8/61, 67; D15/147, D15/199; 125/40, 41; 173/170, 122, 117**

[56] **References Cited**

U.S. PATENT DOCUMENTS
D. 301,967 7/1989 Sakamoto et al. D8/61
D. 316,020 4/1991 Fushiya et al. D8/61
D. 319,960 9/1991 Johansson D8/61
3,063,508 11/1962 Henry 173/122

OTHER PUBLICATIONS

Brochure of Hitachi Hammer Type H90; Hitachi Koki, March Showa 60 (1985).

Primary Examiner—Alan P. Douglas
Assistant Examiner—Jeff H. Musgrove
Attorney, Agent, or Firm—Lowe, Price, LeBlanc & Becker

[57] **CLAIM**

The ornamental design for portable electric hammer, as shown and described.

DESCRIPTION

FIG. 1 is a top, and right side perspective view of a portable electric hammer showing my new design; FIG. 2 is a front elevational view thereof; FIG. 3 is a bottom plan view thereof; FIG. 4 is a right side elevational view thereof; FIG. 5 is a rear elevational view thereof; FIG. 6 is a top plan view thereof; FIG. 7 is a left side elevational view thereof; and, FIG. 8 is a top and right side perspective view, the broken line showing of the bit is for illustrative purposes only and forms no part of the claimed design.

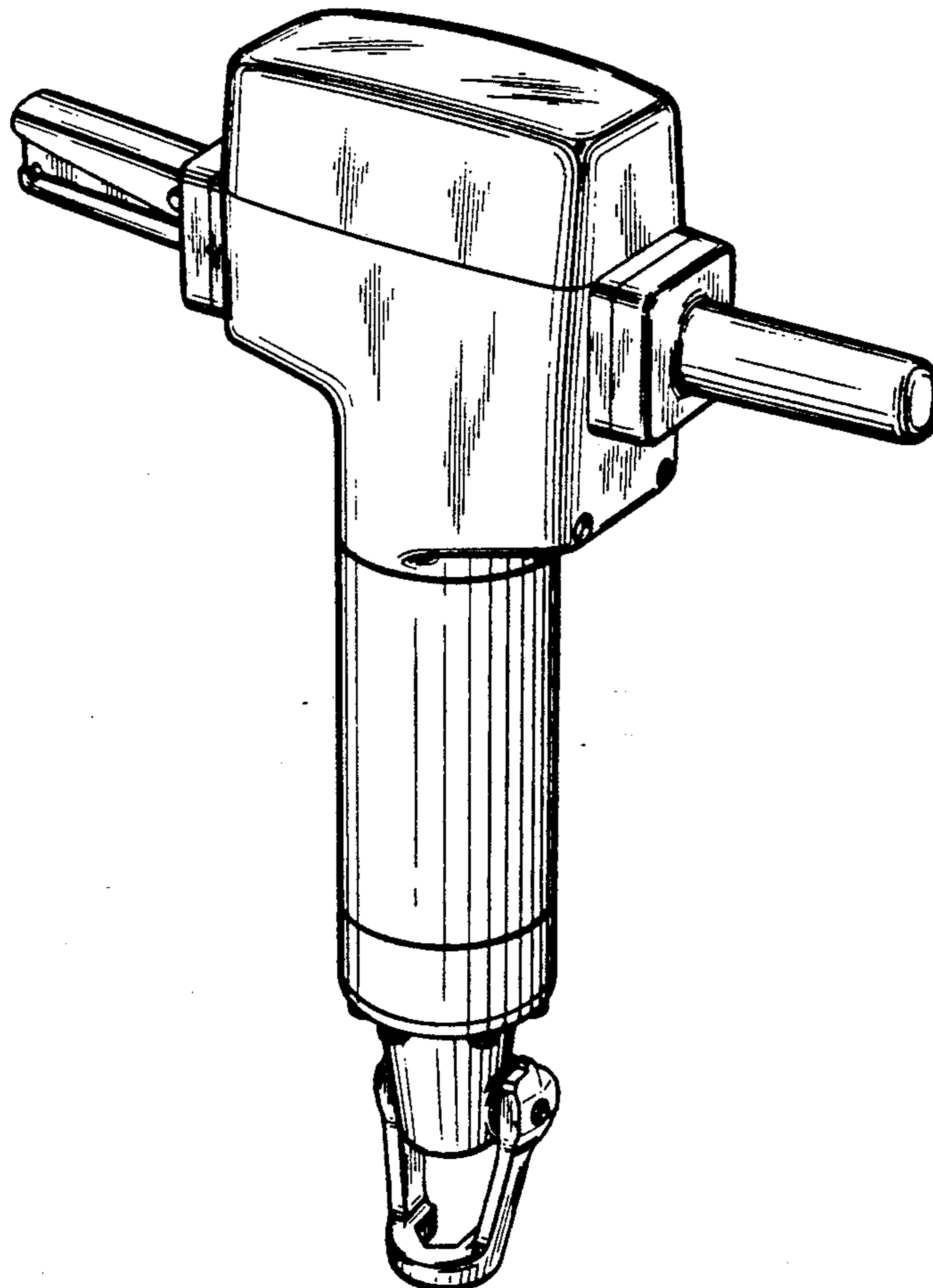


FIG. 1

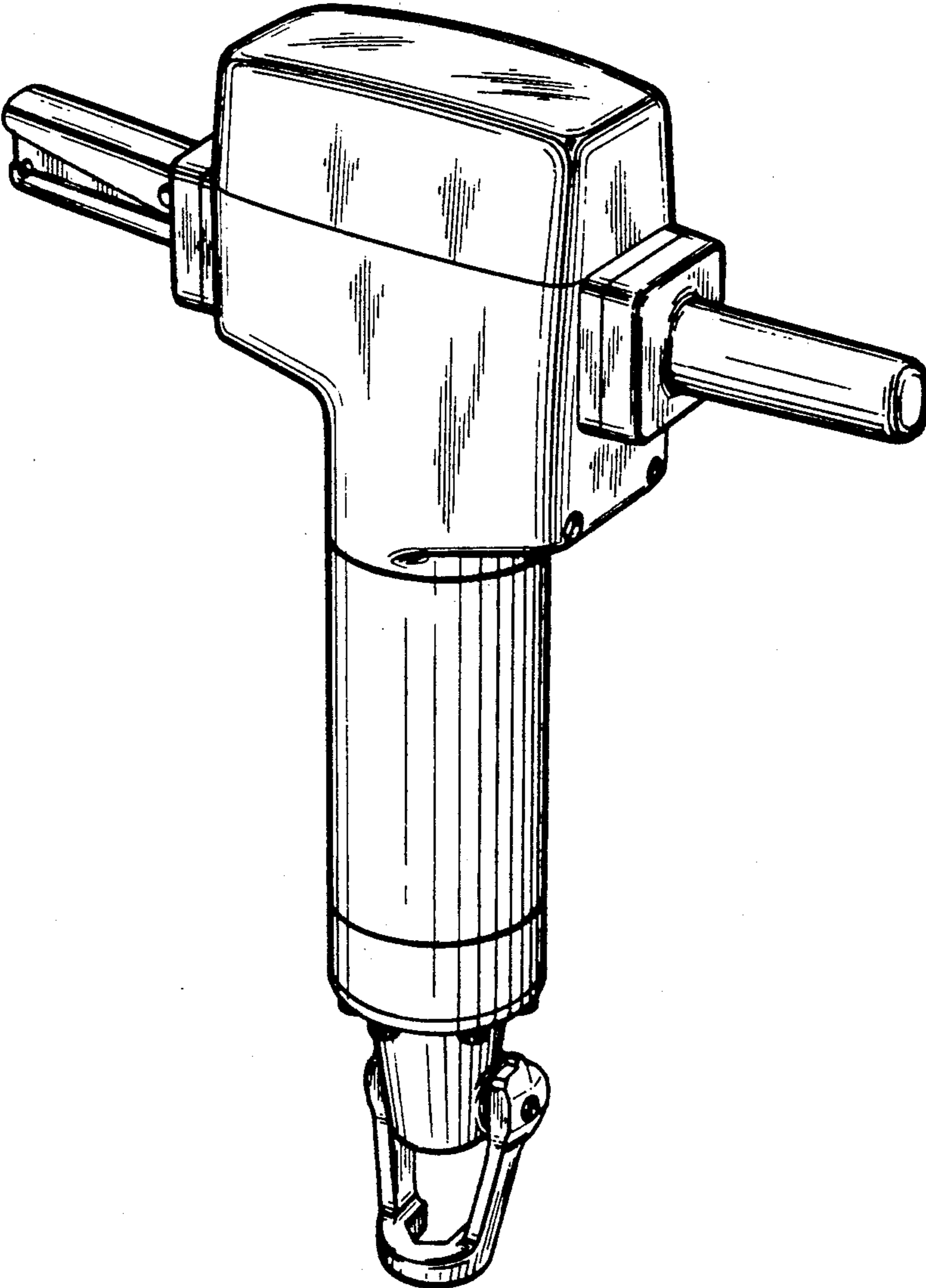


FIG. 2

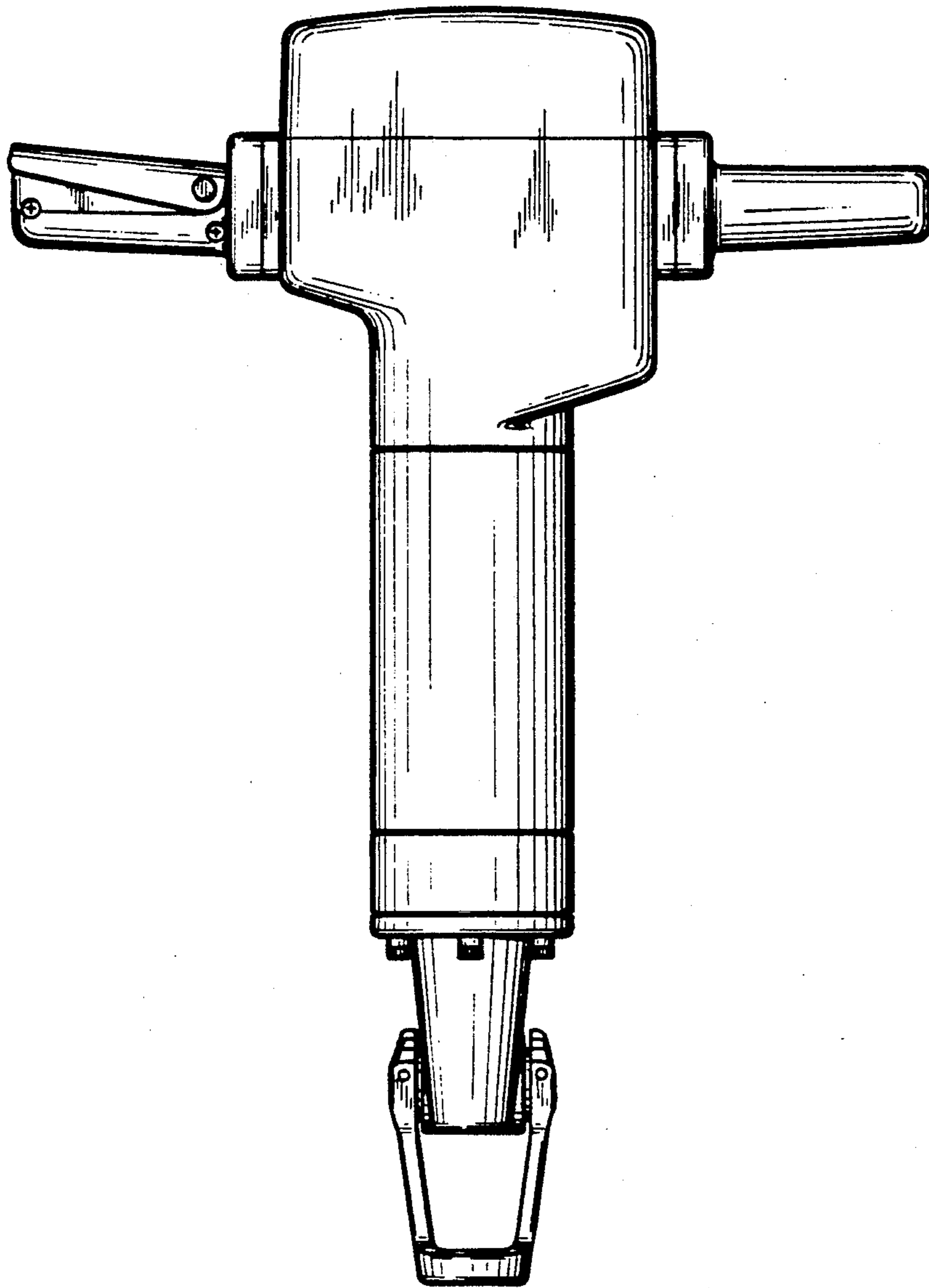


FIG. 3

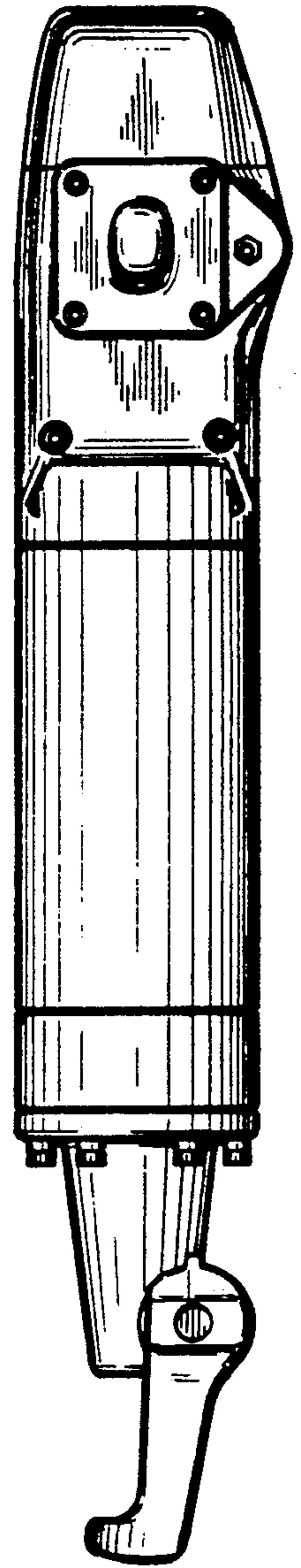


FIG. 4

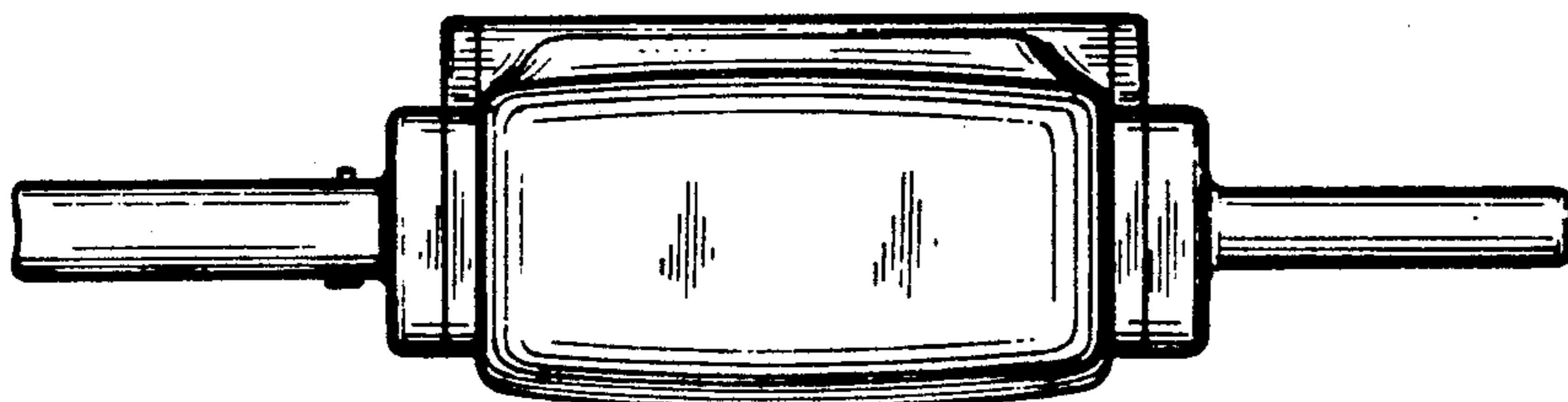


FIG. 5

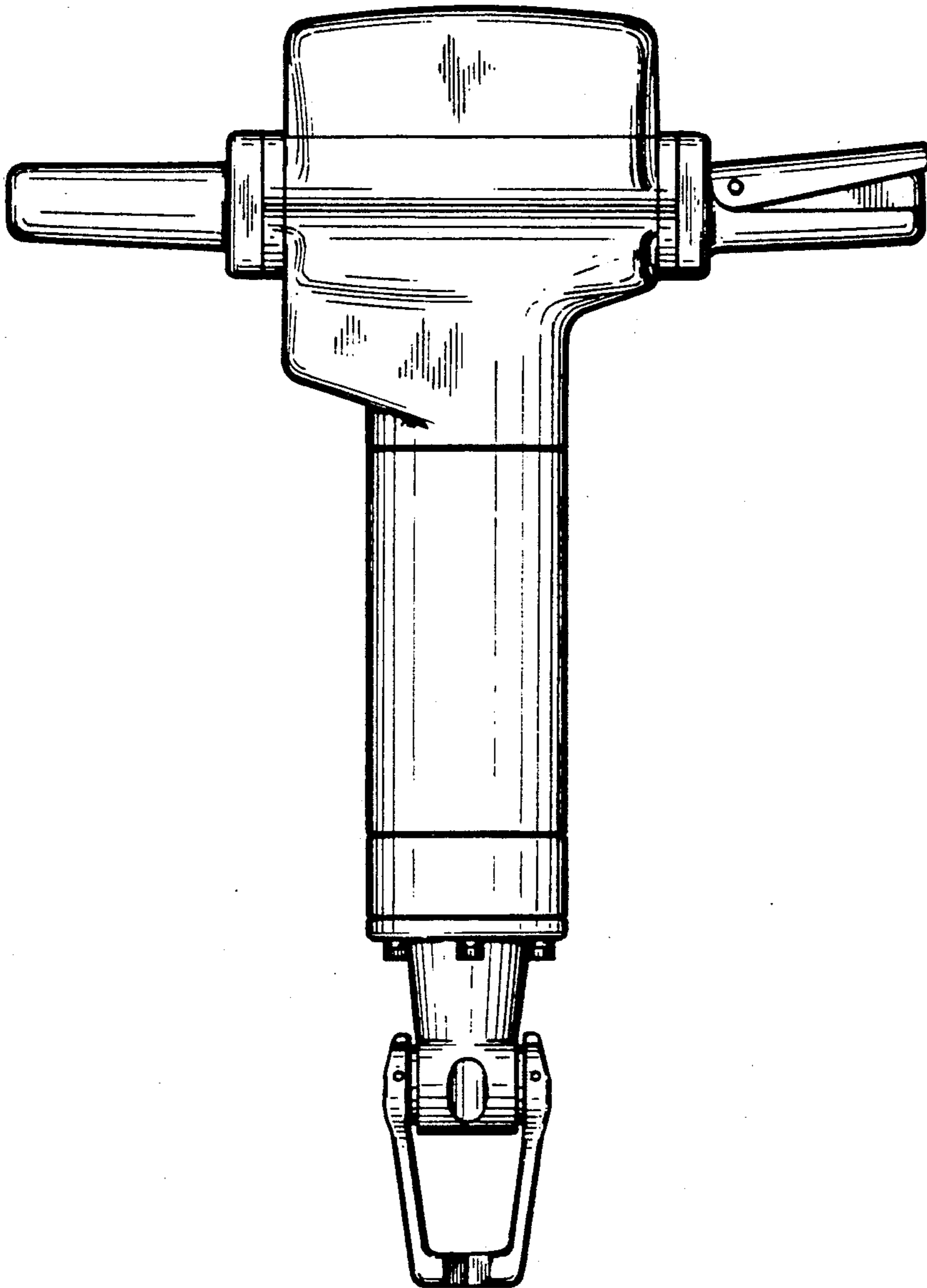


FIG. 6

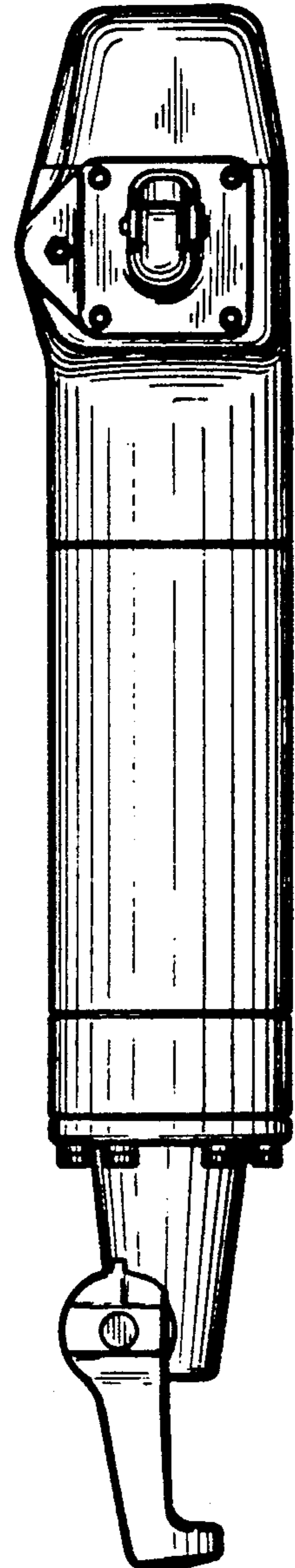


FIG. 7

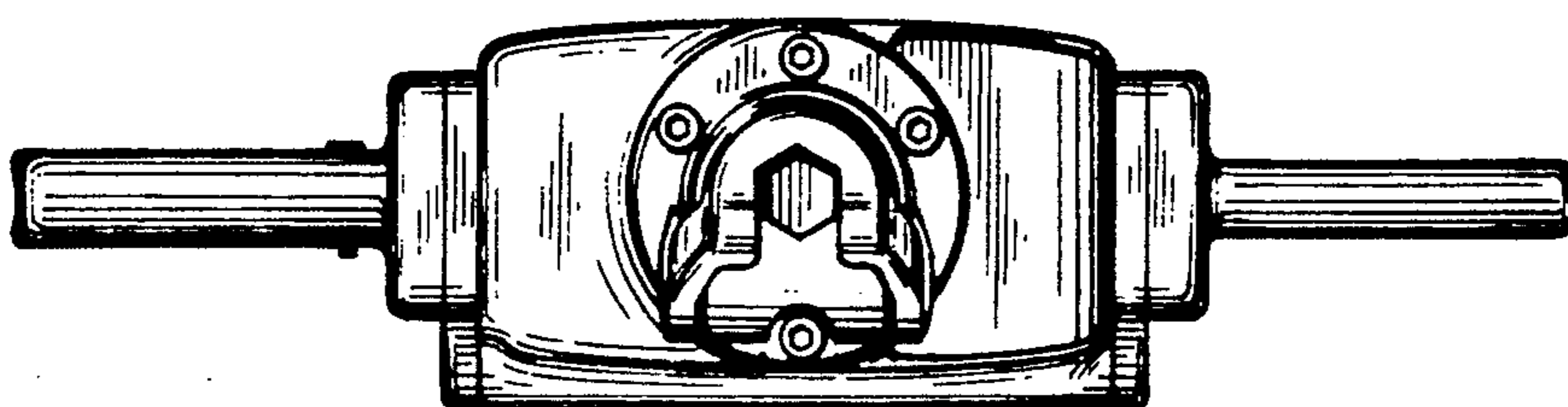


FIG. 8

