



US00D335618S

**United States Patent** [19]  
**Mogaki**

[11] **Patent Number: Des. 335,618**  
[45] **Date of Patent: \*\* May 18, 1993**

- [54] **PORTABLE VIBRATING SANDER**
- [75] **Inventor: Tadahisa Mogaki, Tokyo, Japan**
- [73] **Assignee: Nitto Kohki Co., Ltd., Tokyo, Japan**
- [\*\*] **Term: 14 Years**
- [21] **Appl. No.: 632,731**
- [22] **Filed: Dec. 26, 1990**
- [52] **U.S. Cl. .... D8/62**
- [58] **Field of Search ..... D8/61, 62; 51/170 R, 51/10 T, 170 TL, 170 MT**

- D. 314,125 1/1991 Ogawa et al. .... D8/62
- D. 326,398 5/1992 Fushiya et al. .... D8/62

*Primary Examiner*—Alan P. Douglas  
*Assistant Examiner*—J. H. Musgrove  
*Attorney, Agent, or Firm*—Wenderoth, Lind & Ponack

[57] **CLAIM**

The ornamental design for portable vibrating sander, as shown.

**DESCRIPTION**

FIG. 1 is a top, front and right-side perspective view of a portable vibrating sander showing my new design; FIG. 2 is a front elevational view thereof; FIG. 3 is a top plan view thereof; FIG. 4 is a bottom plan view thereof; FIG. 5 is a right side elevational view thereof; FIG. 6 is a left side elevational view thereof; and, FIG. 7 is a rear elevational view thereof.

[56] **References Cited**

**U.S. PATENT DOCUMENTS**

- D. 286,736 11/1986 Somers ..... D8/62
- D. 310,007 8/1990 Saito et al. .... D8/62
- D. 314,124 1/1991 Rogers et al. .... D8/62

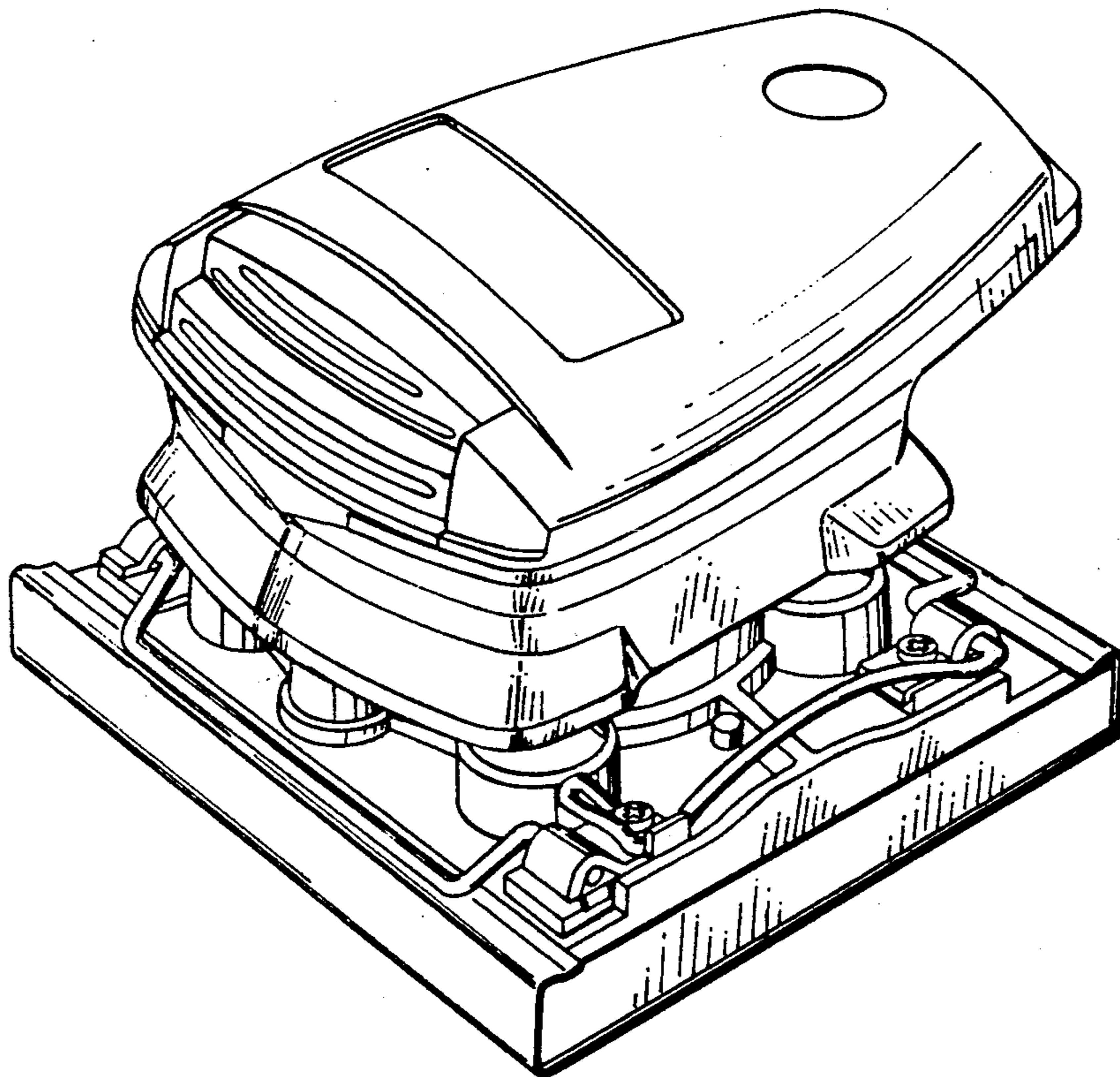


FIG. 1

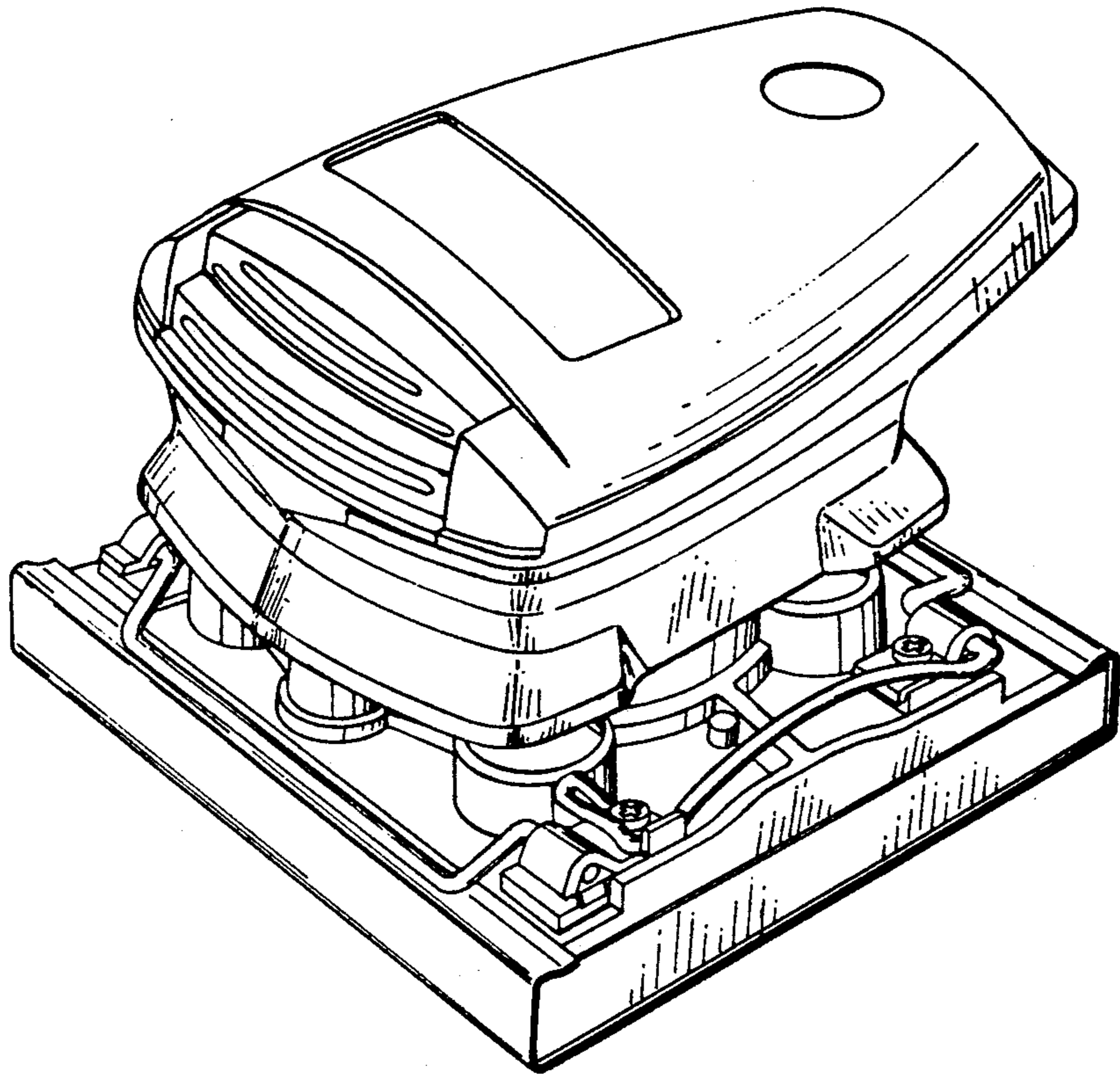


FIG. 2

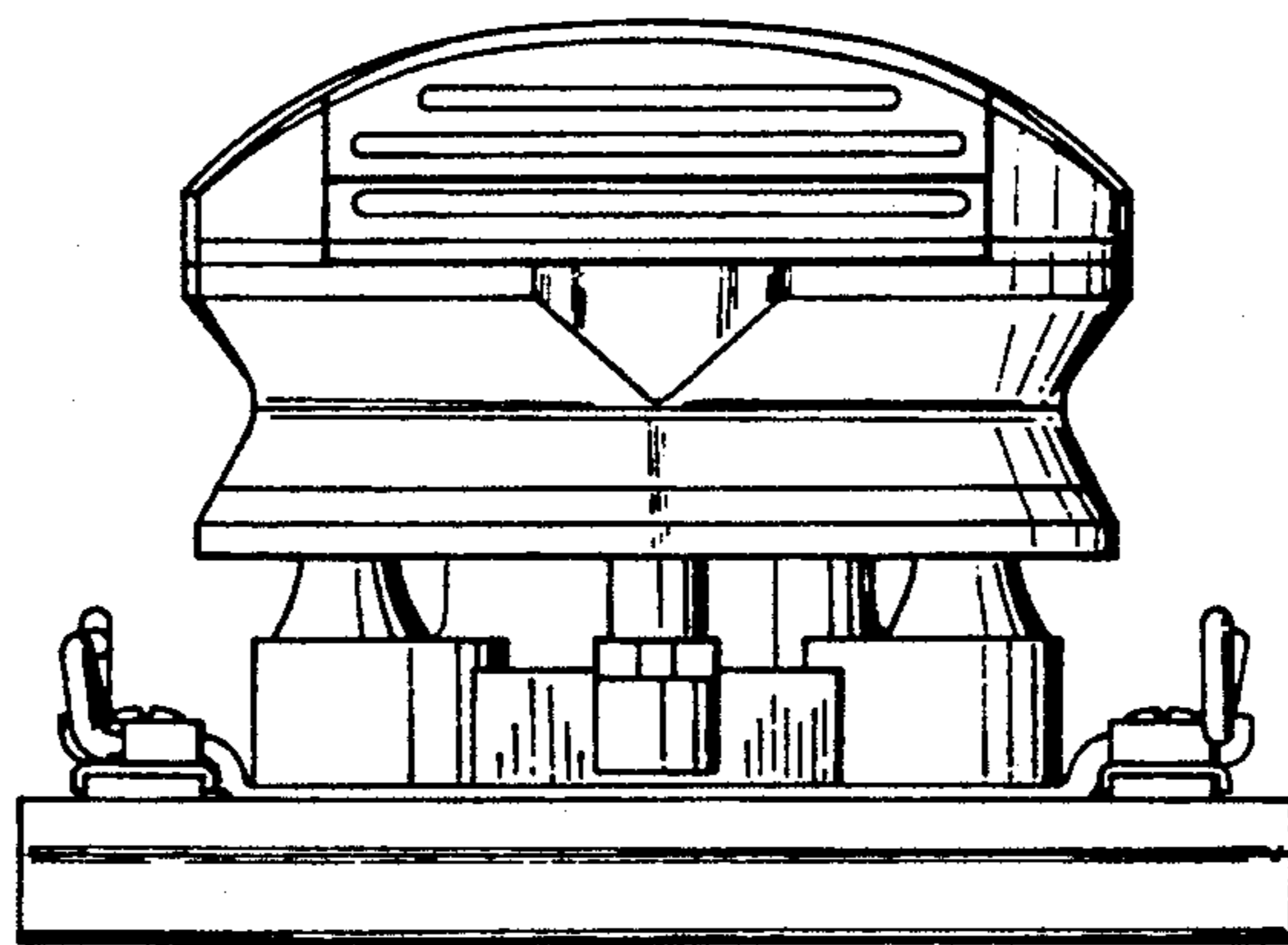


FIG. 3

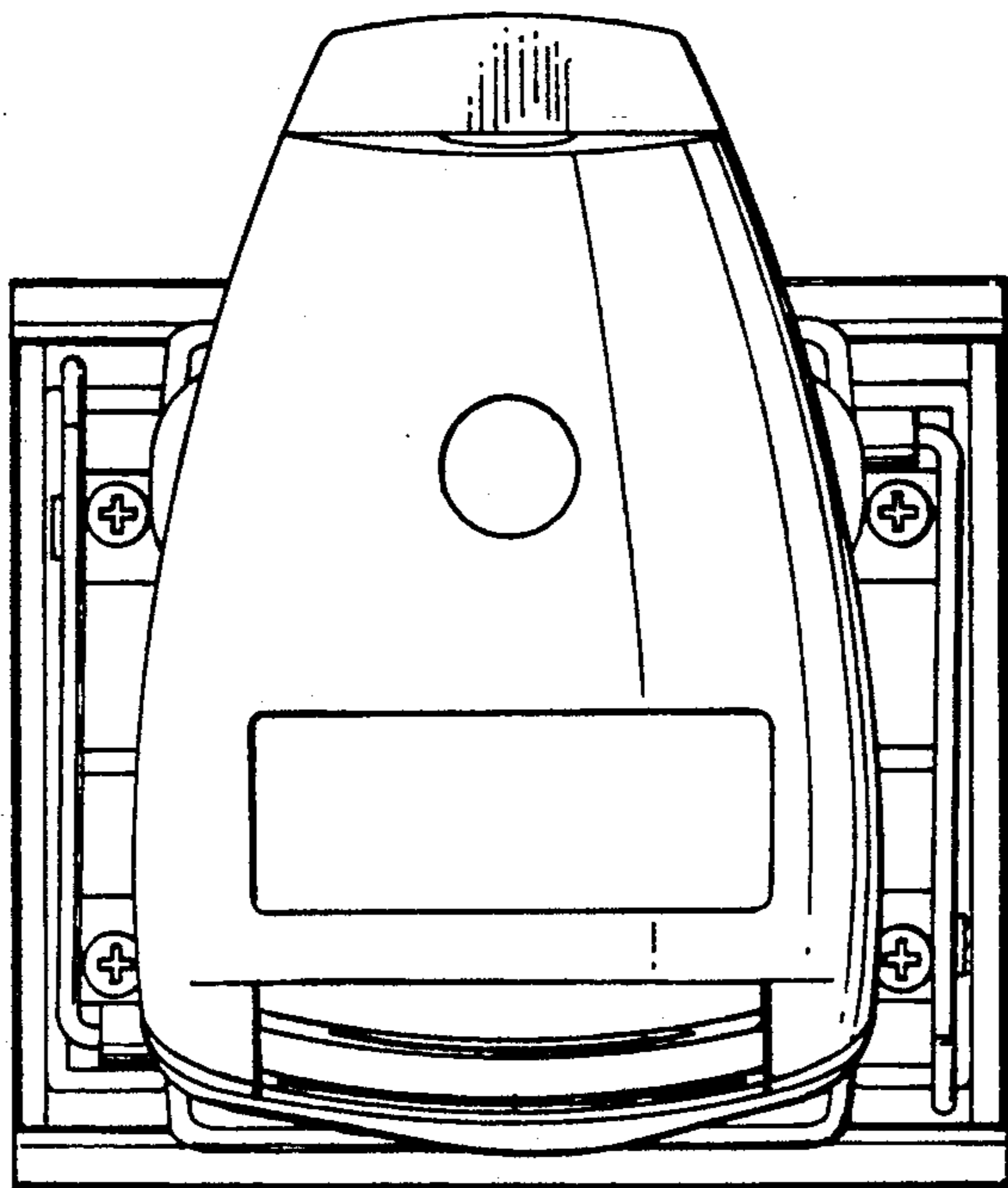


FIG. 4

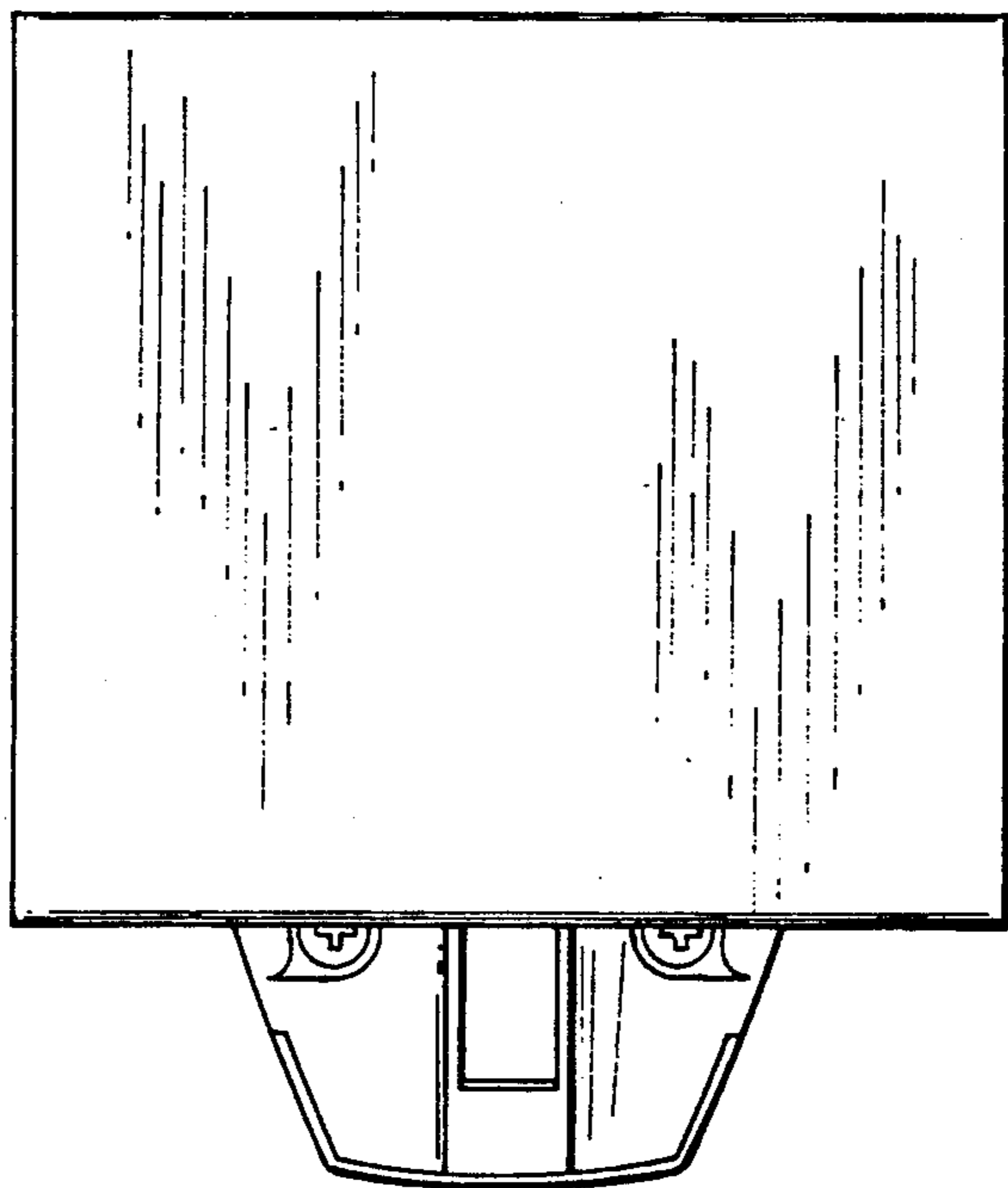


FIG. 5

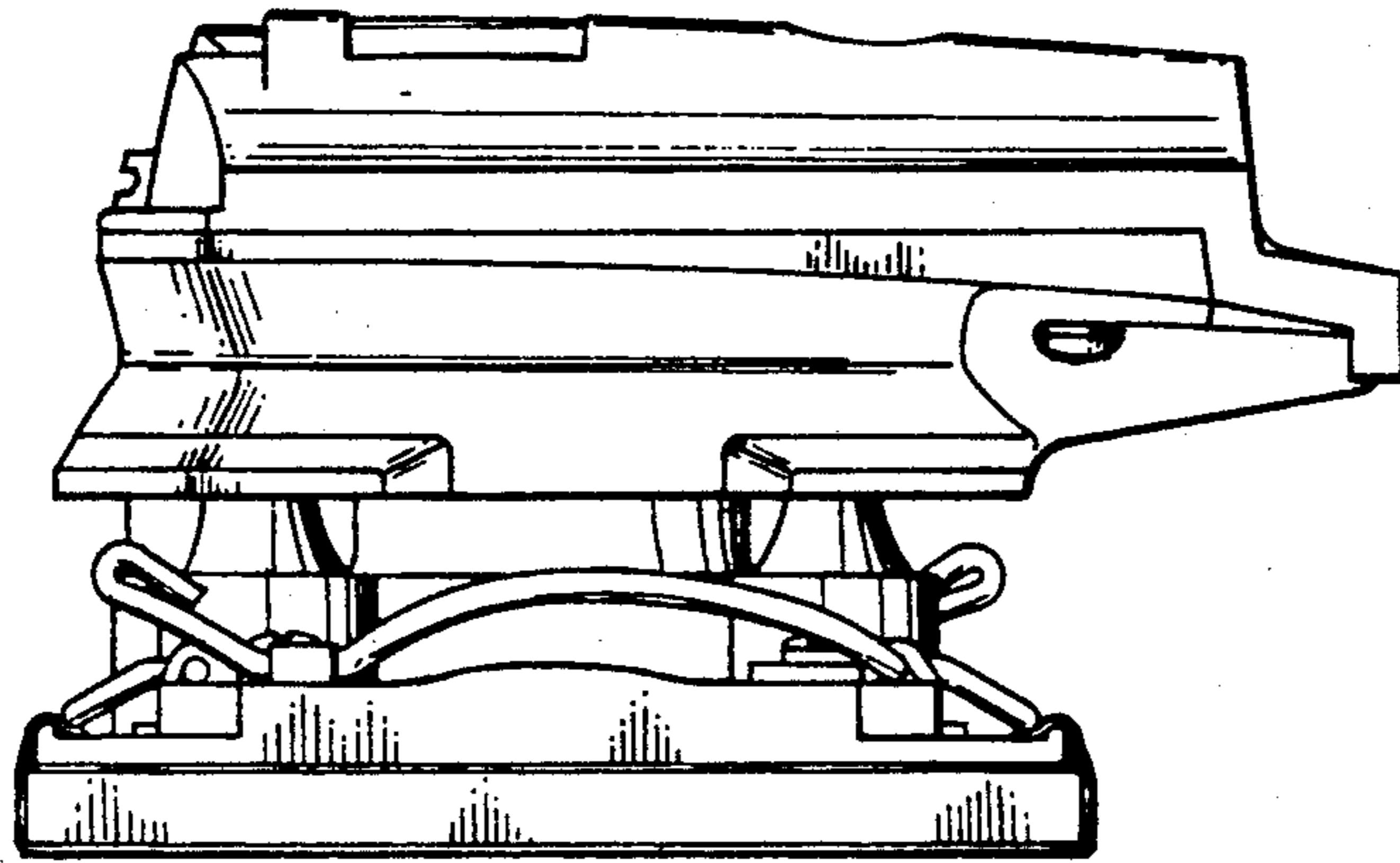


FIG. 6

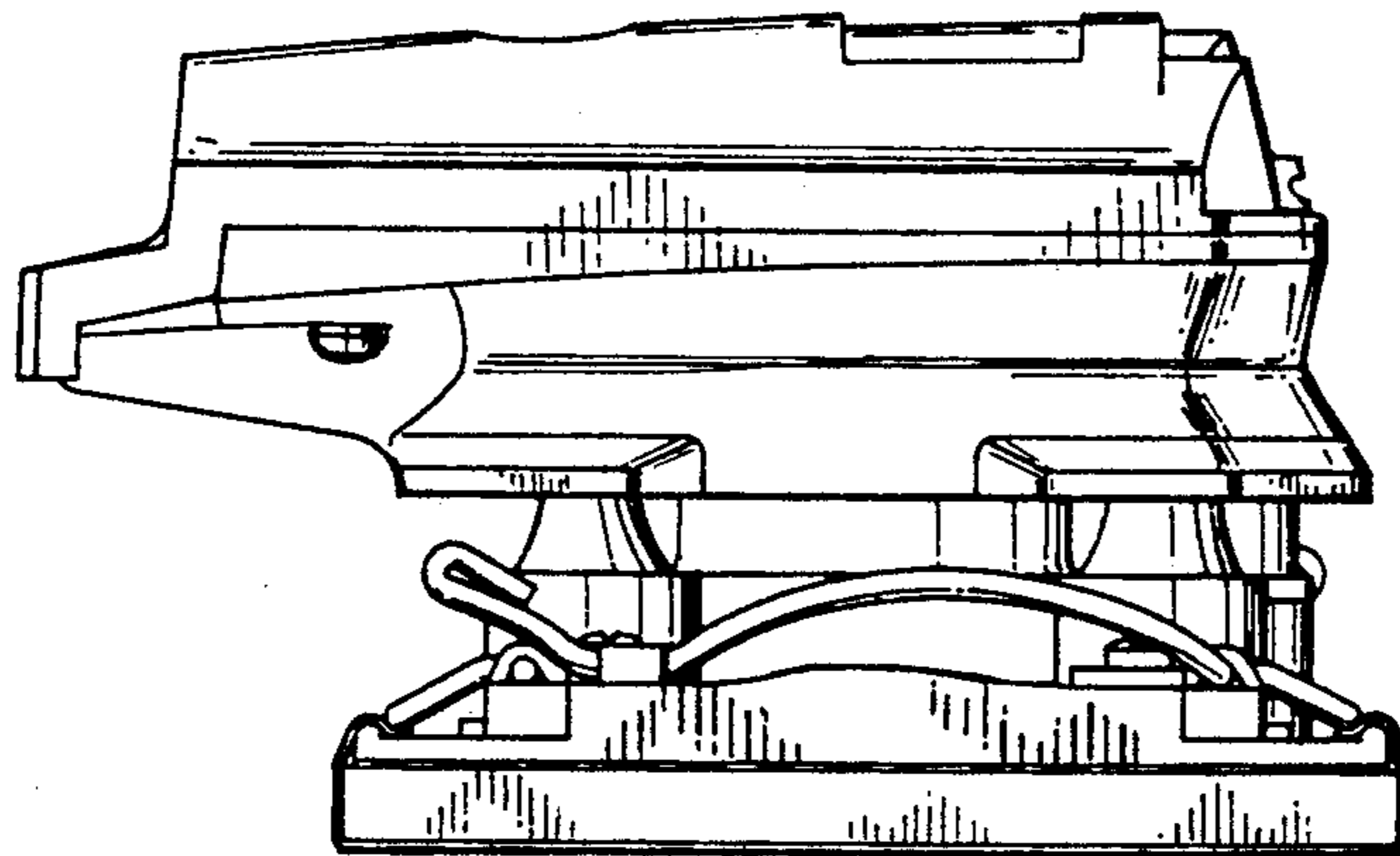


FIG. 7

