



US00D335617S

# United States Patent [19]

[11] Patent Number: **Des. 335,617**

Scholl

[45] Date of Patent: **\*\* May 18, 1993**

[54] CAN CRUSHER

4,561,351 12/1985 Ader ..... 100/902  
4,976,196 12/1990 Phillips et al. .... 100/902

[76] Inventor: **Wayne J. Scholl, 7003 Kelsey Rae Ct., Houston, Tex. 77069**

*Primary Examiner*—B. J. Bullock  
*Assistant Examiner*—Philip Hyder  
*Attorney, Agent, or Firm*—Norman B. Rainer

[\*\*] Term: **14 Years**

[21] Appl. No.: **695,797**

[57] **CLAIM**

[22] Filed: **May 6, 1991**

The ornamental design for a can crusher, as shown and described.

[52] U.S. Cl. .... **D8/51**

[58] Field of Search ..... **D8/14, 51; 100/902, 100/98, 233; D15/123**

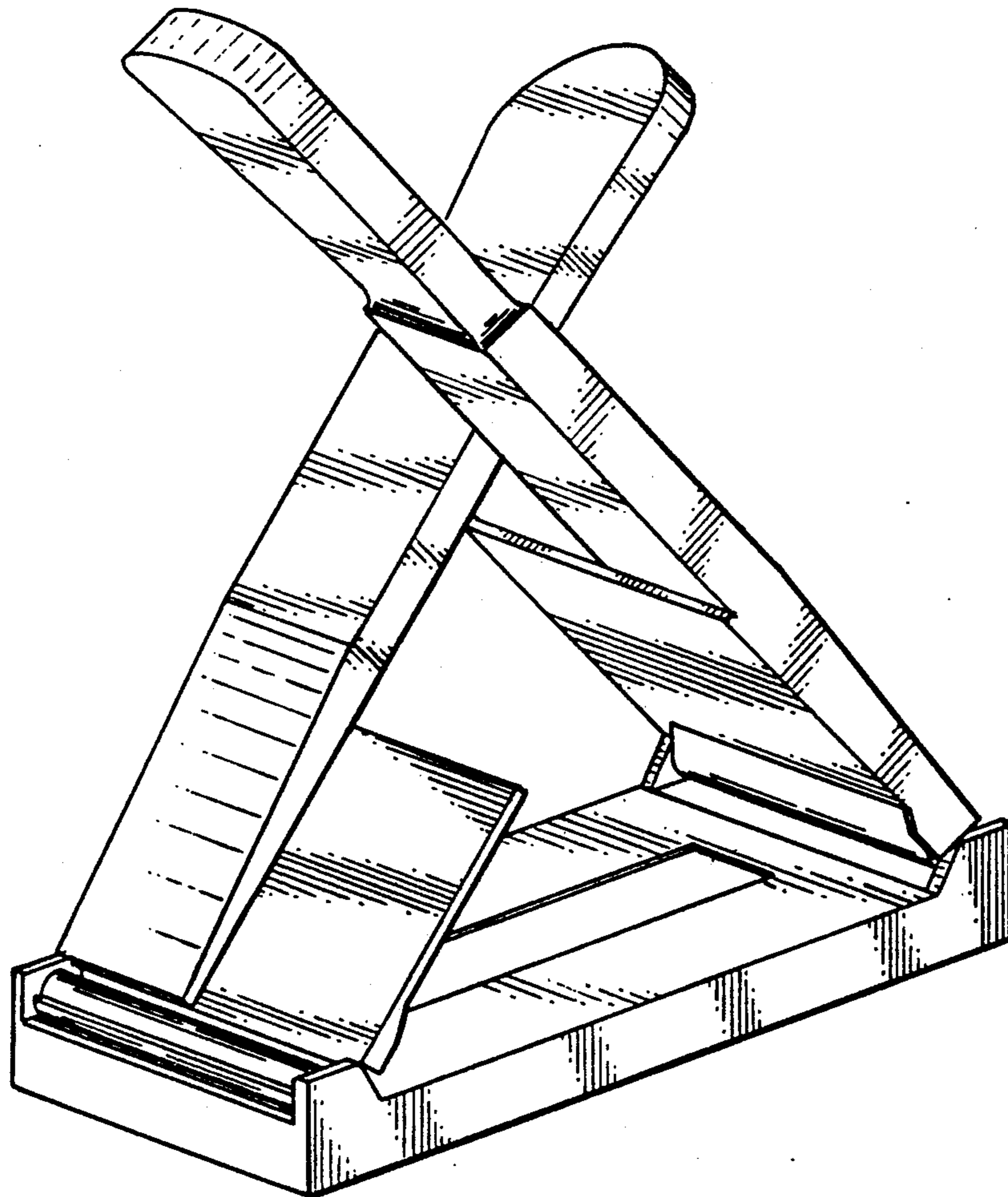
**DESCRIPTION**

[56] **References Cited**

**U.S. PATENT DOCUMENTS**

D. 268,761	4/1983	Brown	.....	D8/51
D. 272,539	2/1984	Salatka	.....	D15/123
D. 287,015	12/1986	Berry	.....	D15/123
3,804,004	4/1974	Krebs et al.	.....	100/902
3,980,015	9/1976	Woodard	.....	100/902
4,333,397	6/1982	Modes	.....	100/902
4,393,765	7/1983	Accettura et al.	.....	100/902
4,459,905	7/1984	Wilson	.....	100/902

FIG. 1 is a perspective view of a can crusher, showing my new design;  
FIG. 2 is a front elevational view thereof, with the arms in an upright position;  
FIG. 3 is a side elevational view of FIG. 2, the opposite side appearing the same;  
FIG. 4 is an enlarged top plan view of FIG. 2;  
FIG. 5 is a front elevational view thereof, with the arms lowered;  
FIG. 6 is a bottom plan view of FIG. 5; and,  
FIG. 7 is a top plan view of FIG. 5.



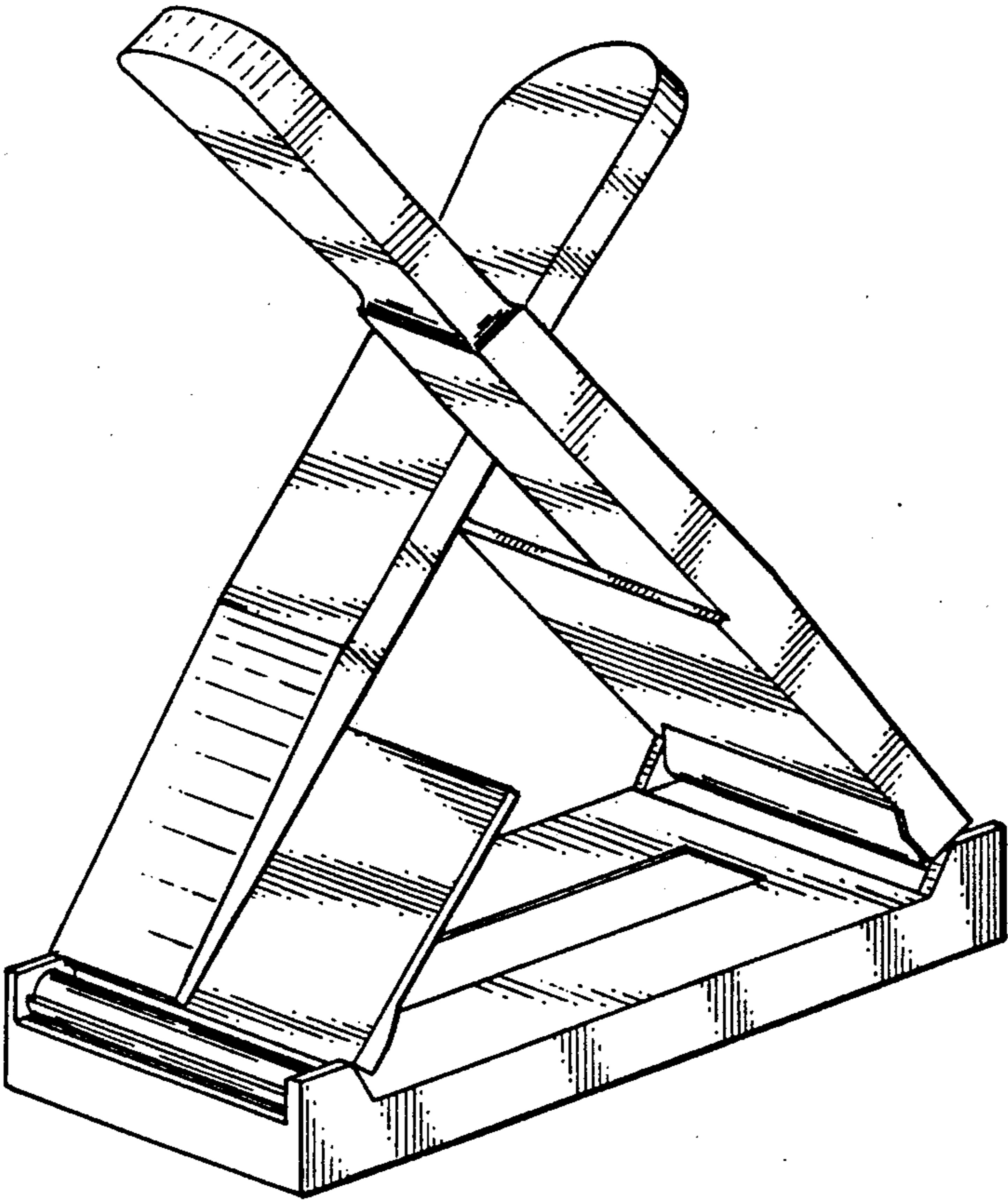


FIG. 1

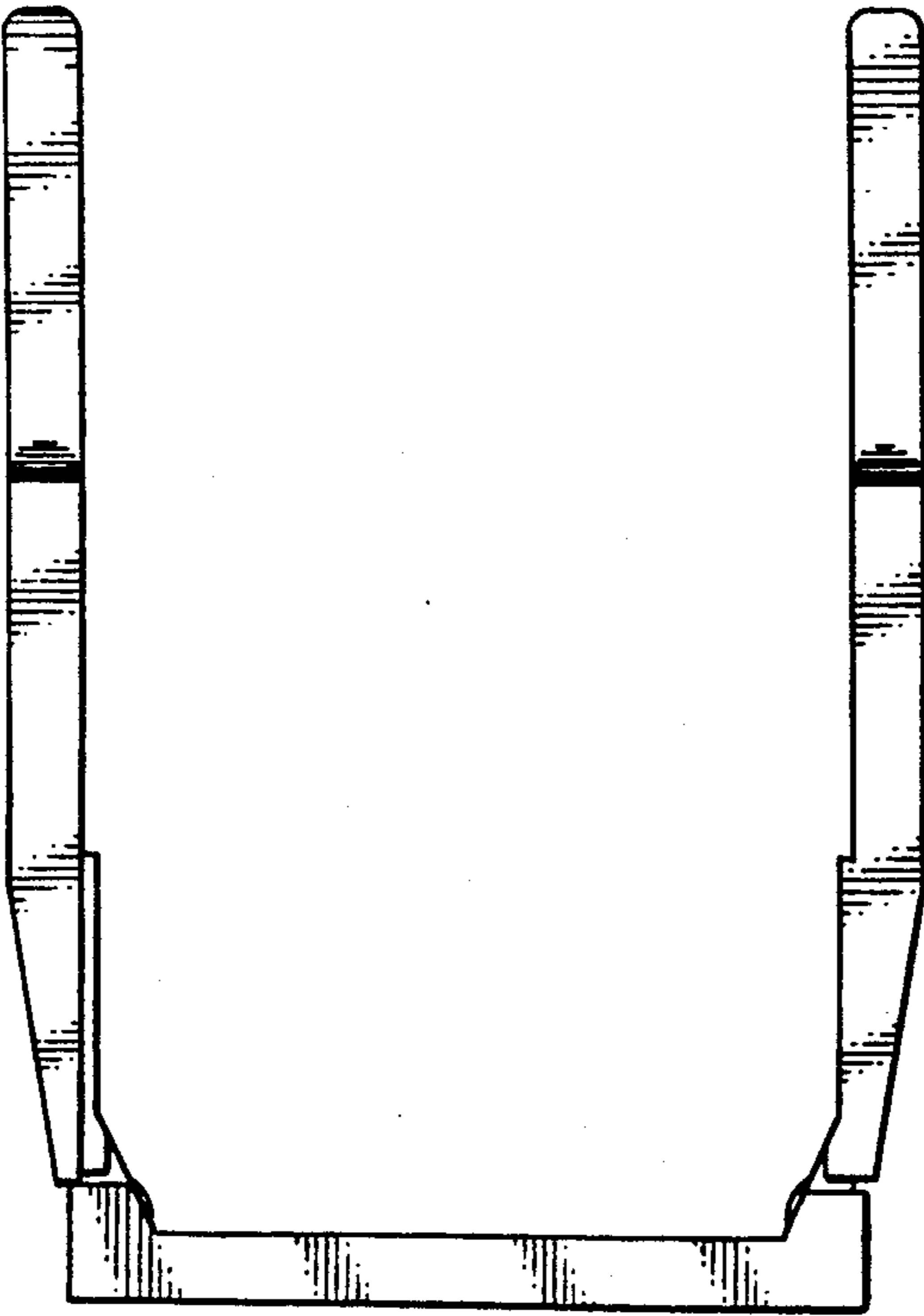


FIG. 2

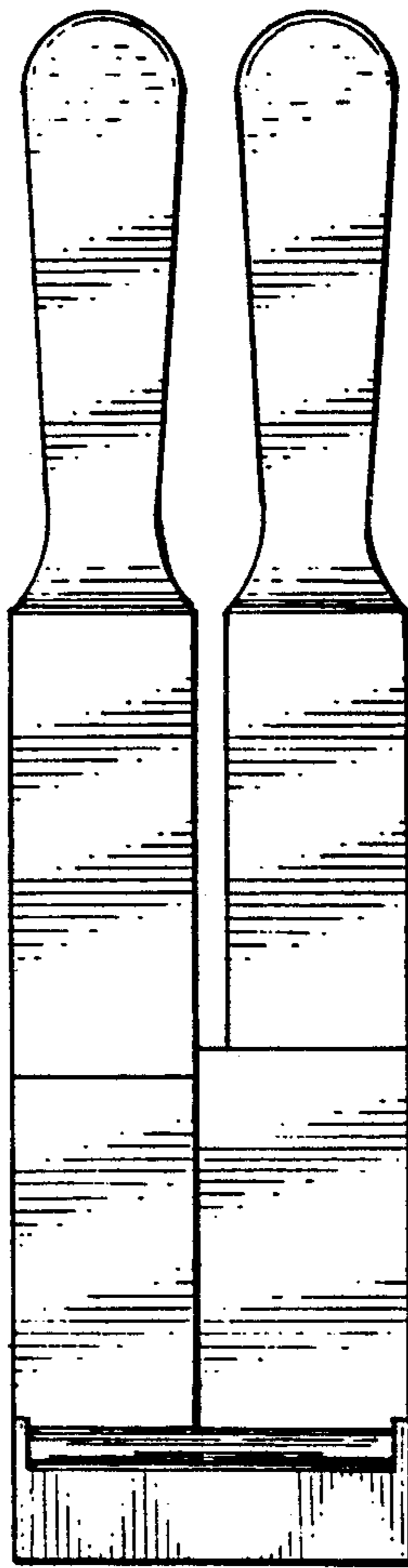


FIG. 3

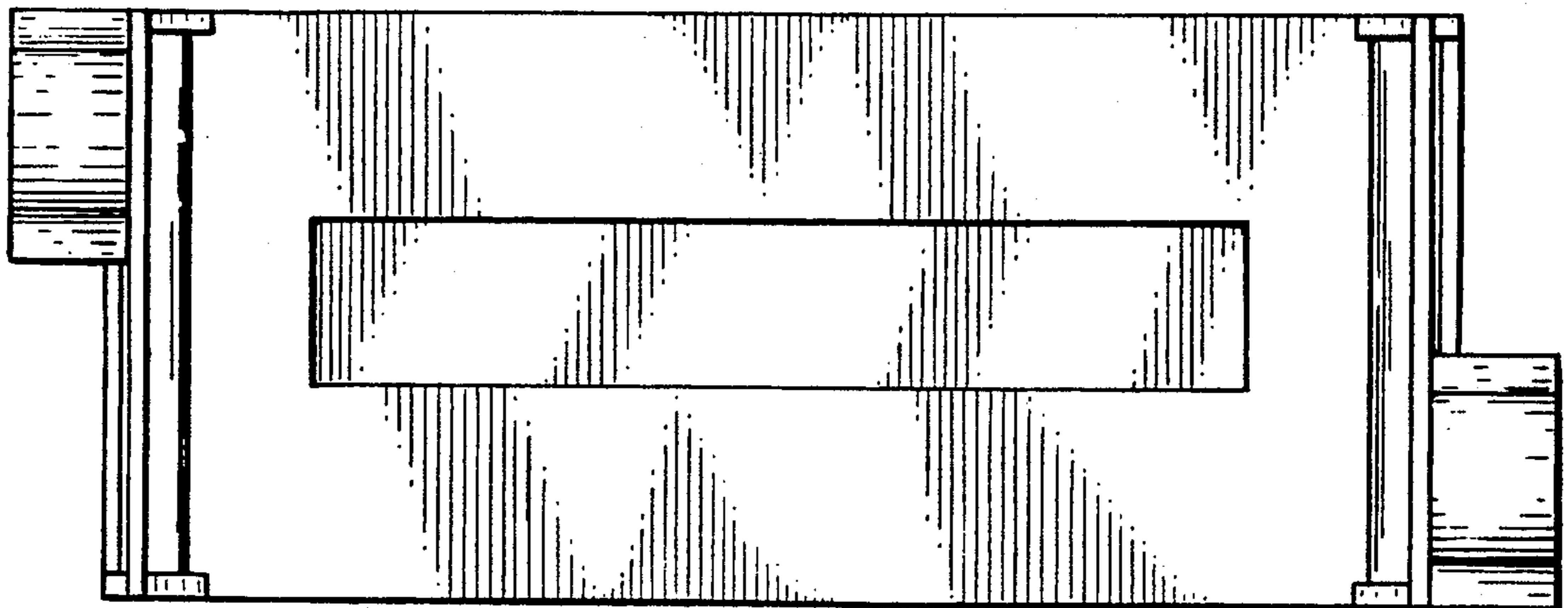


FIG. 4

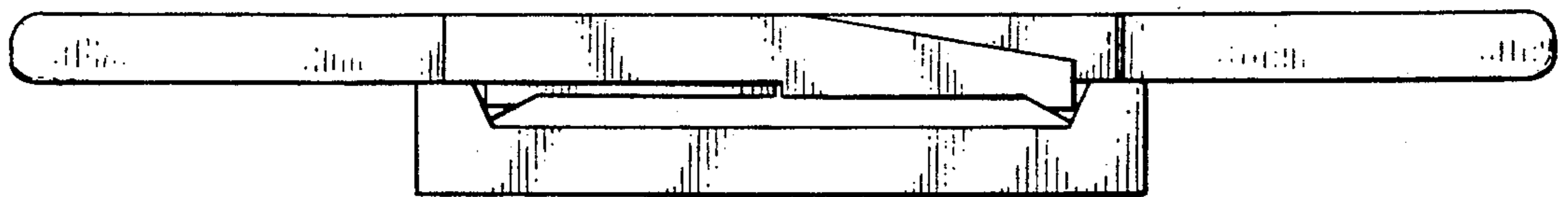


FIG. 5

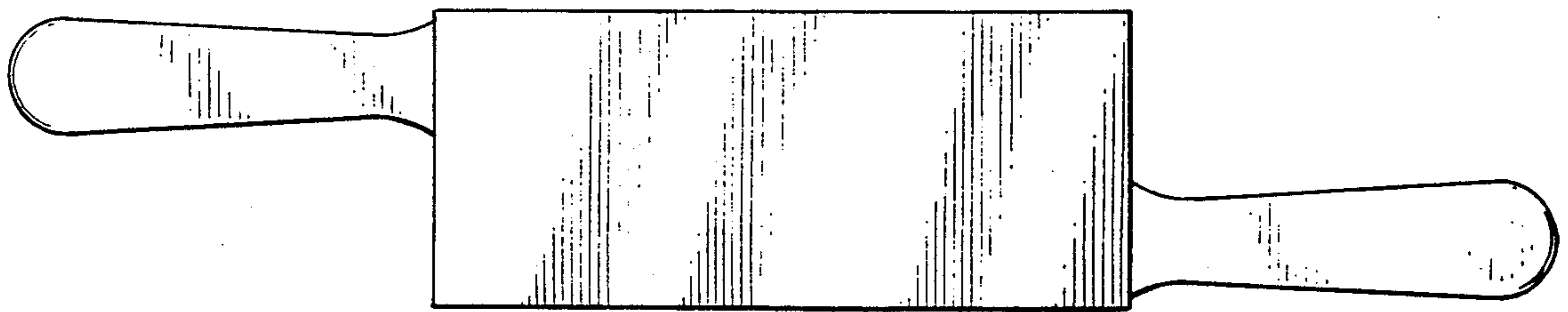


FIG. 6

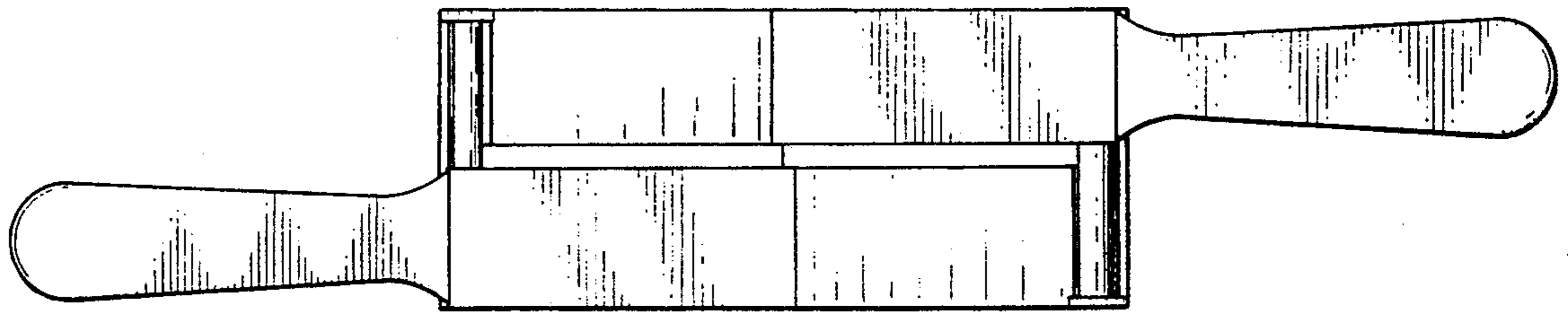


FIG. 7