



US00D335615S

United States Patent [19]

[11] Patent Number: **Des. 335,615**

Kannukkaden

[45] Date of Patent: **** May 18, 1993**

[54] **COCONUT GRATER**

4,383,479 5/1983 Hill .
4,441,410 4/1984 Thompson .

[76] Inventor: **Jos J. Kannukkaden**, 12 Kilgore Dr.,
Mableton, Ga. 30059

Primary Examiner—Terry A. Pfeffer
Attorney, Agent, or Firm—Terry M. Gernstein

[**] Term: **14 Years**

[57] **CLAIM**

[21] Appl. No.: **587,426**

The ornamental design for a coconut grater, as shown and described.

[22] Filed: **Sep. 25, 1990**

[52] U.S. Cl. **D7/678**

DESCRIPTION

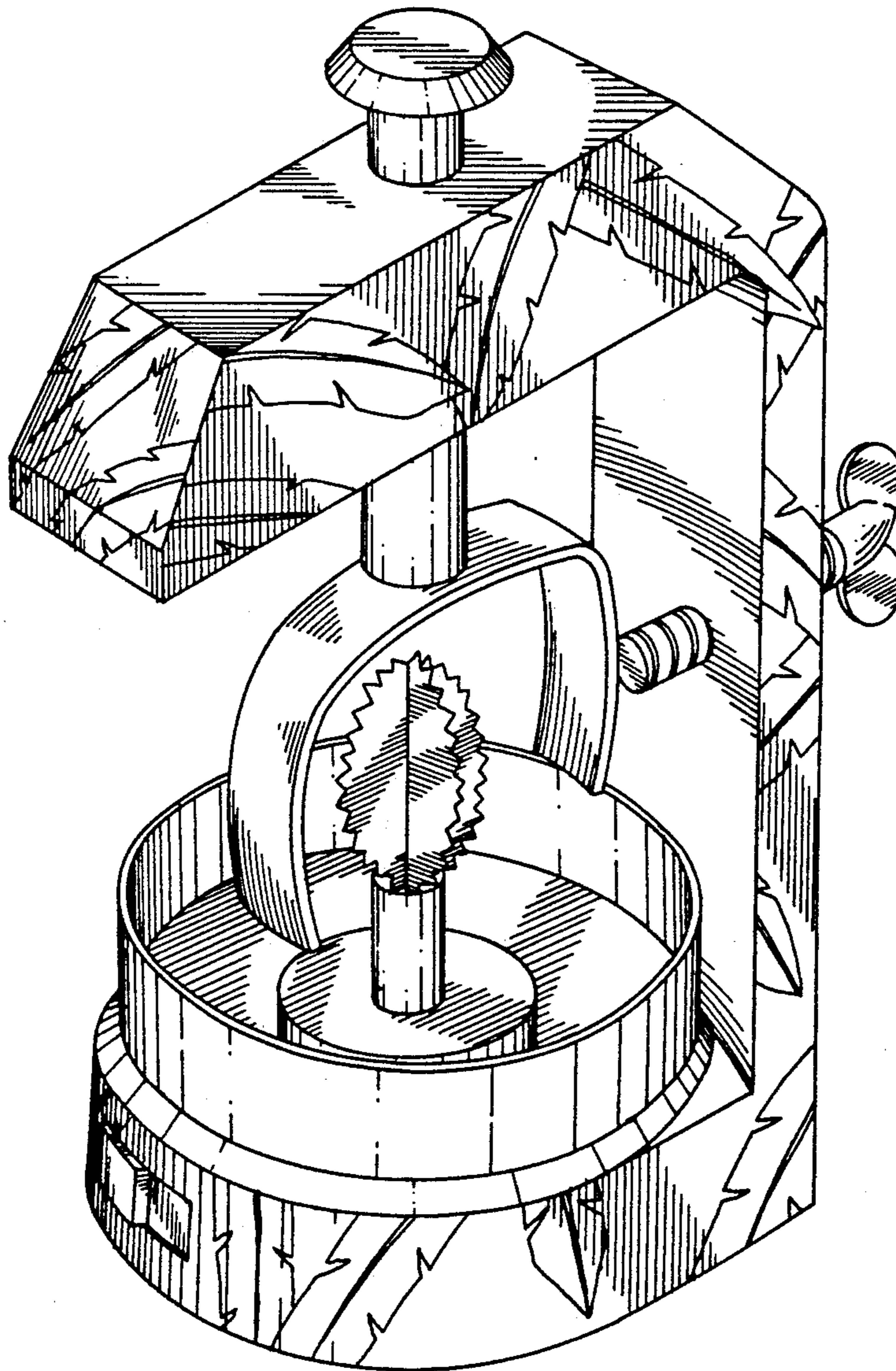
[58] Field of Search **D7/381, 385, 669, 678;**
30/114; 241/273.1-273.3; 99/537-543, 568,
572, 584, 588

FIG. 1 is a perspective view of the coconut grater showing my new design;
FIG. 2 is a front elevational view thereof;
FIG. 3 is a rear elevational view thereof;
FIG. 4 is a side elevational view thereof, the side opposite being a mirror image of the side shown in FIG. 4;
FIG. 5 is a top plan view thereof; and,
FIG. 6 is a bottom view thereof.

[56] **References Cited**

U.S. PATENT DOCUMENTS

2,639,748 5/1953 Peel 241/273.1
4,350,088 9/1982 Rubio .



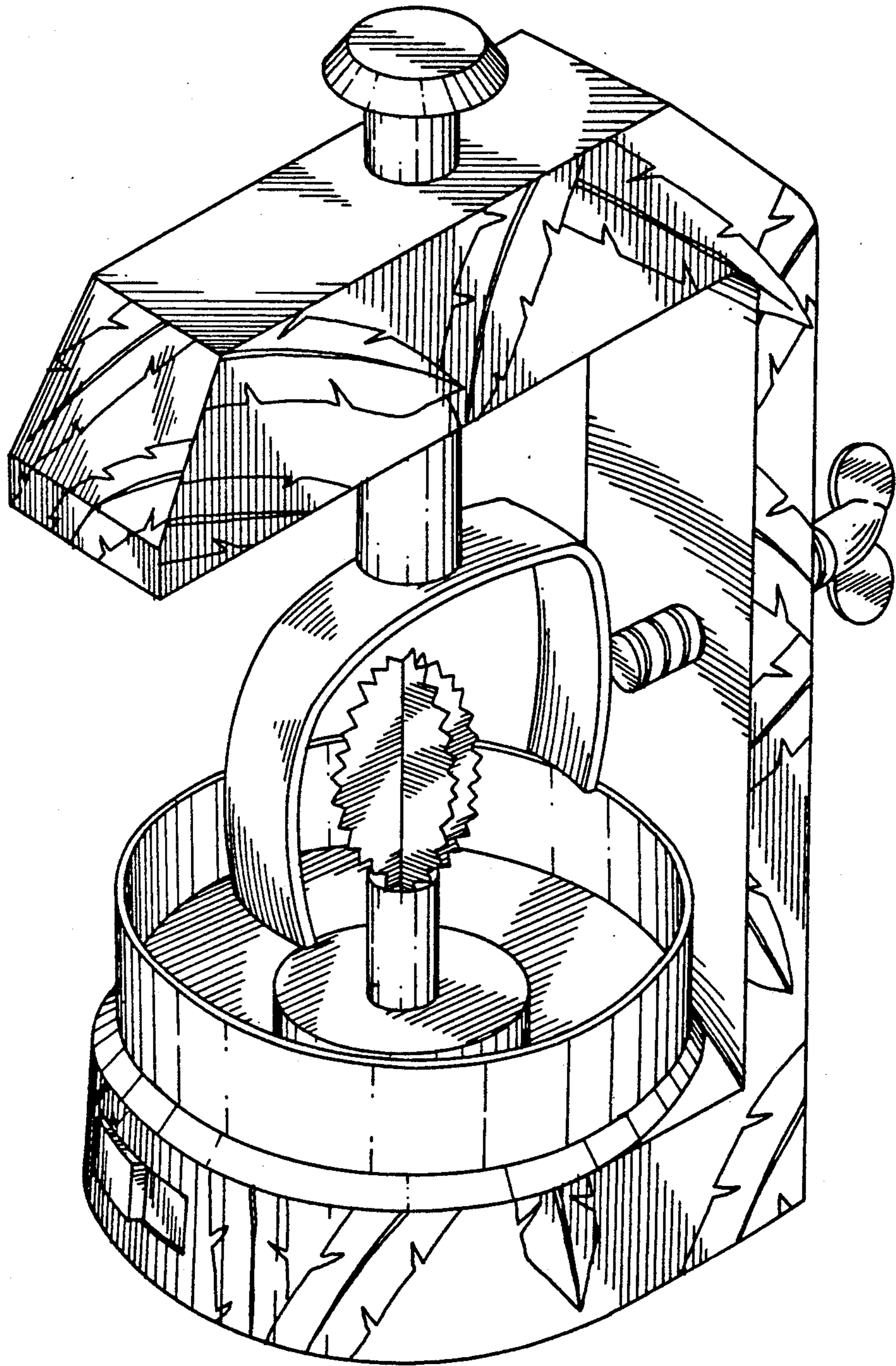


FIG. 1.

FIG. 4.

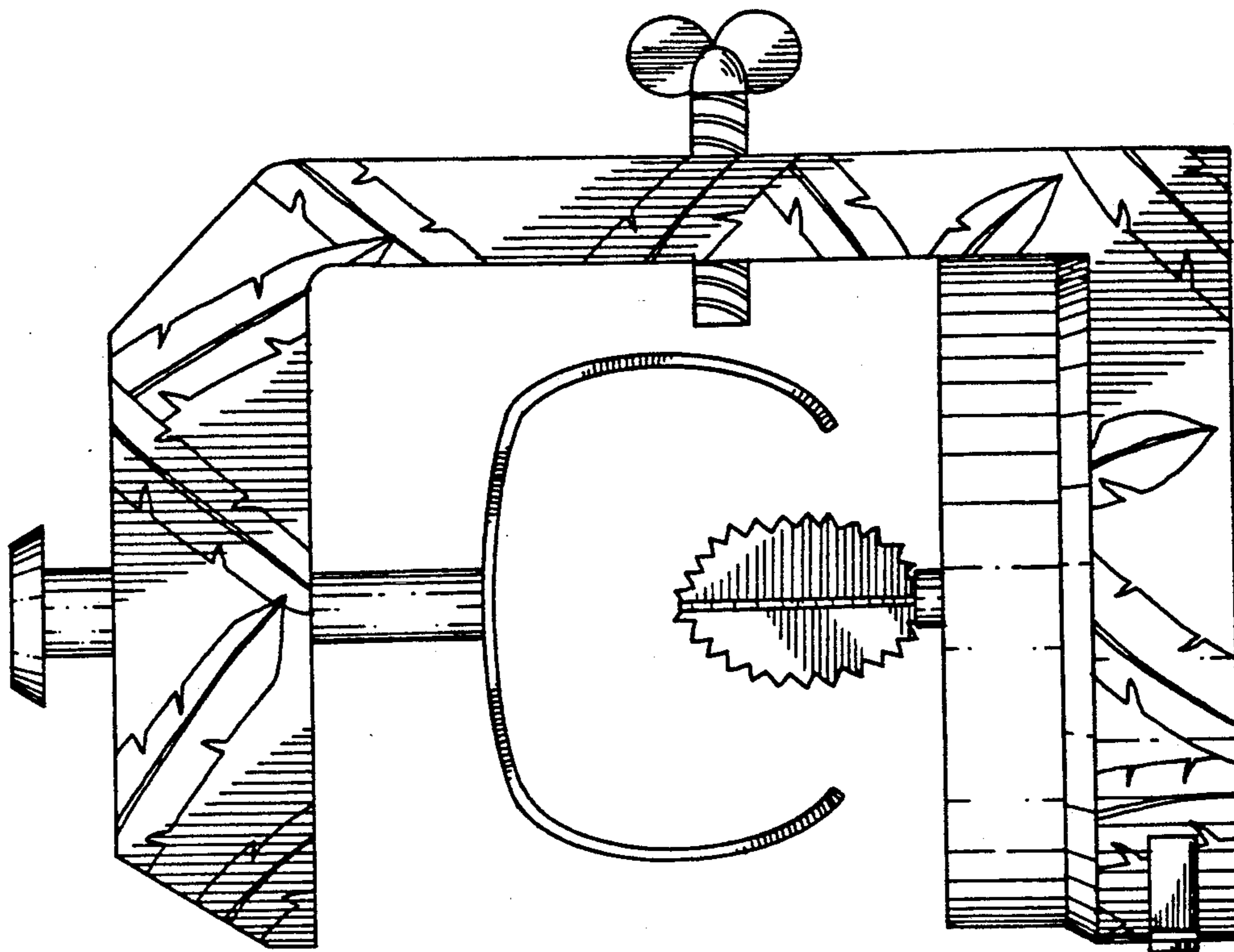
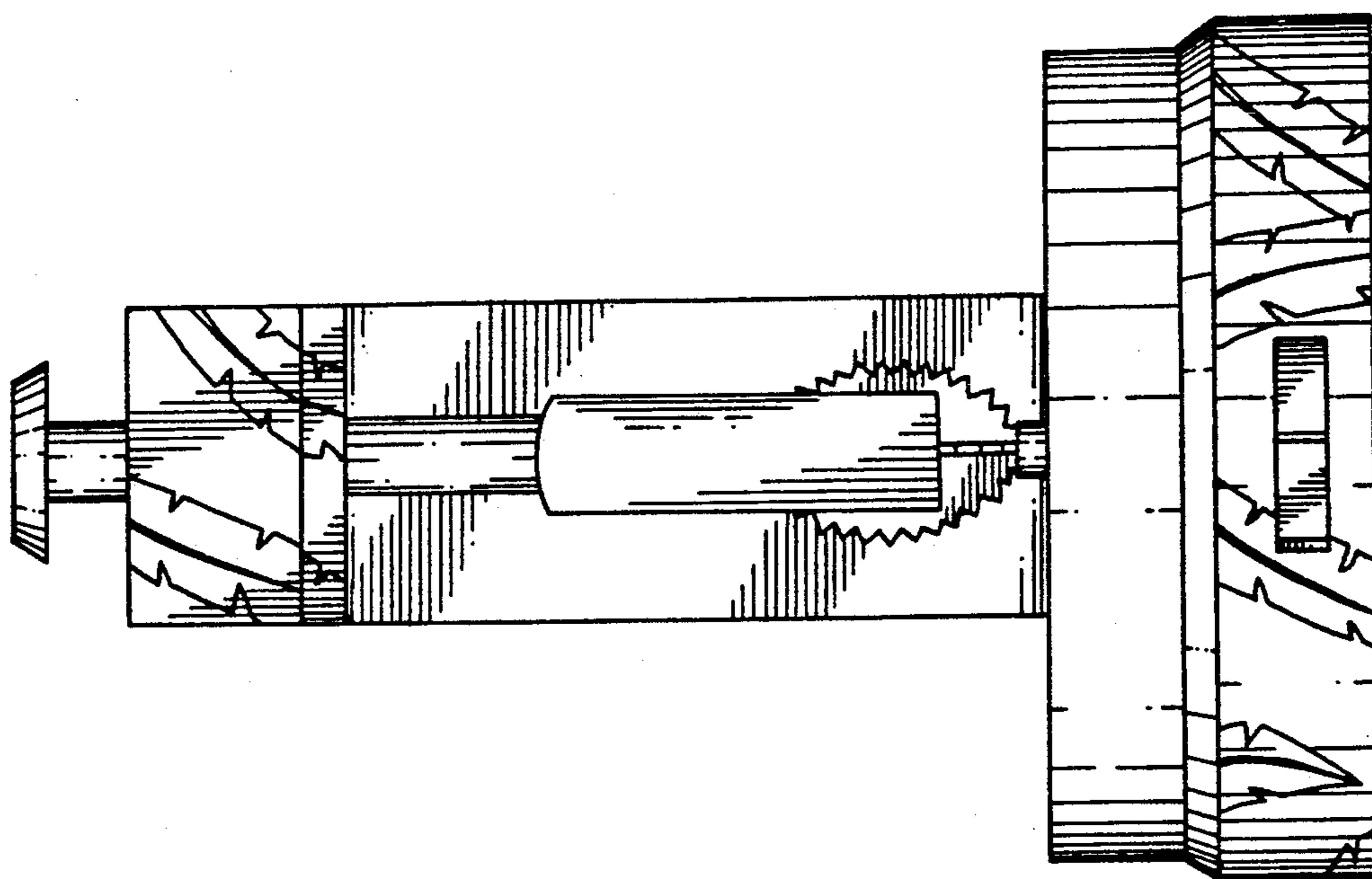


FIG. 2.



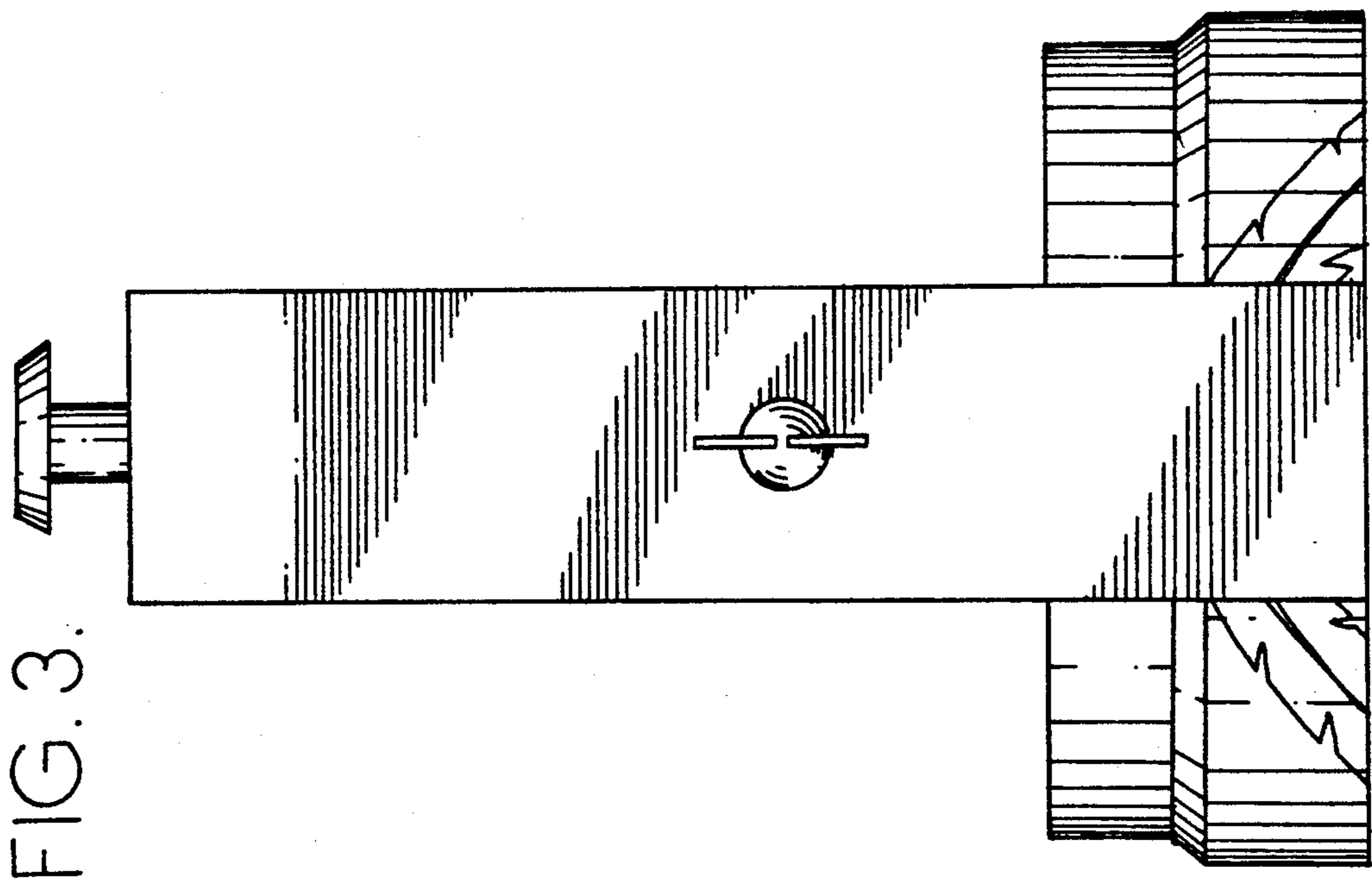


FIG. 3.

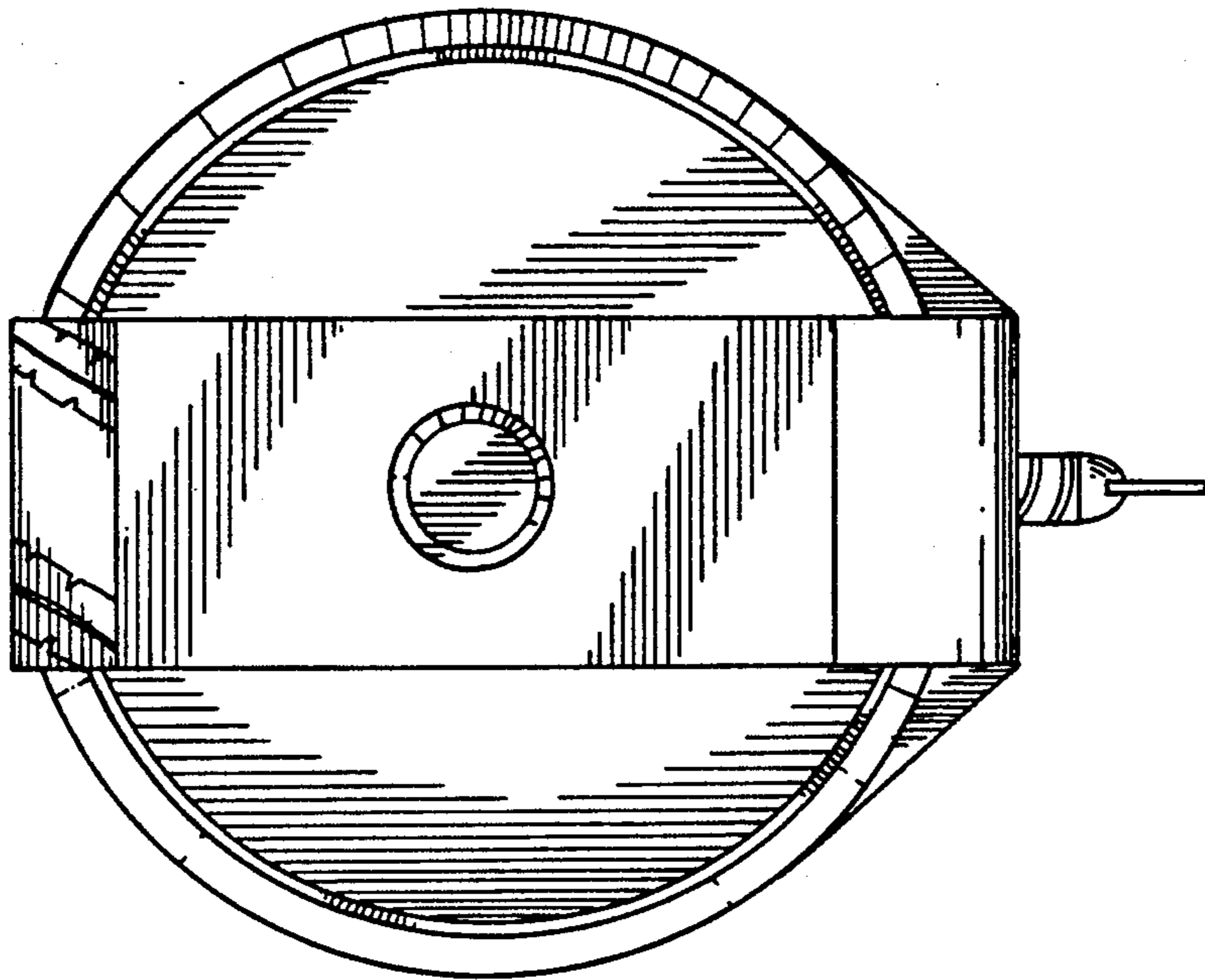


FIG. 5.

FIG. 6.

