



US00D335612S

# United States Patent [19]

Osland, Jr.

[11] Patent Number: Des. 335,612

[45] Date of Patent: \*\* May 18, 1993

[54] COMBINED CUP AND GLASS HOLDER

[76] Inventor: John A. Osland, Jr., P.O. Box 565, Freeland, Wash. 98249

[\*\*] Term: 14 Years

[21] Appl. No.: 746,520

[22] Filed: Aug. 16, 1991

[52] U.S. Cl. .... D7/616

[58] Field of Search ..... D7/616-618; D9/456; D6/567, 569, 570; 211/71, 74, 75, 41, 126; 220/737; 248/300, 311.2, 312.1, 313

[56] References Cited

### U.S. PATENT DOCUMENTS

- D. 207,423 4/1967 Pick .
- D. 259,699 6/1981 Hughes ..... D8/366
- 929,519 7/1909 True .
- 1,303,299 5/1919 Hahl .
- 1,422,676 7/1922 Czarnecki .
- 2,019,801 11/1935 Songer .

- 2,743,021 4/1956 Glenn .
- 2,864,509 12/1958 Watral .
- 3,442,395 5/1969 Taylor .
- 4,947,991 8/1990 Snell .

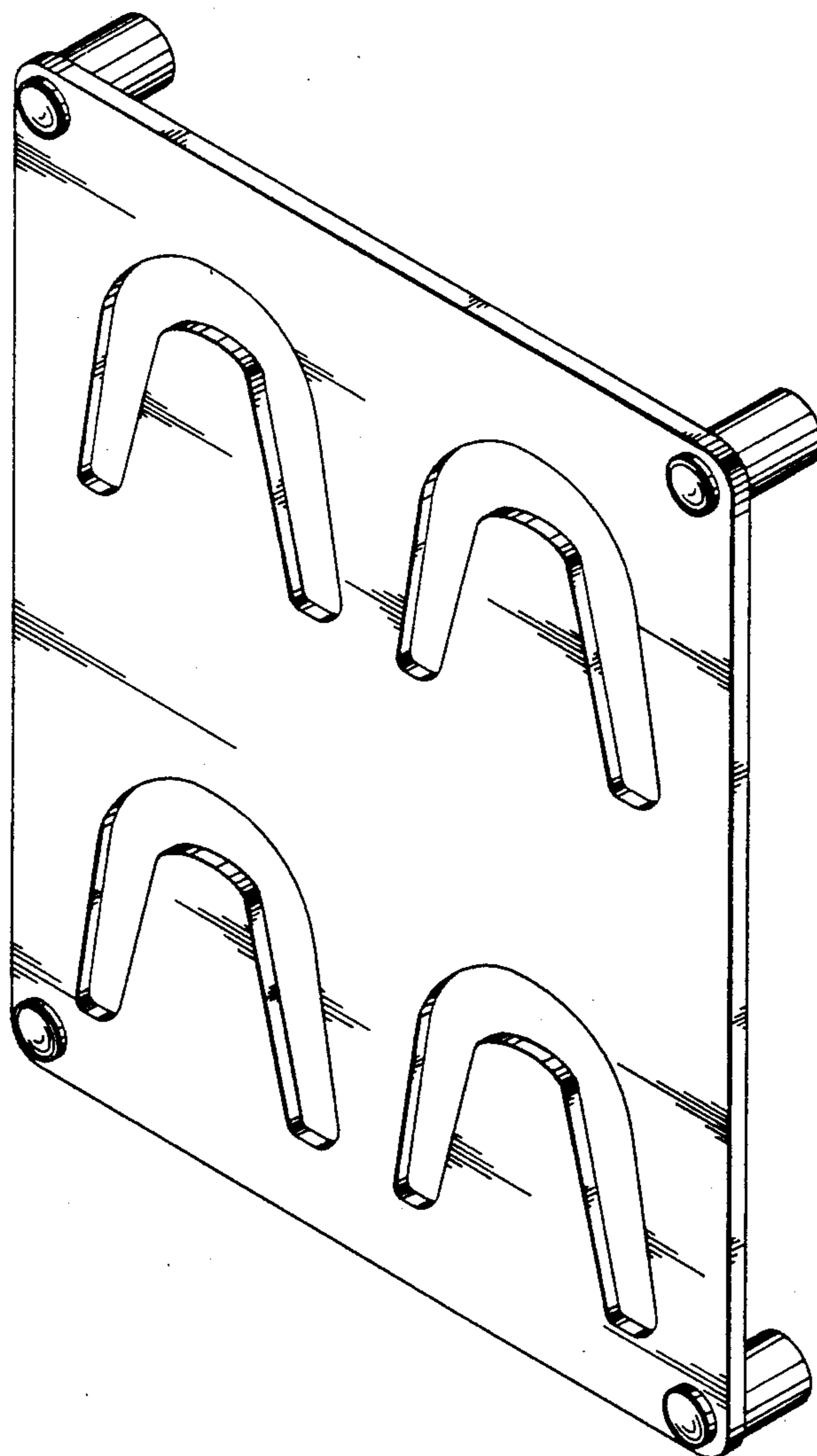
Primary Examiner—Terry A. Pfeffer  
Attorney, Agent, or Firm—Christensen, O'Connor, Johnson & Kindness

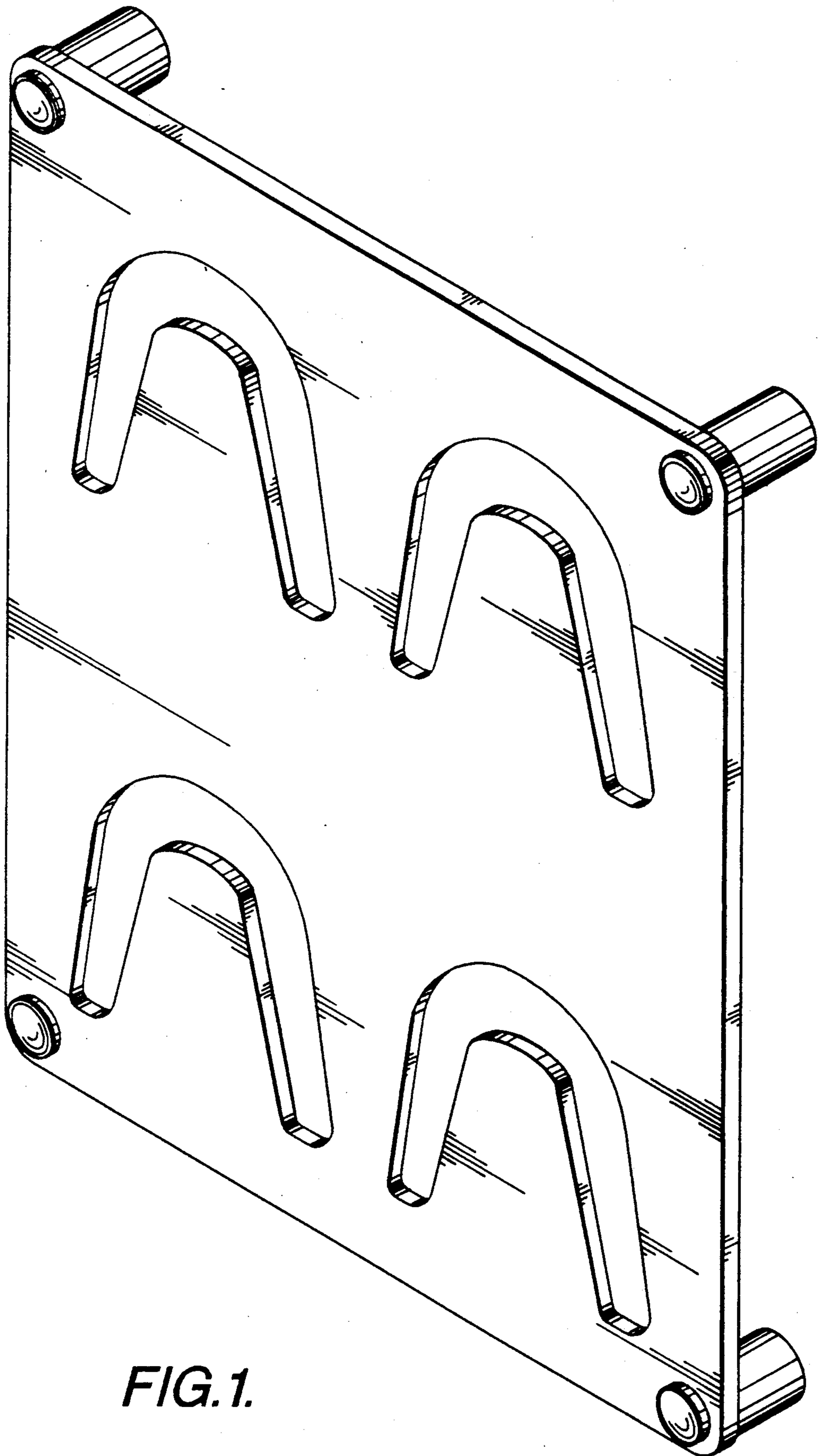
### [57] CLAIM

An ornamental design for a combined cup and glass holder, as shown and described.

### DESCRIPTION

FIG. 1 is a perspective view of the combined cup and glass holder showing my new design; FIG. 2 is a top plan view thereof; FIG. 3 is a bottom plan view thereof; FIG. 4 is a front elevational view thereof, the opposite side being identical; and, FIG. 5 is a right side elevational view thereof, the opposite side being identical.





**FIG. 1.**

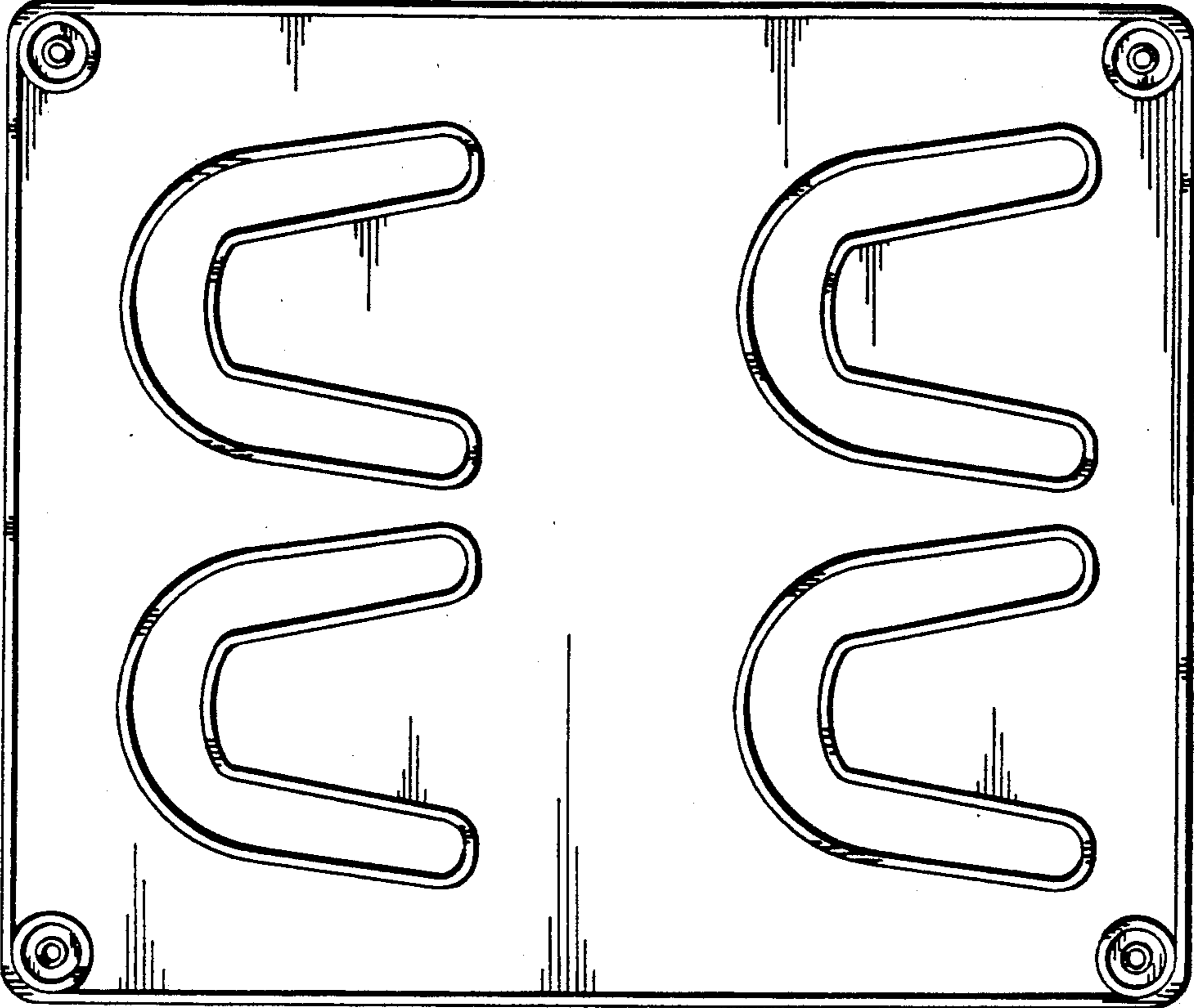


FIG.3.

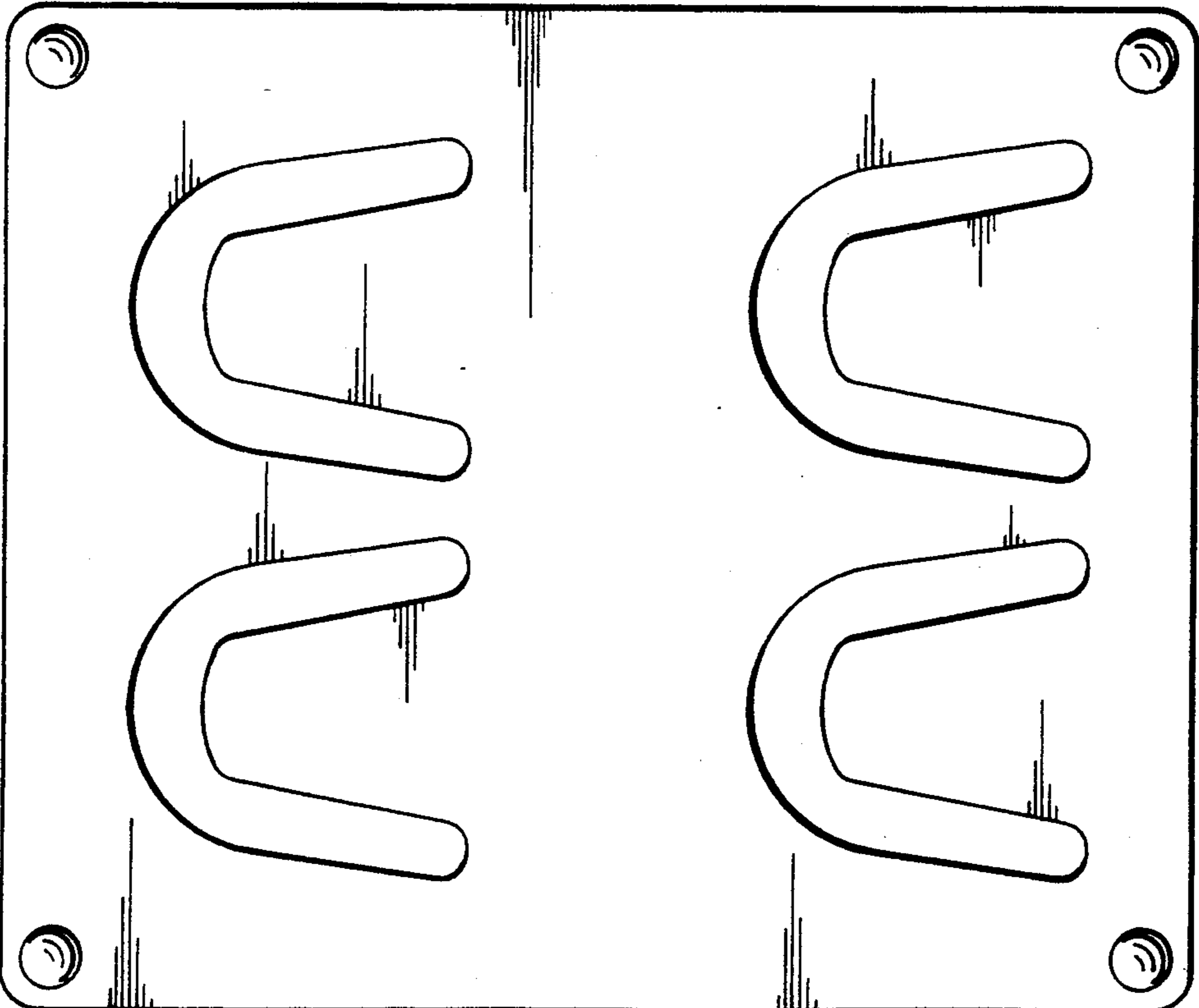


FIG.2.



FIG. 5.

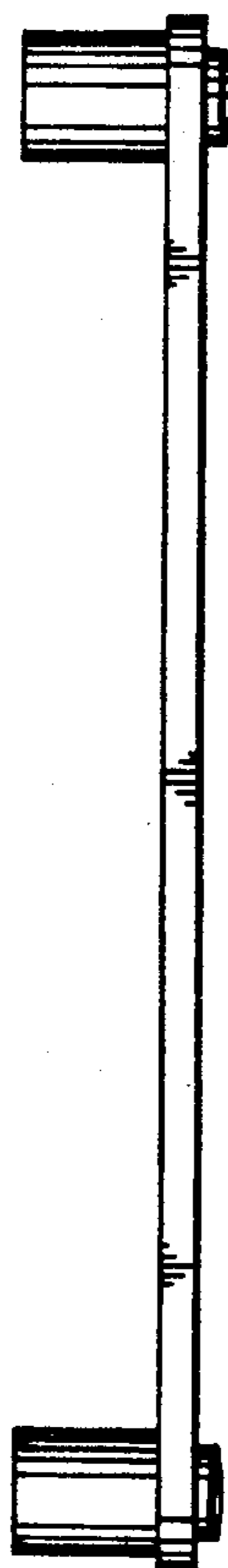


FIG. 4.