



US00D335604S

United States Patent [19]

[11] Patent Number: **Des. 335,604**

Lui et al.

[45] Date of Patent: **** May 18, 1993**

[54] ROLLER BLIND	1,920,185	8/1933	Carr, Jr.	160/370.2 X
[75] Inventors: Tat-Nin Lui, Chaiwan; Chi-Wai Ko, Kowloon, both of Hong Kong	3,362,053	1/1968	Land	D6/580 X
	4,355,773	6/1982	Masi	160/23.1
	4,428,412	1/1984	Toro	160/23.1

[73] Assignee: **Choon Nang Electrical Appliance Manufactory Limited, Aberdeen, Hong Kong**

Primary Examiner—Alan P. Douglas
Assistant Examiner—Monica A. Hannon
Attorney, Agent, or Firm—Majestic, Parsons, Siebert & Hsue

[**] Term: **14 Years**

[57] CLAIM

[21] Appl. No.: **483,947**

The ornamental design for a roller blind, as shown and described.

[22] Filed: **Feb. 23, 1990**

[30] Foreign Application Priority Data

Sep. 12, 1989 [GB] United Kingdom	2000971
[52] U.S. Cl.	D6/575; D6/576
[58] Field of Search	D6/575, 580; 160/23.1, 160/370.2

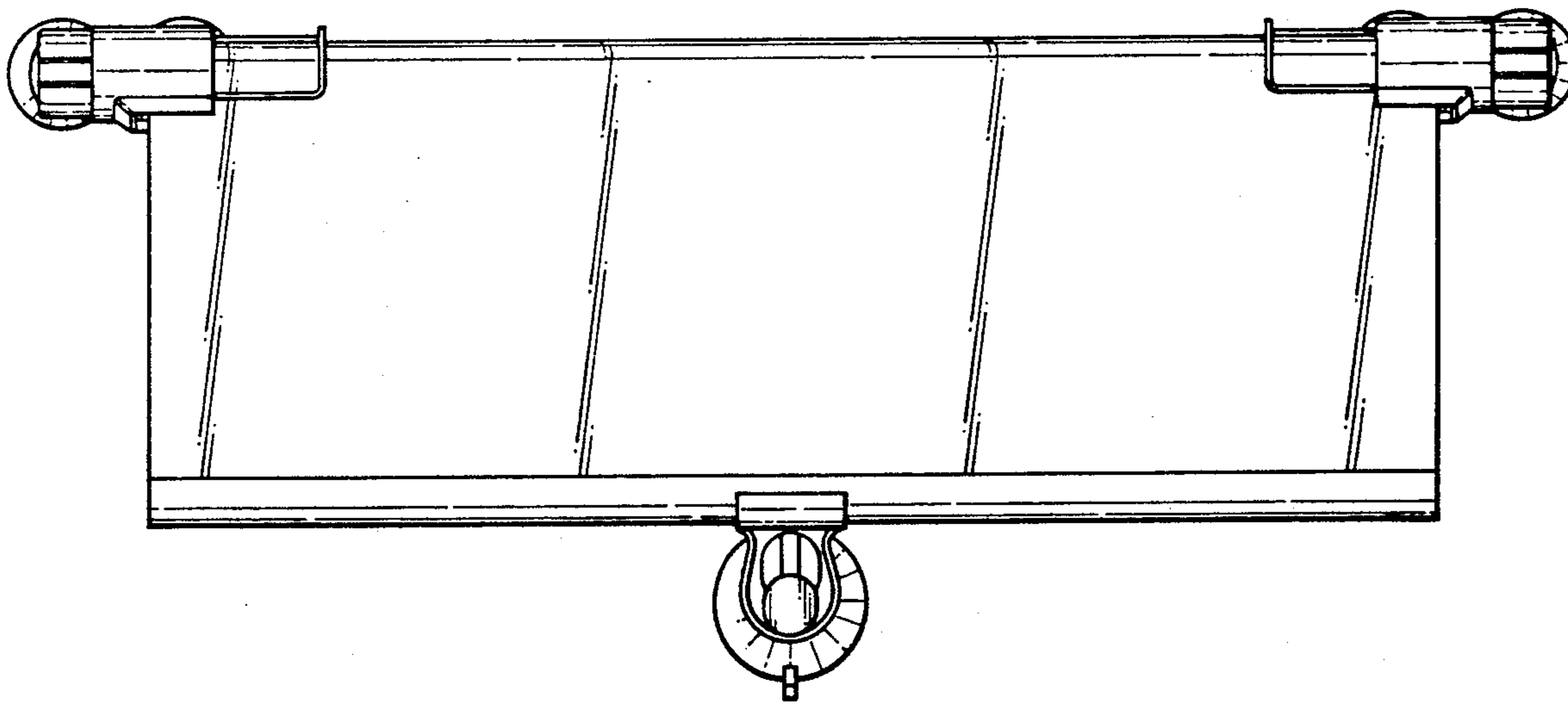
DESCRIPTION

FIG. 1 is a front elevational view of a roller blind showing our new design;
 FIG. 2 is a left side view elevational view thereof;
 FIG. 3 is a right side view elevational view thereof;
 FIG. 4 is a rear elevational view of part of the roller blind in a closed position;
 FIG. 5 is a top plan view of part of the roller blind as shown in FIG. 4; and,
 FIG. 6 is a bottom plan view of part of the roller blind as shown in FIG. 4.

[56] References Cited

U.S. PATENT DOCUMENTS

437,436	9/1890	Iles	160/23.1 X
441,994	12/1890	Watts	160/23.1
1,342,347	6/1920	Nash	160/23.1



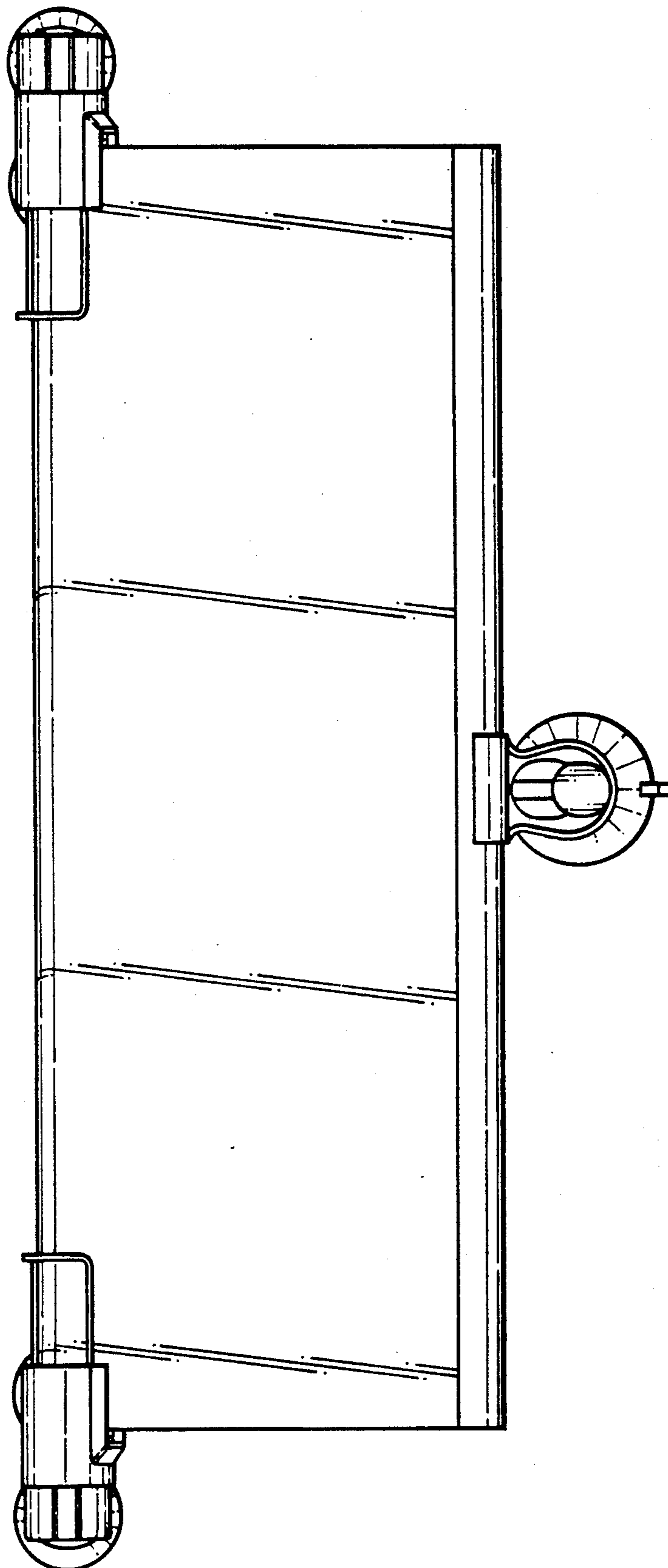


FIG. 1

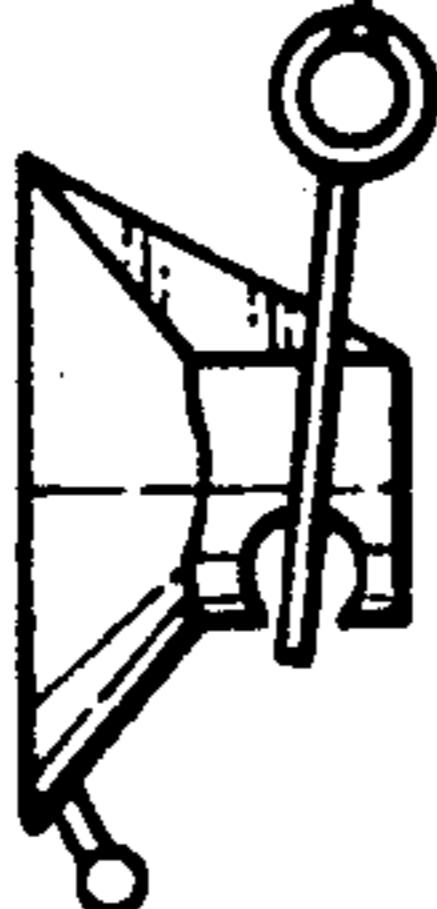
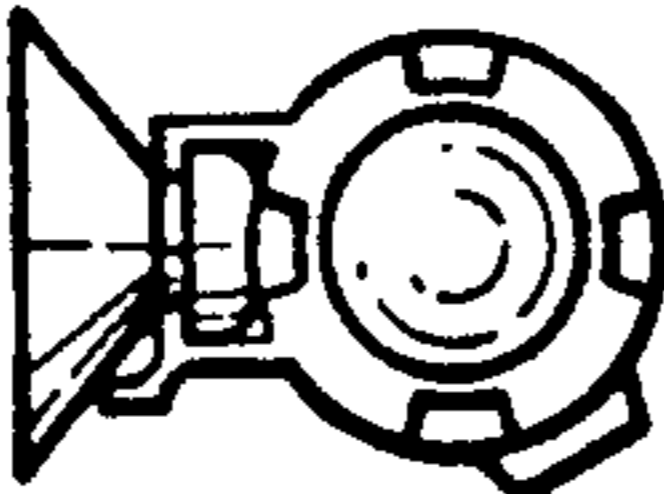


FIG. 2

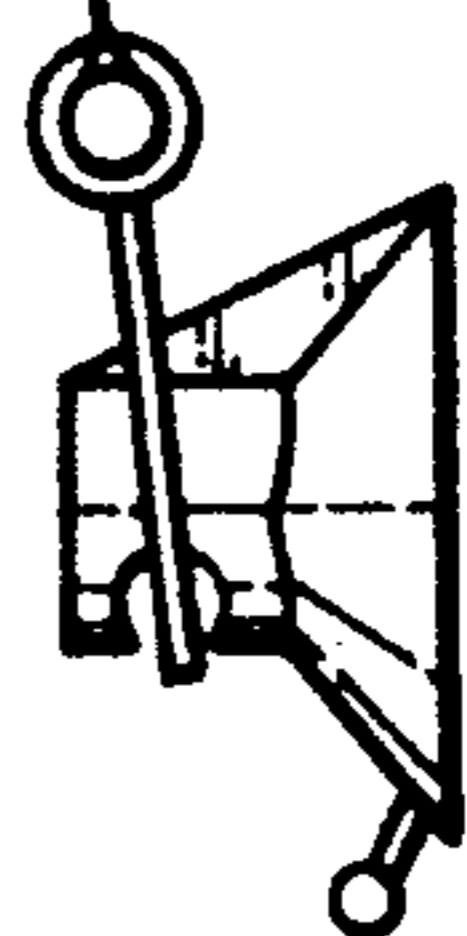
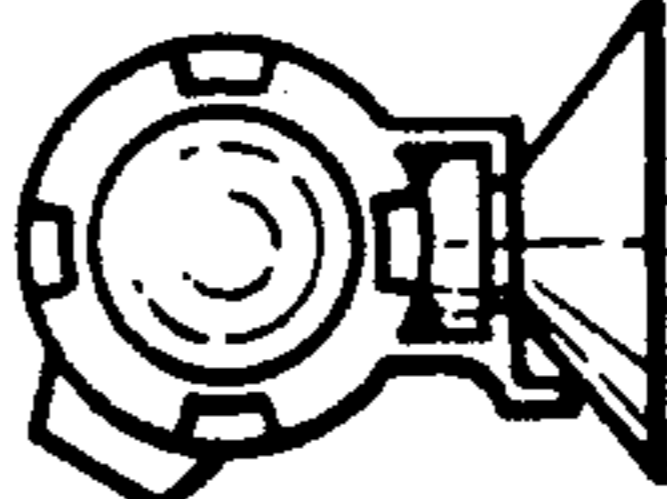


FIG. 3

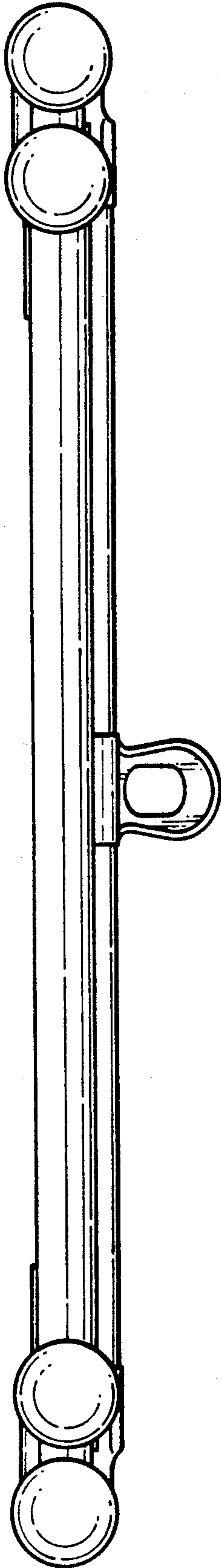


FIG. 4

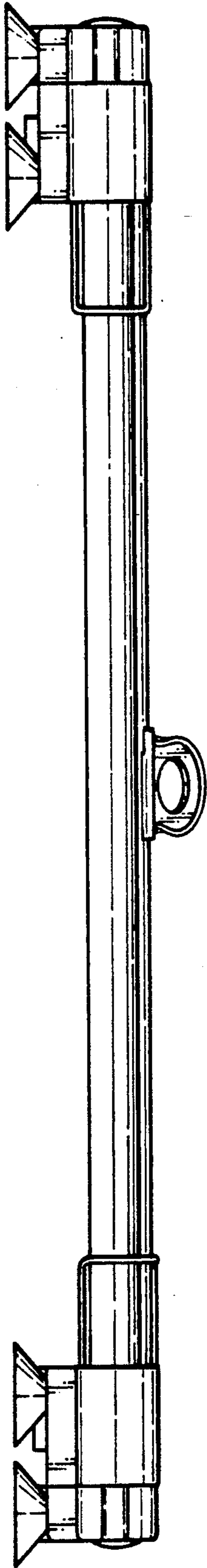


FIG. 5

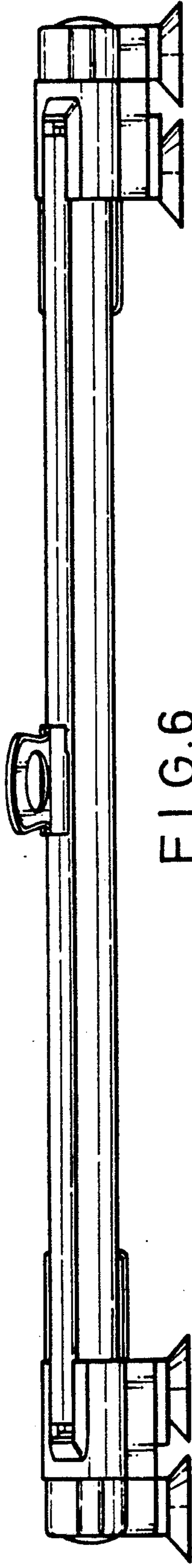


FIG. 6