



US00D335603S

United States Patent [19]

[11] Patent Number: **Des. 335,603**

Arenson

[45] Date of Patent: **** May 18, 1993**

[54] **DISPLAY RACK**

[75] Inventor: **Herbert Arenson, Mission Woods, Kans.**

[73] Assignee: **The Gerson Company, Mission, Kans.**

[**] Term: **14 Years**

[21] Appl. No.: **771,998**

[22] Filed: **Oct. 7, 1991**

[52] U.S. Cl. **D6/570**

[58] Field of Search **D6/512, 553, 567, 569, D6/570, 571, 403; 211/74, 75, 71, 88; 248/300, 309.1, 309.2**

D. 245,652 9/1977 Crysedale D6/553
D. 257,709 12/1980 Lewis D6/570 X
D. 270,122 8/1983 Stein D6/553
4,378,889 4/1983 Lebowitz 211/75 X

Primary Examiner—Brian N. Vinson
Attorney, Agent, or Firm—Hovey, Williams, Timmons & Collins

[57] **CLAIM**

The ornamental design for a display rack, as shown and described.

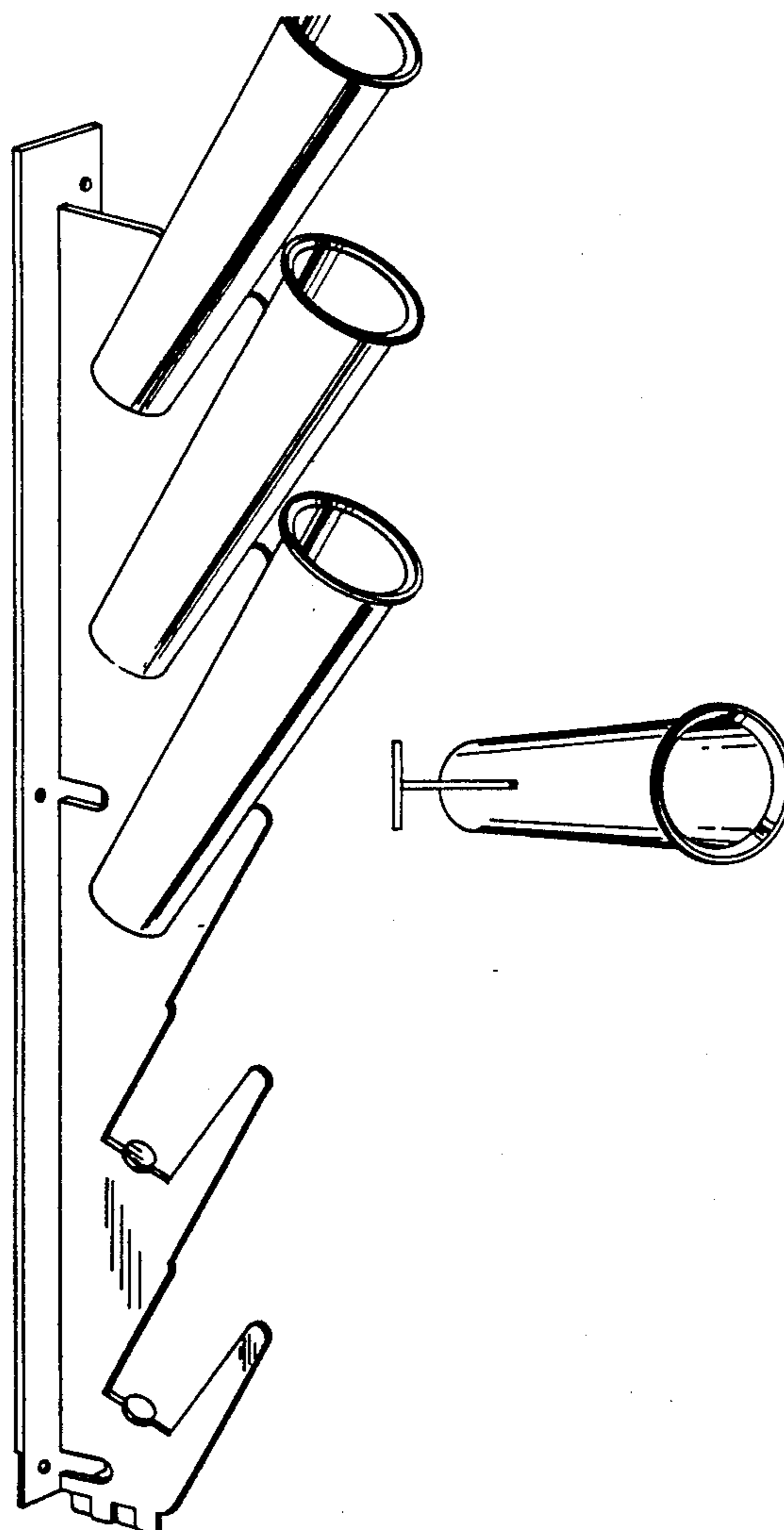
DESCRIPTION

FIG. 1 is a top, front, and left side perspective view of a display rack showing my new design; FIG. 2 is a left side elevational view thereof, the right side being a mirror image of that shown; FIG. 3 is a front elevational view thereof; FIG. 4 is a rear elevational view thereof; FIG. 5 is a top plan view thereof, and, FIG. 6 is a bottom plan view thereof.

[56] **References Cited**

U.S. PATENT DOCUMENTS

D. 201,246 6/1965 Spangle D6/553
D. 211,067 5/1968 Leblanc et al. D6/553
D. 232,676 9/1974 Oliver D6/553



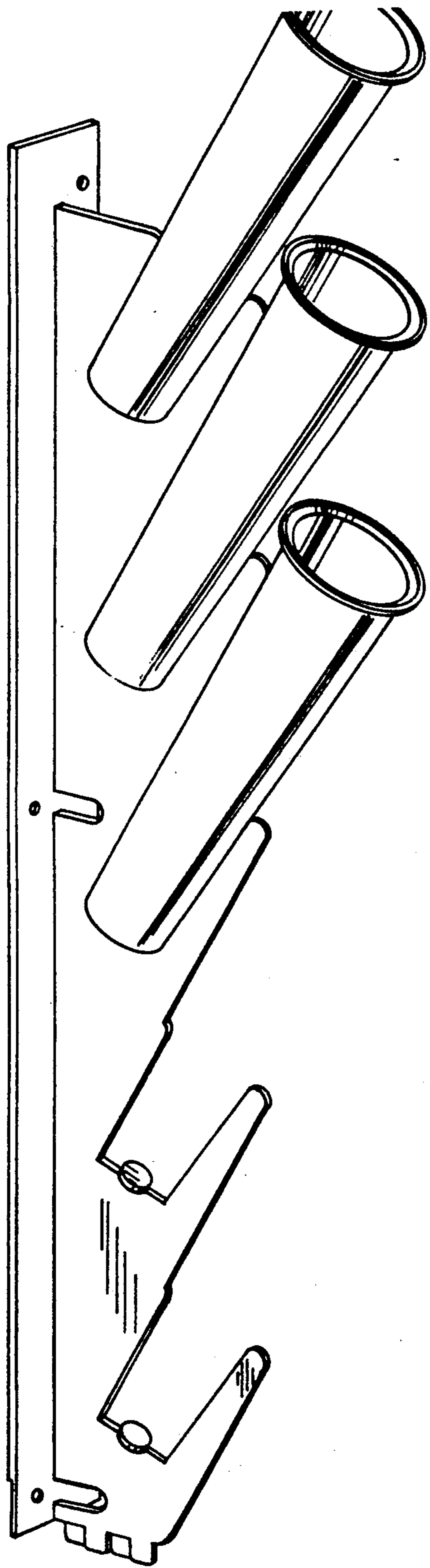


Fig. 1.

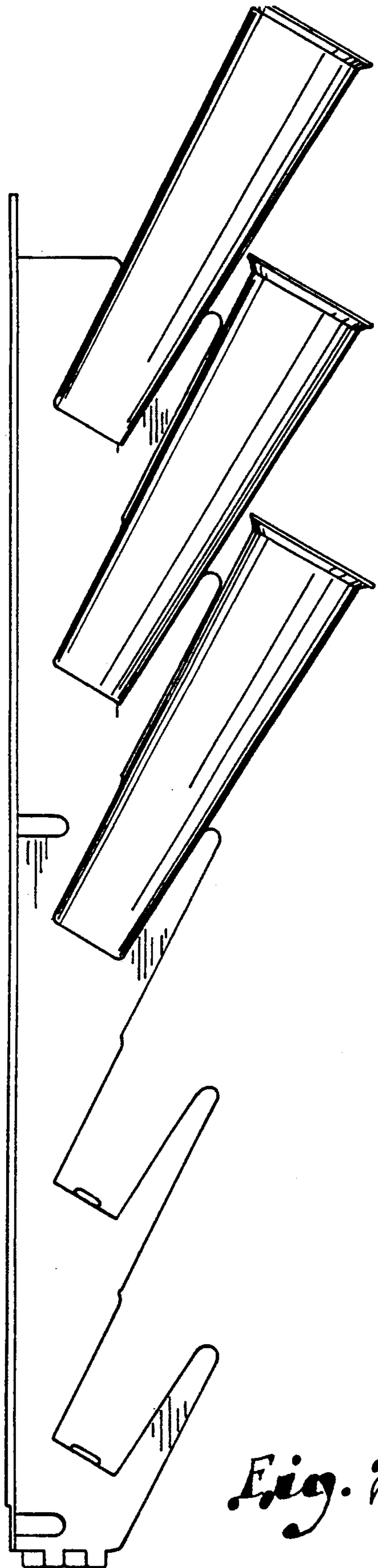


Fig. 2.

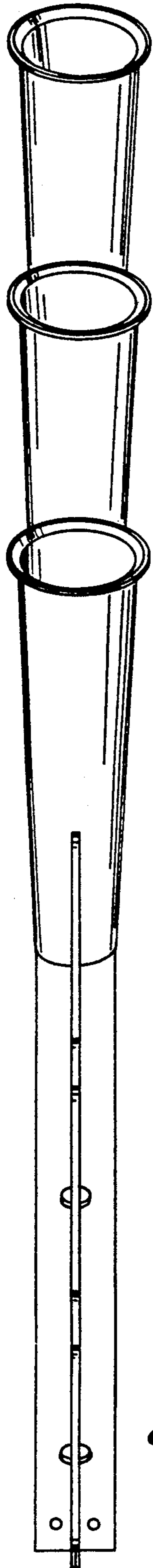


Fig. 3.

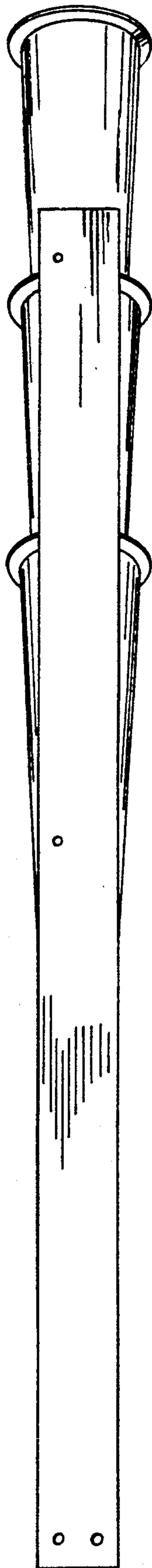


Fig. 4.

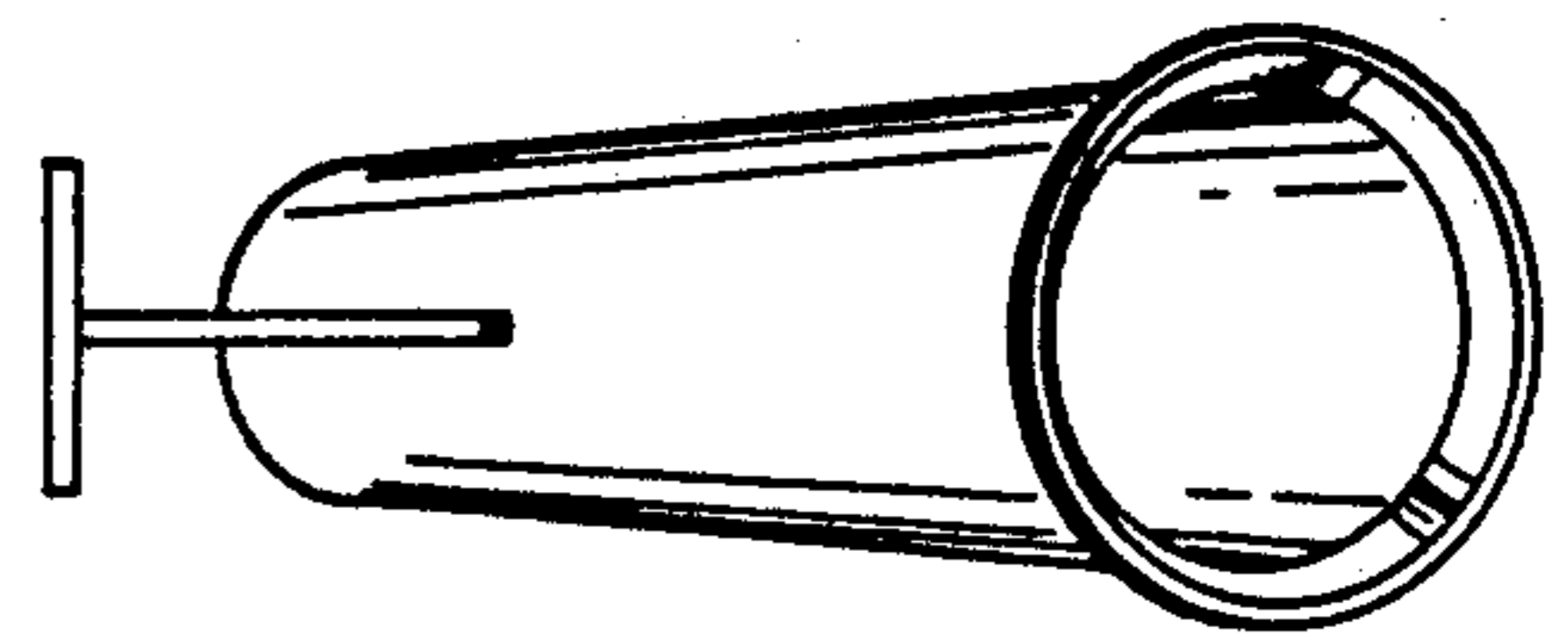


Fig. 5.

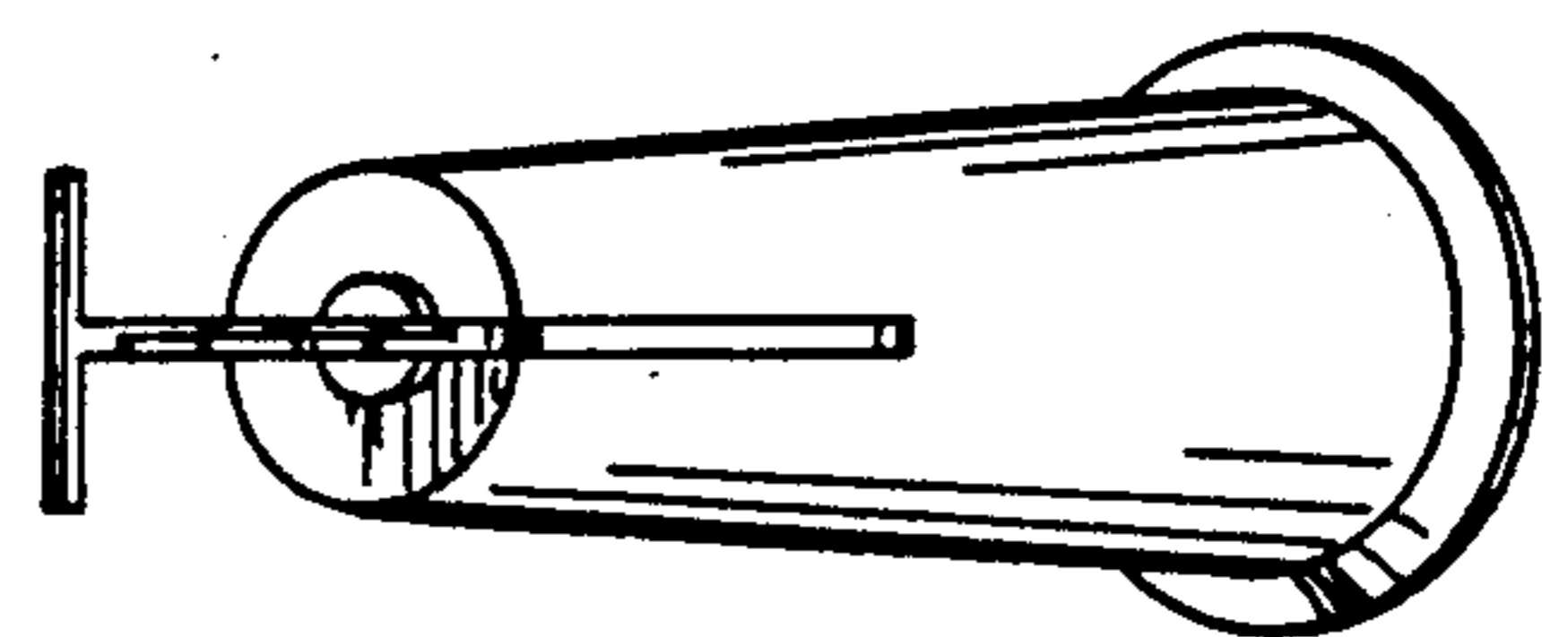


Fig. 6.