



US00D335599S

**United States Patent** [19]  
**Novak**

[11] **Patent Number: Des. 335,599**  
[45] **Date of Patent: \*\* May 18, 1993**

[54] **RAZOR HOLDER**

2,551,859 5/1951 Thompson ..... 246/176 X

[76] **Inventor: Paul F. Novak, 87 Coggeshall St.,  
Fairhaven, Mass. 02719**

*Primary Examiner*—Brian N. Vinson  
*Attorney, Agent, or Firm*—Herbert L. Bello

[\*\*] **Term: 14 Years**

[57] **CLAIM**

[21] **Appl. No.: 533,672**

The ornamental design for razor holder, as shown and described.

[22] **Filed: Jun. 5, 1990**

[52] **U.S. Cl. .... D6/526**

[58] **Field of Search ..... D6/512, 526; D3/39;  
248/176; D9/342; 206/208, 352**

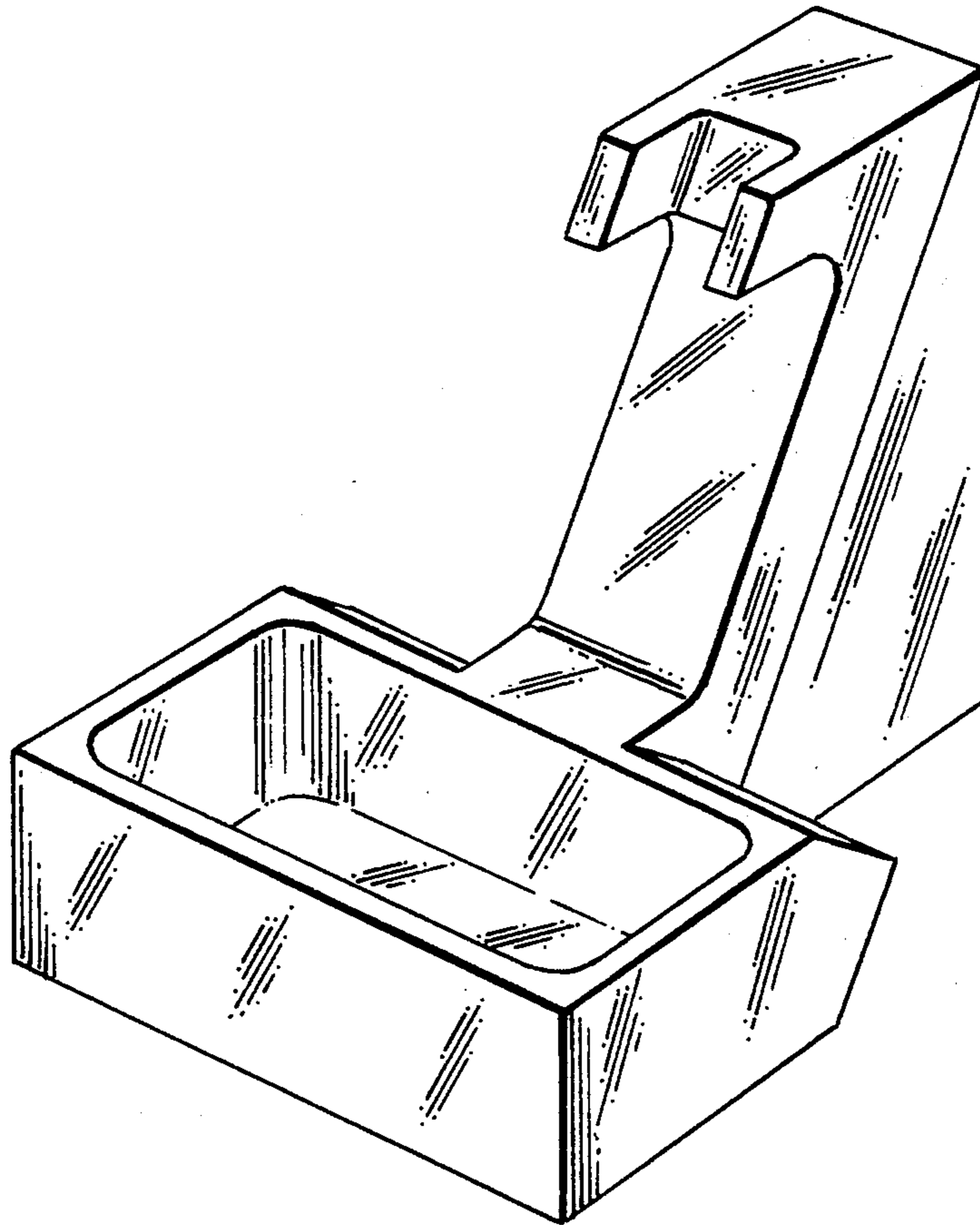
**DESCRIPTION**

FIG. 1 is a front elevational view of a razor holder showing my new design;  
FIG. 2 is a top plan view thereof;  
FIG. 3 is a right side elevational view thereof;  
FIG. 4 is a rear elevational view thereof;  
FIG. 5 is a bottom plan view thereof; and,  
FIG. 6 is a top, front, and right side perspective view thereof.

[56] **References Cited**

**U.S. PATENT DOCUMENTS**

D. 181,876 1/1958 Nolan et al. .... D6/526  
D. 323,062 1/1992 Slater ..... D3/39



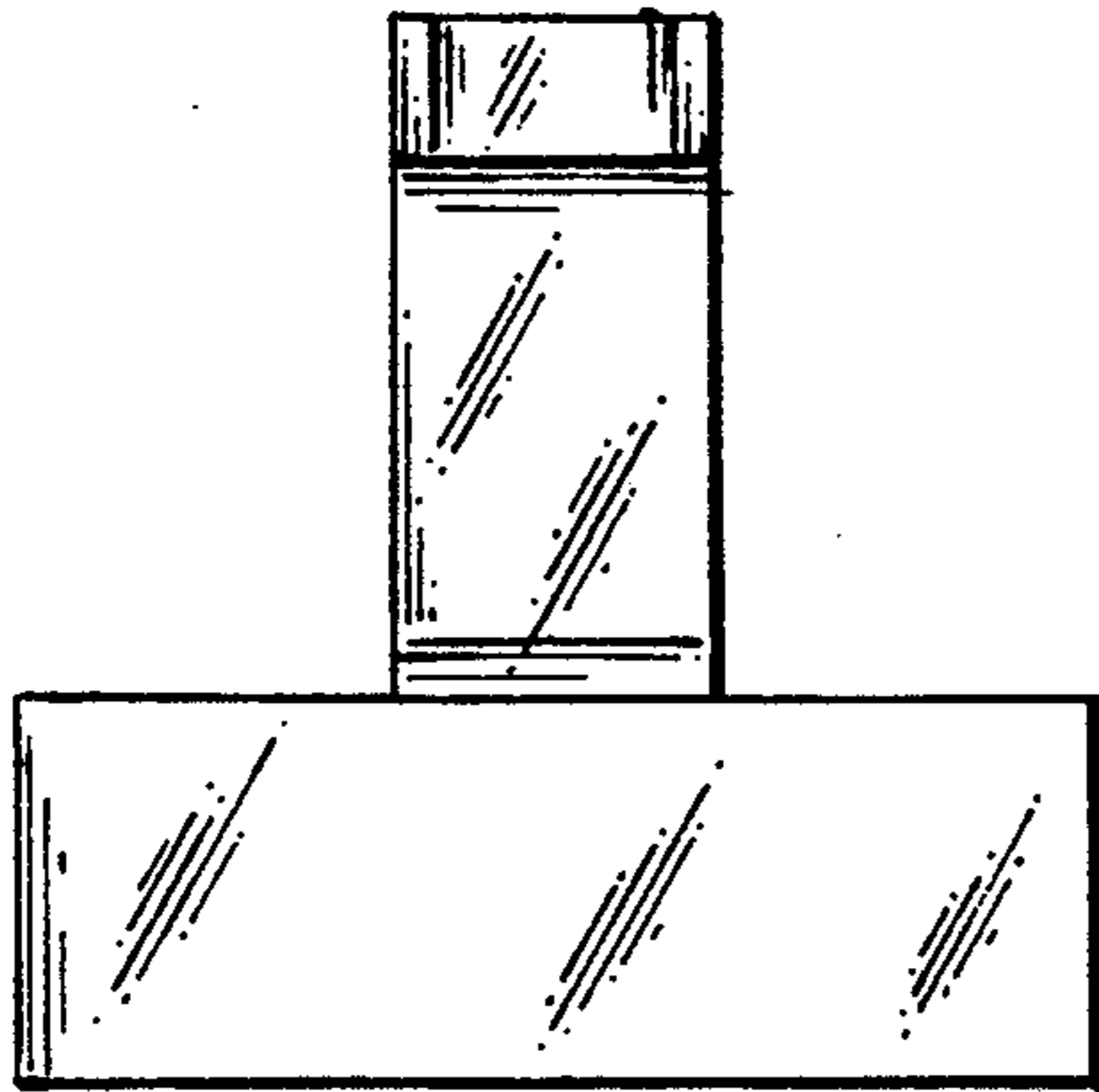


FIG. 1

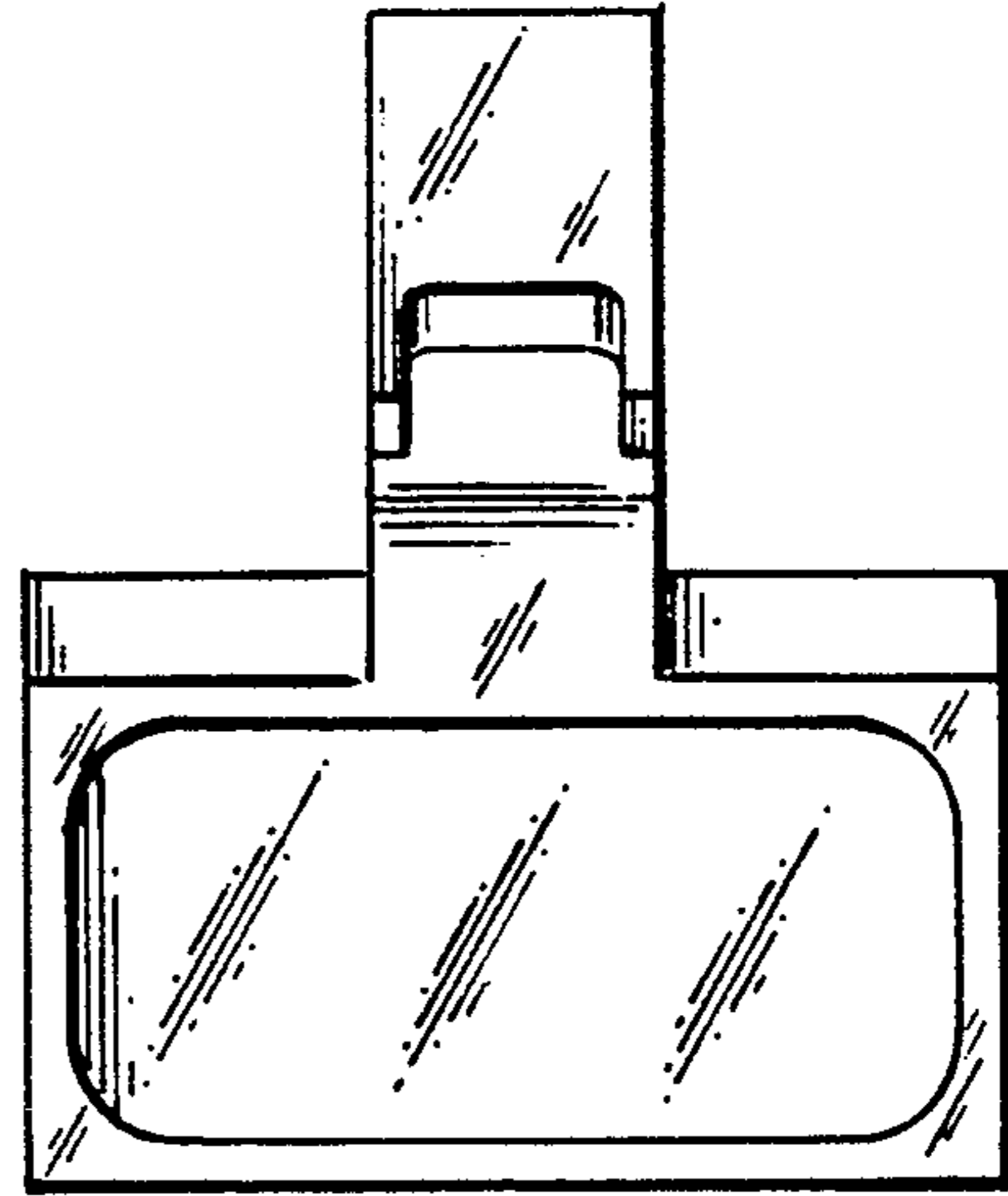


FIG. 2

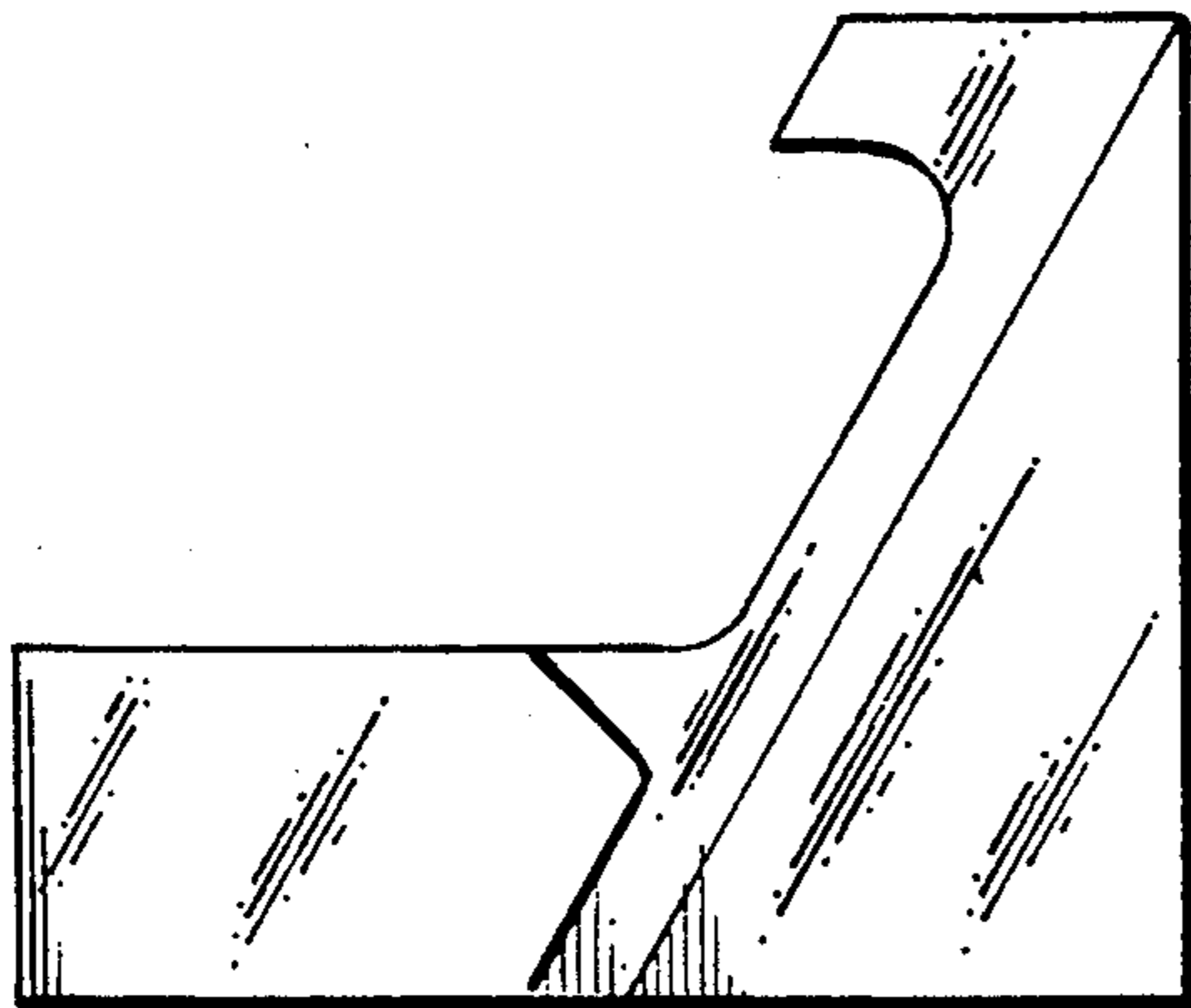


FIG. 3

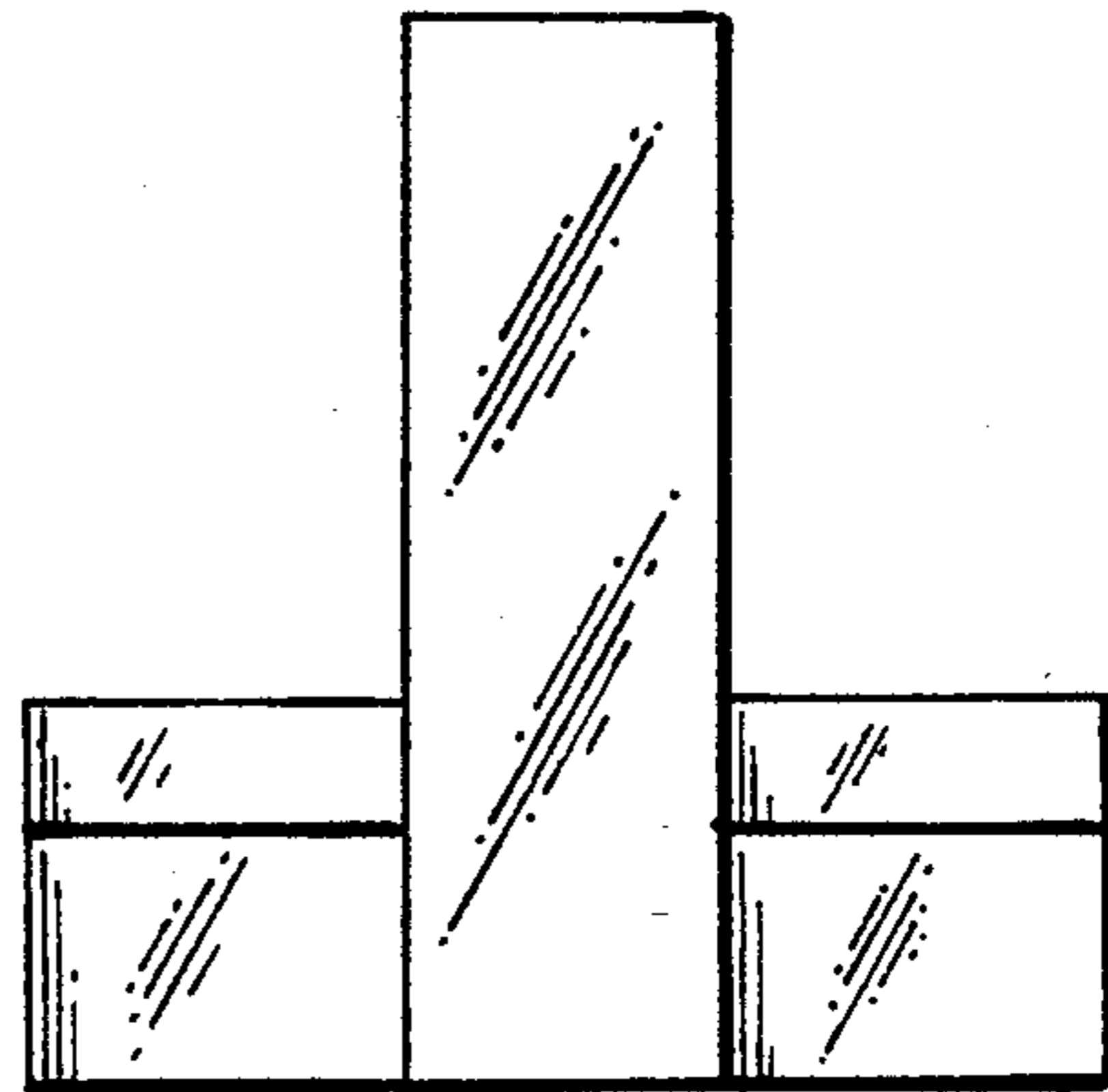


FIG. 4

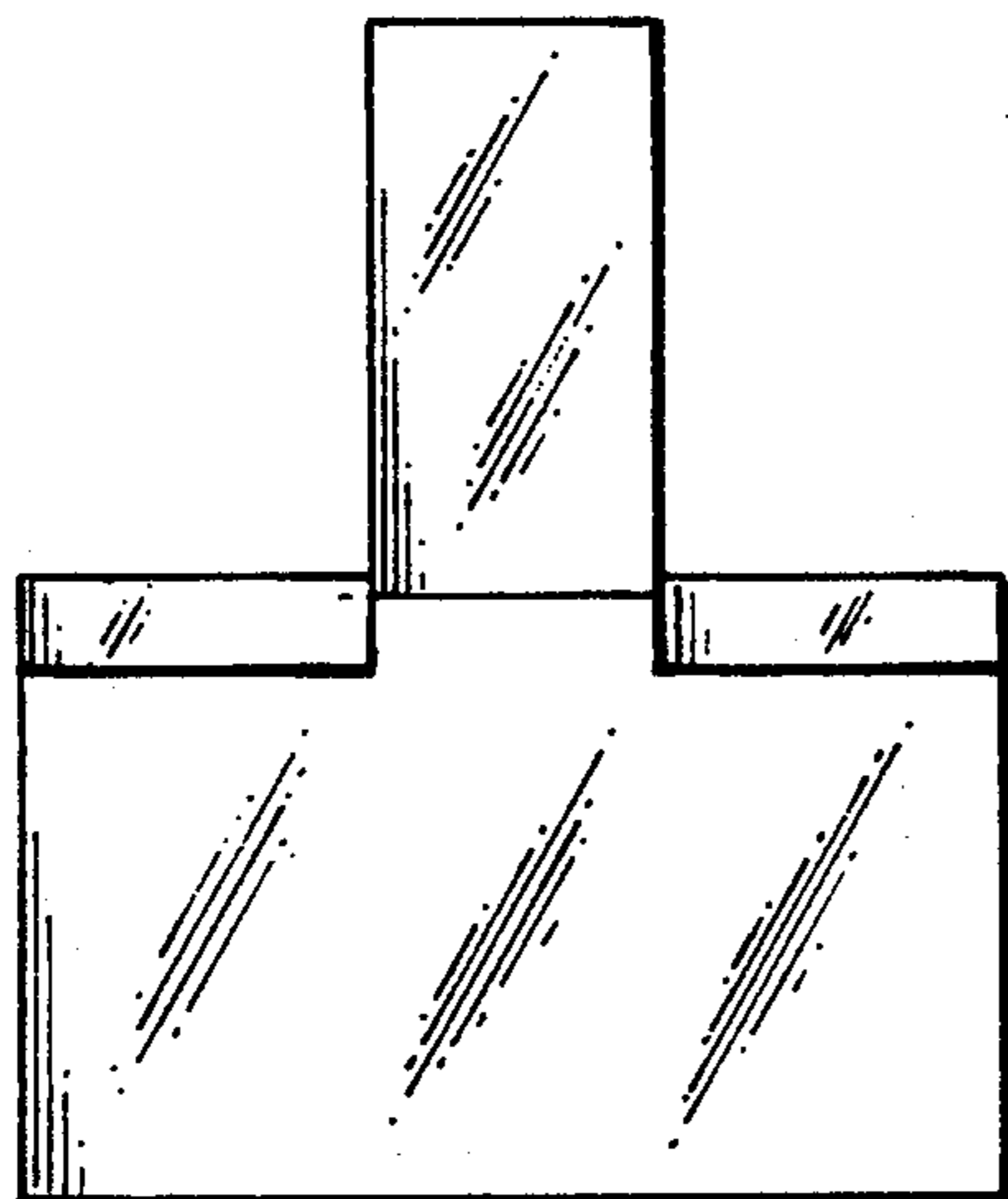


FIG. 5

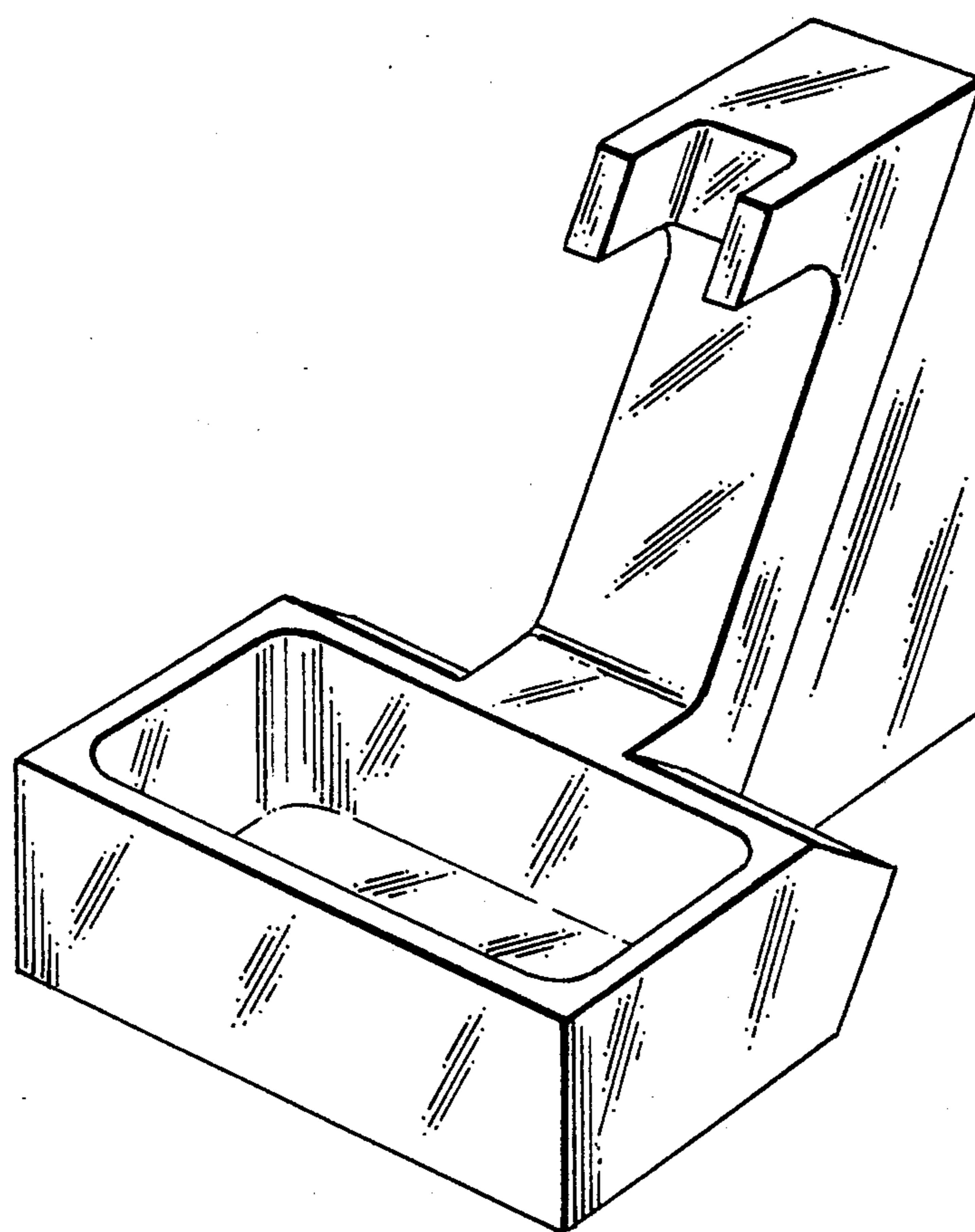


FIG. 6