



US00D335590S

United States Patent [19]

[11] Patent Number: **Des. 335,590**

Newhouse

[45] Date of Patent: **** May 18, 1993**

[54] **DESK ARRANGEMENT**

[75] Inventor: **Thomas J. Newhouse**, Grand Rapids, Mich.

[73] Assignee: **Herman Miller, Inc.**, Zeeland, Mich.

[**] Term: **14 Years**

[21] Appl. No.: **747,209**

[22] Filed: **Aug. 16, 1991**

Related U.S. Application Data

[62] Division of Ser. No. 680,267, Apr. 4, 1991, Pat. No. Des. 321,447, which is a division of Ser. No. 544,852, Jun. 27, 1990, Pat. No. Des. 318,385, which is a division of Ser. No. 57,830, Jun. 2, 1987, Pat. No. Des. 311,833.

[52] U.S. Cl. **D6/423; D6/430; D6/484**

[58] Field of Search **D6/428, 474, 499, 511; 312/281**

[56] **References Cited**

U.S. PATENT DOCUMENTS

- D. 239,902 5/1976 Goulder D6/474
- D. 273,449 4/1984 Wieczorek D6/474
- D. 291,853 9/1987 Worrell et al. D6/511
- 2,528,838 11/1950 Martino D6/474 X
- 3,290,108 12/1966 Beckman et al. 312/281

FOREIGN PATENT DOCUMENTS

- 603118 8/1978 Switzerland D6/474

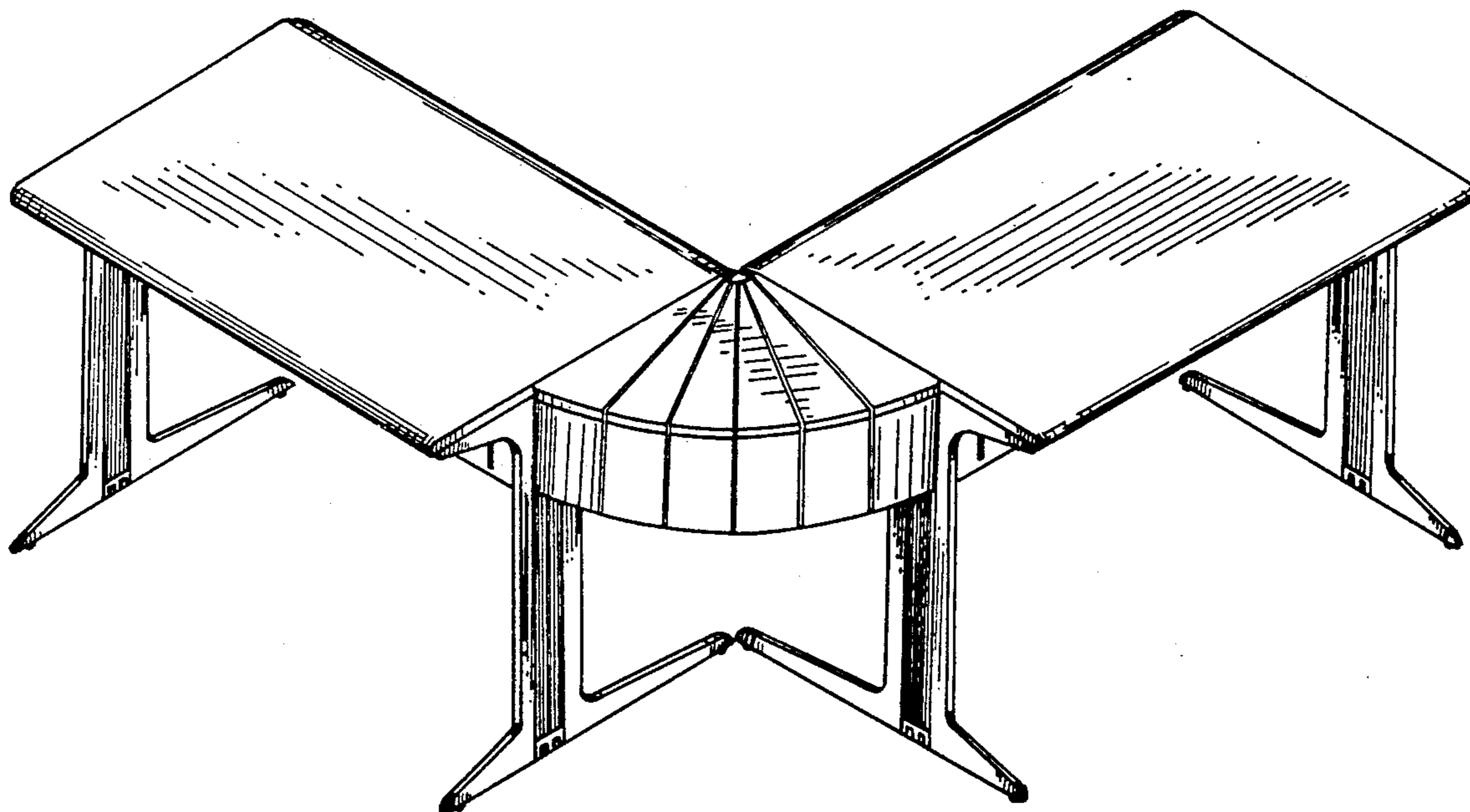
Primary Examiner—Alan P. Douglas
Assistant Examiner—Monica A. Hannon
Attorney, Agent, or Firm—Varnum, Riddering, Schmidt & Howlett

[57] **CLAIM**

The ornamental design for a desk arrangement, as shown and described.

DESCRIPTION

FIG. 1 is a rear perspective view of a desk arrangement showing my new design; and, FIG. 2 is a front perspective view of a desk arrangement showing my new design.



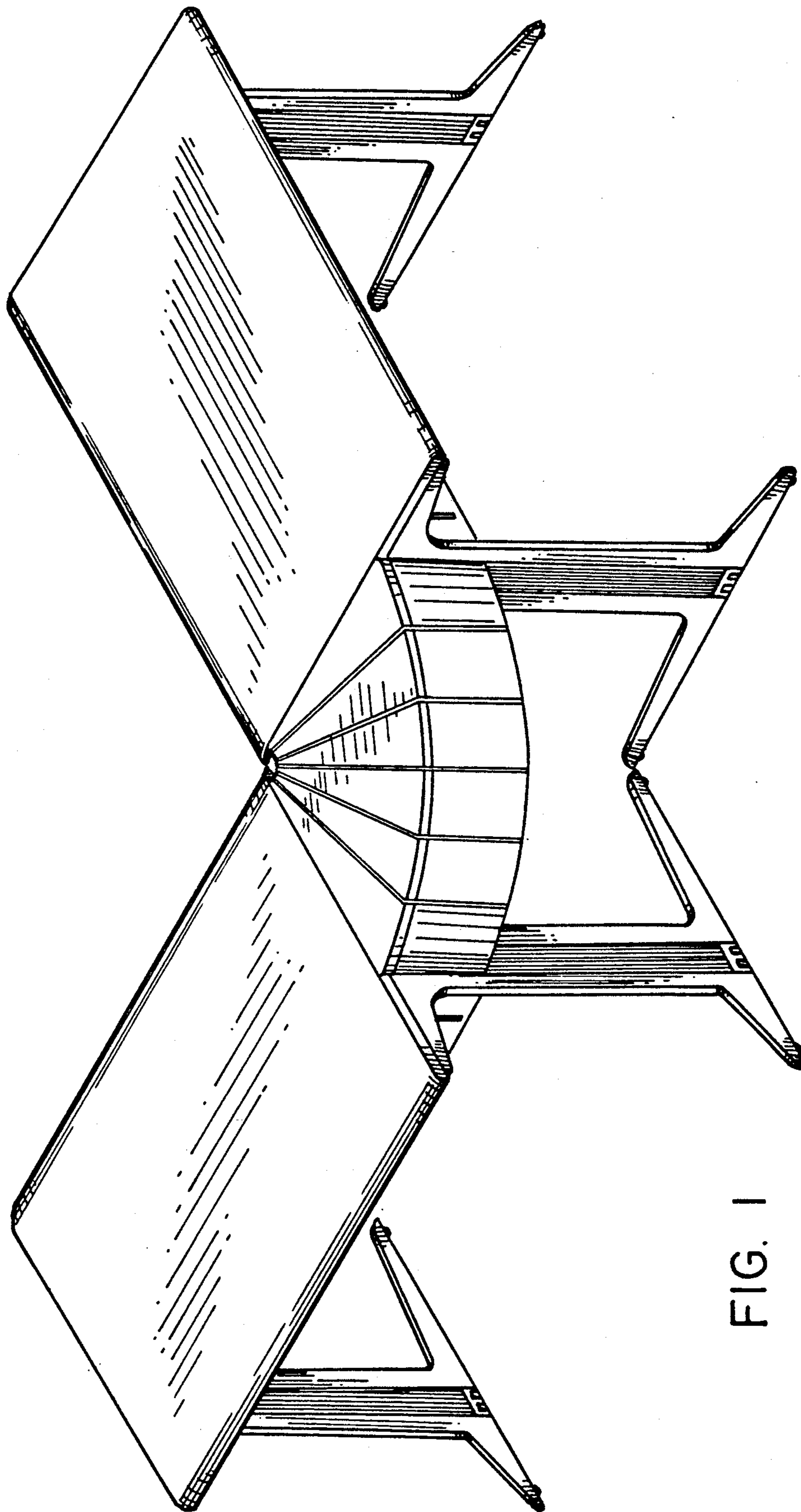


FIG. 1

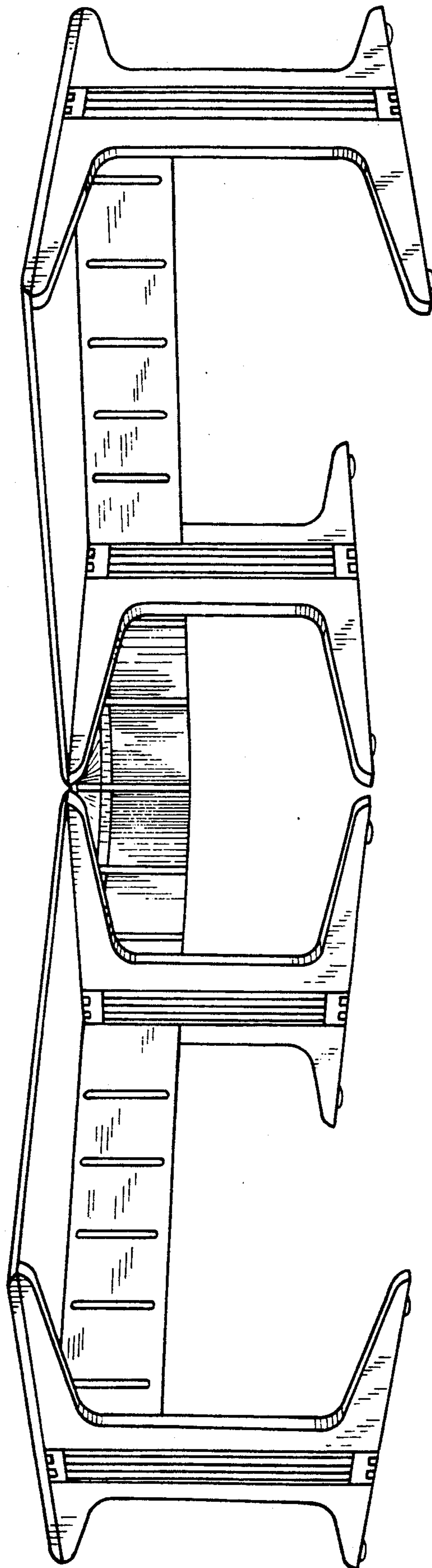


FIG. 2