



US00D335589S

United States Patent [19]

[11] Patent Number: **Des. 335,589**

Benedict

[45] Date of Patent: **** May 18, 1993**

[54] **COMBINED BED AND FIREPROOF COVERING**

2,673,989	4/1954	Veitch	5/97
3,906,556	9/1975	Schenk	.
4,152,792	5/1979	Glantz	5/414 X
4,531,330	7/1985	Phillips	.
4,719,935	1/1988	Gustafson	.

[76] Inventor: **Ronnie L. Benedict, P.O. Box 251
1440 Perkinsville Rd., Dansville,
N.Y. 14437**

[**] Term: **14 Years**

Primary Examiner—Nelson C. Holtje
Assistant Examiner—J. E. Seeger
Attorney, Agent, or Firm—Terry M. Gernstein

[21] Appl. No.: **700,923**

[57] **CLAIM**

[22] Filed: **May 16, 1991**

The ornamental design for a combined bed and fireproof covering, as shown and described.

[52] U.S. Cl. **D6/389; D6/390;
D6/383**

DESCRIPTION

[58] Field of Search **D6/382-385,
D6/389-395; D21/253; 135/102, 116; 5/112,
113, 413, 414, 418, 417, 419, 420, 93.1, 93.2, 97,
424**

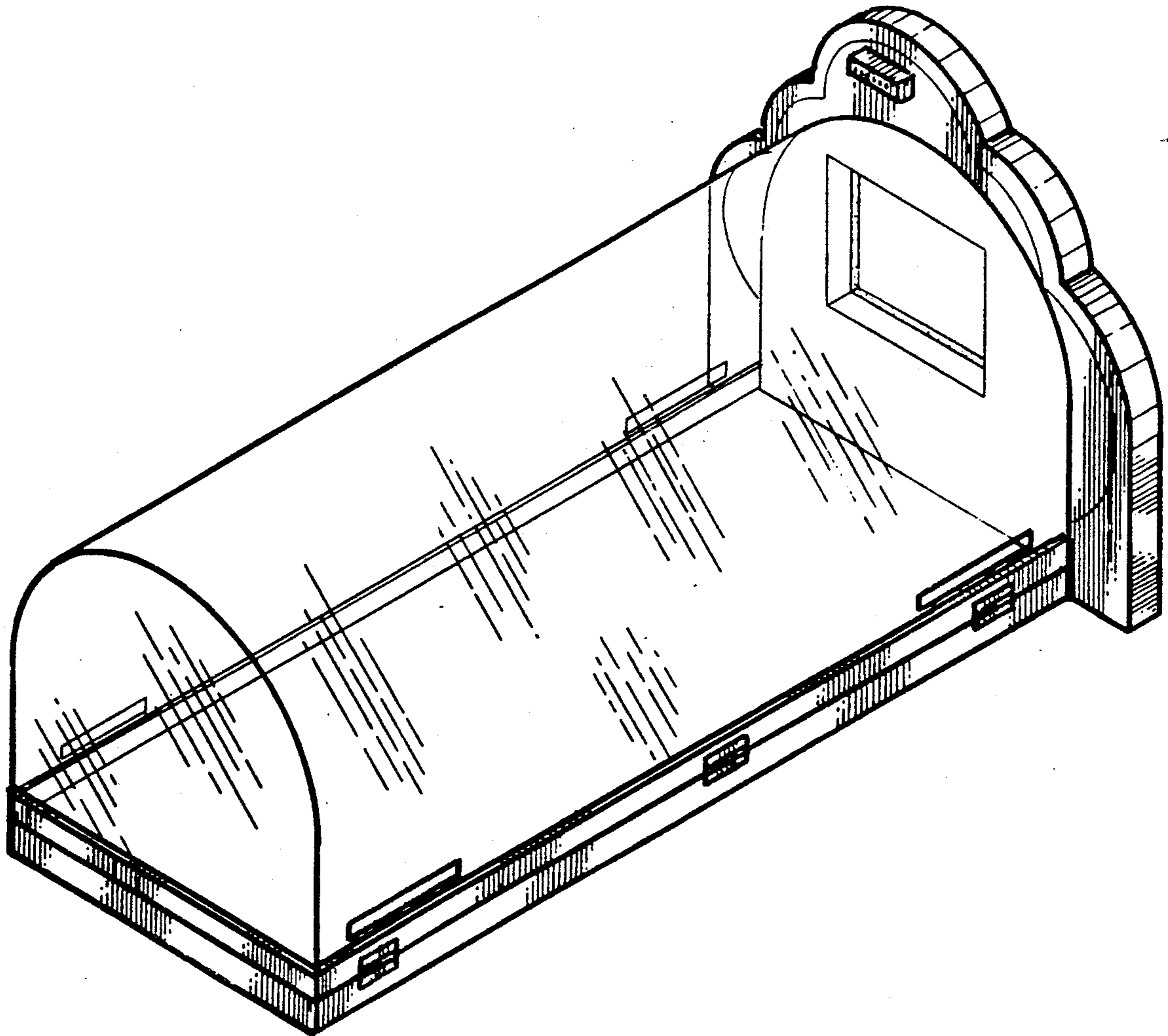
FIG. 1 is a perspective view of the combined bed and fireproof covering embodying the design of the present invention;

[56] **References Cited**

U.S. PATENT DOCUMENTS

84,381	11/1868	Seaman	135/102
408,144	7/1889	St. John	135/102 X
2,367,043	1/1945	Nelson	5/414

FIG. 2 is a front end elevational view thereof;
FIG. 3 is a rear end elevational view thereof;
FIG. 4 is a side elevational view thereof;
FIG. 5 is a side elevational view thereof;
FIG. 6 is a top plan view thereof; and,
FIG. 7 is a bottom plan view thereof.



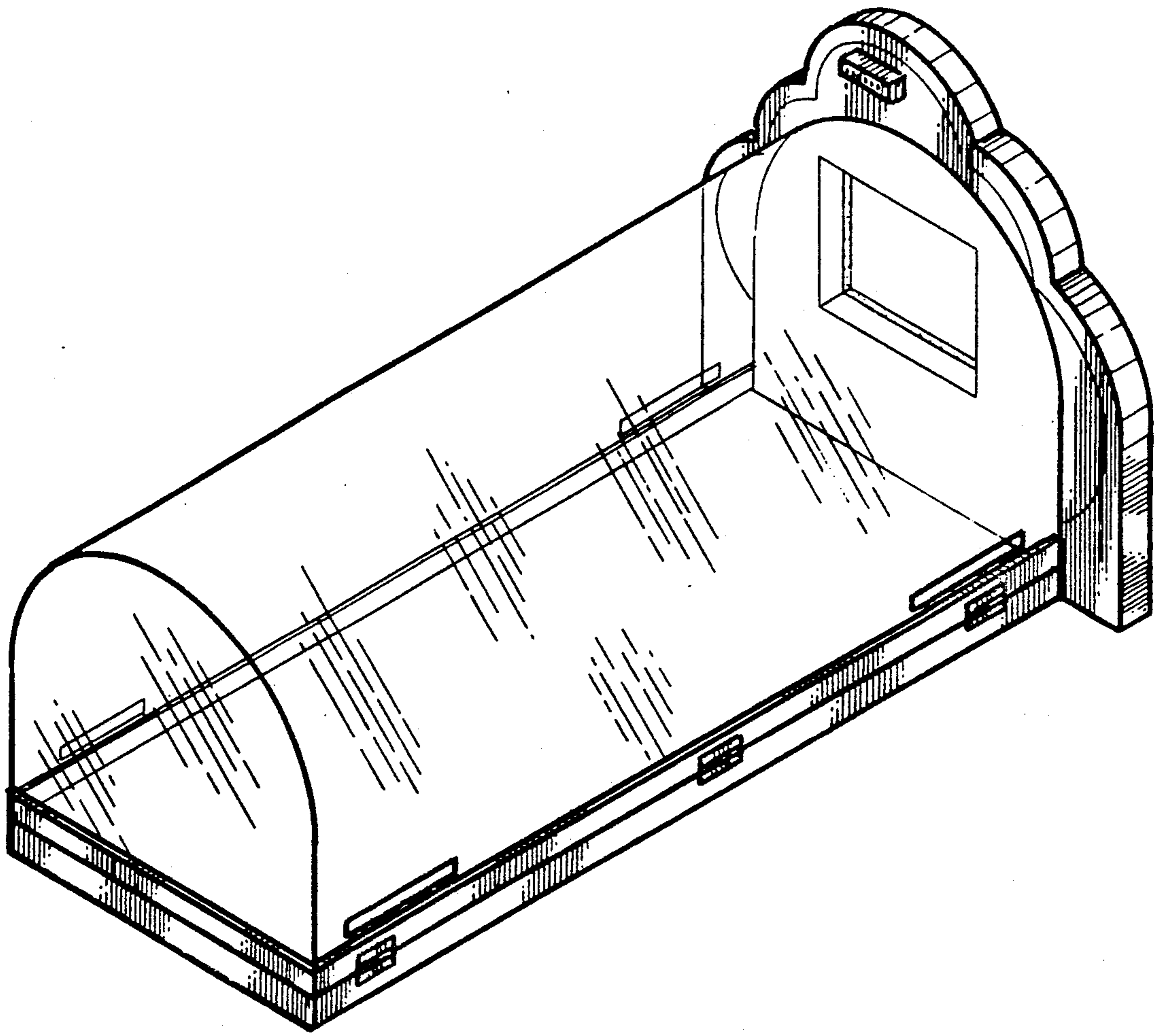


FIG. 1

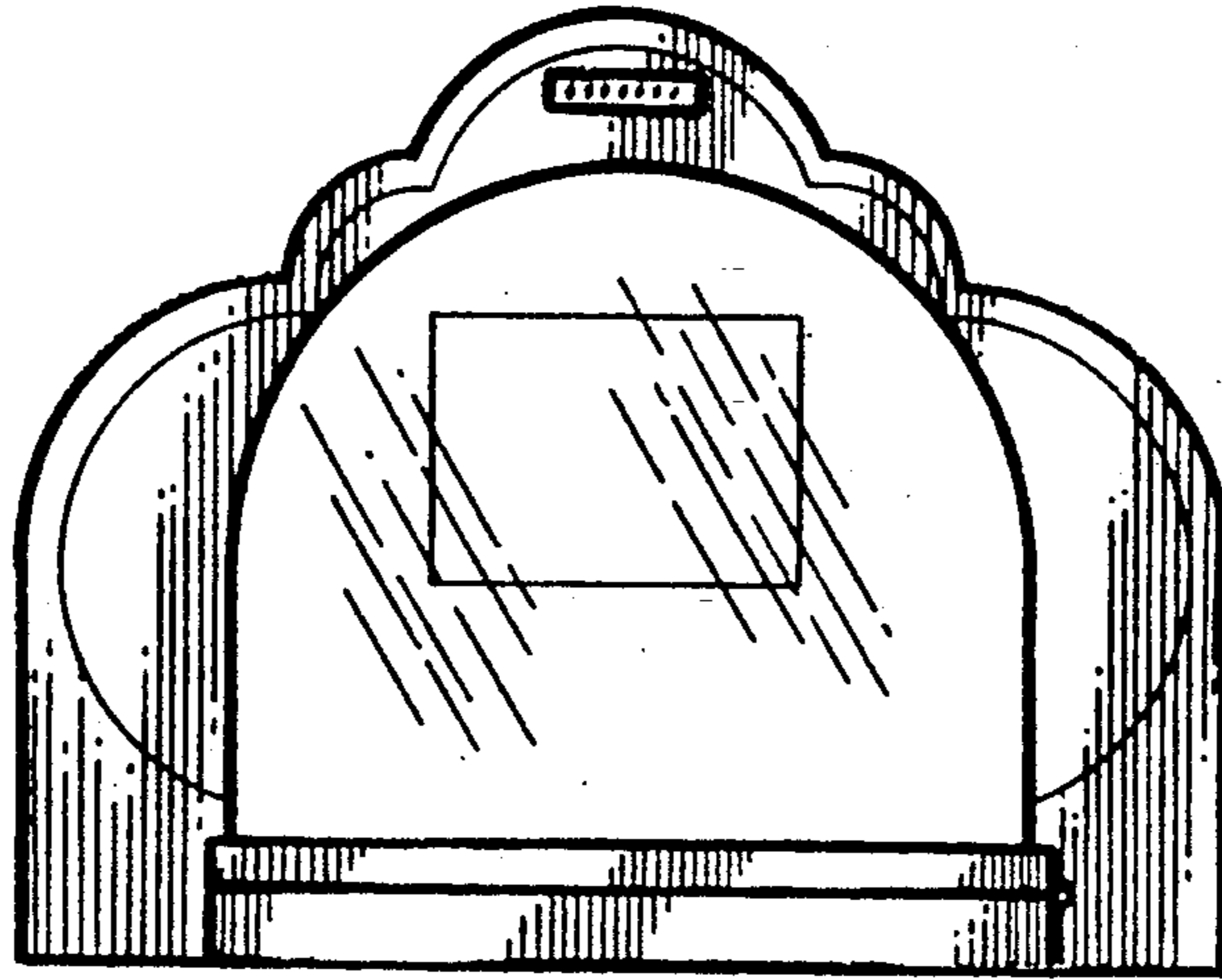


FIG. 2

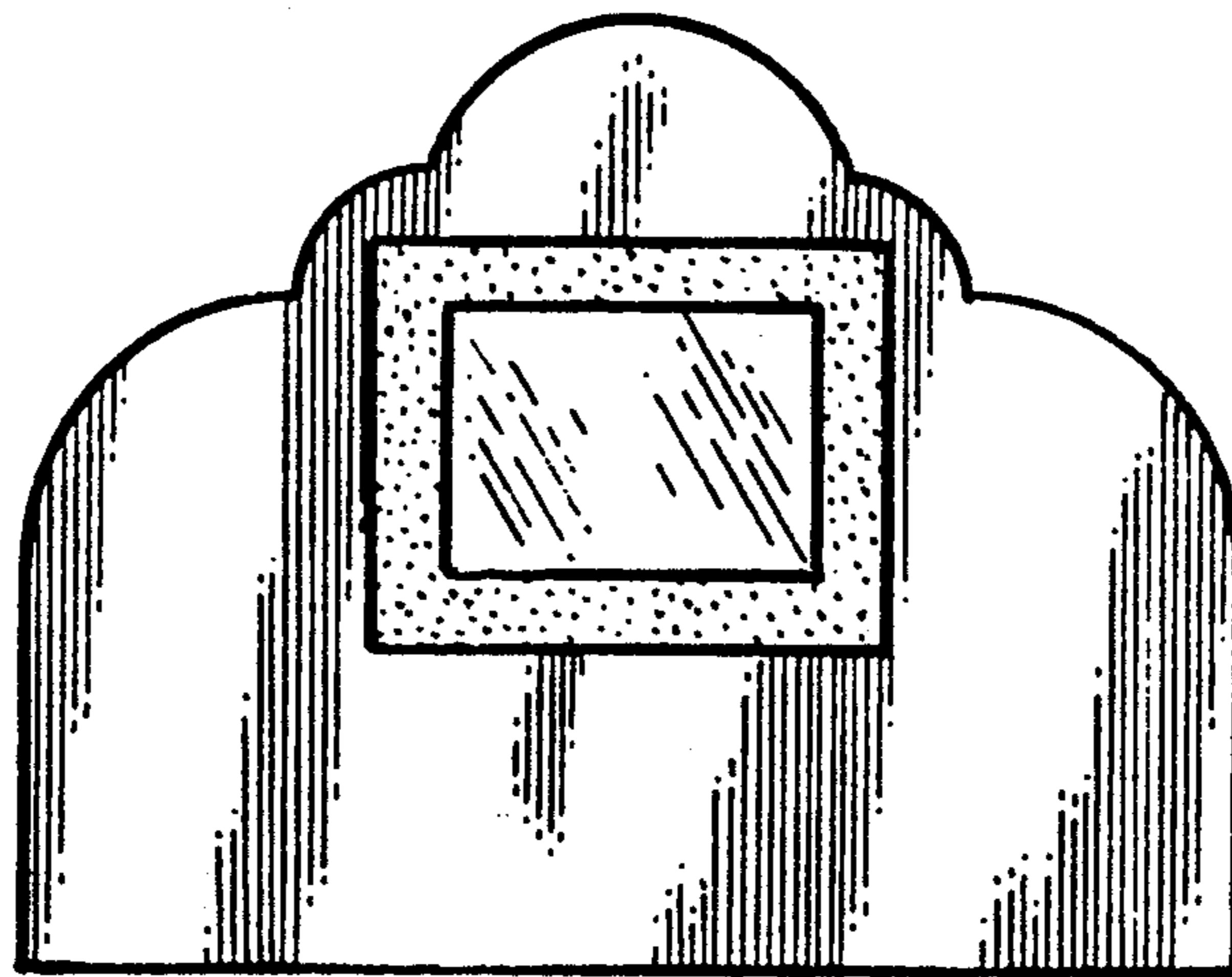


FIG. 3

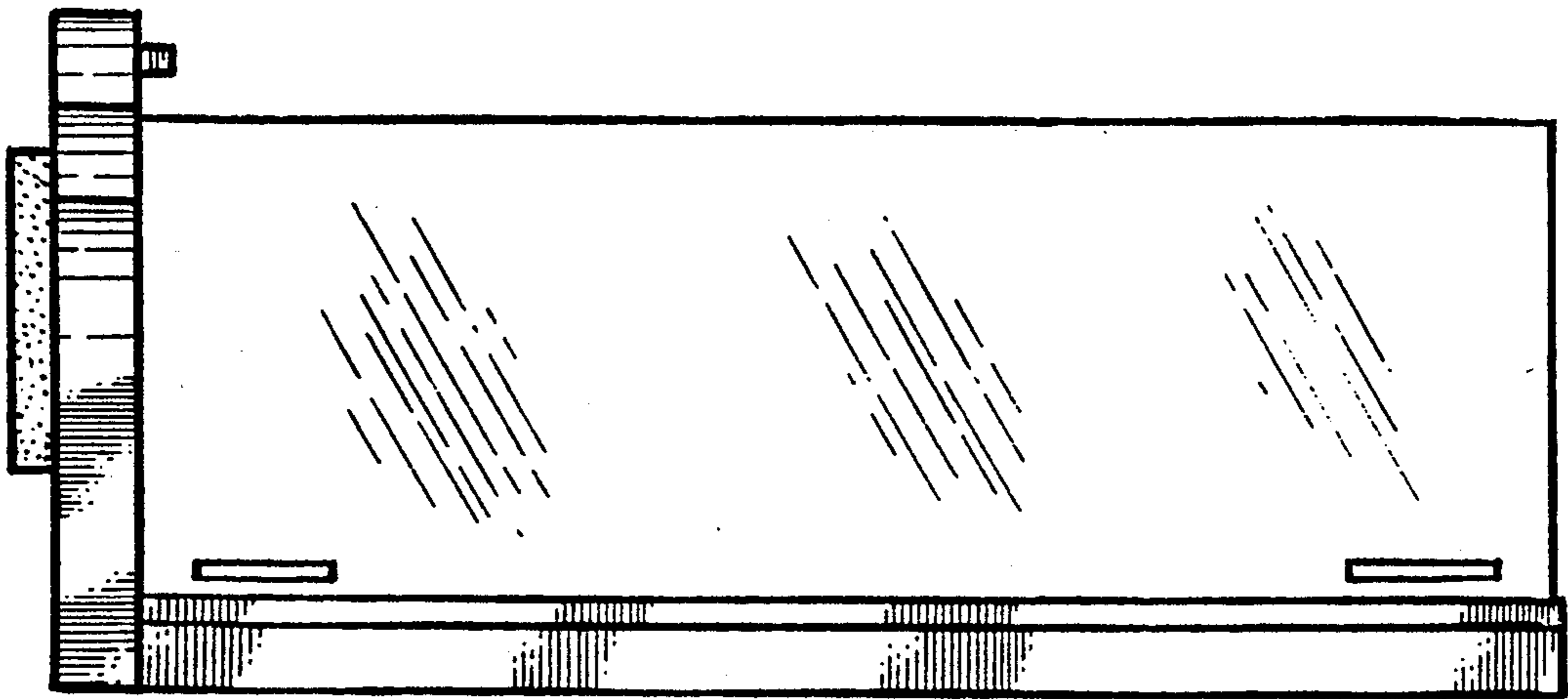


FIG. 4

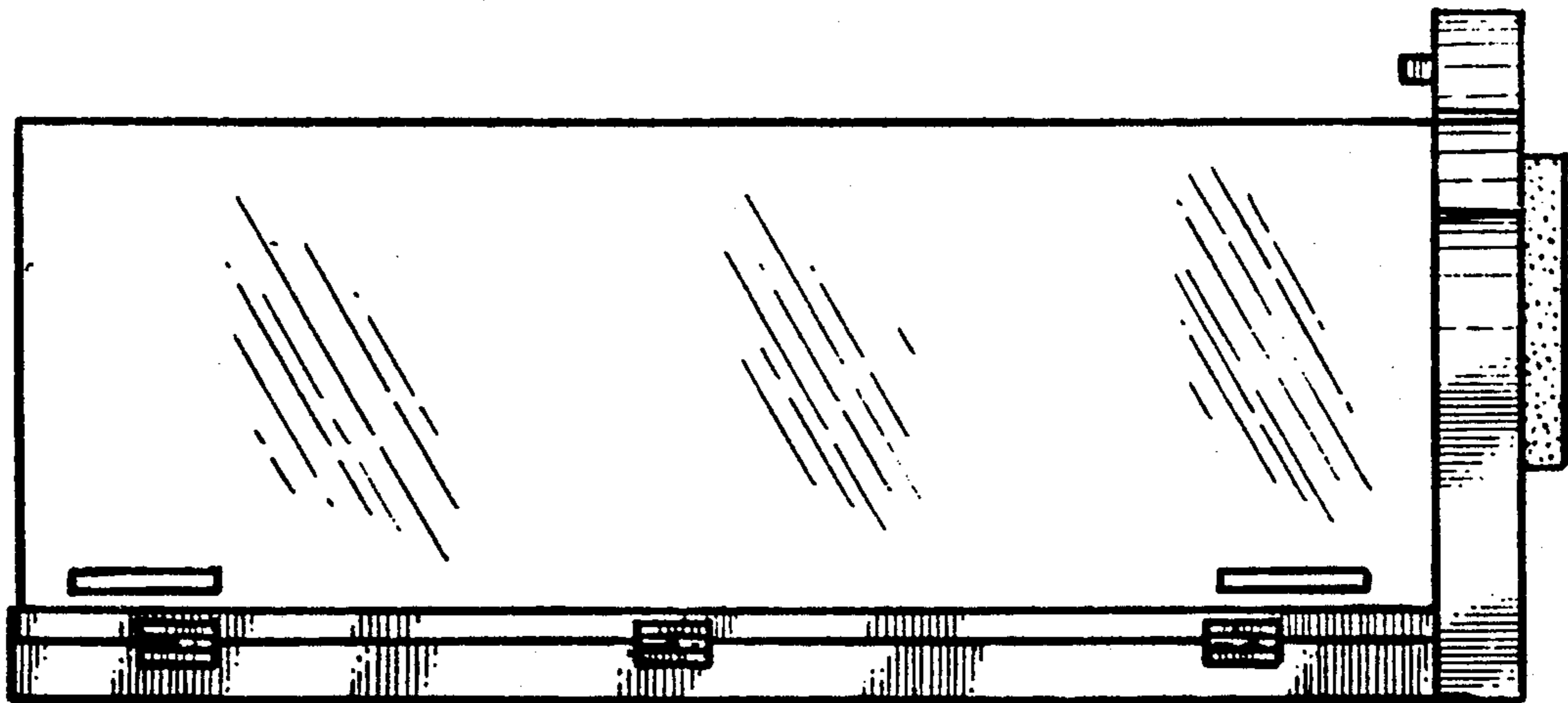


FIG. 5

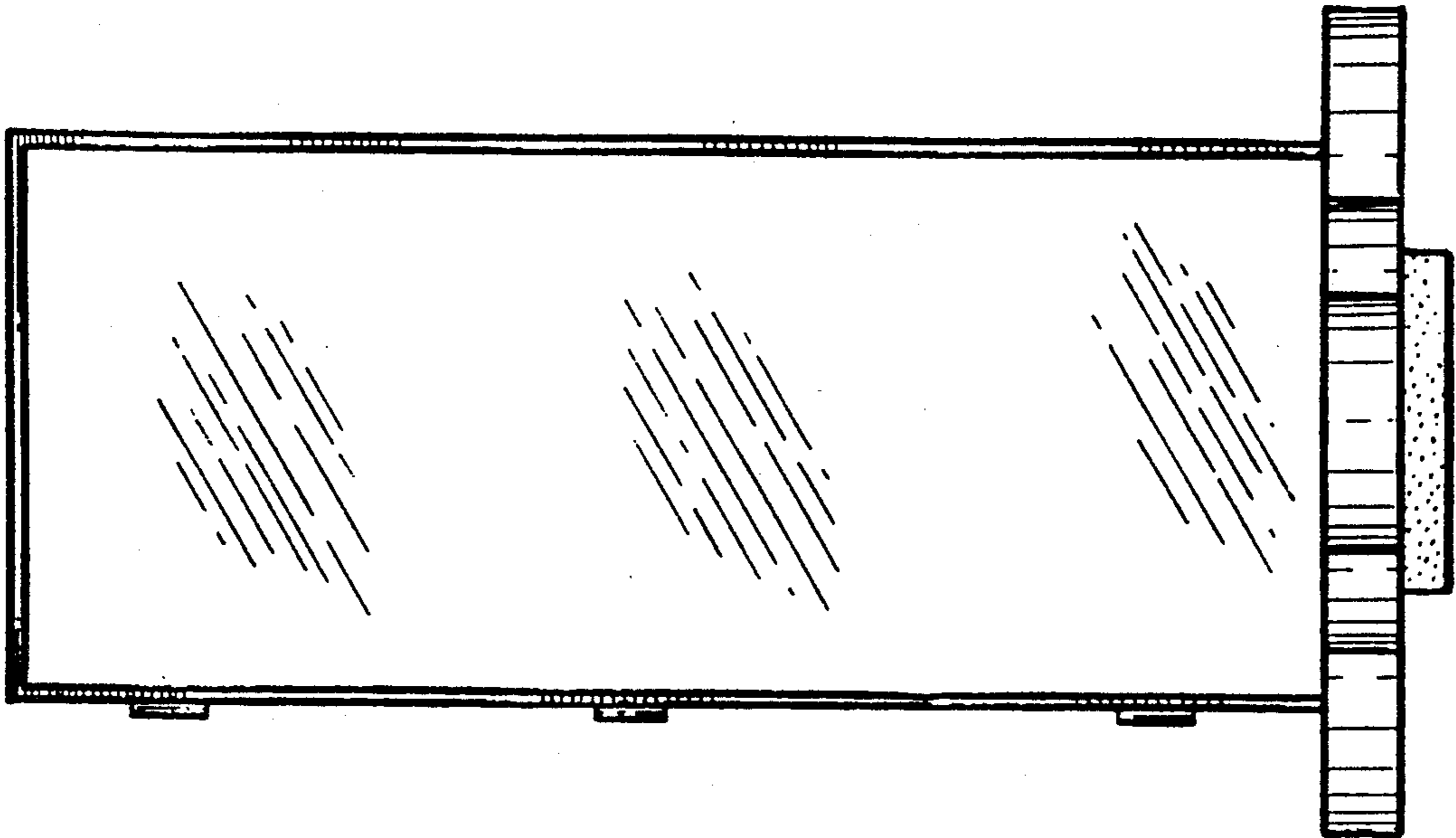


FIG. 6

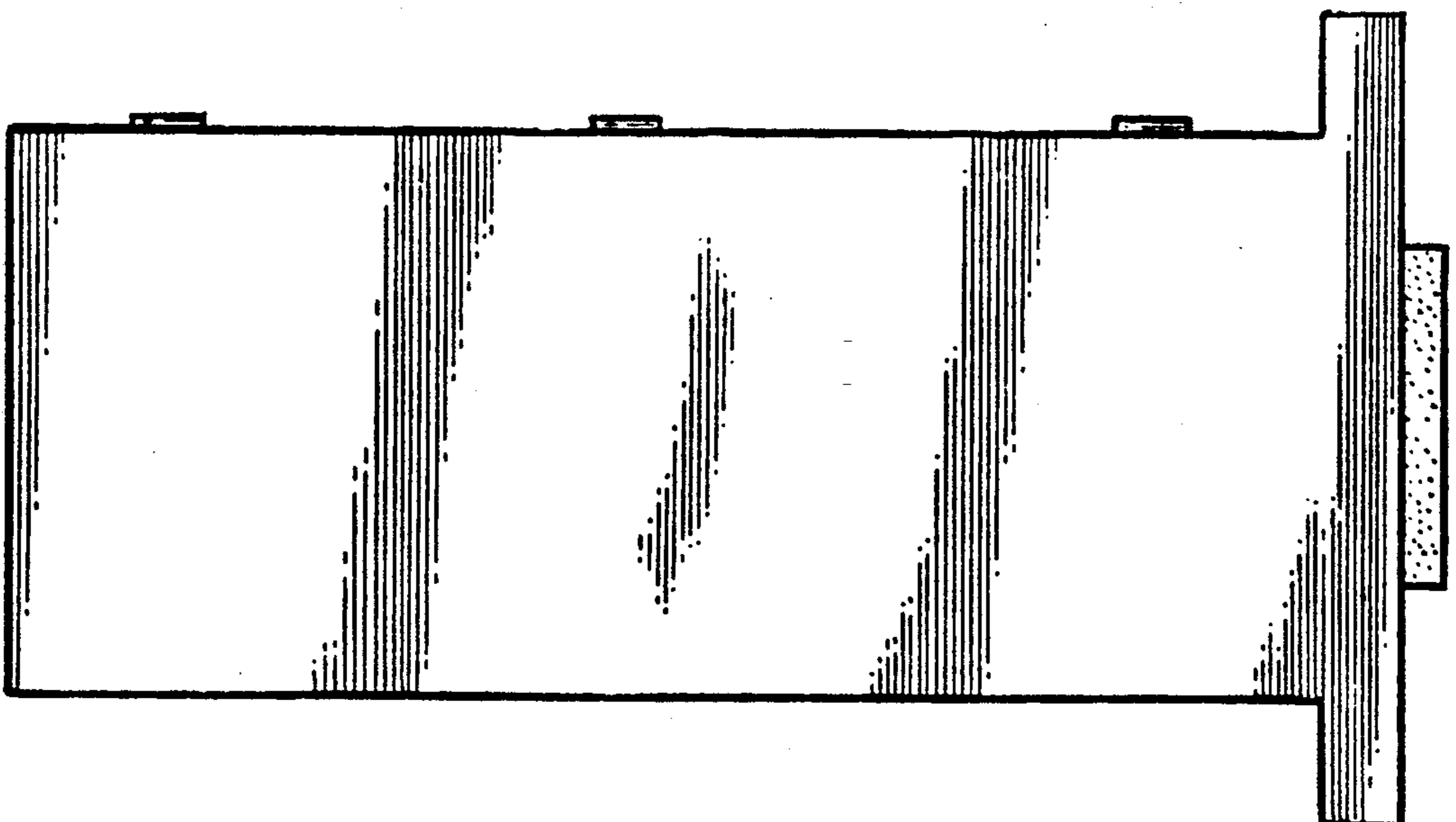


FIG. 7